



# French Door Refrigerator

FPBG2277RF

22 Cu. Ft. Counter-Depth



## Signature Features



**PureAir Ultra® Filtration System**  
Fresh air offers great taste. PureAir Ultra® Filtration removes up to 7 times more odour than baking soda to keep ingredients tasting fresh.<sup>1</sup>



**SpacePro™ Slide-Under Shelf**  
Slides under to fit a variety of tall foods and beverages to optimize your space.



**SpacePro™ Shelving System**  
Offers quick access to fresh ingredients with organizational solutions designed for space optimization like SpacePro™ Slide-Under Shelving and SpacePro™ Adjustable Crisper Bins.



**Smudge-Proof™**  
Resists fingerprints and cleans easily.

## Product Dimensions

|                                     |         |
|-------------------------------------|---------|
| Height (Including Hinges & Rollers) | 69-7/8" |
| Width (Doors)                       | 36"     |
| Depth (Including Door)              | 28-1/2" |

## More Easy-To-Use Features

**SpacePro™ Adjustable Crisper Bins**  
Optimize your space and keep food fresh with our crisper bins that adjust a variety of ways and keep produce at the ideal humidity level.

**SpacePro™ Freezer System**  
Optimize your freezer space with the PowerGlide™ Freezer Drawer and the SpacePro™ Freezer Basket with Adjustable Divider, keeping frozen foods organized and accessible.

**Automatic Alerts**  
Alerts you if the door is left open, if the temperature rises or if the power goes out so your food stays at its optimal temperature.

**SpacePro™ Full-Width Drawer**  
Keep a variety of foods fresh and accessible with our SpacePro™ Drawer.

**SpacePro™ Door Bins**  
Access fresh food from our gallon-size door bins quickly.

**PowerGlide™ Freezer Drawer**  
Quick access to frozen foods with our PowerGlide™ Freezer Drawer that glides out smoothly and fully extends.

**SpacePro™ Freezer Basket with Adjustable Divider**  
Keep frozen foods organized and accessible.

**PowerBright™ LED Lighting**  
Find fresh foods quickly with PowerBright™ LED Lighting.

Sabbath Mode (Star-K® Certified)

Available in:

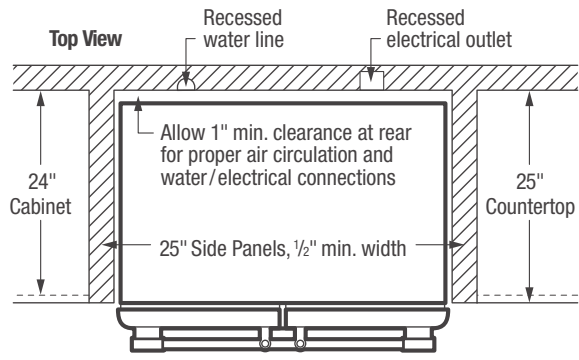
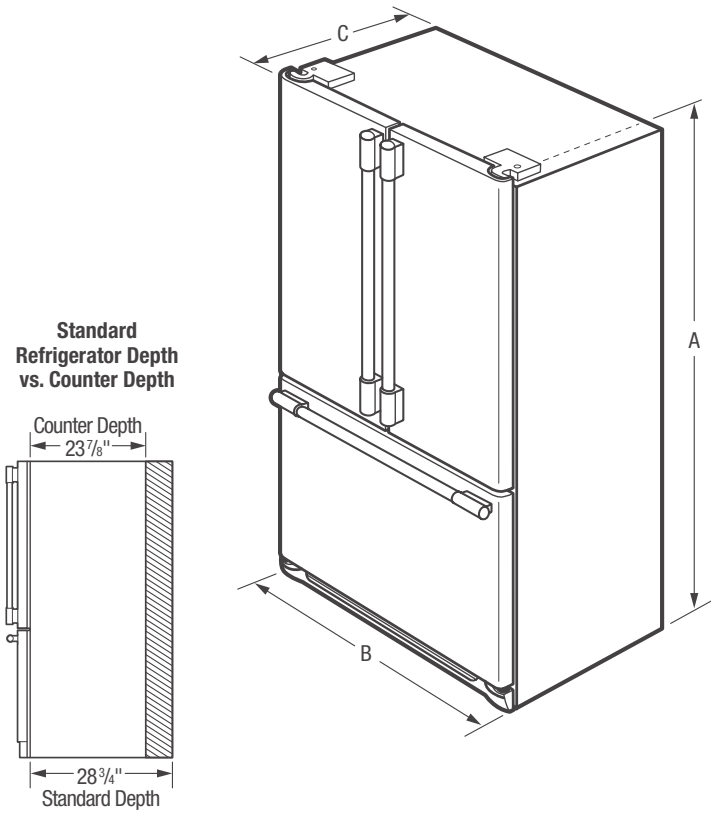


Stainless (F)

<sup>1</sup>Based on a six-hour closed door test of certain common odours in the fresh food compartment of a 21 Cu. Ft. refrigerator.

| Features  |                              |
|---|------------------------------|
| Door Design   | Square Doors                 |
| Door Handle Design                                    | Stainless Steel              |
| Cabinet Finish  | Grey                         |
| Door Stops/Door Closers                               | Yes/Yes                      |
| Door Hinge Covers                                     | Hidden                       |
| Rollers - Front/Rear                                  | Adjustable/Yes               |
| Energy Saver Plus Technology                          |                              |
| Water Filter Location                                 | Top-Right Fresh Food Section |
| Sound Package   | Quiet Design                 |
| Door Control  |                              |
| Controls  | PrecisionPro™                |
| Dispenser Design                                      |                              |
| Number of Control Buttons                             | 12                           |
| Crushed Ice/Cube Ice/Chilled Water                    |                              |
| Ice Option/Freeze Option                              | No/PowerPlus® Freeze         |
| Display On/Off Option                                 |                              |
| Lock/Light  |                              |
| Temp/Door Ajar/Power Failure Alerts                   | Yes/Yes/Yes                  |
| Water Filter Change Indicator Light                   | Yes                          |
| Air Filter Change Indicator Light                     | Yes                          |
| Refrigerator Features                                 |                              |
| Lighting  | PowerBright™ LED             |
| Water Filter Type                                     | PureSource Ultra® II         |
| Air Filter Type                                       | PureAir Ultra®               |
| Quarter-Width Fixed Shelves                           |                              |
| Half-Width Fixed Shelves                              | 1                            |
| Quarter-Width Sliding Shelves                         |                              |
| Half-Width Sliding Shelves                            | 3 SpacePro™                  |
| Cantilever Shelves                                    | Yes                          |
| SpacePro™ Full-Width Drawer                           | 1                            |
| Hanging Wine Rack/Can Dispenser                       | 1 Clear/ No                  |
| SpacePro™ Adjustable Crisper Drawer/Humidity Controls | 2 Clear / 2                  |
| Dairy Compartment                                     | 1 Clear (Right Door)         |
| SpacePro™ Fixed Door Bins                             | 2 White (1 per door)         |
| 2-Litre Fixed Door Bins                               |                              |
| Gallon Adjustable Door Bins                           | 2 Clear                      |
| 2-Litre Adjustable Door Bins                          |                              |
| Dispenser Bin   |                              |
| Non-Slip Bin Liner/Bottle Retainers                   | 4 Grey/No                    |
| Freezer Features                                      |                              |
| PowerGlide™ Pull-Out Drawer                           | Yes                          |
| Sliding Full-Width Freezer Baskets                    | 2 SpacePro™                  |
| Basket Dividers                                       | 1 (Bottom Basket)            |
| Lighting  | PowerBright™ LED             |
| Automatic Ice Maker                                   | Yes                          |
| Certifications  |                              |
| Sabbath Mode (Star-K® Certified)                      | Yes                          |
| Specifications  |                              |
| Total Capacity (Cu. Ft.)                              | 22.6                         |
| Refrigerator Capacity (Cu. Ft.)                       | 15.7                         |
| Freezer Capacity (Cu. Ft.)                            | 6.9                          |
| Power Supply Connection Location                      | Right Bottom Rear            |
| Water Inlet Connection Location                       | Left Bottom Rear             |
| Voltage Rating  | 120V / 60Hz / 15A            |
| Connected Load (kW rating) @ 120 Volts¹               | 1.02                         |
| Amps @ 120 Volts                                      | 8.5                          |
| Minimum Circuit Required (Amps)                       | 15                           |
| Shipping Weight (Approx.)                             | 345 Lbs.                     |

<sup>1</sup>For use on adequately wired 120V, dedicated circuit having 2-wire service with a separate ground wire. Appliance must be grounded for safe operation.



NOTE: For planning purposes only. Always consult local and national electric and plumbing codes. Refer to Product Installation Guide for detailed installation instructions on the web at [frigidaire.ca](http://frigidaire.ca).



| Product Dimensions                              |               |
|---|---------------|
| A - Height (Incl. Hinges & Rollers)             | 69-7/8"       |
| B - Cabinet Width / Door Width                  | 35-7/8" / 36" |
| C - Depth (Incl. Door)                          | 28-1/2"       |
| Depth with Door Open 90°                        | 42-1/2"       |
| Depth with Drawer Fully Extended (Incl. Handle) | 45-1/2"       |

| "Built-In Look" Cutout Dimensions |         |
|-----------------------------------|---------|
| Height (Incl. Hinges and Rollers) | 70-1/4" |
| Width                             | 36"     |
| Depth                             | 25"     |

Accessories information available on the web at [frigidaire.ca](http://frigidaire.ca)