



French Door Refrigerator

FPBS2777RF

27 Cu. Ft. Standard-Depth



Product Dimensions

Height (Including Hinges & Rollers)	69-7/8"
Width (Doors)	36"
Depth (Including Door)	33-3/8"

More Easy-To-Use Features

SpacePro™

Adjustable Crisper Bins

Keeps foods fresh and accessible. Adjusts to 3 different configurations — stacked, diagonal, side-by-side.

SpacePro™ Slide-Under & Flip-Up Shelves

Adjusts to fit a variety of foods and beverages, big or small, for quick access.

SpacePro™ Full-Width Drawer

Keep a variety of foods fresh and easily accessible with our SpacePro™ Drawer.

SpacePro™ Door Bins

Access fresh food from our gallon-size door bins quickly.

SpacePro™ Freezer System

Optimize your freezer space with our SpacePro™ Freezer System featuring the PowerGlide™ Freezer Drawer and SpacePro™ Freezer Basket with Adjustable Divider that keeps frozen foods organized and accessible.

Two Ice Makers

Be ready for any occasion with a second ice maker.

PowerGlide™ Freezer Drawer

Frozen foods at your fingertips with our PowerGlide™ Freezer Drawer that glides out smoothly and fully extends.

SpacePro™ Freezer Basket with Adjustable Divider

Keep frozen foods organized and accessible.

Sabbath Mode (Star-K® Certified)

Available in:



Stainless (F)

¹Based on a six-hour closed door test of certain common odours in the fresh food compartment of a 21 Cu. Ft. refrigerator.

²PureSource® Ultra II water filters remove 99.3% of lead and 99.99% of cysts from your household water. Tested and certified by NFS International. See performance data sheet for individual contaminants and reduction performance.

Signature Features



PureAir® Filtration System

Fresh air offers great taste. PureAir® Filtration removes up to 7 times more odour than baking soda to keep ingredients tasting fresh by removing odour particles with fast-acting, highly absorbent carbon technology.¹



SpacePro™ Shelving System

Offers quick access to fresh ingredients with organizational solutions designed for space optimization like SpacePro™ Slide-Under & Flip-Up Shelves and SpacePro™ Adjustable Crisper Bins.



Smudge-Proof™ Stainless Steel

Resists fingerprints and cleans easily.



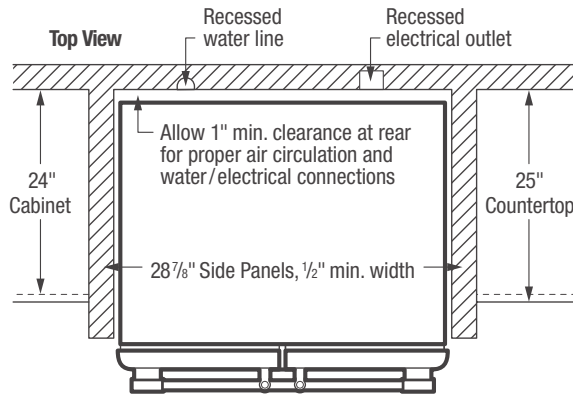
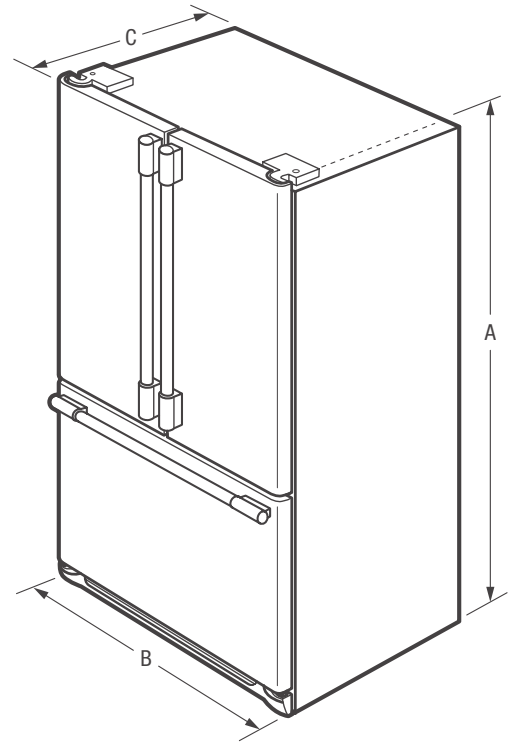
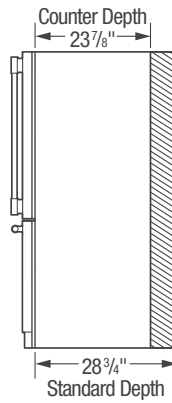
PureSource Ultra II® Water Filtration

Drink and cook with pure, clean water. Get instant access to clean, pure water straight from your refrigerator with PureSource Ultra II® Filtration.²

Features	
Door Design	Square Doors
Door Handle Design	Stainless Steel
Cabinet Finish	Grey
Door Stops/Door Closers	Yes/Yes
Door Hinge Covers	Hidden
Rollers - Front/Rear	Adjustable/Yes
Energy Saver Plus Technology	Yes
Water Filter Location	Top-Right Fresh Food Section
Sound Package	Quiet Design
Dispenser	
Controls	PrecisionPro™
Dispenser Design	Flush, Single-Paddle
Number of Dispenser Buttons	16
Crushed Ice/Cube Ice/Chilled Water	Yes/Yes/Yes
Ice Option/Freeze Option	No/PowerPlus® Freeze
Display On/Off Option	
Lock/Light	No/Yes
Temp/Door Ajar/PowerFailure Alerts	Yes/Yes/Yes
Water Filter Change Indicator Light	Yes
Air Filter Change Indicator Light	Yes
Refrigerator Features	
Lighting	PowerBright™ LED
Water Filter Type	PureSource Ultra II*
Air Filter Type	PureAir®
Quarter-Width Fixed Shelves	1
Half-Width Fixed Shelves	1
Quarter-Width Sliding Shelves	
Half-Width Sliding Shelves	2 SpacePro™
Cantilever Shelves	Yes
SpacePro™ Full-Width Drawer	1
Hanging Wine Rack/Can Dispenser	1 Clear/1 White SpacePro™
SpacePro™ Adjustable Crisper Drawer/Humidity Controls	2 Clear/2
Dairy Compartment	1 Clear (Right Door)
SpacePro™ Fixed Door Bins	2 White (1 per door)
2-Liter Fixed Door Bins	1 Clear
Gallon Adjustable Door Bins	2 Clear
2-Liter Adjustable Door Bins	
Dispenser Bin	
Non-Slip Bin Liner/Bottle Retainers	3 Grey/No
Freezer Features	
PowerGlide™ Pull-Out Drawer	Yes
Sliding Full-Width Freezer Baskets	2 SpacePro™
Basket Dividers	1 (Bottom Basket)
Lighting	PowerBright™ LED
Automatic Ice Maker (2nd Ice Maker)	Yes
Certifications	
Sabbath Mode (Star-K® Certified)	Yes
Specifications	
Total Capacity (Cu. Ft.)	27.8
Refrigerator Capacity (Cu. Ft.)	19
Freezer Capacity (Cu. Ft.)	8.7
Power Supply Connection Location	Right Bottom Rear
Water Inlet Connection Location	Left Bottom Rear
Voltage Rating	120V/60Hz/15A
Connected Load (kW rating) @ 120 Volts ¹	1.02
Amps @ 120 Volts	8.5
Minimum Circuit Required (Amps)	15
Shipping Weight (Approx.)	365 Lbs.

¹For use on adequately wired 120V, dedicated circuit having 2-wire service with a separate ground wire. Appliance must be grounded for safe operation.

Standard Refrigerator Depth vs. Counter Depth



NOTE: For planning purposes only. Always consult local and national electric and plumbing codes. Refer to Product Installation Guide for detailed installation instructions on the web at frigidaire.ca.



Product Dimensions	
A - Height (Incl. Hinges & Rollers)	69-7/8"
B - Cabinet Width/Door Width	35-7/8" / 36"
C - Depth (Incl. Door)	33-3/8"
Depth with Door Open 90°	47-3/8"
Depth with Drawer Fully Extended (Incl. Handle)	55"

Accessories information available on the web at frigidaire.ca