

# Frigitaire

## Factory Parts Catalog

Product No.	FRS6R3JB0	FRS6R3JW0
Series	R134a	R134a
Color	black	white
Volts	115	115
Wiring Diagram	241708401	241708401
Owner's Guide	241856000	241856000
Market	North America	North America
Energy Guide	241615444	241615444
Service Data Sheet	240389629	240389629

 **Electrolux**

Electrolux Major Appliances  
 North & Latin America  
 P.O. BOX 212378  
 AUGUSTA, GA 30917

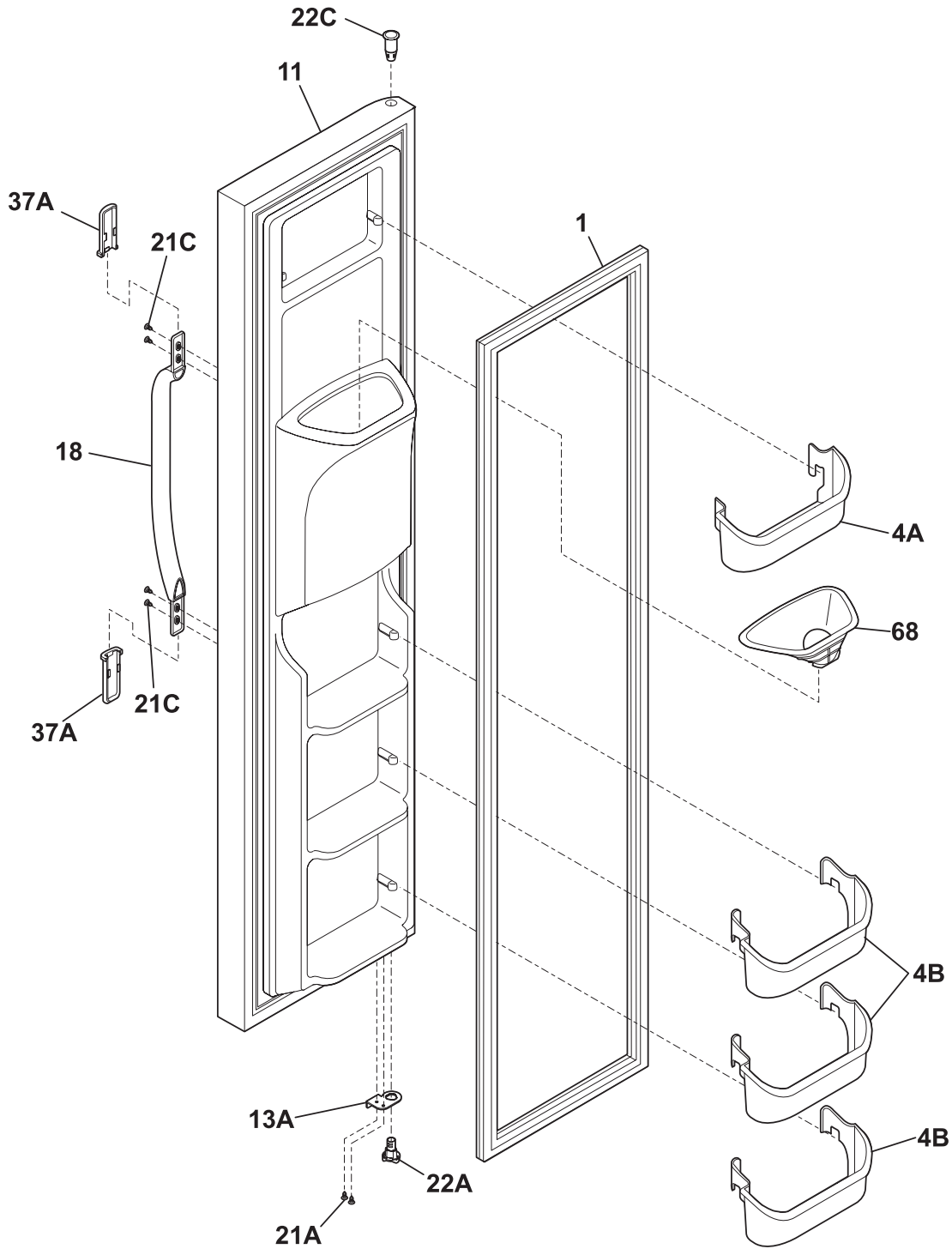
Publication No.  
**5995509832**  
 08/03/24  
 (EN/SERVICE/DCS)  
 137

**SIDE-BY-SIDE  
 REFRIGERATOR**

Model No.  
**FRS6R3J**

Copyright © 2008 Electrolux Home Products, Inc.  
 All rights reserved.

**FREEZER DOOR**



N58FAAAB4

---

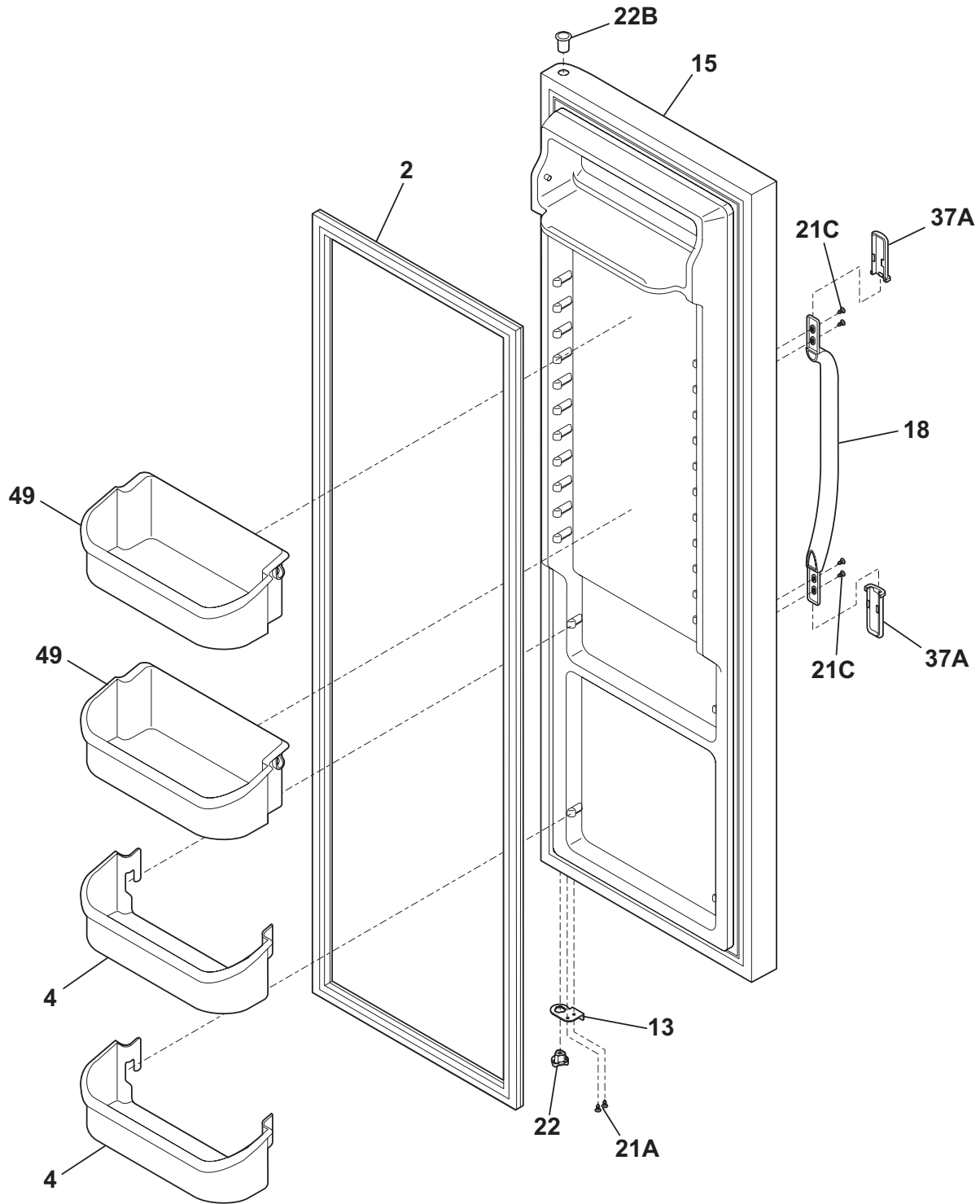
**FREEZER DOOR**


---

*Model Index:* A FRS6R3J (FRS6R3JB0)  
 B FRS6R3J (FRS6R3JW0)

POS. NO	PART NO.		DESCRIPTION
1	241786006	A -	Gasket-frzr door, black, magnetic
1	241786002	- B	Gasket-frzr door, white, magnetic
4A	240334201	A B	Bin-door, frzr-upper
4B	240351601	A B	Bin-door
11	241615175	A -	Door-frzr, black, complete assy
11	241668111	- B	Door-frzr, white, complete assy
13A	240581906	A -	Door Stop, black, frzr
13A	240581902	- B	Door Stop, white, frzr
18	218762703	A -	Handle-door, black
18	218762701	- B	Handle-door, white
21A	240598402	A B	Screw, 10-32 x 1/2
21C	218781101	A B	Screw, pan head, 8-18 x 0.625
22A	240328204	A -	Bearing-hinge(frz), black, closer
22A	240328202	- B	Bearing-hinge(frz), closer
22C	240328404	A -	Bearing-hinge, black, upper
22C	240328402	- B	Bearing-hinge, natural, upper
37A	215870636	A -	Trim-handle, 2.47", black, w/satin AL band
37A	215870629	- B	Trim-handle, 2.47", white, w/satin AL band
37A*	218676004	A B	Band-decorative, satin aluminum, handle trim
68	241525101	A B	Chute-ice
*	240552101	A B	Harness-wiring, door
*	240451503	A B	Screw, ind hex wshr hd, 8-32 x 0.375, trilobe
*	241806601	A B	Connector-water, straight
*	5303918256	A B	Dispenser heater kit

REFRIGERATOR DOOR



N58RAAABB5

---

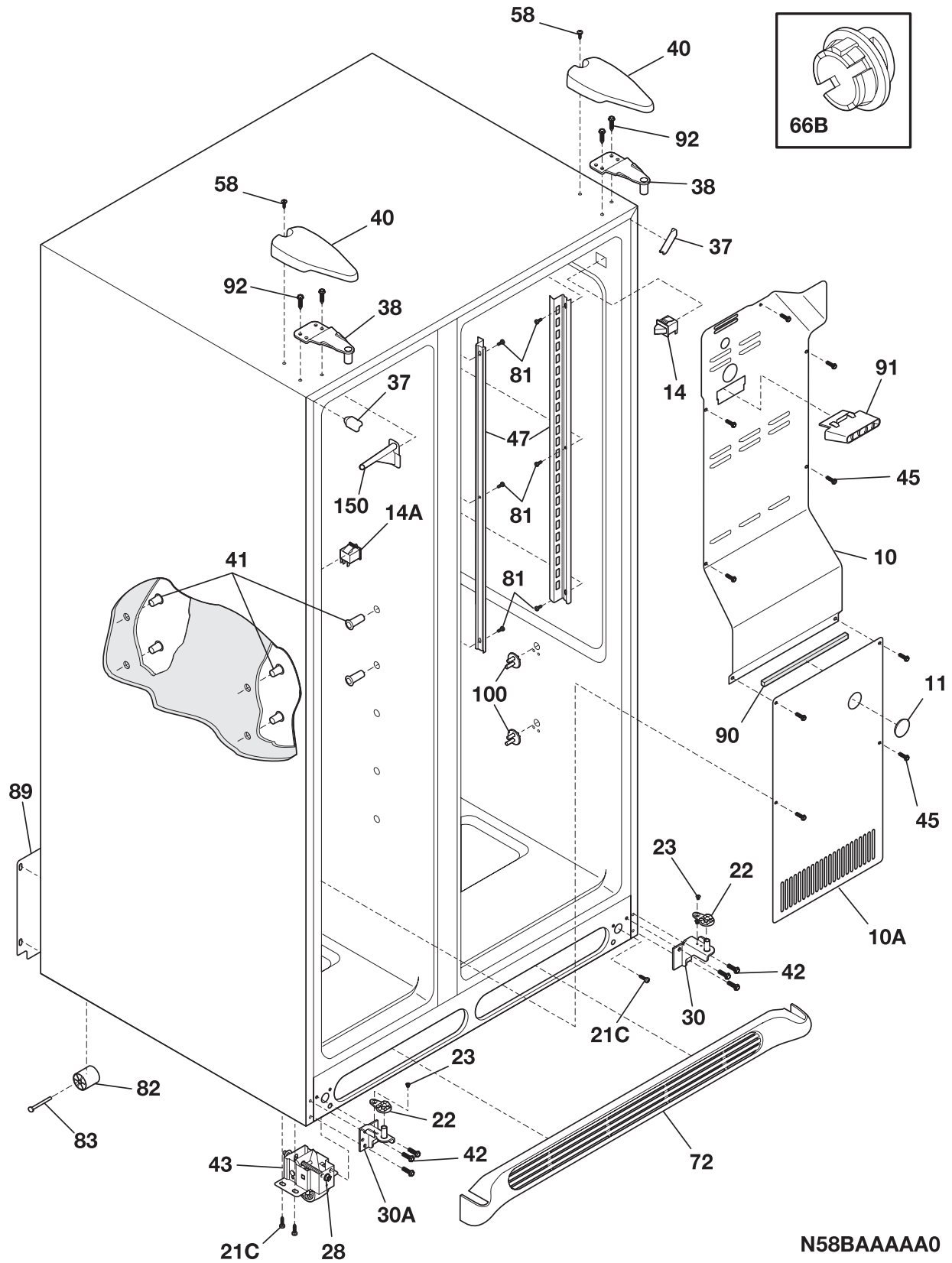
**REFRIGERATOR DOOR**


---

*Model Index:* A FRS6R3J (FRS6R3JB0)  
 B FRS6R3J (FRS6R3JW0)

POS. NO	PART NO.		DESCRIPTION
2	241786005	A -	Gasket-refr door, black, magnetic
2	241786001	- B	Gasket-refr door, white, magnetic
4	240323001	A B	Bin-door, pseudo, bottom
13	240581905	A -	Door Stop, black, ref
13	240581901	- B	Door Stop, white, refr
15	241629345	A -	Door-refr, black, complete assy
15	240451902	- B	Door-refr, white, complete assy
18	218762703	A -	Handle-door, black
18	218762701	- B	Handle-door, white
21A	240598402	A B	Screw, 10-32 x 1/2
21C	218781101	A B	Screw, pan head, 8-18 x 0.625
22	240328203	A -	Bearing-hinge, black, closer
22	240328201	- B	Bearing-hinge(ref), closer
22B	240328404	A -	Bearing-hinge, black, upper
22B	240328402	- B	Bearing-hinge, natural, upper
37A	215870636	A -	Trim-handle, 2.47", black, w/satin AL band
37A	215870629	- B	Trim-handle, 2.47", white, w/satin AL band
37A*	218676004	A B	Band-decorative, satin aluminum, handle trim
49	240356401	A B	Bin-door, gallon

CABINET



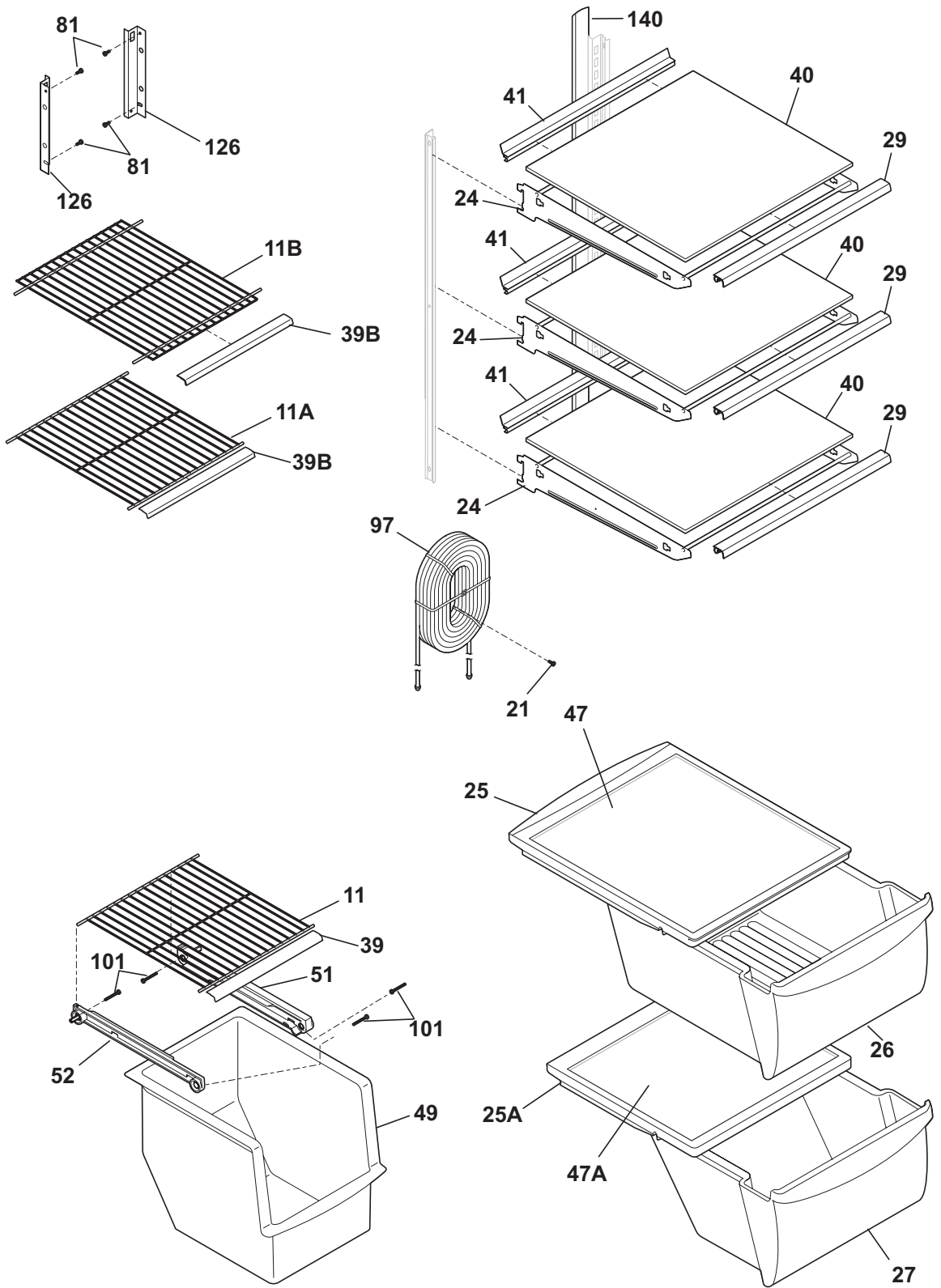
N58BAAAAA0

**CABINET**

*Model Index:* A FRS6R3J (FRS6R3JB0)  
B FRS6R3J (FRS6R3JW0)

POS. NO	PART NO.		DESCRIPTION
10	240435912	A B	Cover-air duct
10A	241719711	A B	Cover-evap coil, lower
11	5303208309	A B	Plug-hole, factory test
14	240505801	A B	Switch, light/lamp
14A	241547901	A B	Switch-light/lamp, frzr door
21C	218252201	A B	Screw, #8 truss hd, 10-32CA x 0.500
22	240457702	A -	Plate-door closer
22	240457701	- B	Plate-door closer
23	240402702	A B	Screw-#10-32 x 1/4 flat hd
28	241708801	A B	Bolt-roller adj, hex washer head, 1/4-20 x 4.020, (2), special
30	241603703	A B	Bracket-lower hinge, ref
30A	241603704	A B	Bracket-lower hinge
37	240337610	A -	Trim-cabinet corner, black, (2)
37	240337608	- B	Trim-cabinet corner, white, (2)
38	240327207	A B	Bracket-upper hinge
40	240327007	A -	Cover-upper hinge, black
40	240327005	- B	Cover-upper hinge, white
41	241550801	A B	Grommet-shelf mtg, 1.40" long
41*	241550701	A B	Grommet-shelf mtg, .96" long
42	240578902	A B	Screw, hex head, 1/4-20 x 5/8
43	241882901	A B	Roller Assy, adjustable, front, (2)
45	241500303	A B	Screw, hex washer head, 8-18AB x 0.500
47	218659500	A B	Channel-shelf mtg, side, (2)
58	218781101	A B	Screw, pan head, 8-18 x 0.625
66B	240374301	A B	Diffuser-air
66B*	240518802	A B	Pin-push, push-in, plastic
72	240324411	A -	Grille/Kickplate, black
72	240324409	- B	Grille/Kickplate, white
81	5304455650	A B	Screw, hex washer head, 8-15A x 0.625, low profile
82	5304418225	A B	Roller, compressor base, rear, (2)
83	5304455655	A B	Rivet, flat head, 1/4 OD x 1-3/4, roller pin
89	241733902	A B	Cover-access, w/label
90	218249808	A B	Seal-coil cover
91	240380101	A B	Duct-ice maker
92	241710601	A B	Screw, hex washer hd, 1/4 x 7/8, hinge mtg
100	240423701	A B	Support, crisper cover, front, (4)
100*	240350802	A B	Support, crisper cover, rear, (4)
150	240368701	A B	Guide-control bulb
*	240396801	A B	Clamp, tube/wiring, nylon, black/natural
*	240479601	A B	Plug, button, cab liner holes
*	5303321321	A -	Paint, touch-up, black
*	5303321319	- B	Paint, touch-up, white

**SHELVES**



**N58SJCACA24**

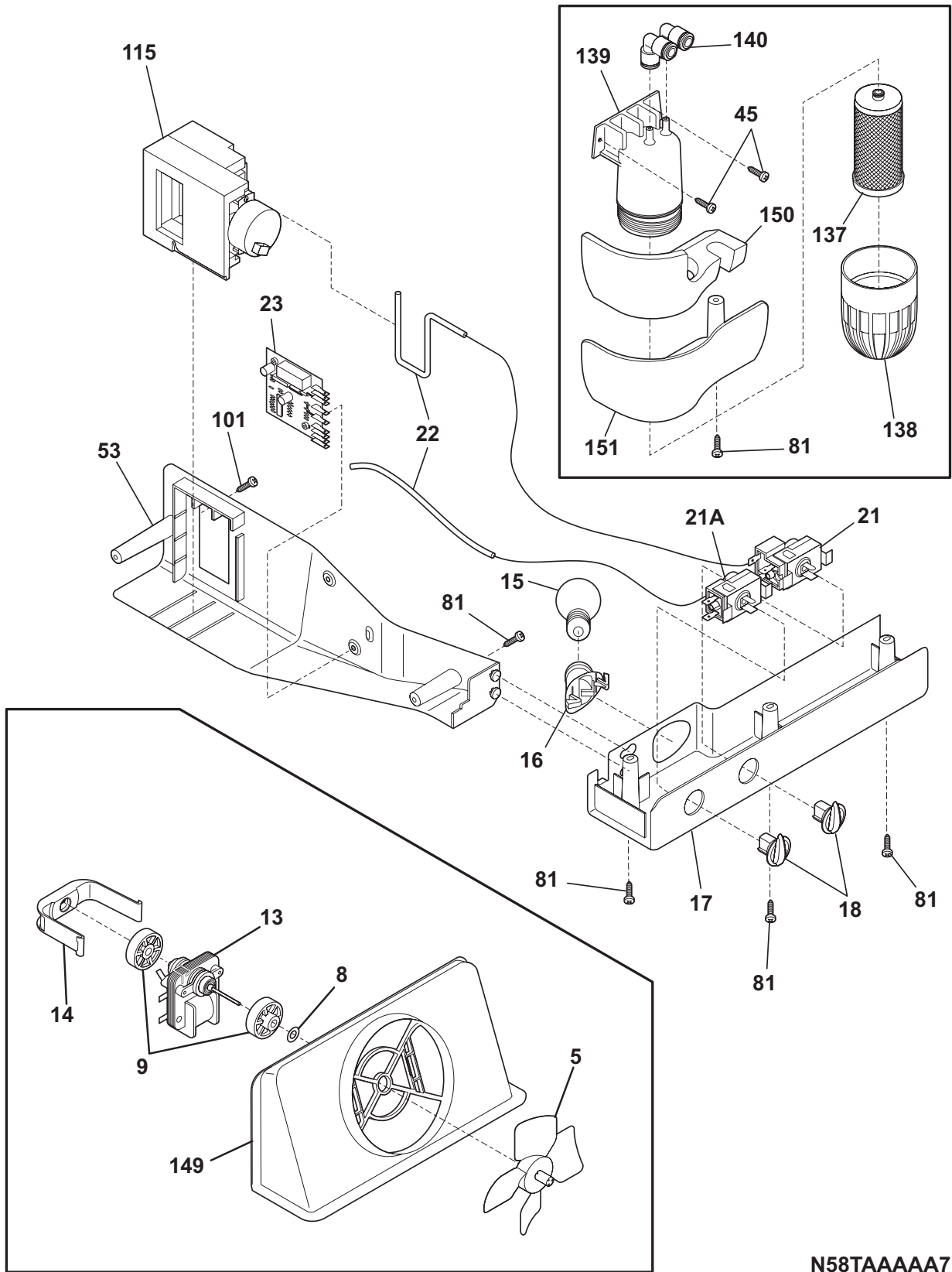


**SHELVES**

*Model Index:* A FRS6R3J (FRS6R3JB0)  
B FRS6R3J (FRS6R3JW0)

POS. NO	PART NO.		DESCRIPTION
11	241657602	A B	Shelf, flip up, wire
11A	241657502	A B	Shelf, fixed, freezer
11B	241657504	A B	Shelf, fixed, upper, freezer
21	5304455658	A B	Screw, hx wshr hd sems, 8-15A x 0.625
24	240373108	A B	Frame-shelf, cantilever
25	240350702	A B	Cover-crisper pan, upper
25A	240350902	A B	Cover-crisper pan, lower
26	240351003	A B	Pan-crisper, upper
27	240351203	A B	Pan-crisper, lower
29	240357706	A B	Trim-shelf, front
39	240430706	A B	Trim-shelf, 11.21", front
39B	240430702	A B	Trim-shelf, 12.39", front
40	240350623	A B	Glass-shelf, 16.76" x 17.60"
41	240357806	A B	Trim-shelf, rear
47	240350649	A B	Insert-pan cover, glass
47A	240350603	A B	Insert-pan cover, glass
49	240564401	A B	Basket-sliding
51	240343002	A B	Hanger-basket, RH
52	240343102	A B	Hanger-basket, LH
81	5304455650	A B	Screw, hex washer head, 8-15A x 0.625, low profile
97	240545308	A B	Water Tank
101	218493101	A B	Screw, hex washer head, 8-18AB x 1-3/4
126	241674401	A B	Channel, auger mtg, LH
126	241674402	A B	Channel, auger mtg, RH
140	240430501	A B	Channel, wtr tube cover
*	241615444	A B	Energy Guide

**CONTROLS**



**N58TAAAAA7**

## CONTROLS

---

*Model Index:*    A FRS6R3J (FRS6R3JB0)  
                               B FRS6R3J (FRS6R3JW0)

POS. NO	PART NO.		DESCRIPTION
5 #	5308000010	A B	Fan Blade, red, evaporator fan
8	215474201	A B	Washer, "slinger", nylon, evap fan shaft
9	241563601	A B	Bushing-motor mtg, (2)
13	240369702	A B	Motor-evap fan
14	241517701	A B	Clip, evap fan motor
15	241555401	A B	Light Bulb
16 #	241513901	A B	Socket-light
17	240383301	A B	Box-control, front
17*	241735702	A B	Harness-wiring, control box
18	240360801	A B	Knob, temp control
21 #	241586501	A B	Control-temperature
21A#	5304429602	A B	Control-temperature, frzr section
22	218660704	A B	Tube, insulator, plastic
23 #	241736601	A B	Control-defrost, adaptive timer, PC board
23*	5304455649	A B	Screw, pan hd, 6-20 x 0.438
45	241500303	A B	Screw, hex washer head, 8-18AB x 0.500
53	240369501	A B	Box-control
81	5304455650	A B	Screw, hex washer head, 8-15A x 0.625, low profile
101	241637202	A B	Screw, #8AB x 1 3/4"
115	241600905	A B	Damper Assy, w/seal
137#	240389102	A B	Filter, water, carbon canister, rear, with o'rings
137*	218710300	A B	Wrench-filter
138	240434401	A B	Cup-water filter
138*	218904301	A B	O-ring, wtr filter cup
139	240434301	A B	Housing-water filtr
140	240545201	A B	Elbow-water tube
149	241563501	A B	Shroud-fan orifice
149*	241528306	A B	Seal, shroud
150	240394102	A B	Insulation-water filter cover
151	240376002	A B	Cover-water filter



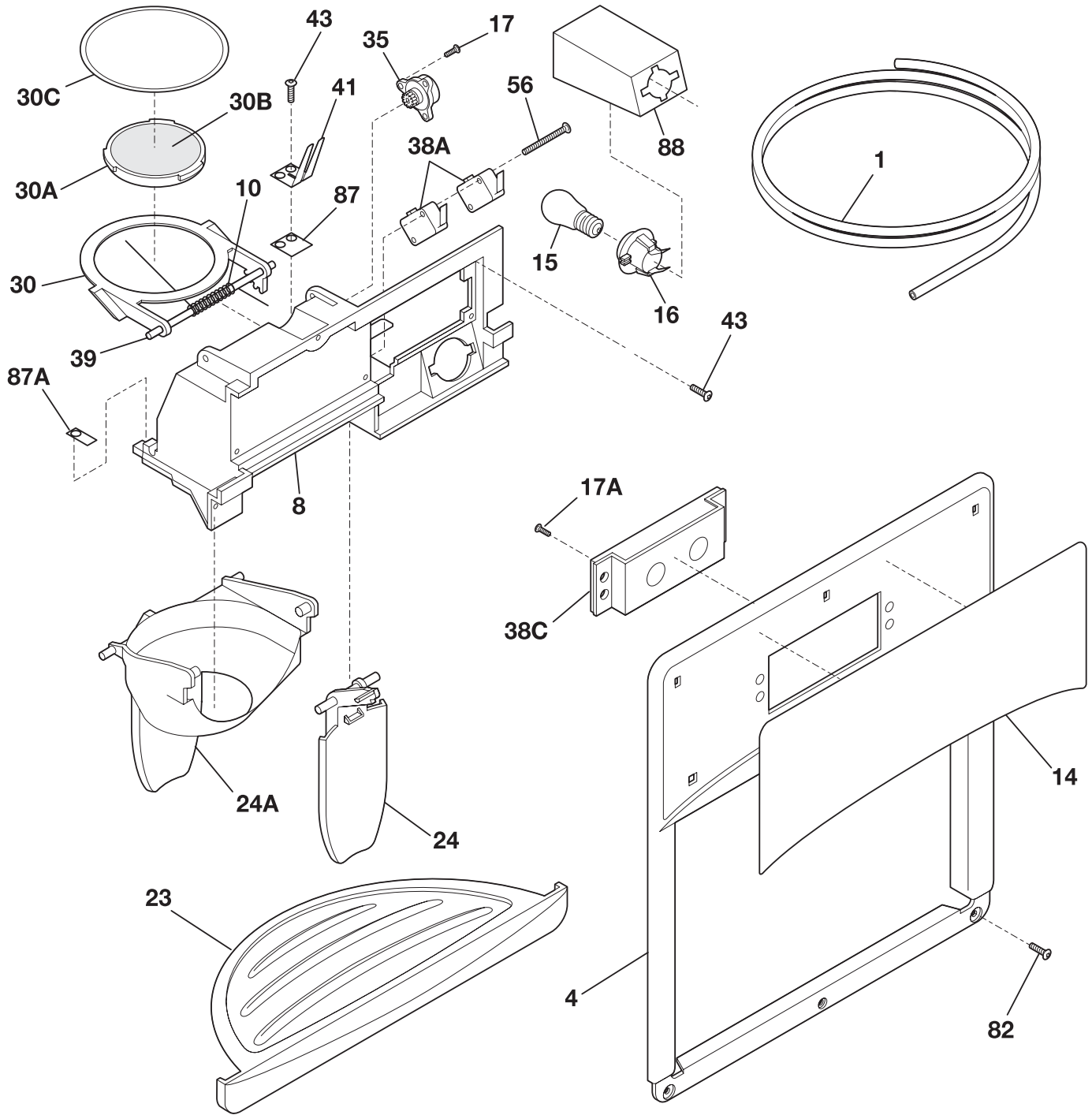
## SYSTEM

---

*Model Index:*    A FRS6R3J (FRS6R3JB0)  
                               B FRS6R3J (FRS6R3JW0)

POS. NO	PART NO.		DESCRIPTION
1 #	240333603	A B	Condenser
3	218679607	A B	Block-evap coil, styrofoam, (2)
4 #	218944001	A B	Drier-filter, R134a System
6 #	241586801	A B	Harness-wiring, machine compt
6* #	241651601	A B	Harness-wiring, evaporator
6* #	241735702	A B	Harness-wiring, control box
14 #	240316107	A B	Heater-defrost
15 #	5303918284	A B	Evaporator Kit
16	5308000110	A B	Strap-evap/heater, aluminum, (2)
21 #	5303918214	A B	Thermostat-defrost, kit
22	240330011	A B	Base-compressor mtg
22*	218252201	A B	Screw, #8 truss hd, 10-32CA x 0.500
23	218513300	A B	Grommet-compr mtg, (4)
25	240491503	A B	Screw-compressor mtg, 1/4-28 x 1.16, (4)
26	241697602	A B	Pan-defrost
29	5303918353	A B	Compressor Kit
30 #	241707709	A B	Starter
32	241715901	A B	Strap-cover
34	240405201	A B	Grommet, rubber, black, cond tube/wire
41	240555002	A B	Screw-#8-32 X 3/8
44	215174700	A B	Clamp-service cord, strain relief, galv steel
45	5304455650	A B	Screw, hex washer head, 8-15A x 0.625, low profile
55	218909913	A B	Capacitor, run, 220 VAC, 15 microfarad
57	240542601	A B	Clip-wiring harness
58	218897004	A B	Screw, hex washer head, 8-32 x 0.375
59	241681101	A B	Shroud-cond fan
60 #	241696602	A B	Motor-condenser fan
59*	240346701	A B	Tape-foam seal, shroud
59*	240359403	A B	Screw-fan shroud, (2)
61 #	240524101	A B	Fan Blade, galv steel, condenser fan
62	240429402	A B	Trough-drain
70	218990801	A B	Bracket-evap/cvr mtg
82	5304418225	A B	Roller, compressor base, rear, (2)
83	5304455655	A B	Rivet, flat head, 1/4 OD x 1-3/4, roller pin
84	5304421068	A B	Tube-drain, lower
85	240346201	A B	Tube-connector, suction
* #	5303918328	A B	Heat Exchanger Kit, suction line, service
*	5303918222	A B	Hot Tube Repair Kit, service

ICE & WATER DISPENSER



N58XDAAA1

---

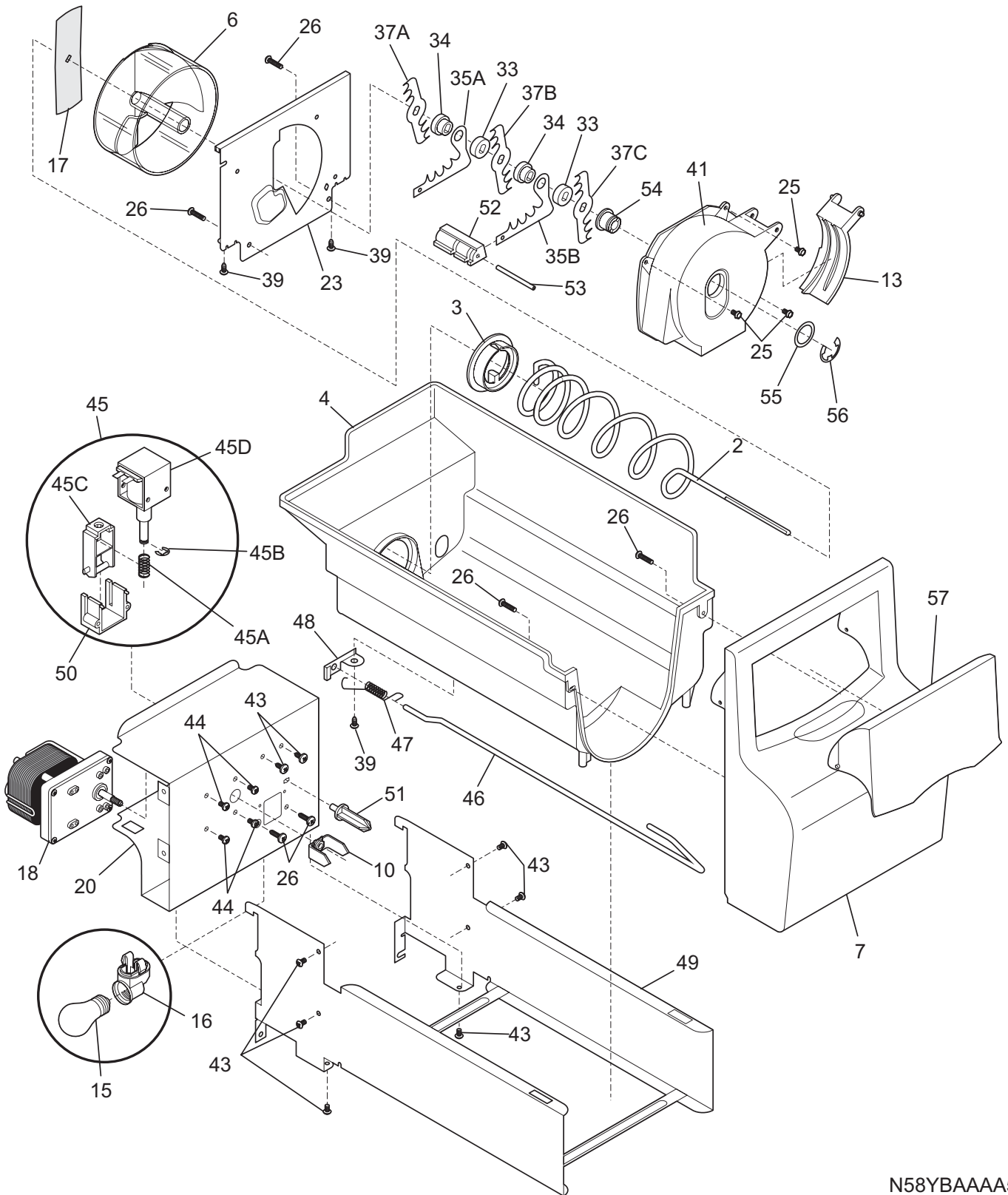
**ICE & WATER DISPENSER**


---

*Model Index:* A FRS6R3J (FRS6R3JB0)  
B FRS6R3J (FRS6R3JW0)

POS. NO	PART NO.		DESCRIPTION
1	218976409	A B	Tube, water, door
1*	218976419	A B	Tube-water inlet, valve to door
1*	218976420	A B	Tube-water inlet, inlet valve, to filter
1*	218976915	A B	Tube-water inlet, inlet valve, to filter
1*	240561701	A B	Seal-water inlet, inlet valve, to ice maker
4	241679003	A -	Cover-module, black
4	241679001	- B	Cover-module, white
8	241680507	A -	Module-dispenser
8	241680505	- B	Module-dispenser
10	241688901	A B	Spring-torsion
14	240570206	A -	Label-module cover, black
14	240570204	- B	Label-module cover, white
15	241689401	A B	Light Bulb
16	240548901	A B	Socket-light
17	241679801	A B	Screw
17A	241679901	A B	Screw, switch mtg.
23	241649003	A -	Drip Tray, black
23	241649001	- B	Drip Tray, white
24	241682003	A -	Actuator-water, black
24	241682001	- B	Actuator-water, white
24A	241681903	A -	Actuator-ice, black
24A	241681901	- B	Actuator-ice, white
30	241688401	A B	Door Assy-ice chute
30A	241688501	A B	Door center
30B	241688601	A B	Insulation-door
30C	241688701	A B	Door seal
35	241689301	A B	Damper-rotary
38A#	241689101	A B	Switch-micro, single pole, double throw
38A*	241679201	A B	Harness-wiring
38C#	241679101	A B	Switch
38C*	241686001	A B	Harness-wiring
39	241688801	A B	Pin-hinge
41	241689001	A B	Spring-actuator
43	215296301	A B	Screw, plask h/l, #6 x 3/8
56	241689201	A B	Screw-micro switch, pan head
82	240363402	A B	Screw-#8-18 X 1/2, #6 hd plask
87	241688302	A B	Bearing Plate
87A	241688301	A B	Bearing Plate
88	241686101	A B	Shield-light
*	218515403	A B	Clip-grille
*	5303918256	A B	Dispenser heater kit

ICE CONTAINER



N58YBAAA5

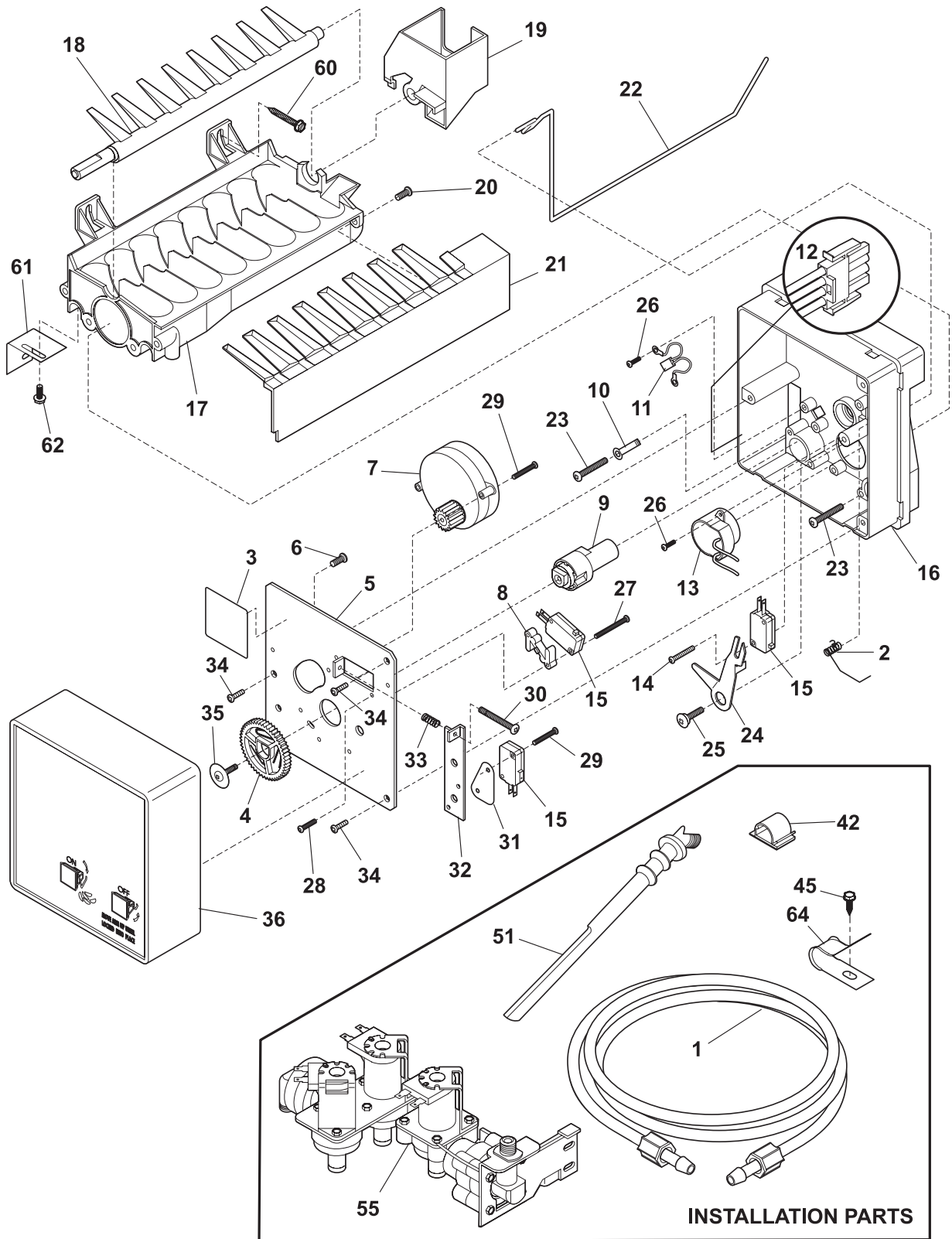


## ICE CONTAINER

Model Index: A FRS6R3J (FRS6R3JB0)  
B FRS6R3J (FRS6R3JW0)

POS. NO	PART NO.		DESCRIPTION
2	241716101	A B	Auger-ice
3	241685201	A B	Cam-drive
4	241734001	A B	Container-ice, bucket only
6	241685101	A B	Drum-ice disp
7	241734201	A B	Front-ice container
10	241726501	A B	Bar-drive
13	241685301	A B	Gate
15	241555401	A B	Light Bulb
16	241559801	A B	Socket-light
17	241684501	A B	Drive Blade
18	241676201	A B	Motor-auger
18*#	241732001	A B	Harness Wiring
18*#	240352602	A B	Wiring Harness, internal, wiring harness
20	241734902	A B	Cover, motor
23	241684001	A B	Plate-front
25	241690701	A B	Screw, hex washer head, 8-32T x 0.375
26	215503205	A B	Screw, cr pan hd, 10-16 x 0.500
33	241684801	A B	Spacer
34	241689801	A B	Spacer
35A	241684301	A B	Fixed Blade, round
35B	241684201	A B	Fixed Blade, square
37A	241684101	A B	Blade, crusher #1
37B	241684102	A B	Blade, crusher #2
37C	241684103	A B	Blade, crusher #3
39	241690501	A B	Screw
41	241685601	A B	Housing-crusher
43	218359202	A B	Screw, pan head, 8-32 x 0.250
44	241842101	A B	Screw, 8-32 x 1/4
45 #	241675701	A B	Solenoid Assy, 115V
45A	241675901	A B	Spring-solenoid
45B	241676001	A B	E-Ring-solenoid
45C	241676101	A B	Actuator-solenoid
45D#	241675801	A B	Solenoid, 115V
46	241716002	A B	Control Rod
47	241731801	A B	Spring-control rod
48	241684602	A B	Bracket-control rod
49	241734501	A B	Rail Assy
50	241675601	A B	Guide-solenoid
51	241676301	A B	Rotation Stop
52	241684901	A B	Spacer-fixed blades
53	241690402	A B	Pin-spiral, fixed blades
54	241685001	A B	Nut-auger
55	241690306	A B	Washer
56	241690201	A B	E-ring
57	241734101	A B	Door-access
*	240507202	A B	Deflector-ice container
*	241860803	A B	Ice Container Assy, w/moving parts

ICE MAKER



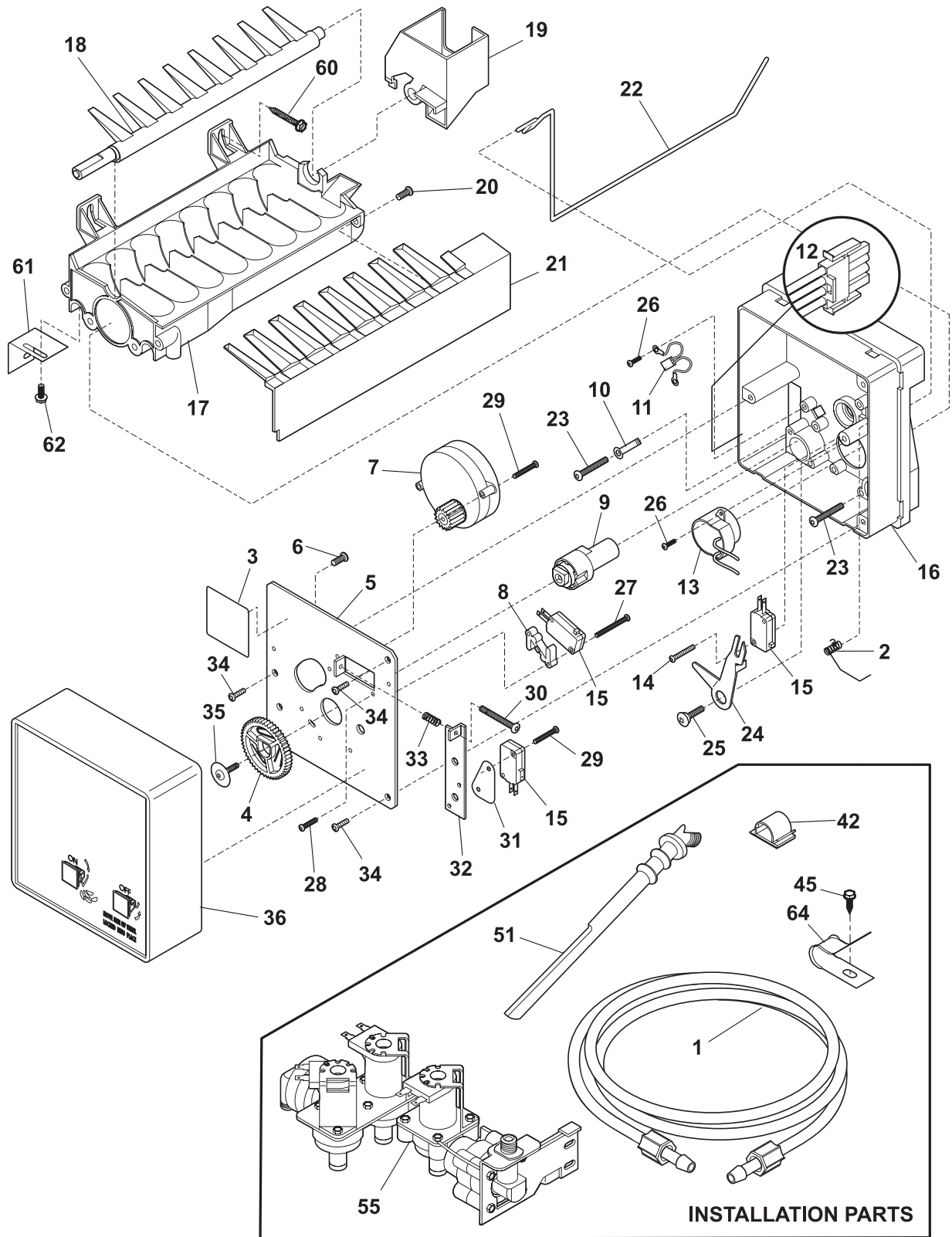
N581151

## ICE MAKER

Model Index: A FRS6R3J (FRS6R3JB0)  
B FRS6R3J (FRS6R3JW0)

POS. NO	PART NO.		DESCRIPTION
1	218976409	A B	Tube, water, door
1*	218976419	A B	Tube-water inlet, valve to door
1*	218976420	A B	Tube-water inlet, inlet valve, to filter
1*	218976915	A B	Tube-water inlet, inlet valve, to filter
1*	240561701	A B	Seal-water inlet, inlet valve, to ice maker
2	5304456650	A B	Spring-shutoff arm, ice maker
3	5304456657	A B	Nameplate
4	5304456658	A B	Gear
5	5304456659	A B	Plate-mounting
6	5304456691	A B	Screw, M 3x20 #3, valve plate
7 #	5304445222	A B	Motor-ice maker Svo
7*	5304445223	A B	Spring Beam
8	5304456661	A B	Spacer-hold switch
9	5304456662	A B	Cam
10	5304456689	A B	Washer, nylon
11 #	5304456663	A B	Thermal Cutoff, ice maker, complete assy
12	5304456664	A B	Harness-wiring
13	5304456665	A B	Thermostat, ice maker
14	5304455676	A B	Screw, plask, 4x14x3/4
15 #	5304456667	A B	Switch-micro, (3)
16	5304456668	A B	Support
17	5304456669	A B	Mold-ice maker, w/therm cut off
18	5304456670	A B	Ejector-ice
18*	240352602	A B	Wiring Harness, internal, wiring harness
19	5304456671	A B	Bearing & Inlet, fill cup
20	5304455677	A B	Screw, 8-32 x 3/8
21	5304456672	A B	Ice Stripper
22	5304456673	A B	Shut-off Arm
23	5304456674	A B	Screw, M 4x25 #2, mold-to-support, (2)
24	5304456675	A B	Lever Arm
25	5304456676	A B	Screw, M 4x12.8 #2, lever arm/sprt
26	5304455680	A B	Screw, plask, 4-14 x 3/8
27	5304456677	A B	Screw, M 3x25 #3, hold switch mtg, (2)
28	5304456660	A B	Screw, M 4x6 #2
29	5304456678	A B	Screw, M 3x12 #3, (2)
30	5304456679	A B	Screw-timing adj, M 4x25 #3
31	5304456680	A B	Insulator
32	5304456681	A B	Plate-valve switch
33	5304456682	A B	Spring, timing adjust
34	5304456683	A B	Screw, M 4x12 #2, (3)
35	5304456684	A B	Screw
36	5304456685	A B	Cover-ice maker
36*	5304456690	A B	Label, ID plate
42	218515403	A B	Clip-grille
45	5304455650	A B	Screw, hex washer head, 8-15A x 0.625, low profile
51	241796401	A B	Tube-water fill, extension
55 #	241734301	A B	Valve-water, triple solenoid
55*	218709101	A B	Screw, hex head, 10-32 x 0.500
55*	240363602	A B	Screw-shoulder

ICE MAKER



N581151

---

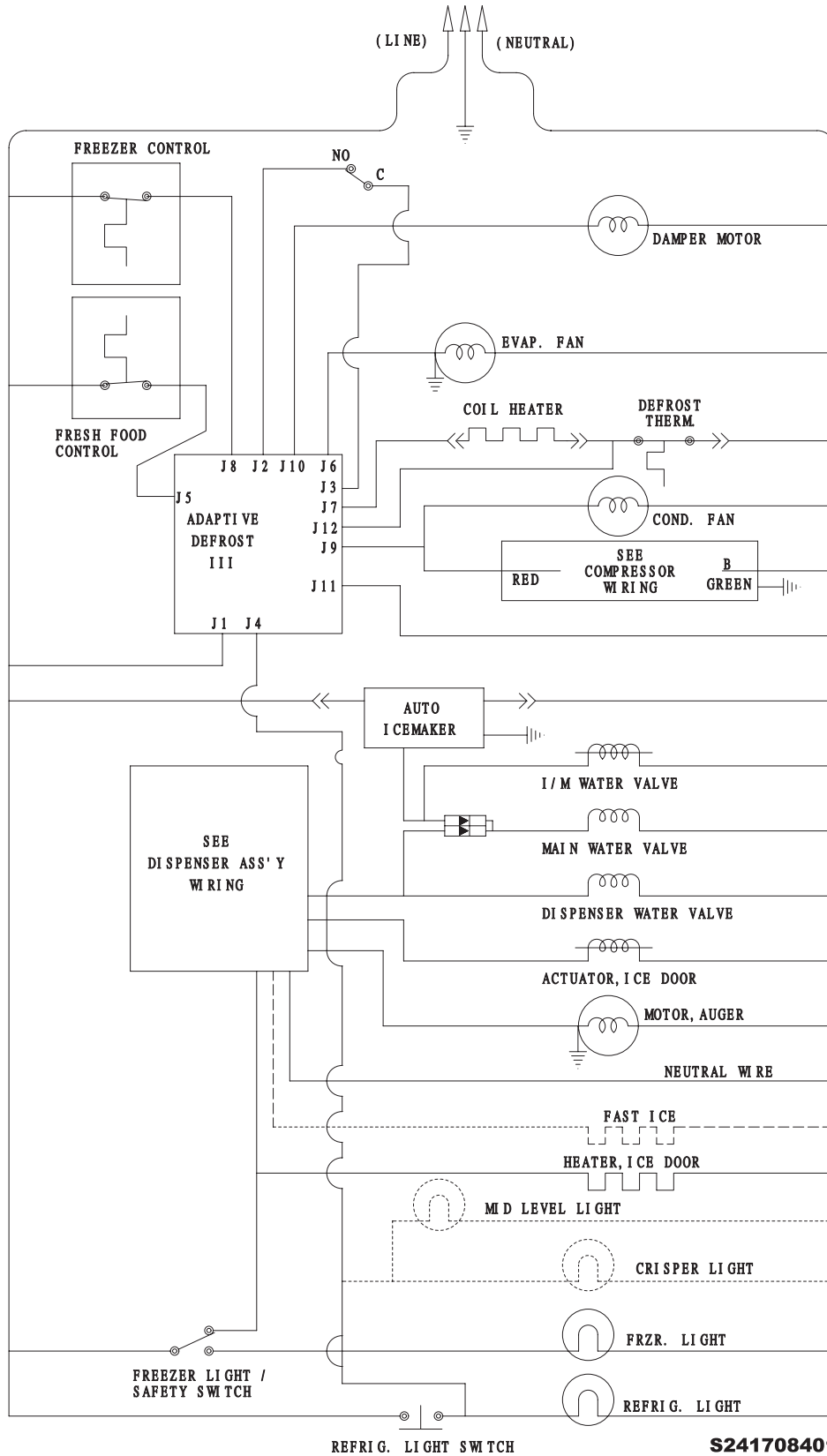
**ICE MAKER**


---

*Model Index:* A FRS6R3J (FRS6R3JB0)  
 B FRS6R3J (FRS6R3JW0)

POS. NO	PART NO.		DESCRIPTION
55*	240542901	A B	Cap-water valve
60	5303207328	A B	Screw, hex washer head, 8-15A x 1.000, (2)
61	5304456686	A B	Bracket-leveling, ice maker
62	5304456687	A B	Screw-IM brkt mtg, pan hd phillips, 8-32T x 0.375
64	5303001549	A B	Clamp, 0.31 ID, steel, copper wtr line
*	241642501	A B	Ice Maker, radius cube, 115 V, Svce
*	241642601	A B	Harness-wiring Svo
*	241806601	A B	Connector-water, straight
*	5304456666	A B	Screw, M 3x20 #2, (6)
*	5304456688	A B	Terminal
*	5304456692	A B	Washer
*	5304456693	A B	Nut, M 3.5
*	5304456737	A B	Washer

### WIRING SCHEMATIC



S241708401

WIRING DIAGRAM

