

Frigidaire

Factory Parts Catalog

Product No.	FRT15HB3DQ5	FRT15HB3DW5	FRT15HB3DZ5
Series	R134a System	R134a System	R134a System
Color	bisque	white (right)	white (left)
Volts	115	115	115
Wiring Diagram	240398801	240398801	240398801
Owner's Guide	240400113	240400113	240400113
Market	North America	North America	North America
Energy Guide	241538732	241538732	241538732
Service Data Sheet	240379018	240379018	240379018
Installation Instructions	240568301	240568301	240568301

 **Electrolux**

Electrolux Major Appliances
 North & Latin America
 P.O. BOX 212378
 AUGUSTA, GA 30917

Publication No.
5995456349
 05/12/14
 (EN/SERVICE/KHB)
 390

**TOP-MOUNT
 REFRIGERATOR**

**Model No.
 FRT15HB3D**

Copyright © 2005 Electrolux Home Products, Inc.
 All rights reserved.

DOOR

Model Index: **A** FRT15HB3D (FRT15HB3DQ5)
 B FRT15HB3D (FRT15HB3DW5)
 C FRT15HB3D (FRT15HB3DZ5)

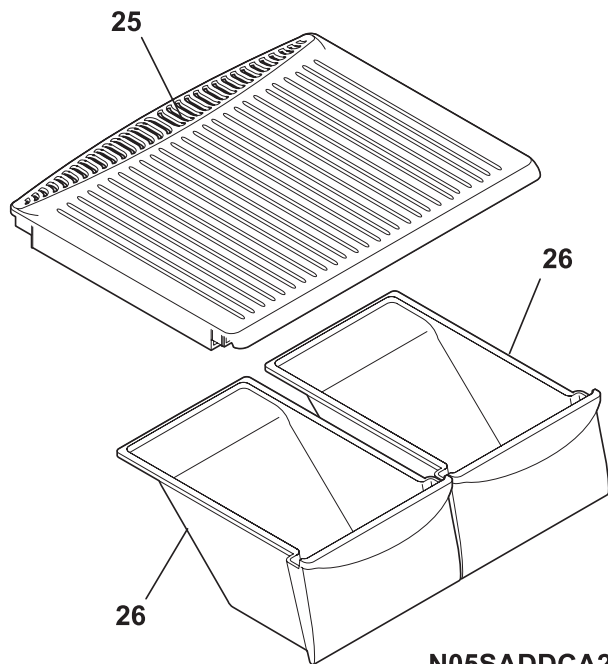
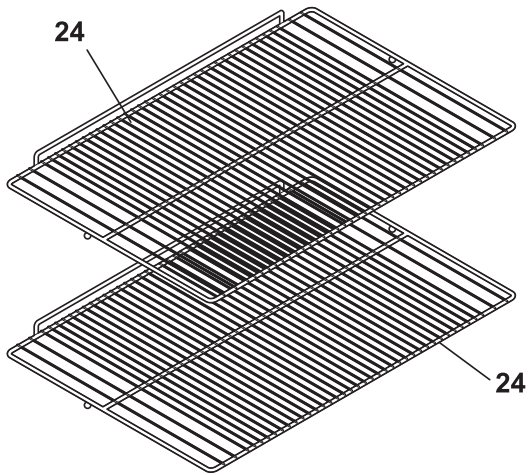
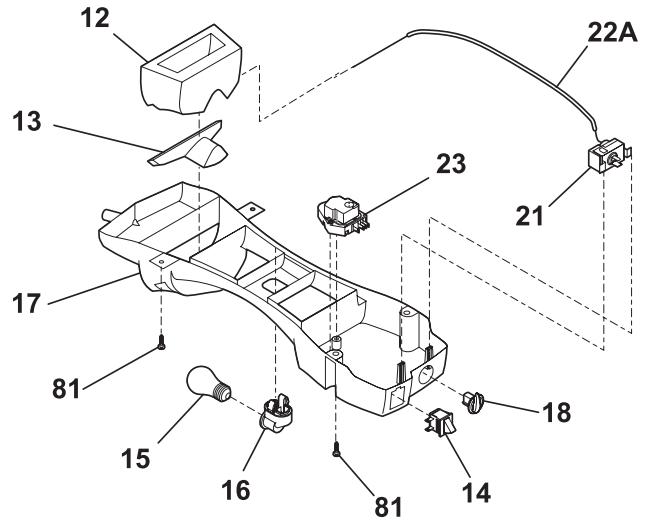
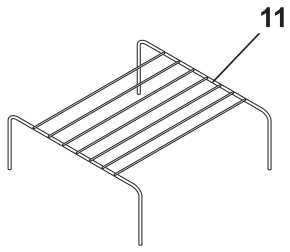
POS. NO	PART NO.		DESCRIPTION
1	240554113	A B C	Gasket-frzr door, white, magnetic
2	240542114	A B C	Gasket-refr door, white, magnetic
4	240535101	A B C	Rack-door
4A	240535301	A B C	Rack-door
4B	240535201	A B C	Rack-door
7	240337701	A B C	Door-dairy, w/o graphics, white
8	240535001	A B C	Rack-door
10	240381302	A - -	Plug-button, bisque, hinge brg hole, (2)
10	240381301	- B C	Plug-button, white, hinge brg hole, (2)
11	240415402	A - -	Door, frzr, bisque
11	240415401	- B C	Door, frzr, white
12	240415203	A - -	Label-nameplate, bisque
12	240415201	- B C	Label-nameplate, white
13	240312407	A - -	Door Stop, bisque, ref
13	240312403	- B C	Door Stop, white, ref
13A	240312408	A - -	Door Stop, bisque, frzr
13A	240312404	- B C	Door Stop, white, frzr
14	240494002	A - -	Plug-button, bisque
14	240494001	- B C	Plug-button, white
15	240415502	A - -	Door, refr, bisque
15	240415501	- B C	Door, refr, white
18A	218428119	A - -	Handle-door, bisque, w/block & screw
18A	218428101	- B C	Handle-door, white, w/block & screw
21	240383401	A B C	Screw, truss hd quad, #10-16 x .500
21A	240521301	A B C	Screw, #10-16 x 1/2
21C	218252200	A B C	Screw, #8 truss hd, 10-32CA x 0.500
22	240527101	A B C	Bearing-hinge, natural color
73	218396700	A B C	Block-handle mtg, dovetail
74	215503200	A B C	Screw, cr pan hd, 10-16 x 0.500

CABINET

Model Index: A FRT15HB3D (FRT15HB3DQ5)
 B FRT15HB3D (FRT15HB3DW5)
 C FRT15HB3D (FRT15HB3DZ5)

POS. NO	PART NO.		DESCRIPTION
1	241652301	A B C	Cover-fan
2	240367001	A B C	Knob-damper control
3	5303001028	A B C	Nut, push-on
4	241523701	A B C	Damper-fan cover
5 #	5308000010	A B C	Fan Blade, red, evaporator fan
8	5300157666	A B C	Bushing-motor mtg, (2)
9	5303292396	A B C	Bracket-motor mtg, front
10	241652211	A B C	Cover-evap coil
10*	240568601	A B C	Seal-coil cover
10*#	241520701	A B C	Harness-wiring, freezer
11	5303208309	A B C	Plug-hole, factory test
12	241557601	A B C	Plug-ice maker harness, rectangular
12A	240374401	A B C	Plug-wtr inlet tube, round, 1"
12A*	241586701	A B C	Plug-foam-wtr-inlet, round
13 #	240369702	A B C	Motor-evap fan
13*	215474201	A B C	Washer, "slinger", nylon, evap fan shaft
13*	218931001	A B C	Clamp-motor wiring, nylon, w/adhesive tape
14	5303292397	A B C	Bracket-motor mtg, rear
14*	240433201	A B C	Screw, hex washer head, 8-18 x 0.375
21C	218252200	A B C	Screw, #8 truss hd, 10-32CA x 0.500
22	215774919	A - -	Plug-button, bisque, upr hinge holes
22	215774901	- B C	Plug-button, white, upr hinge holes
30	240357101	A B C	Bracket-lower hinge, zinc chromate
34	240311303	A B C	Washer, hinge, nylon, (2)
35	240357001	A B C	Bracket-ctr hinge, zinc
35A	240336802	A B C	Spacer-hinge, center
36	240516401	A B C	Pin-center hinge
37	241611304	A - -	Trim-cabinet corner, bisque, (2)
37	241611301	- B C	Trim-cabinet corner, white, (2)
38	241622504	A - -	Bracket-upper hinge, plastic, bisque
38	241622501	- B C	Hinge-up, plastic, white
41	5308009759	A B C	Grommet, shelf mtg, 1.25", LH, (4)
42	240578901	A B C	Screw-hinge mtg, hex head, 1/4-20 x 5/8
43	241559602	A B C	Roller Assy, fixed, front LH
43*	241559601	A B C	Roller Assy, fixed, front RH
56	240516501	A B C	Pin-lower hinge
58	5303001343	A B C	Screw, hex washer head, 8-15A x 0.500
59	240442701	A B C	Screw-#10-32 X 3/4, zinc
72	240368302	A - -	Grille/Kickplate, bisque, lower front
72	240368301	- B C	Grille/Kickplate, white
81	5308016566	A B C	Screw, hex washer head, 8-15A x 0.625, low profile
82	5304418225	A B C	Roller, compressor base, rear, (2)
83	5303316859	A B C	Rivet, flat head, 1/4 OD x 1-3/4, roller pin
89	241574606	A B C	Cover-access, w/label
89*	241500302	A B C	Screw, hex washer head, 8-18AB x 0.625
92	241624301	A B C	Screw-hinge mtg, hex head, 1/4-20 x 1.00
*	240479601	A B C	Plug, button, cab liner holes, (2)
*	5304414035	A - -	Paint, touch-up, bisque
*	5303305324	- B C	Paint, touch-up, white

SHELVES



N05SADDCA21

SHELVES

Model Index: A FRT15HB3D (FRT15HB3DQ5)
 B FRT15HB3D (FRT15HB3DW5)
 C FRT15HB3D (FRT15HB3DZ5)

POS. NO	PART NO.		DESCRIPTION
11	5303282284	A B C	Shelf-freezer, "table type"
11*	5303299664	A B C	Spacer, shelf
12	241542001	A B C	Diffuser, air, top
13	240362601	A B C	Diffuser, air, bottom
14 #	241554901	A B C	Switch-light/lamp
15	241555401	A B C	Light Bulb
16	241559801	A B C	Socket-light
17	240368001	A B C	Control Box
17*	240568607	A B C	Seal
17*#	240388701	A B C	Wiring Harness, control box
18	240360801	A B C	Knob, temp control
21 #	5304421256	A B C	Control, temperature
22A	240468201	A B C	Tube, sensor sleeve, 31 inch, plastic, white
23#	241621501	A B C	Timer-defrost
23*	5303001259	A B C	Screw-timer mtg, pan hd, 6-20 x 0.438, (2)
24	240360902	A B C	Shelf, sliding, wire
25	240364706	A B C	Cover, crisper pan
26	240364501	A B C	Pan, crisper, (2)
81	5308016566	A B C	Screw, hex washer head, 8-15A x 0.625, low profile

SYSTEM

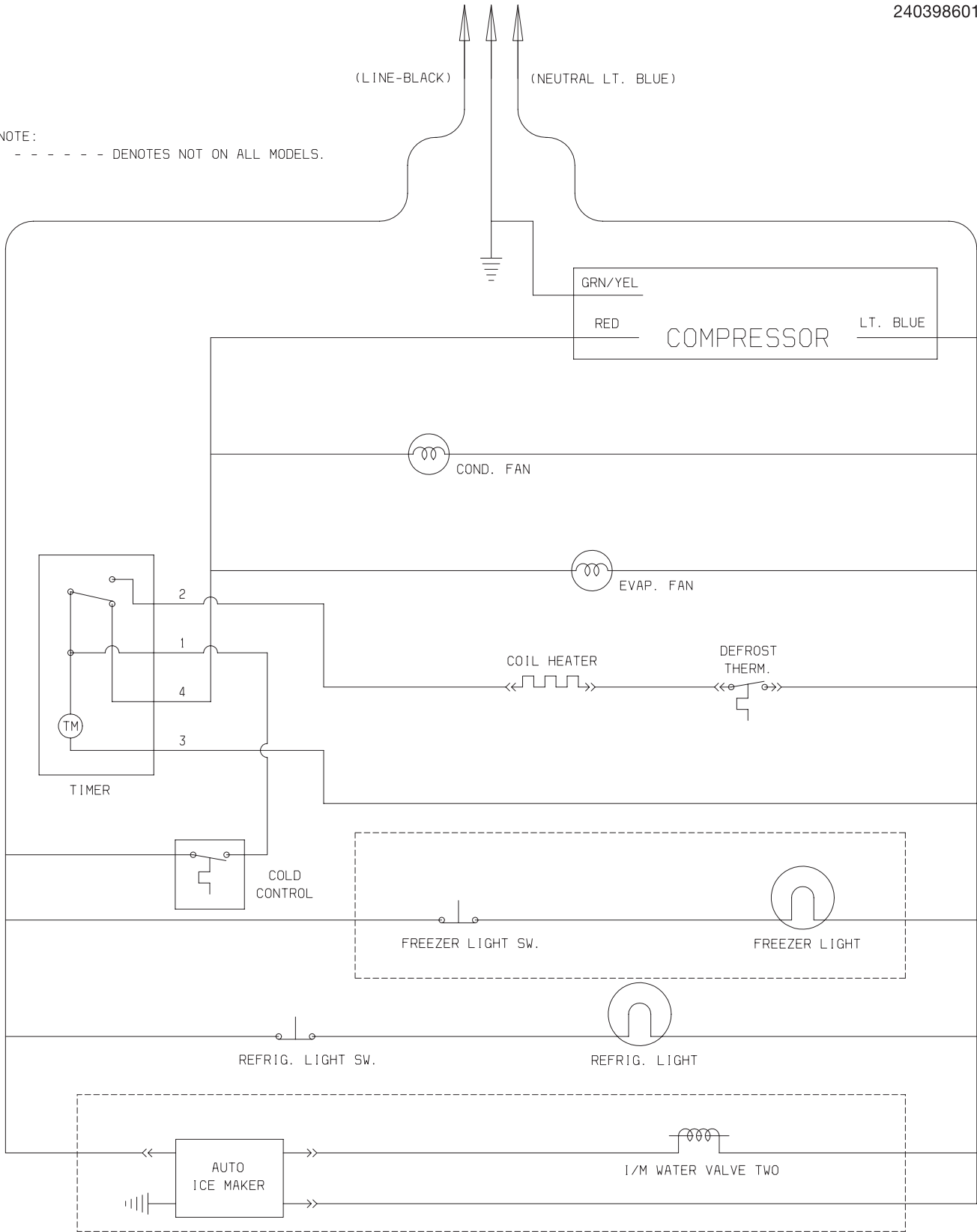
Model Index: **A** FRT15HB3D (FRT15HB3DQ5)
 B FRT15HB3D (FRT15HB3DW5)
 C FRT15HB3D (FRT15HB3DZ5)

POS. NO	PART NO.		DESCRIPTION
1	241665701	A B C	Condenser, dynamic
4 #	218944001	A B C	Drier-filter, R134a System
6	240496101	A B C	Wiring Harness, machine compt, w/electric cord
6*	241520701	A B C	Harness-wiring, freezer
6* #	240388701	A B C	Wiring Harness, control box
14 #	240356213	A B C	Heater-defrost
15 #	5303918275	A B C	Evaporator Kit
16	5308000110	A B C	Strap-evap/heater, aluminum, (2)
17	241551802	A B C	Trough-drain
20	241551901	A B C	Insulation Block
21 #	5303918202	A B C	Thermostat-defrost, kit
22	241665401	A B C	Base-compressor
22*	218252200	A B C	Screw, #8 truss hd, 10-32CA x 0.500
23	218513300	A B C	Grommet-compr mtg, (4)
25	240491501	A B C	Screw-compressor mtg, 1/4-28 x 1.16, shoulder, typ CF
26	240332608	A B C	Pan-defrost drain
29 #	5303918299	A B C	Compressor, w/electricals
30 #	241527802	A B C	Starter
32	241544101	A B C	Clamp, elec cont mtg, compressor, bale wire
34	240405201	A B C	Grommet, rubber, black, cond tube/wire
41	240433202	A B C	Screw, hex washer head, 8-18 x 5/16
44	5303001199	A B C	Clamp-wiring harness, strain relief, galv steel
45	5308016566	A B C	Screw, hex washer head, 8-15A x 0.625, low profile
55	218909915	A B C	Capacitor, run, 220 VAC, 15 microfarad
57	240542601	A B C	Clip-wiring harness
58	218897002	A B C	Screw, hex washer head, 8-32 x 0.375
59	5304430246	A B C	Bracket-cond motor assy
59*	240346701	A B C	Tape-foam seal, shroud
59*	240359401	A B C	Screw-fan shroud, (2)
60	240525402	A B C	Motor, condensor fan
61 #	240524101	A B C	Fan Blade, galv steel, condenser fan
82	5304418225	A B C	Roller, compressor base, rear, (2)
83	5303316859	A B C	Rivet, flat head, 1/4 OD x 1-3/4, roller pin
84	240500801	A B C	Tube-drain, rubber, lower
85	240553501	A B C	Tube-connector, suction
* #	240396801	A B C	Clamp, tube/wiring, nylon, black/natural
*	5303918263	A B C	Heat Exchanger Kit, suction line
* #	5303918222	A B C	Hot Tube Repair Kit, service

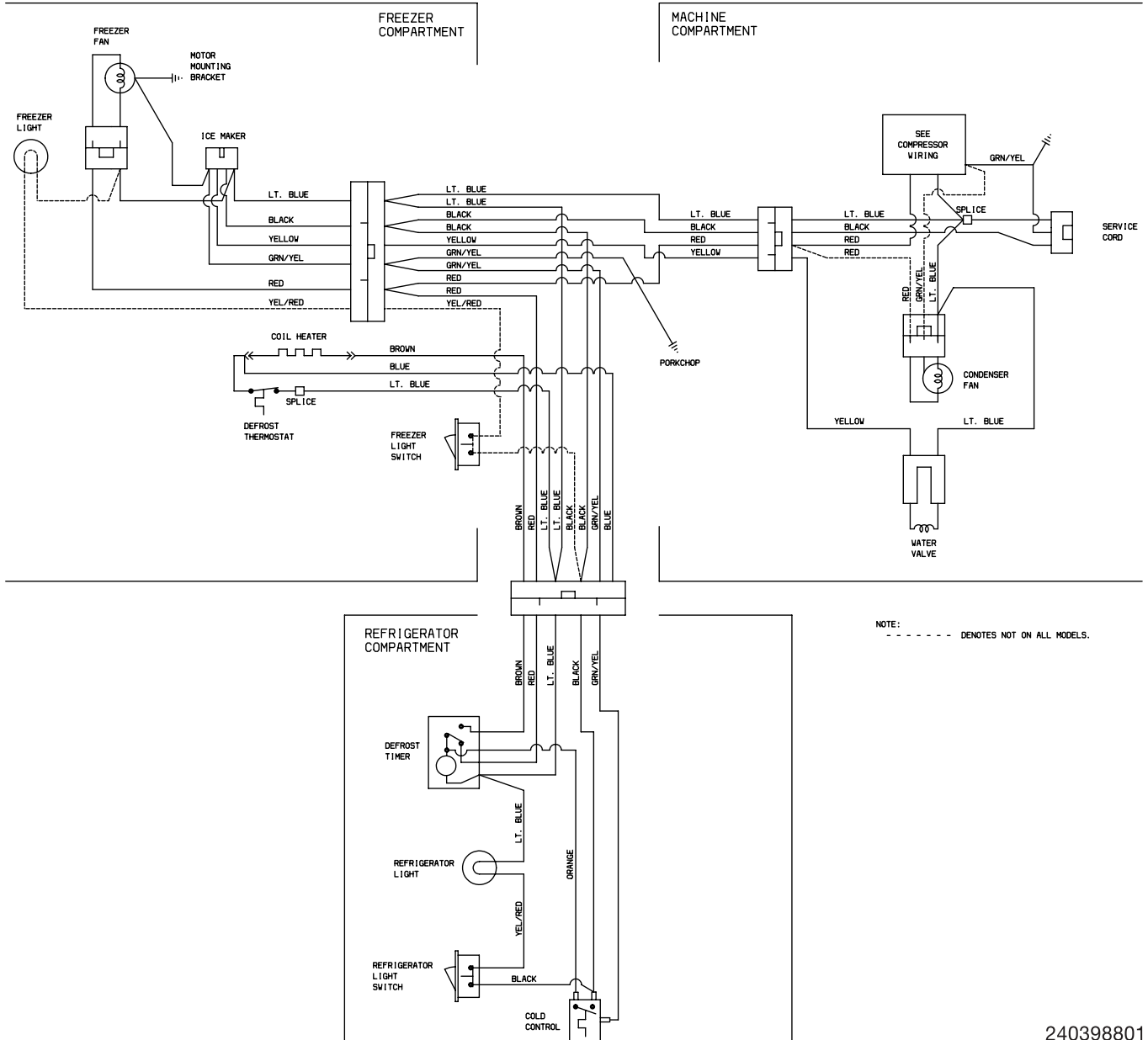
WIRING SCHEMATIC

240398601

NOTE:
- - - - - DENOTES NOT ON ALL MODELS.



WIRING DIAGRAM



240398801