

Frigidaire

Factory Parts Catalog

| | | | |
|---------------------------|---------------|---------------|---------------|
| Product No. | FRT18IS6CBJ | FRT18IS6CQJ | FRT18IS6CWJ |
| Series | R134a | R134a | R134a |
| Color | black | bisque | white |
| Volts | 115 | 115 | 115 |
| Wiring Diagram | 240398801 | 240398801 | 240398801 |
| Owner's Guide | 240400113 | 240400113 | 240400113 |
| Market | North America | North America | North America |
| Energy Guide | 240572138 | 240572138 | 240572138 |
| Service Data Sheet | 240379017 | 240379017 | 240379017 |
| Installation Instructions | 240568301 | 240568301 | 240568301 |



Electrolux Major Appliances
 North & Latin America
 P.O. BOX 212378
 AUGUSTA, GA 30917

Publication No.
5995457255
 05/12/29
 (EN/SERVICE/KHB)
 390

**TOP-MOUNT
 REFRIGERATOR WITH
 ICE-MAKER**

**Model No.
 FRT18IS6C**

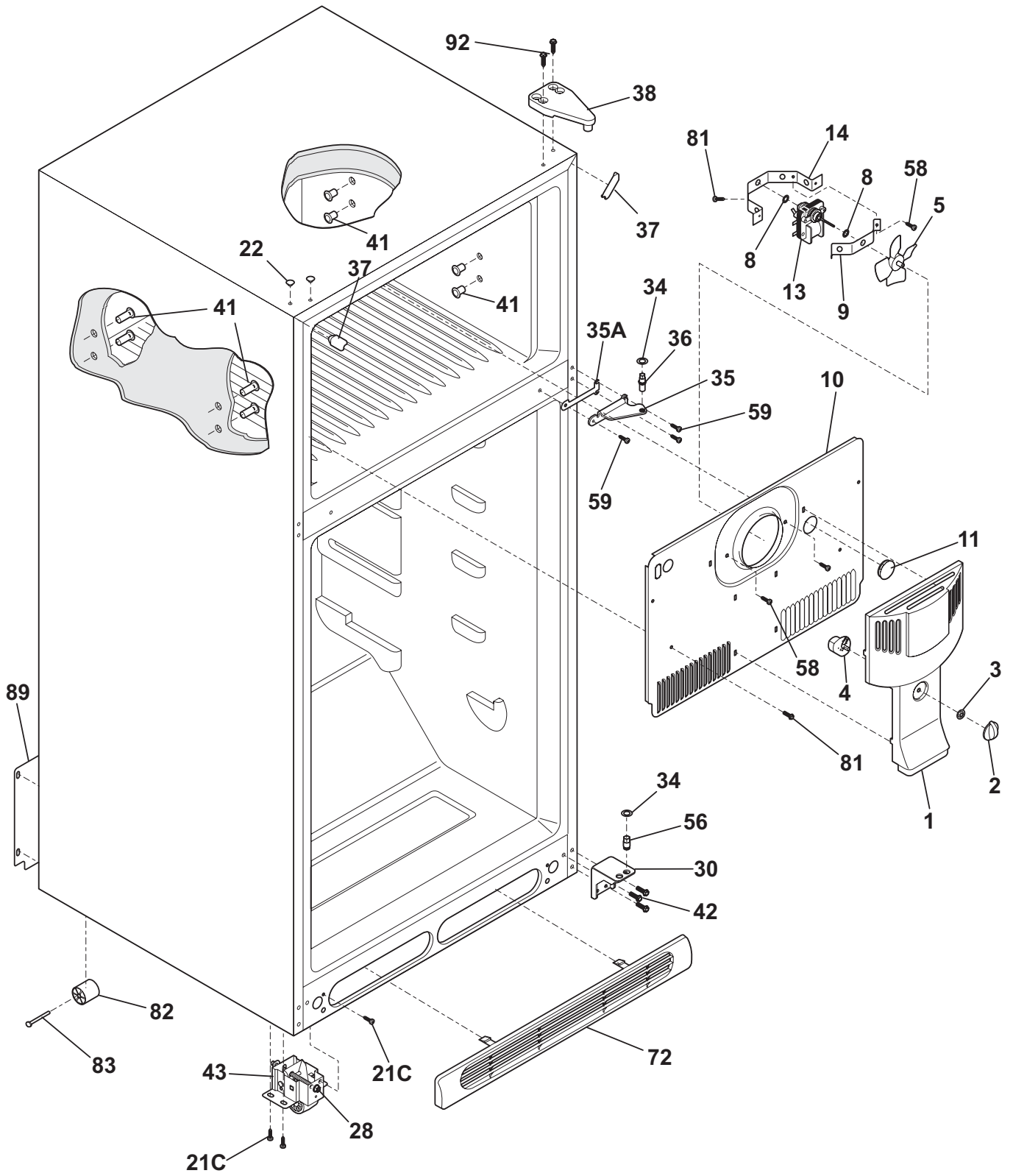
Copyright © 2005 Electrolux Home Products, Inc.
 All rights reserved.

DOOR

Model Index: A FRT18IS6C (FRT18IS6CBJ)
 B FRT18IS6C (FRT18IS6CQJ)
 C FRT18IS6C (FRT18IS6CWJ)

| POS. NO | PART NO. | | DESCRIPTION |
|---------|-----------|-------|--|
| 1 | 240542121 | A - - | Gasket-frzr door, black, magnetic |
| 1 | 240542115 | - B C | Gasket-frzr door, white, magnetic |
| 2 | 240542124 | A - - | Gasket-refr door, black, magnetic |
| 2 | 240542118 | - B C | Gasket-refr door, white, magnetic |
| 7 | 240337703 | A B C | Door-dairy, w/o graphics, clear |
| 10 | 240381303 | A - - | Plug-button, black, hinge brg hole |
| 10 | 240381302 | - B - | Plug-button, bisque, hinge brg hole, (2) |
| 10 | 240381301 | - - C | Plug-button, white, hinge brg hole, (2) |
| 11 | 240409919 | A - - | Door, frzr, black |
| 11 | 240409902 | - B - | Door-frzr, bisque, complete assy |
| 11 | 240409901 | - - C | Door-frzr, white, complete assy |
| 12 | 240416304 | A - - | Nameplate, black |
| 12 | 240416303 | - B - | Label-nameplate, bisque |
| 12 | 240416301 | - - C | Label-nameplate, white |
| 13 | 240312405 | A - - | Door Stop, black, refr |
| 13 | 240312407 | - B - | Door Stop, bisque, ref |
| 13 | 240312403 | - - C | Door Stop, white, ref |
| 13A | 240312406 | A - - | Door Stop, black, frzr |
| 13A | 240312408 | - B - | Door Stop, bisque, frzr |
| 13A | 240312404 | - - C | Door Stop, white, frzr |
| 14 | 240494003 | A - - | Plug-button, black |
| 14 | 240494002 | - B - | Plug-button, bisque |
| 14 | 240494001 | - - C | Plug-button, white |
| 14B | 240383603 | A - - | Plug-button, black, door handle |
| 14B | 240383602 | - B - | Plug-button, bisque, door handle |
| 14B | 240383601 | - - C | Plug-button, white, door handle |
| 15 | 240410125 | A - - | Door, refr, black |
| 15 | 240410002 | - B - | Door-refr, bisque, complete assy |
| 15 | 240410001 | - - C | Door-refr, white, complete assy |
| 18 | 240339203 | A - - | Handle-door, black, refr-LH/frzr-RH |
| 18 | 240339204 | - B - | Handle-door, bisque, refr-LH/frzr-RH |
| 18 | 240339201 | - - C | Handle-door, white, refr-LH/frzr-RH |
| 18A | 240339208 | A - - | Handle-door, black, refr-RH/frzr-LH |
| 18A | 240339209 | - B - | Handle-door, bisque, refr-RH/frzr-LH |
| 18A | 240339206 | - - C | Handle-door, white, refr-RH/frzr-LH |
| 21 | 240383401 | A B C | Screw, truss hd quad, #10-16 x .500 |
| 21C | 218252200 | A B C | Screw, #8 truss hd, 10-32CA x 0.500 |
| 22 | 240527102 | A - - | Bearing-hinge, black |
| 22 | 240527101 | - B C | Bearing-hinge, natural color |
| 48 | 240338101 | A B C | Bin-door, pseudo, bottom |
| 48A | 240337901 | A B C | Bin-door, refr |
| 48B | 240338001 | A B C | Bin-door, pseudo, gallon, refr |
| 49 | 240495804 | A B C | Bin-door, pseudo, frzr |

CABINET



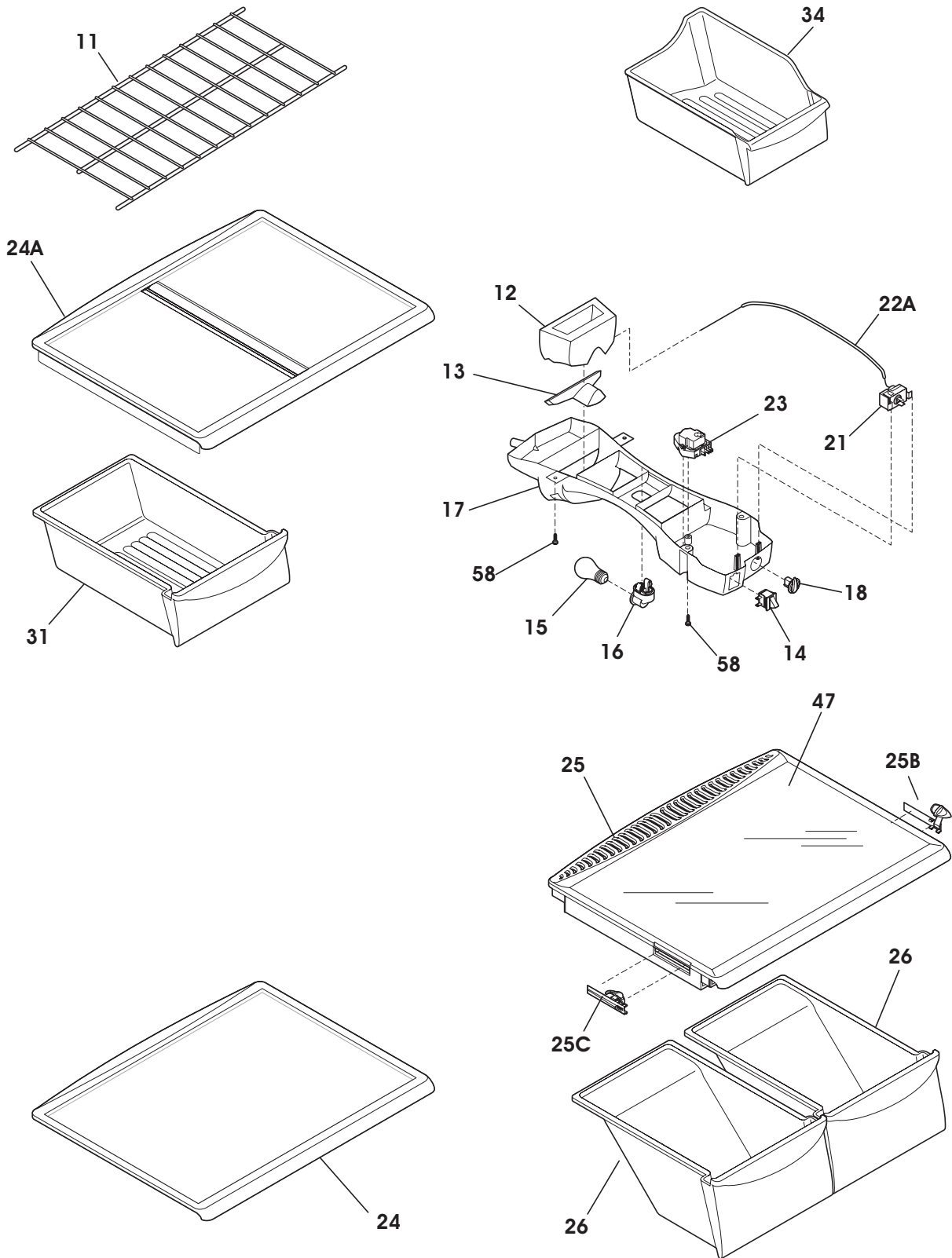
N05BBAAAA12

CABINET

Model Index: A FRT18IS6C (FRT18IS6CBJ)
 B FRT18IS6C (FRT18IS6CQJ)
 C FRT18IS6C (FRT18IS6CWJ)

| POS. NO | PART NO. | | DESCRIPTION |
|---------|------------|-------|--|
| 1 | 241652301 | A B C | Cover-fan |
| 2 | 240367001 | A B C | Knob-damper control |
| 3 | 5303001028 | A B C | Nut, push-on |
| 4 | 241523701 | A B C | Damper-fan cover |
| 5 # | 5308000010 | A B C | Fan Blade, red, evaporator fan |
| 8 | 5300157666 | A B C | Bushing-motor mtg, (2) |
| 9 | 5303292396 | A B C | Bracket-motor mtg, front |
| 10 | 241652210 | A B C | Cover-evap coil |
| 10* | 240568601 | A B C | Seal-coil cover |
| 10* | 241520701 | A B C | Harness-wiring, freezer |
| 11 | 5303208309 | A B C | Plug-hole, factory test |
| 13 # | 240369702 | A B C | Motor-evap fan |
| 13* | 215474201 | A B C | Washer, "slinger", nylon, evap fan shaft |
| 13* | 218931001 | A B C | Clamp-motor wiring, nylon, w/adhesive tape |
| 14 | 5303292397 | A B C | Bracket-motor mtg, rear |
| 14* | 240433201 | A B C | Screw, hex washer head, 8-18 x 0.375 |
| 21C | 218252200 | A B C | Screw, #8 truss hd, 10-32CA x 0.500 |
| 22 | 215774918 | A - - | Plug-button, black, upr hinge holes |
| 22 | 215774919 | - B - | Plug-button, bisque, upr hinge holes |
| 22 | 215774901 | - - C | Plug-button, white, upr hinge holes |
| 28 | 240335501 | A B C | Bolt-roller adj, hex washer head, 1/4-20 x 4.020, (2), special |
| 30 | 240314003 | A - - | Bracket-lower hinge, black |
| 30 | 240314001 | - B C | Bracket-lower hinge, zinc |
| 34 | 240311303 | A B C | Washer, hinge, nylon, (2) |
| 35 | 240313803 | A - - | Bracket-ctr hinge, black |
| 35 | 240313801 | - B C | Bracket-ctr hinge, zinc |
| 35A | 240336802 | A B C | Spacer-hinge, center |
| 36 | 240516401 | A B C | Pin-center hinge |
| 37 | 241611303 | A - - | Trim-cabinet corner, black, (2) |
| 37 | 241611304 | - B - | Trim-cabinet corner, bisque, (2) |
| 37 | 241611301 | - - C | Trim-cabinet corner, white, (2) |
| 38 | 241622603 | A - - | Bracket-upper hinge, plastic, black |
| 38 | 241622604 | - B - | Bracket-upper hinge, plastic, bisque |
| 38 | 241622601 | - - C | Bracket-upper hinge, plastic, white |
| 41 | 5308009759 | A B C | Grommet, shelf mtg, 1.25", LH, (4) |
| 42 | 240578901 | A B C | Screw-hinge mtg, hex head, 1/4-20 x 5/8 |
| 43 | 240335003 | A B C | Roller Assy, adjustable, front, (2) |
| 56 | 240516501 | A B C | Pin-lower hinge |
| 58 | 240433202 | A B C | Screw, hex washer head, 8-18 x 5/16 |
| 59 | 240442703 | A - - | Screw-#10-32 X 3/4, black |
| 59 | 240442701 | - B C | Screw-#10-32 X 3/4, zinc |
| 72 | 240368207 | A - - | Grille/Kickplate, black |
| 72 | 240368206 | - B - | Grille/Kickplate, bisque |
| 72 | 240368205 | - - C | Grille/Kickplate, white |
| 81 | 5308016566 | A B C | Screw, hex washer head, 8-15A x 0.625, low profile |
| 82 | 5304418225 | A B C | Roller, compressor base, rear, (2) |
| 83 | 5303316859 | A B C | Rivet, flat head, 1/4 OD x 1-3/4, roller pin |
| 89 | 241574607 | A B C | Cover-access, w/label |
| 89* | 241500302 | A B C | Screw, hex washer head, 8-18AB x 0.625 |
| 92 | 241624301 | A B C | Screw-hinge mtg, hex head, 1/4-20 x 1.00 |
| * | 5303321321 | A - - | Paint, touch-up, black |
| * | 5304414035 | - B - | Paint, touch-up, bisque |
| * | 5303305324 | - - C | Paint, touch-up, white |

SHELVES



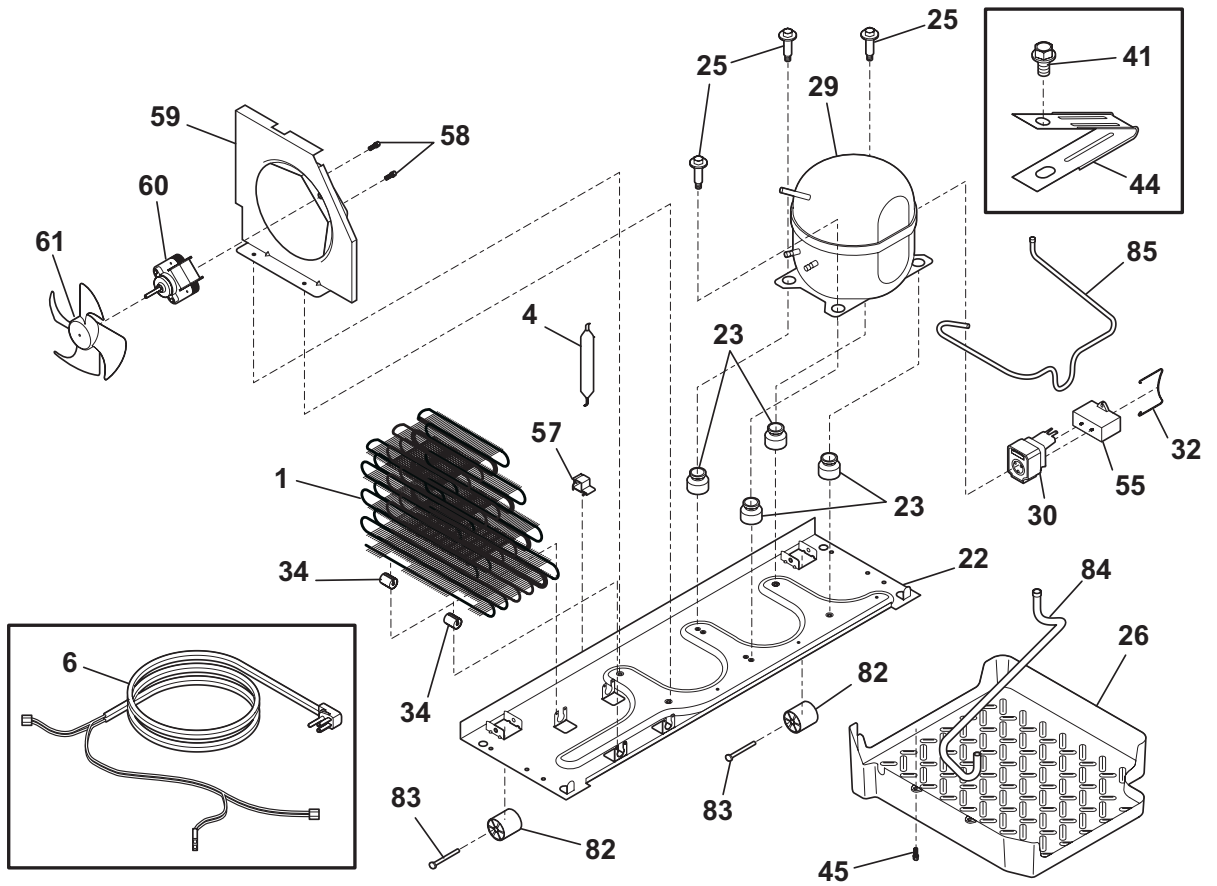
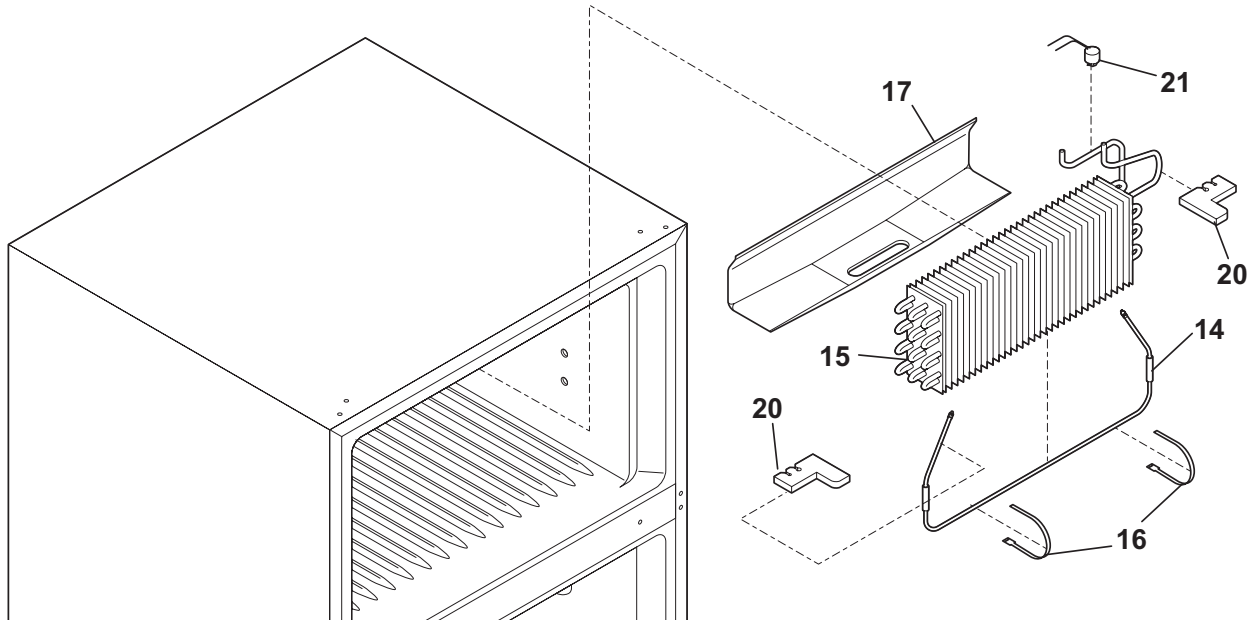
N05SACAFI17

SHELVES

Model Index: A FRT18IS6C (FRT18IS6CBJ)
 B FRT18IS6C (FRT18IS6CQJ)
 C FRT18IS6C (FRT18IS6CWJ)

| POS. NO | PART NO. | | DESCRIPTION |
|---------|------------|-------|--|
| 11 | 240358005 | A B C | Shelf, freezer, full-width, wire |
| 12 | 241542001 | A B C | Diffuser, air, top |
| 13 | 240362601 | A B C | Diffuser, air, bottom |
| 14 # | 241554901 | A B C | Switch-light/lamp |
| 15 | 240436702 | A B C | Light Bulb/Lamp, A-15, clear, 40 W, 120 V, miniature |
| 16 | 241559801 | A B C | Socket-light |
| 17 | 240352701 | A B C | Control Box |
| 17* | 240568607 | A B C | Seal |
| 17*# | 240388701 | A B C | Wiring Harness, control box |
| 18 | 240360801 | A B C | Knob, temp control |
| 21 # | 5304421256 | A B C | Control, temperature |
| 22A | 240468201 | A B C | Tube, sensor sleeve, 31 inch, plastic, white |
| 23 # | 241621501 | A B C | Timer-defrost |
| 23* | 5303001259 | A B C | Screw-timer mtg, pan hd, 6-20 x 0.438, (2) |
| 24 | 240358905 | A B C | Shelf-"Spill-Safe", sliding |
| 24A | 240358906 | A B C | Shelf-"Spill-Safe", sliding, w/pan hanger |
| 25 | 240364714 | A B C | Cover-crisper pan |
| 25B | 241613501 | A B C | Control-humidity, RH |
| 25C | 241613502 | A B C | Control-humidity, LH |
| 26 | 240337107 | A B C | Pan-crisper, clear, (2), no graphics |
| 31 | 240530810 | A B C | Pan, meat bin |
| 34 | 240385201 | A B C | Container, ice bin |
| 47 | 240350643 | A B C | Insert-pan cover, glass |
| 58 | 5308016566 | A B C | Screw, hex washer head, 8-15A x 0.625, low profile |

SYSTEM



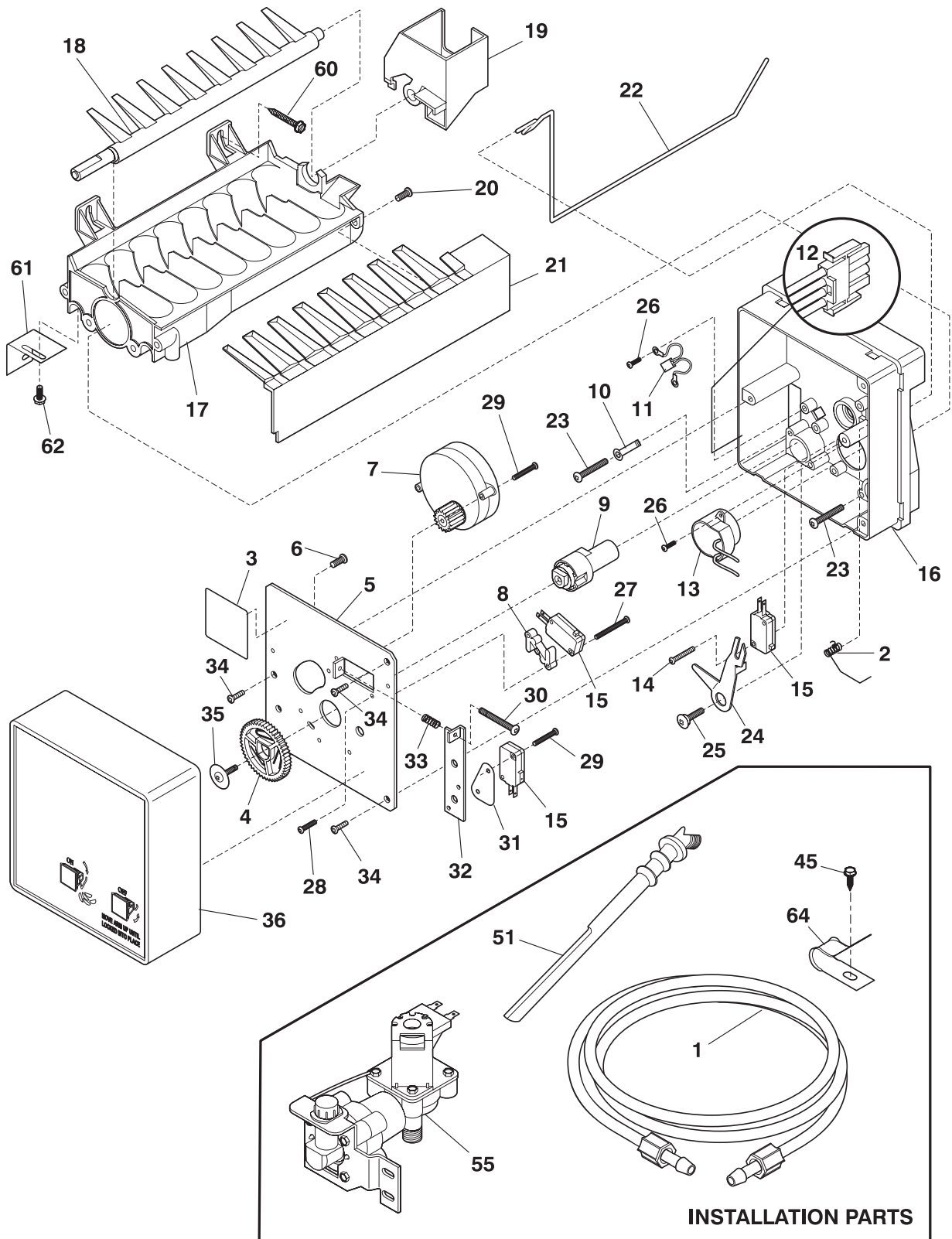
N05CAAAAA18

SYSTEM

Model Index: A FRT18IS6C (FRT18IS6CBJ)
 B FRT18IS6C (FRT18IS6CQJ)
 C FRT18IS6C (FRT18IS6CWJ)

| POS. NO | PART NO. | | DESCRIPTION |
|---------|------------|-------|---|
| 1 # | 241682901 | A B C | Condenser, dynamic |
| 4 # | 218944001 | A B C | Drier-filter, R134a System |
| 6 # | 241607001 | A B C | Harness-wiring, machine compt |
| 6* | 241520701 | A B C | Harness-wiring, freezer |
| 6* # | 240388701 | A B C | Wiring Harness, control box |
| 14# | 240356214 | A B C | Heater-defrost |
| 15 # | 5303918274 | A B C | Evaporator Kit |
| 16 | 5308000110 | A B C | Strap-evap/heater, aluminum, (2) |
| 17 | 241551801 | A B C | Trough-drain |
| 20 | 241551901 | A B C | Insulation Block |
| 21 # | 5303918202 | A B C | Thermostat-defrost, kit |
| 22 | 241665501 | A B C | Base-compressor |
| 22* | 218252200 | A B C | Screw, #8 truss hd, 10-32CA x 0.500 |
| 23 | 218513300 | A B C | Grommet-compr mtg, (4) |
| 25 | 240491501 | A B C | Screw-compressor mtg, 1/4-28 x 1.16, shoulder, typ CF |
| 26 | 240332608 | A B C | Pan-defrost drain |
| 29 # | 5303918325 | A B C | Compressor, w/electricals |
| 30 | 216954201 | A B C | Controller, compressor |
| 32 | 216954300 | A B C | Clip, controller |
| 34 | 240405201 | A B C | Grommet, rubber, black, cond tube/wire |
| 41 | 240433202 | A B C | Screw, hex washer head, 8-18 x 5/16 |
| 44 | 5303001199 | A B C | Clamp-wiring harness, strain relief, galv steel |
| 45 | 5308016566 | A B C | Screw, hex washer head, 8-15A x 0.625, low profile |
| 55 | 218909913 | A B C | Capacitor, run, 220 VAC, 15 microfarad |
| 57 | 240542601 | A B C | Clip-wiring harness |
| 58 | 218897002 | A B C | Screw, hex washer head, 8-32 x 0.375 |
| 59 | 5304430246 | A B C | Bracket-cond motor assy |
| 59* | 240346701 | A B C | Tape-foam seal, shroud |
| 59* | 240359401 | A B C | Screw-fan shroud, (2) |
| 60 # | 240525402 | A B C | Motor, condensor fan |
| 61 # | 240524101 | A B C | Fan Blade, galv steel, condenser fan |
| 82 | 5304418225 | A B C | Roller, compressor base, rear, (2) |
| 83 | 5303316859 | A B C | Rivet, flat head, 1/4 OD x 1-3/4, roller pin |
| 84 | 240500801 | A B C | Tube-drain, rubber, lower |
| 85 | 241665801 | A B C | Tube-connector, suction |
| * # | 240396801 | A B C | Clamp, tube/wiring, nylon, black/natural |
| * | 5303918222 | A B C | Hot Tube Repair Kit, service |
| * # | 5303918263 | A B C | Heat Exchanger Kit, suction line |

ICE MAKER



N051115-1

ICE MAKER

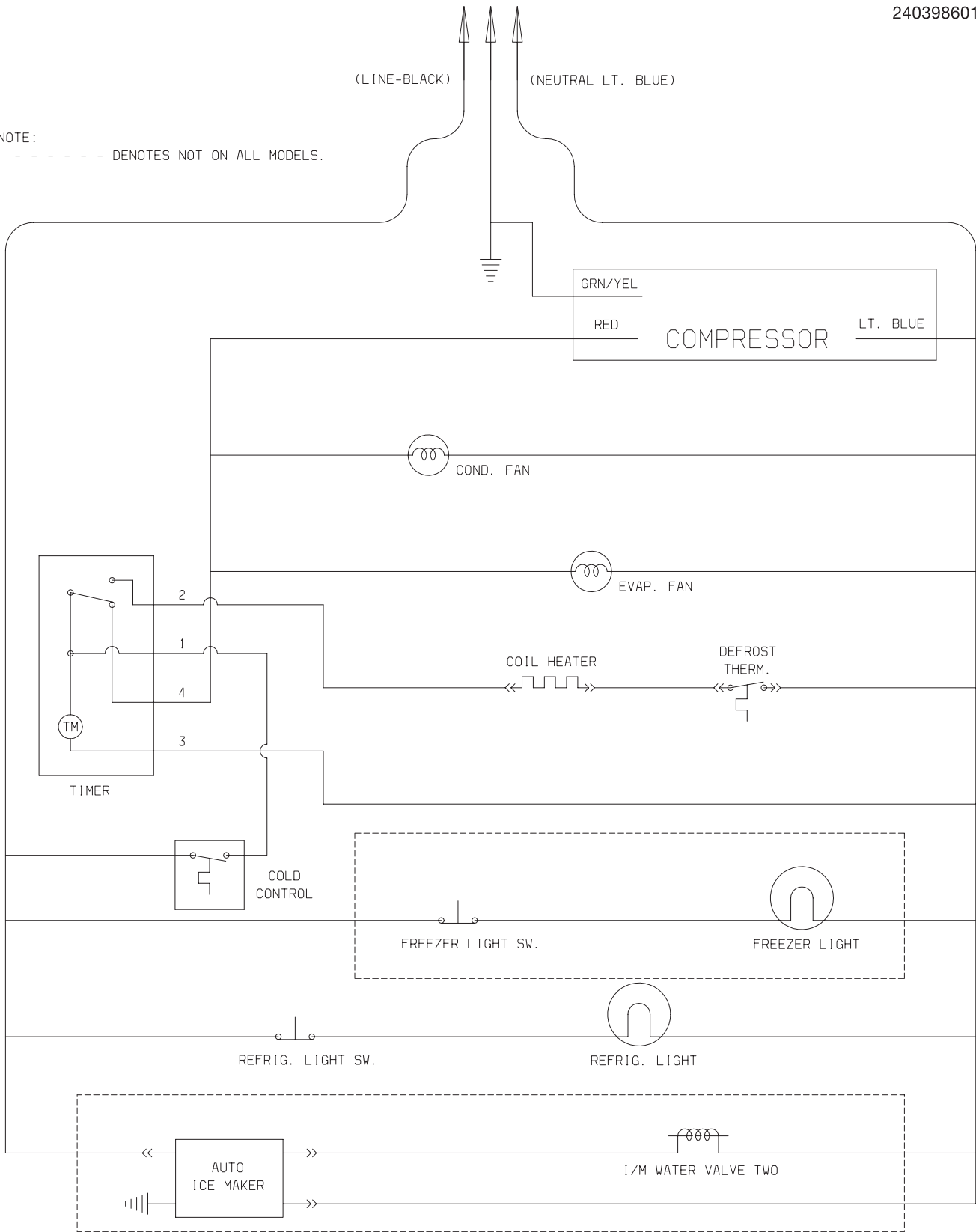
Model Index: A FRT18IS6C (FRT18IS6CBJ)
 B FRT18IS6C (FRT18IS6CQJ)
 C FRT18IS6C (FRT18IS6CWJ)

| POS. NO | PART NO. | | DESCRIPTION |
|---------|------------|-------|---|
| 1 | 218976901 | A B C | Tube-water inlet, inlet valve, to ice maker |
| 1* | 240561701 | A B C | Seal-water inlet, inlet valve, to ice maker |
| 2 | 5304420650 | A B C | Spring, shut-off arm |
| 3 | 3206299 | A B C | Label, ID plate |
| 4 | 3206301 | A B C | Gear |
| 5 | 3206303 | A B C | Plate-mounting |
| 6 | 3206305 | A B C | Screw-ground wire, 8-32 x 0.250 |
| 7 # | 3206306 | A B C | Motor-ice maker |
| 8 | 3206312 | A B C | Spacer-hold switch |
| 9 | 3206313 | A B C | Cam |
| 10 | 3206315 | A B C | Clamp |
| 11 | 3206319 | A B C | Thermal Cutoff, ICE MAKER, complete assy |
| 12 # | 5304420651 | A B C | Wiring Harness, ICE MAKER, internal, with plug |
| 12* | 218843800 | A B C | Screw, hex wshr hd, 8-15A x 0.500 |
| 13 | 3206322 | A B C | Thermostat Assy, ICE MAKER |
| 14 | 5304420652 | A B C | Screw, 4 x 0.750, switch mtg. |
| 15 # | 3206324 | A B C | Switch, (3) |
| 16 | 5304420653 | A B C | Support, phenolic |
| 17 # | 5303320545 | A B C | Mold-ice maker, Radius Cube, with heater |
| 18 | 3206328 | A B C | Ejector-ice |
| 19 | 3206330 | A B C | Bearing & Inlet |
| 20 | 5304408581 | A B C | Screw, 8-32 x 0.375 |
| 21 | 3206332 | A B C | Ice Stripper |
| 22 | 3206333 | A B C | Shut-off Arm |
| 23 | 5304408582 | A B C | Screw, 8-32 x 0.875, mold-to-support, (3) |
| 24 | 3206335 | A B C | Lever Arm |
| 25 | 3206336 | A B C | Screw, 8-18 x 0.562, lever arm/sprt |
| 26 | 5304420654 | A B C | Screw-thermo/sprt, 4-24 x 0.375, (4) |
| 27 | 3206338 | A B C | Screw, 4-40 x 1.000, hold switch mtg, (2) |
| 28 | 3206339 | A B C | Screw-timing stop, 4-40 x 0.375 |
| 29 | 3206323 | A B C | Screw, 4-24 x 0.750, (6) |
| 30 | 3206341 | A B C | Screw-timing adj, 8-32 x 1.000 |
| 31 | 3206342 | A B C | Insulator |
| 32 | 3206343 | A B C | Plate-valve switch |
| 33 | 5304408583 | A B C | Spring-timing adj |
| 34 | 5304420655 | A B C | Screw, plazscrew, 8-10, (3) |
| 35 | 5304408585 | A B C | Screw |
| 36 | 3206347 | A B C | Cover-ice maker |
| 45 | 5303001343 | A B C | Screw, hex washer head, 8-15A x 0.500 |
| 51 | 241523501 | A B C | Tube-water, ice mold fill, extension |
| 55 # | 240519601 | A B C | Valve-water, single solenoid, 60 Hz, 105/120 V |
| 60 | 218362500 | A B C | Screw, hex washer head, 8-18AB x 1.250, spacer, (2) |
| 61 | 218721500 | A B C | Bracket-leveling, ICE MAKER |
| 62 | 218737900 | A B C | Screw-IM brkt mtg, hex washer head, 8-32D x 0.375 |
| 64 | 5303001549 | A B C | Clamp, 0.31 ID, steel, copper wtr line |
| * | 218888001 | A B C | Adapter-water supply, nut & sleeve, compression ftg |
| * | 240352409 | A B C | Ice Maker, Radius Cube, 115 V, no instl parts |

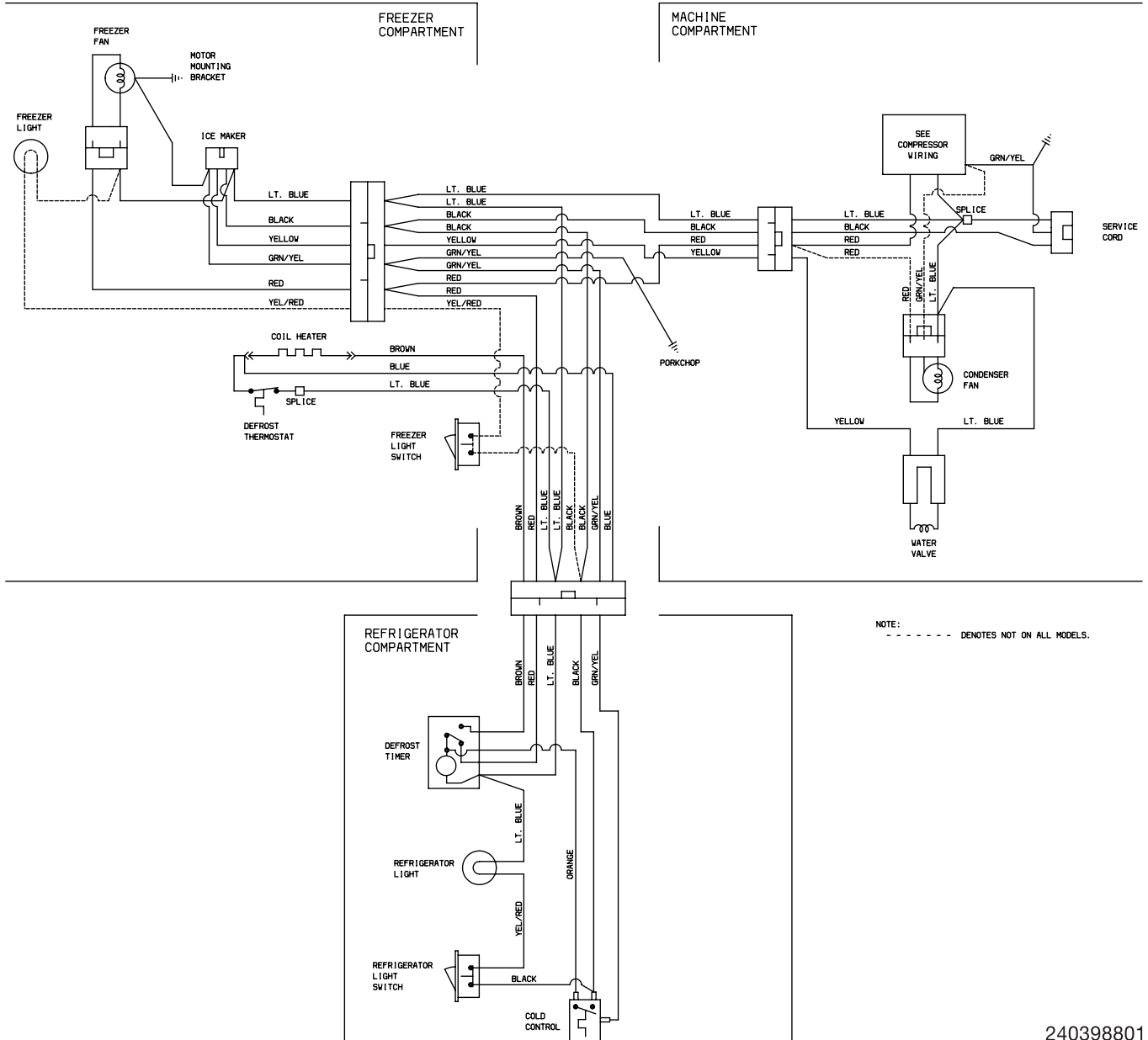
WIRING SCHEMATIC

240398601

NOTE:
- - - - - DENOTES NOT ON ALL MODELS.



WIRING DIAGRAM



240398801