

Frigidaire

Factory Parts Catalog

Product No.	FRT18S6AQJ
Series	R134a
Color	bisque
Volts	115
Wiring Diagram	240398801
Owner's Guide	240400112
Market	North America
Energy Guide	218791400
Service Data Sheet	240379015
Installation Instructions	240568300

 **Electrolux**

ELECTROLUX HOME PRODUCTS, INC.
P.O. Box 212378
Augusta, GA 30917

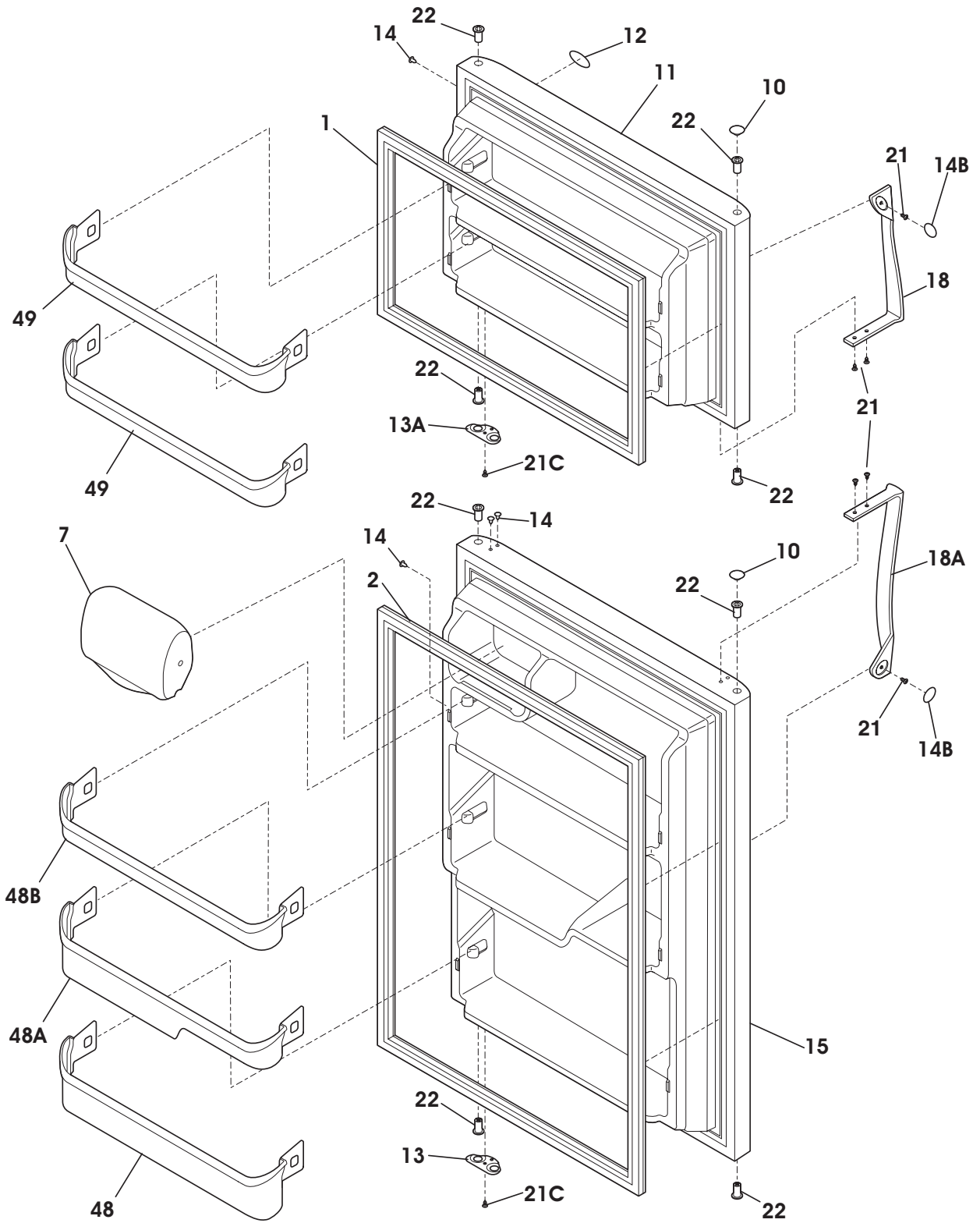
Publication No.
5995432738
05/03/29
(EN/SERVICE/WC)
390

**TOP-MOUNT
REFRIGERATOR**

Model No.
FRT18S6A

Copyright © 2005 Electrolux Home Products, Inc.
All rights reserved.

DOOR

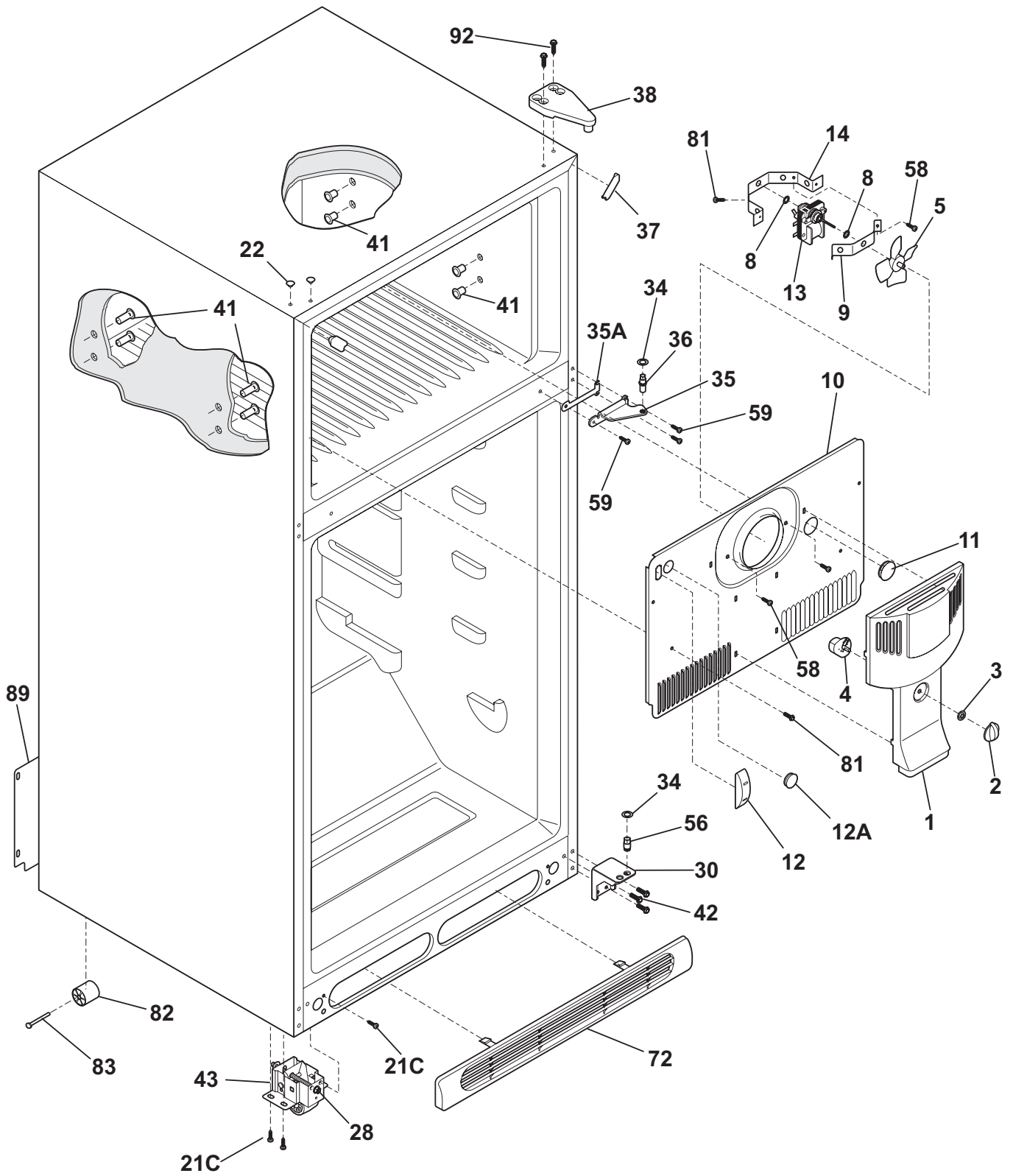


N05DCDBCA1

DOOR

POS. NO	PART NO.	DESCRIPTION
1	240542103	Gasket-frzr door, white, magnetic
2	240542106	Gasket-refr door, white, magnetic
7	240337703	Door-dairy, w/o graphics, clear
10	240381302	Plug-button, bisque, hinge brg hole, (2)
11	240409902	Panel-frzr door, bisque, complete assy
12	240416303	Label-nameplate, bisque
13	240312407	Door Stop, bisque, ref
13A	240312408	Door Stop, bisque, frzr
14	240494002	Plug-button, bisque
14B	240383602	Plug-button, bisque, door handle
15	240410002	Panel-refr door, bisque, complete assy
18	240339204	Handle-door, bisque
18A	240339209	Handle-door, bisque
21	240383401	Screw, truss hd quad, #10-16 x .500
21C	218252200	Screw, #8 truss hd, 10-32CA x 0.500
22	240527101	Bearing-hinge, natural color
48	240338101	Bin-door, pseudo, bottom
48A	240337901	Bin-door, refr
48B	240338001	Bin-door, pseudo, gallon, refr
49	240495804	Bin-door, pseudo, frzr

CABINET

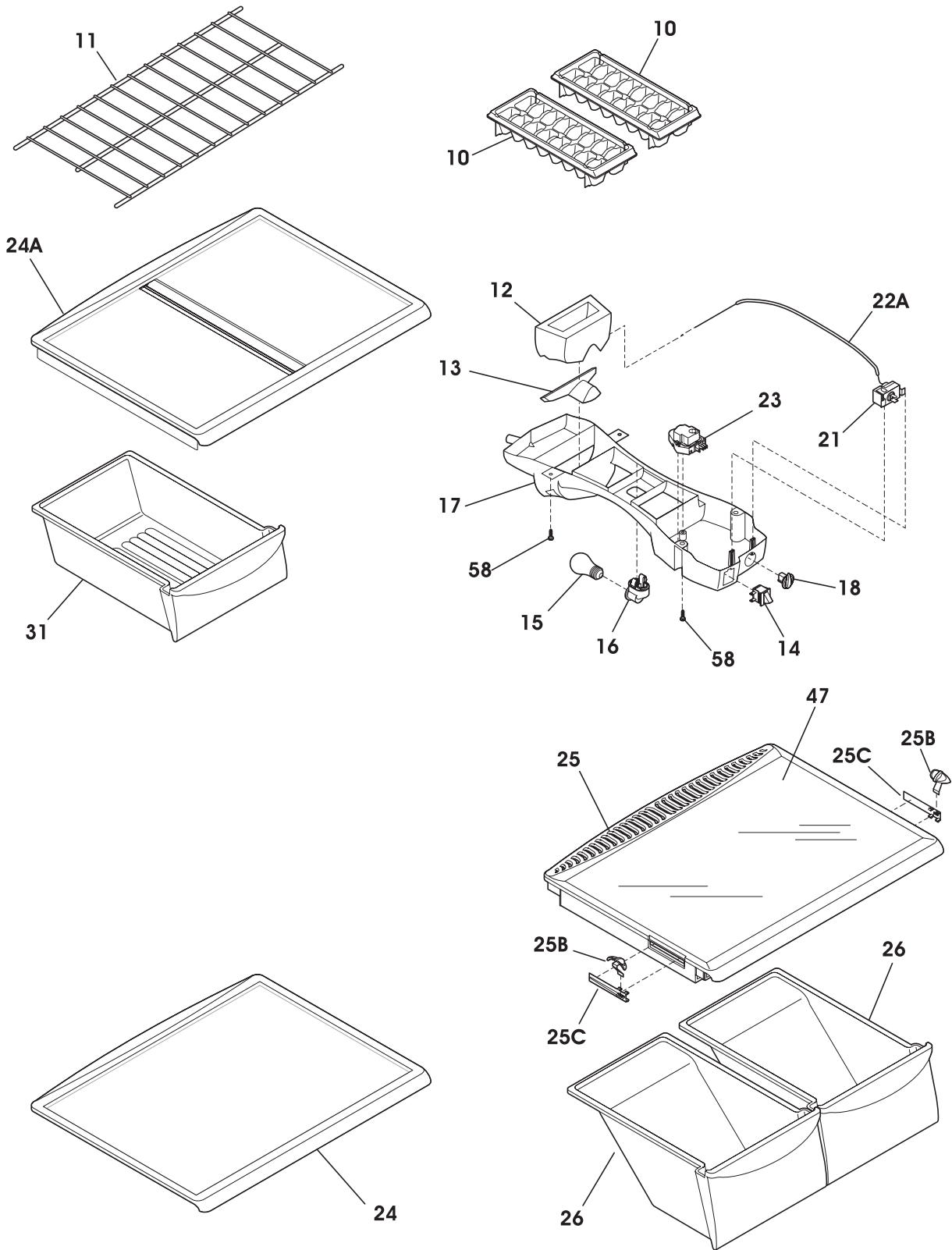


N05BBAABA22

CABINET

POS. NO	PART NO.	DESCRIPTION
1	240355401	Cover-fan
2	240367001	Knob-damper control
3	5303001028	Nut, push-on
4	241523701	Damper-fan cover
5 #	5308000010	Fan Blade, red, evaporator fan
8	5300157666	Bushing-motor mtg, (2)
9	5303292396	Bracket-motor mtg, front
10	240462010	Cover-evap coil
10*	240568601	Seal-coil cover
10*	241520701	Harness-wiring, freezer
11	5303208309	Plug-hole, factory test
12	241557601	Plug-ice maker harness, rectangular
12*	218843800	Screw, hex wshr hd, 8-15A x 0.500
12A	240374401	Plug-wtr inlet tube, round, 1"
12A*	241586701	Plug-foam-wtr-inlet, round
13	240369702	Motor-evap fan
13*	215474201	Washer, "slinger", nylon, evap fan shaft
13*	218931001	Clamp-motor wiring, nylon, w/adhesive tape
14	5303292397	Bracket-motor mtg, rear
14*	240433201	Screw, hex washer head, 8-18 x 0.375
21C	218252200	Screw, #8 truss hd, 10-32CA x 0.500
22	215774919	Plug-button, bisque, upr hinge holes
28	240335501	Bolt-roller adj, hex washer head, 1/4-20 x 4.020, (2), special
30	240314001	Bracket-lower hinge, zinc
34	240311303	Washer, hinge, nylon, (2)
35	240313801	Bracket-ctr hinge, zinc
35A	240336802	Spacer-hinge, center
36	240516401	Pin-center hinge
37	241611304	Trim-cabinet corner, bisque, (2)
38	241622604	Hinge-up-plastic-bis, plastic, bisque
41	5303001609	Grommet, shelf mtg, 0.69", RH
41*	5308009759	Grommet, shelf mtg, 1.25", LH, (4)
42	240578901	Screw-hinge mtg, hex head, 1/4-20 x 5/8
43	240335003	Roller Assy, front, (2)
56	240516501	Pin-lower hinge
58	5303001343	Screw, hex washer head, 8-15A x 0.500
59	240442701	Screw-#10-32 X 3/4, zinc
72	240368206	Grille/Kickplate, bisque
81	5308016566	Screw, hex washer head, 8-15A x 0.625, low profile
82	5304418225	Roller, compressor base, rear, (2)
83	5303316859	Rivet, flat head, 1/4 OD x 1-3/4, roller pin
89	241574607	Cover-access, w/label
89*	241500302	Screw, hex washer head, 8-18AB x 0.625
92	241624301	Screw-hinge mtg, hex head, 1/4-20 x 1.00
*	240479601	Plug, button, cab liner holes, (2)
*	5304414035	Paint, touch-up, bisque

SHELVES

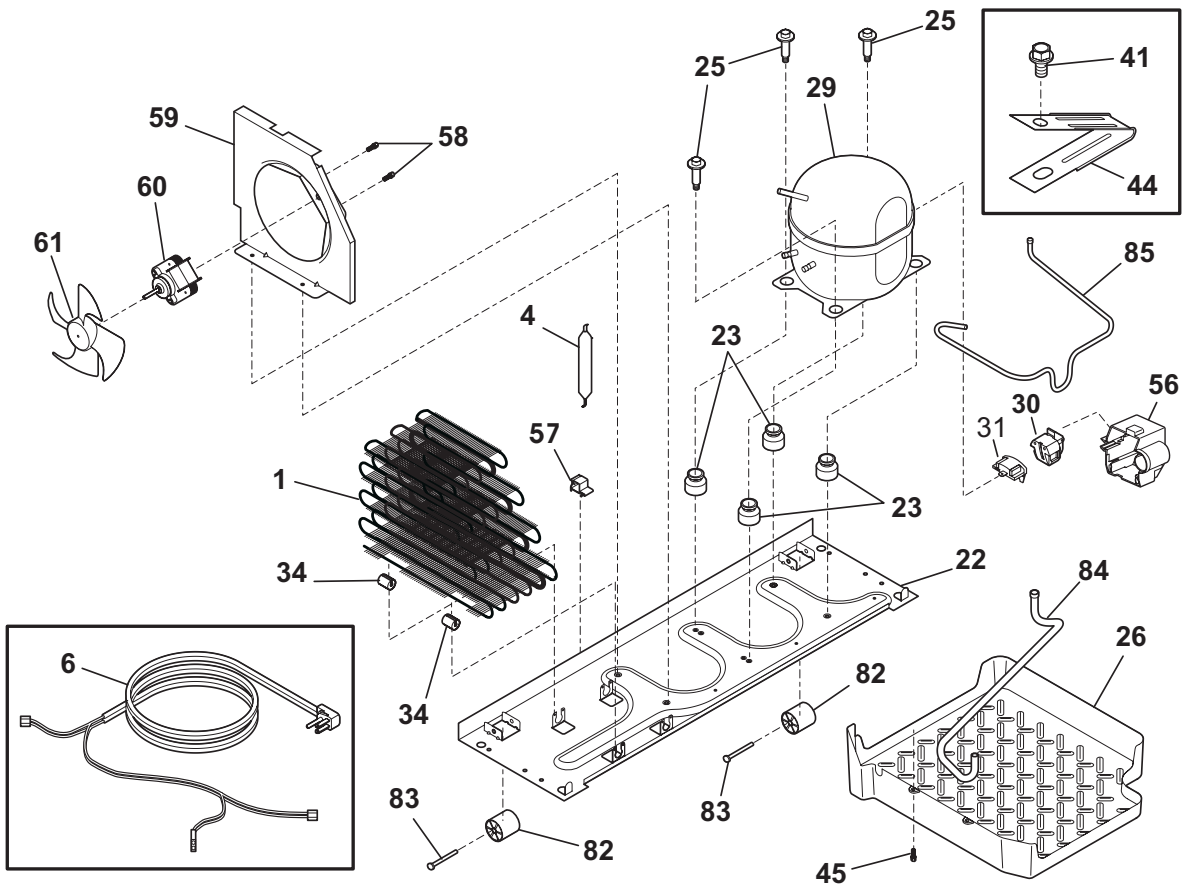
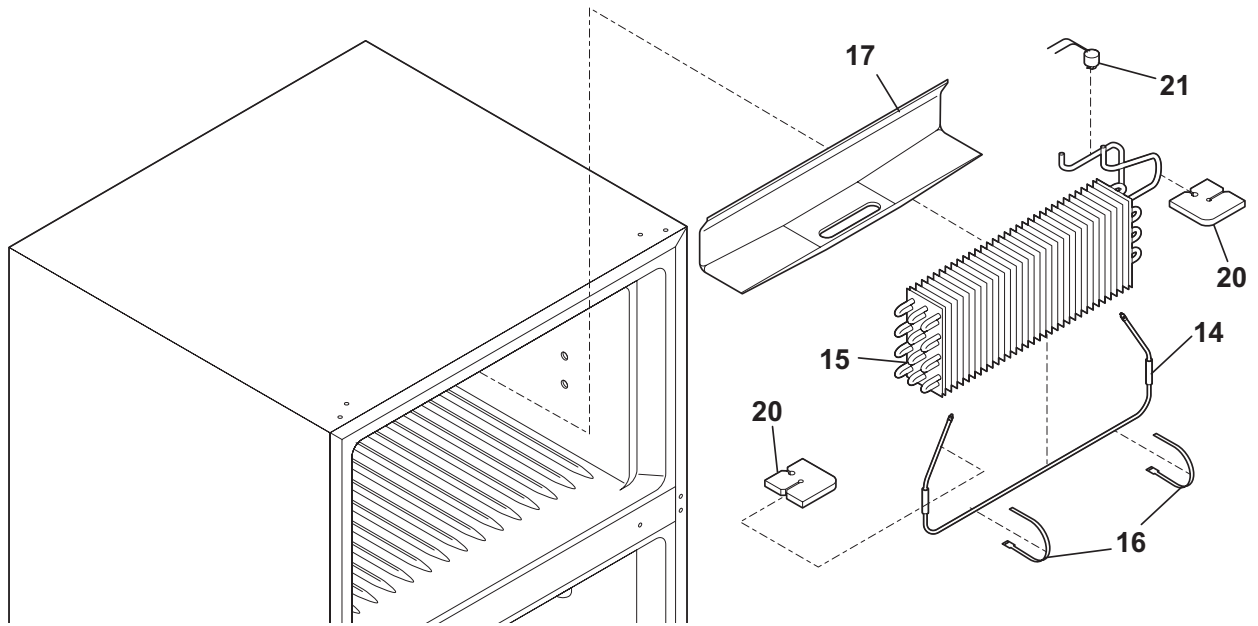


N05SAAAFI14

SHELVES

POS. NO	PART NO.	DESCRIPTION
10	215667501	Tray, ice cube, plastic
11	240358005	Shelf, freezer, full-width, wire
11	5303299664	Spacer, shelf
12	241542001	Diffuser, air, top
13	240362601	Diffuser, air, bottom
14 #	241554901	Switch-light/lamp
15	240436702	Light Bulb/Lamp, A-15, clear, 40 W, 120 V, miniature
16	241559801	Socket-light
17	240352701	Control Box
17*	240568607	Seal
17*#	240388701	Wiring Harness, control box
18	240360801	Knob, temp control
21 #	5304421256	Control, temperature
22A	240468201	Tube, sensor sleeve, 31 inch, plastic, white
23 #	241621501	Timer-defrost
23*	5303001259	Screw-timer mtg, pan hd, 6-20 x 0.438, (2)
24	240358905	Shelf-"Spill-Safe", sliding
24A	240358906	Shelf-"Spill-Safe", sliding, w/pan hanger
25	240364714	Cover-crisper pan
25B	240361201	Control-humidity
25C	240361301	Damper, humidity cont.
26	240337103	Pan-crisper, clear, (2), no graphics
26	240337107	Pan-crisper, clear, (2), no graphics
31	240530810	Pan, meat bin
47	240350643	Insert-pan cover, glass
58	5308016566	Screw, hex washer head, 8-15A x 0.625, low profile

SYSTEM



N05CABBAB5

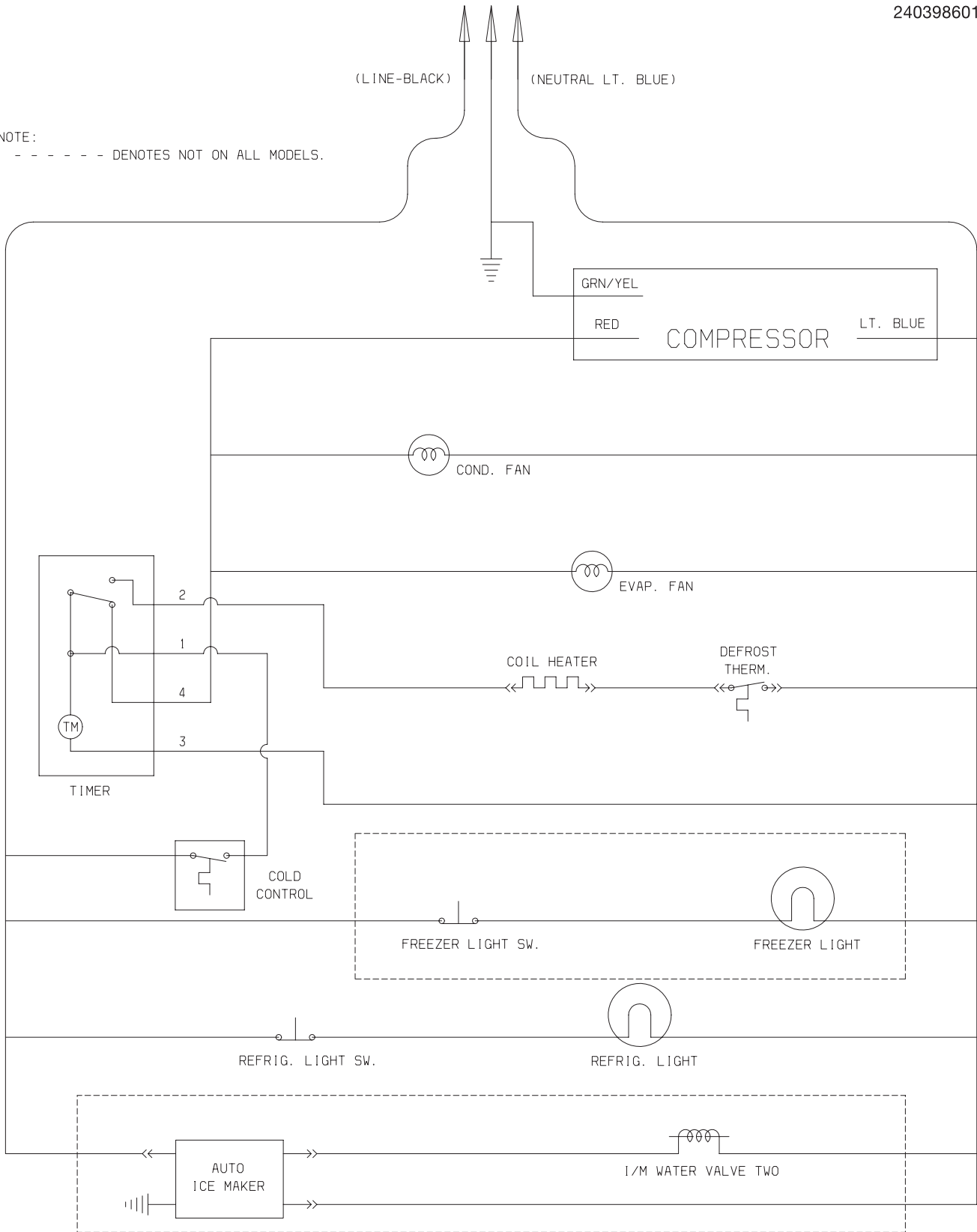
SYSTEM

POS. NO	PART NO.	DESCRIPTION
1 #	240444401	Condenser, dynamic
4 #	218944001	Drier-filter, R134a System
6	240581701	Harness-wiring, machine compt
6*	240581801	Harness-wiring, compressor
6*	241520701	Harness-wiring, freezer
6* #	240388701	Wiring Harness, control box
14 #	5303918208	Defrost Heater Kit
15 #	5303918274	Evaporator Kit
16	5308000110	Strap-evap/heater, aluminum, (2)
17	241551801	Trough-drain
20	241551901	Insulation Block
21 #	5303918202	Thermostat-defrost, kit
22	241602001	Base-compressor
22*	218252200	Screw, #8 truss hd, 10-32CA x 0.500
23	218513300	Grommet-compr mtg, (4)
25	240491501	Screw-compressor mtg, 1/4-28 x 1.16, shoulder, typ CF
26	240332608	Pan-defrost drain
29 #	5303918297	Compressor, w/electricals
30 #	5304433579	Relay
31 #	5304433578	Overload Protector
34	240405201	Grommet, rubber, black, cond tube/wire
41	240433202	Screw, hex washer head, 8-18 x 5/16
44	5303001199	Clamp-wiring harness, strain relief, galv steel
45	5308016566	Screw, hex washer head, 8-15A x 0.625, low profile
56	240582001	Cover-terminal
57	240542601	Clip-wiring harness
58	218897002	Screw, hex washer head, 8-32 x 0.375
59	5304430246	Bracket-cond motor assy
59*	240346701	Tape-foam seal, shroud
59*	240359401	Screw-fan shroud, (2)
60 #	240525402	Motor, condensor fan
61 #	240524101	Fan Blade, galv steel, condenser fan
82	5304418225	Roller, compressor base, rear, (2)
83	5303316859	Rivet, flat head, 1/4 OD x 1-3/4, roller pin
84	240500801	Tube-drain, rubber, lower
85	240493101	Tube-connector, suction
*	5303918222	Hot Tube Repair Kit, service
*	5303918263	Heat Exchanger Kit, suction line

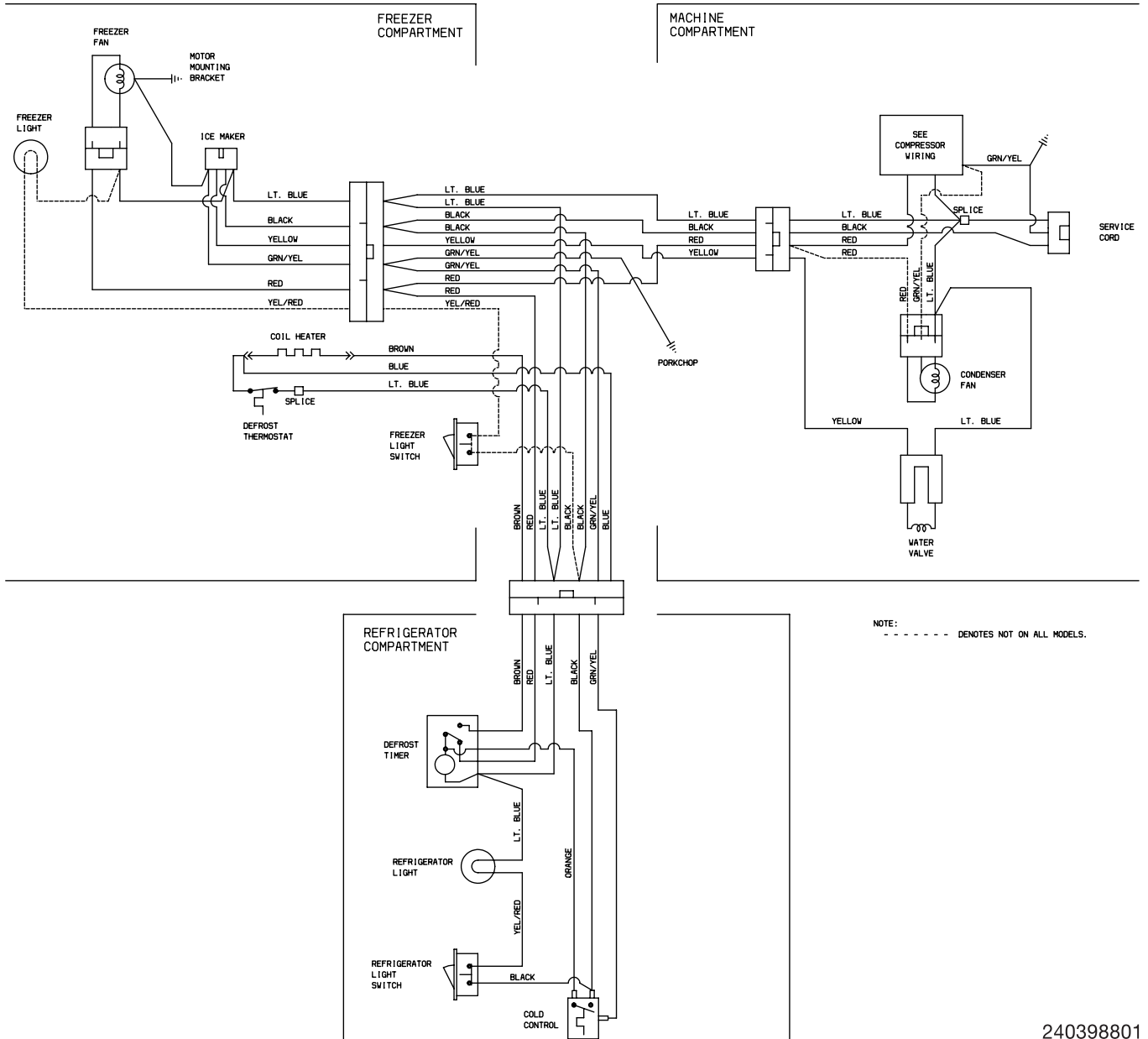
WIRING SCHEMATIC

240398601

NOTE:
- - - - - DENOTES NOT ON ALL MODELS.



WIRING DIAGRAM



240398801