

Frigidaire

Factory Parts Catalog

Product No.	FRT1S6ESB1	FRT1S6ESK1
Series	R1234a	R1234a
Color	stain/blk (RH)	stain/blk (LH)
Volts	115	115
Wiring Diagram	240398801	240398801
Owner's Guide	240400112	240400112
Market	North America	North America
Energy Guide	241615409	241615409
Service Data Sheet	240379014	240379014
Installation Instructions	240568300	240568300

 **Electrolux**

ELECTROLUX HOME PRODUCTS, INC.
P.O. Box 212378
Augusta, GA 30917

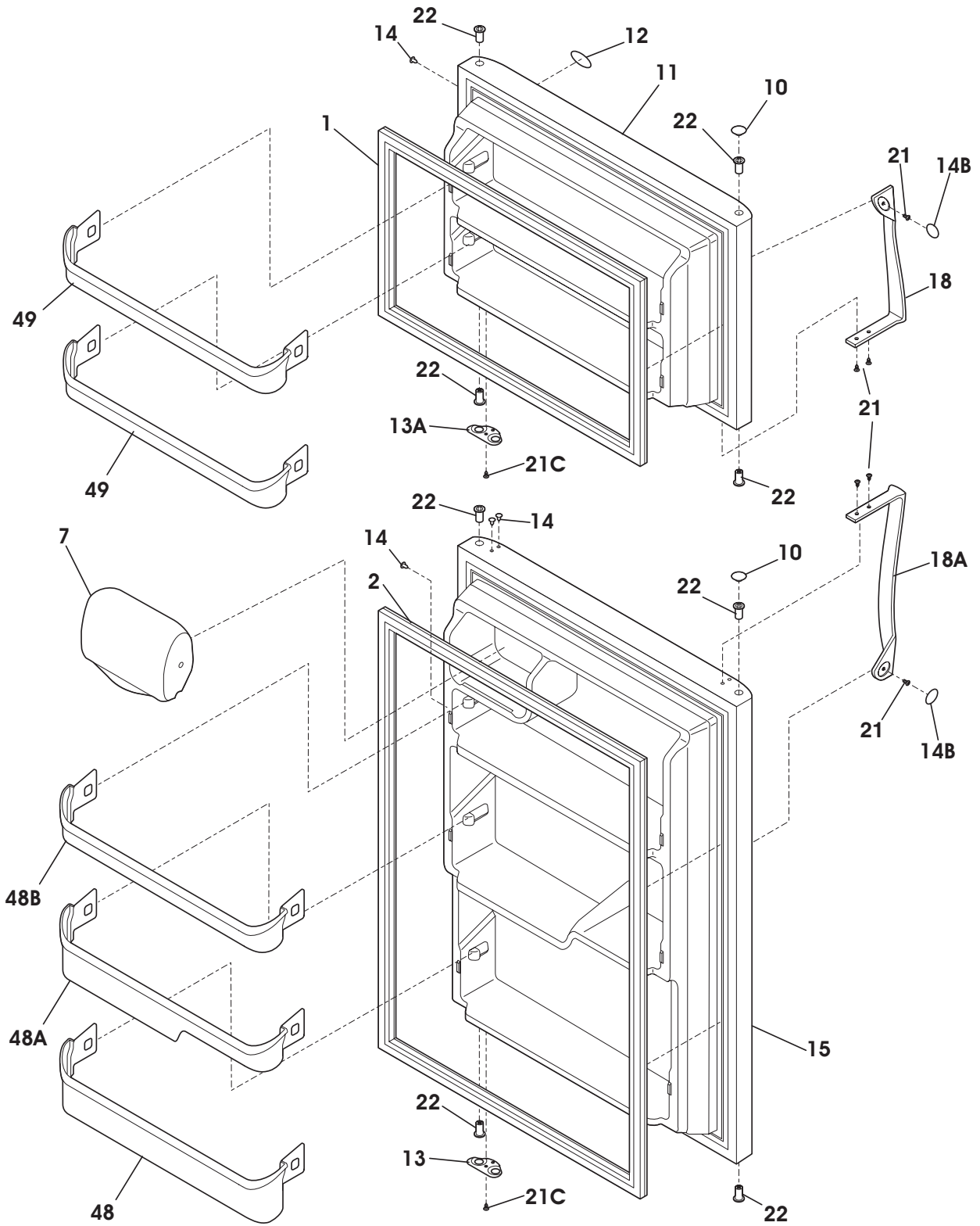
Publication No.
5995432167
05/03/18
(EN/SERVICE/WC)
390

**TOP-MOUNT
REFRIGERATOR**

Model No.
FRT1S6ES

Copyright © 2005 Electrolux Home Products, Inc.
All rights reserved.

DOOR



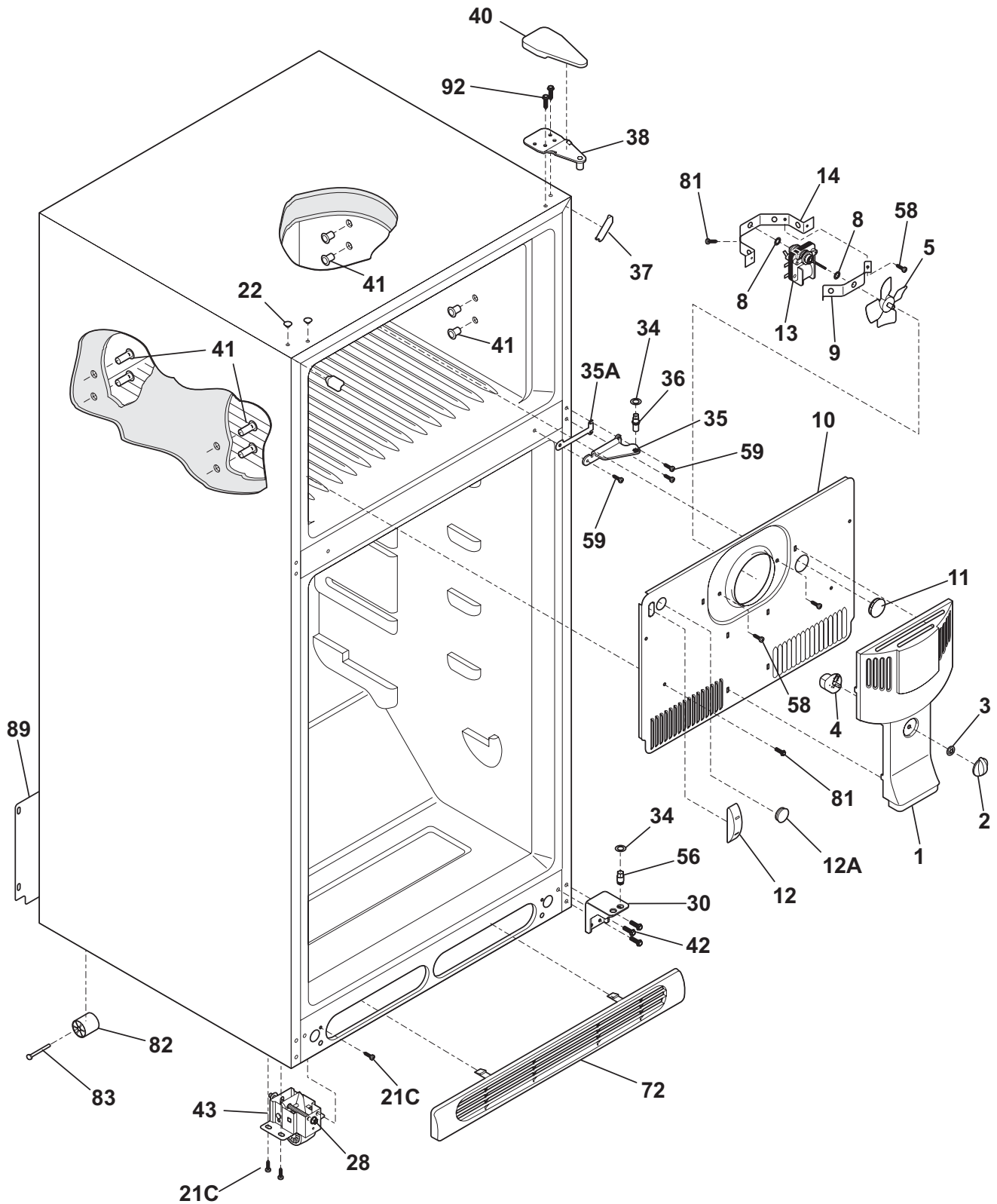
N05DCDBCA1

DOOR

Model Index: A FRT1S6ES (FRT1S6ESB1)
 B FRT1S6ES (FRT1S6ESK1)

POS. NO	PART NO.		DESCRIPTION
1 #	240514611	A B	Gasket, seal, black, frzr door, magnetic
2 #	240514612	A B	Gasket, seal, black, refr door, magnetic
7	240337703	A B	Door-dairy, w/o graphics, clear
11	240450366	A -	Door, frzr, stainless steel
11	240450365	- B	Door, frzr, stainless steel, LH
12	240416304	A B	Nameplate, black
13	240312405	A B	Door Stop, black, refr
13A	240312406	A B	Door Stop, black, frzr
14B	240383603	A B	Plug-button, black, door handle
15	240450478	A -	Door, refr, stainless steel, RH
15	240450479	- B	Door, refr, stainless steel, LH
18	240339203	A B	Handle-door, black
18A	240339208	A B	Handle-door, black
21	240383401	A B	Screw, truss hd quad, #10-16 x .500
21C	218252200	A B	Screw, #8 truss hd, 10-32CA x 0.500
22	240527102	A B	Bearing-hinge, black
48	240338101	A B	Bin-door, pseudo, bottom
48A	240337901	A B	Bin-door, refr
48B	240338001	A B	Bin-door, pseudo, gallon, refr
49	240495804	A B	Bin-door, pseudo, frzr
*	218490901	A B	Cleaner, stainless steel

CABINET



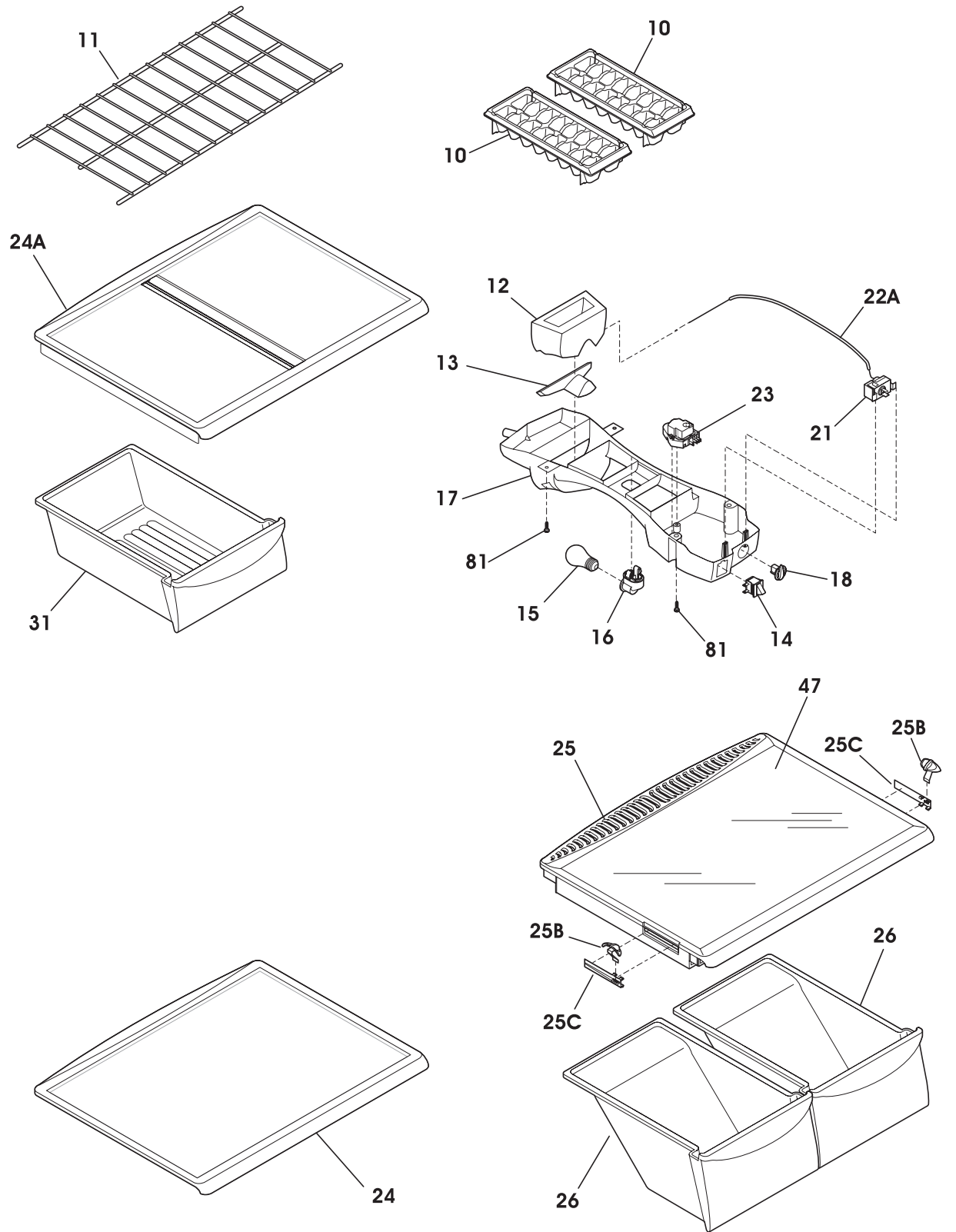
N05BBAABA17

CABINET

Model Index: A FRT1S6ES (FRT1S6ESB1)
B FRT1S6ES (FRT1S6ESK1)

POS. NO	PART NO.		DESCRIPTION
1	240355402	A B	Cover-fan
2	240367001	A B	Knob-damper control
3	5303001028	A B	Nut, push-on
4	241523701	A B	Damper-fan cover
5	5308000010	A B	Fan Blade, red, evaporator fan
8	5300157666	A B	Bushing-motor mtg, (2)
9	5303292396	A B	Bracket-motor mtg, front
10	240313610	A B	Cover-evap coil, w/o light
10*	240568606	A B	Seal-coil cover
10*#	240524701	A B	Wiring Harness, freezer section
11	5303208309	A B	Plug-hole, factory test
12	241557601	A B	Plug-ice maker harness, rectangular
12*	218843800	A B	Screw, hex wshr hd, 8-15A x 0.500
12A	240374401	A B	Plug-wtr inlet tube, round, 1"
12A*	241586701	A B	Plug-foam-wtr-inlet, round
13#	240369702	A B	Motor-evap fan
14	5303292397	A B	Bracket-motor mtg, rear
21C	218252200	A B	Screw, #8 truss hd, 10-32CA x 0.500
22	215774918	A B	Plug-button, black, upr hinge holes
28	240335501	A B	Bolt-roller adj, hex washer head, 1/4-20 x 4.020, (2), special
30	240314003	A B	Bracket-lower hinge, black
34	240311303	A B	Washer, hinge, nylon, (2)
35	240313803	A B	Bracket-ctr hinge, black
35A	240336802	A B	Spacer-hinge, center
36	240516401	A B	Pin-center hinge
37	240337603	A B	Trim-cabinet corner, black, (2)
38	240313701	A B	Bracket-upper hinge
40	240354404	A B	Cover-upper hinge, black
41	5308009759	A B	Grommet, shelf mtg, 1.25", LH, (4)
42	240578901	A B	Screw-hinge mtg, hex head, 1/4-20 x 5/8
43	240335003	A B	Roller Assy, front, (2)
56	240516501	A B	Pin-lower hinge
58	5303001343	A B	Screw, hex washer head, 8-15A x 0.500
59	240442703	A B	Screw-#10-32 X 3/4, black
72	240368207	A B	Grille/Kickplate, black
81	5308016566	A B	Screw, hex washer head, 8-15A x 0.625, low profile
82	5304418225	A B	Roller, compressor base, rear, (2)
83	5303316859	A B	Rivet, flat head, 1/4 OD x 1-3/4, roller pin
89	241574607	A B	Cover-access, w/label
89*	241500301	A B	Screw, hex washer head, 8-18AB x 0.500
92	216850900	A B	Screw, hex washer hd, 1/4 x 7/8, hinge mtg
*	240479601	A B	Plug, button, cab liner holes, (2)
*	5303305345	A B	Paint, touch-up, black

SHELVES



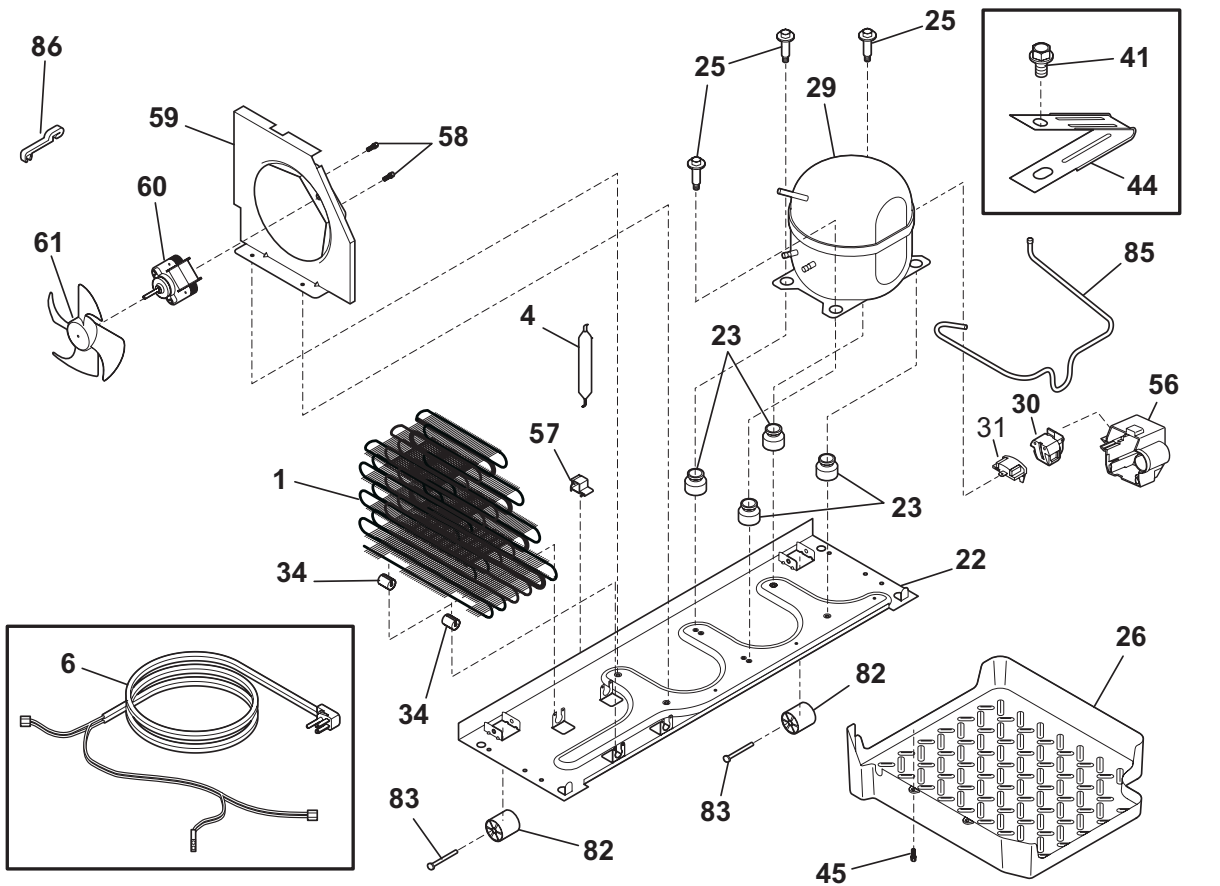
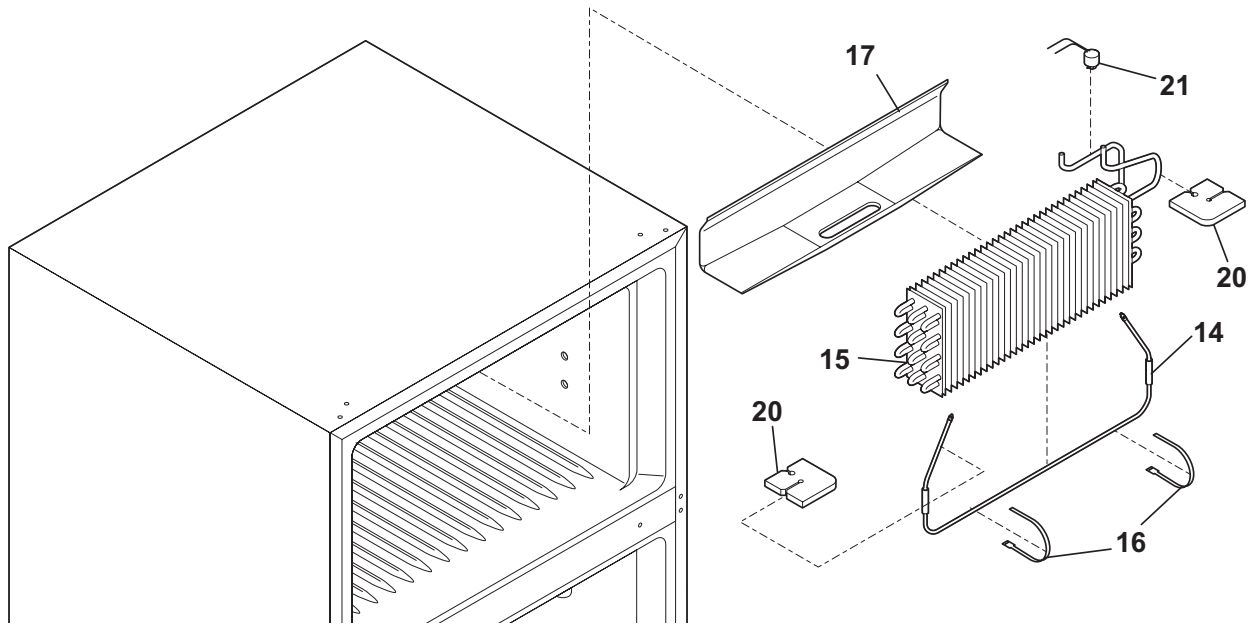
N05SAAAFI17

SHELVES

Model Index: A FRT1S6ES (FRT1S6ESB1)
 B FRT1S6ES (FRT1S6ESK1)

POS. NO	PART NO.		DESCRIPTION
10	215667501	A B	Tray, ice cube, plastic
11	240358006	A B	Shelf, freezer, full-width, wire
11*	5303299664	A B	Spacer, shelf
12	240545901	A B	Diffuser-air, top
13	240362601	A B	Diffuser, air, bottom
14#	241554901	A B	Switch-light/lamp
15	241555401	A B	Light Bulb
16	241559801	A B	Socket-light
17	240368101	A B	Control Box
17*#	240388701	A B	Wiring Harness, control box
18	240360801	A B	Knob, temp control
21 #	5304445058	A B	Control-temperature
22A	5303916855	A B	Tube, sensor sleeve, plastic, clear
23 #	215846606	A B	Timer, defrost, 60 Hz, 0.25 W, 120 V, 10 hour/30 min
23*	5303001259	A B	Screw-timer mtg, pan hd, 6-20 x 0.438, (2)
24	240358909	A B	Shelf-"Spill-Safe", sliding
24A	240358910	A B	Shelf-"Spill-Safe", sliding, meat pan track
25	240364718	A B	Cover-crisper pan
25B	240361201	A B	Control-humidity
25C	240361301	A B	Damper, humidity cont.
26	240343803	A B	Pan, crisper, (2)
31	240530903	A B	Pan-meat, w/o graphics, clear
47	240350654	A B	Insert-pan cover, glass
58	5308016566	A B	Screw, hex washer head, 8-15A x 0.625, low profile

SYSTEM



N05CABBAB6

SYSTEM

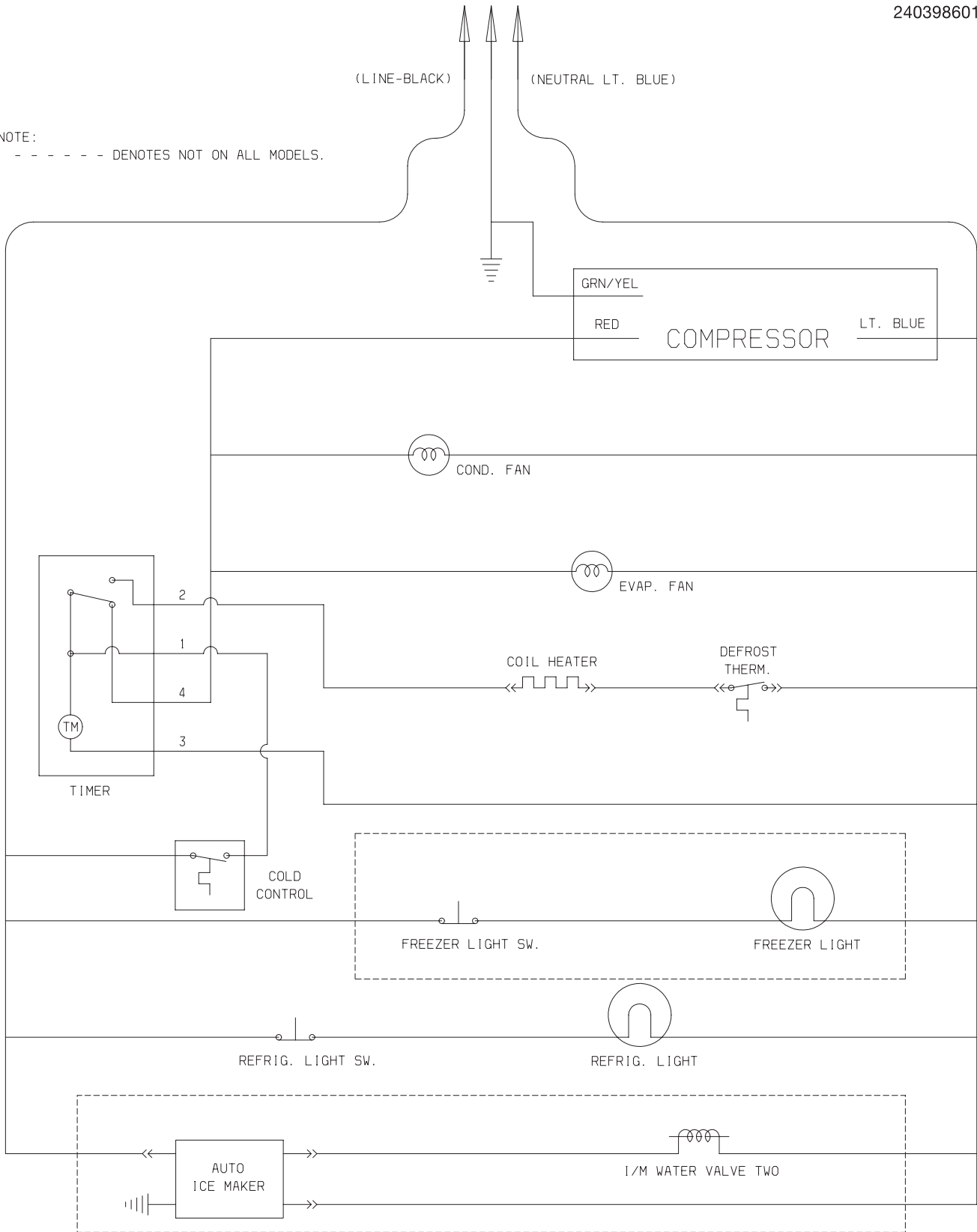
Model Index: A FRT1S6ES (FRT1S6ESB1)
 B FRT1S6ES (FRT1S6ESK1)

POS. NO	PART NO.		DESCRIPTION
1 #	240444401	A B	Condenser, dynamic
4 #	218944001	A B	Drier-filter, R134a System
6	240581701	A B	Harness-wiring, machine compt
6* #	240388701	A B	Wiring Harness, control box
6* #	240524701	A B	Wiring Harness, freezer section
6* #	240581801	A B	Harness-wiring, compressor
14 #	5303918247	A B	Defrost Heater Kit
15 #	5303918274	A B	Evaporator Kit
16	5308000110	A B	Strap-evap/heater, aluminum, (2)
17	241551801	A B	Trough-drain
20	241551902	A B	Insulation Block
21 #	5303918202	A B	Thermostat-defrost, kit
22	241602001	A B	Base-compressor
22*	218252200	A B	Screw, #8 truss hd, 10-32CA x 0.500
23	218513300	A B	Grommet-compr mtg, (4)
25	240491501	A B	Screw-compressor mtg, 1/4-28 x 1.16, shoulder, typ CF
26	240332602	A B	Pan-defrost drain
29 #	5303918297	A B	Compressor, w/electricals
30 #	5304433579	A B	Relay
31 #	5304433578	A B	Overload Protector
34	240405201	A B	Grommet, rubber, black, cond tube/wire
41	240555001	A B	Screw-#8-32 X 3/8
44	215174700	A B	Clamp-service cord, strain relief, galv steel
45	241500301	A B	Screw, hex washer head, 8-18AB x 0.500
56	240582001	A B	Cover-terminal
57	240542601	A B	Clip-wiring harness
58	218897002	A B	Screw, hex washer head, 8-32 x 0.375
59	5304430246	A B	Bracket-cond motor assy
59*	240346701	A B	Tape-foam seal, shroud
59*	240359401	A B	Screw-fan shroud, (2)
60 #	240525402	A B	Motor, condensor fan
61 #	240524101	A B	Fan Blade, galv steel, condenser fan
82	5304418225	A B	Roller, compressor base, rear, (2)
83	5303316859	A B	Rivet, flat head, 1/4 OD x 1-3/4, roller pin
85	240493101	A B	Tube-connector, suction
86	240409302	A B	Spacer-cond tube, black
*	240396801	A B	Clamp, tube/wiring, nylon, black/natural
*	5303918210	A B	Heat Exchanger Kit, suction line
* #	5304421289	A B	Hot Tube Repair Kit, service

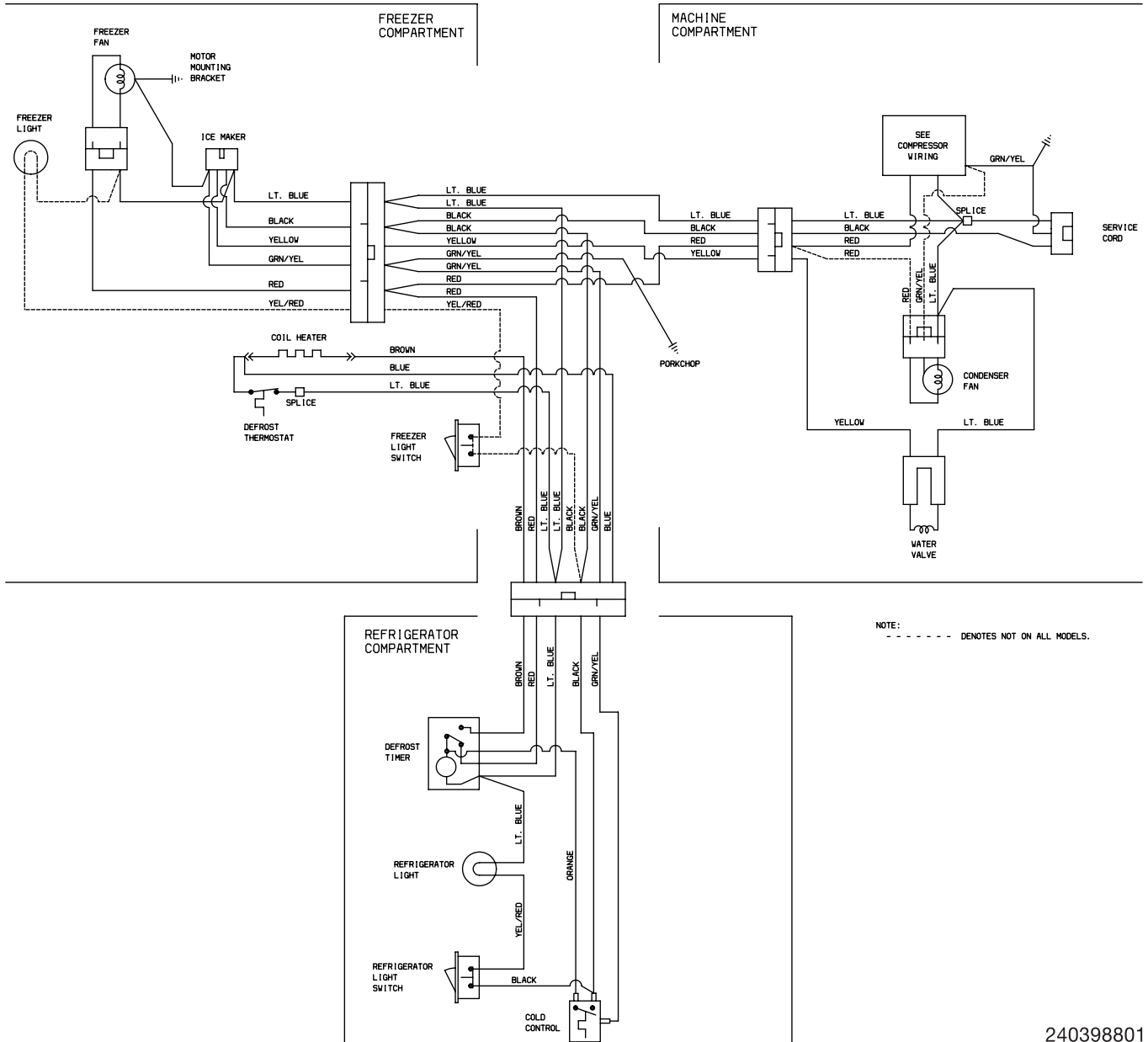
WIRING SCHEMATIC

240398601

NOTE:
- - - - - DENOTES NOT ON ALL MODELS.



WIRING DIAGRAM



240398801