

*Frigidaire*

Factory Parts Catalog

Product No.	FRT21HS6DB0	FRT21HS6DQ0	FRT21HS6DW0
Series	R134a	R134a	R134a
Color	black	bisque	white
Volts	115	115	115
Wiring Diagram	240398801	240398801	240398801
Owner's Guide	240400110	240400110	240400110
Market	North America	North America	North America
Energy Guide	241538724	241538724	241538724
Service Data Sheet	240379014	240379014	240379014
Installation Instructions	240568300	240568300	240568300

 **Electrolux**

ELECTROLUX HOME PRODUCTS, INC.  
P.O. Box 212378, Augusta, GA 30917

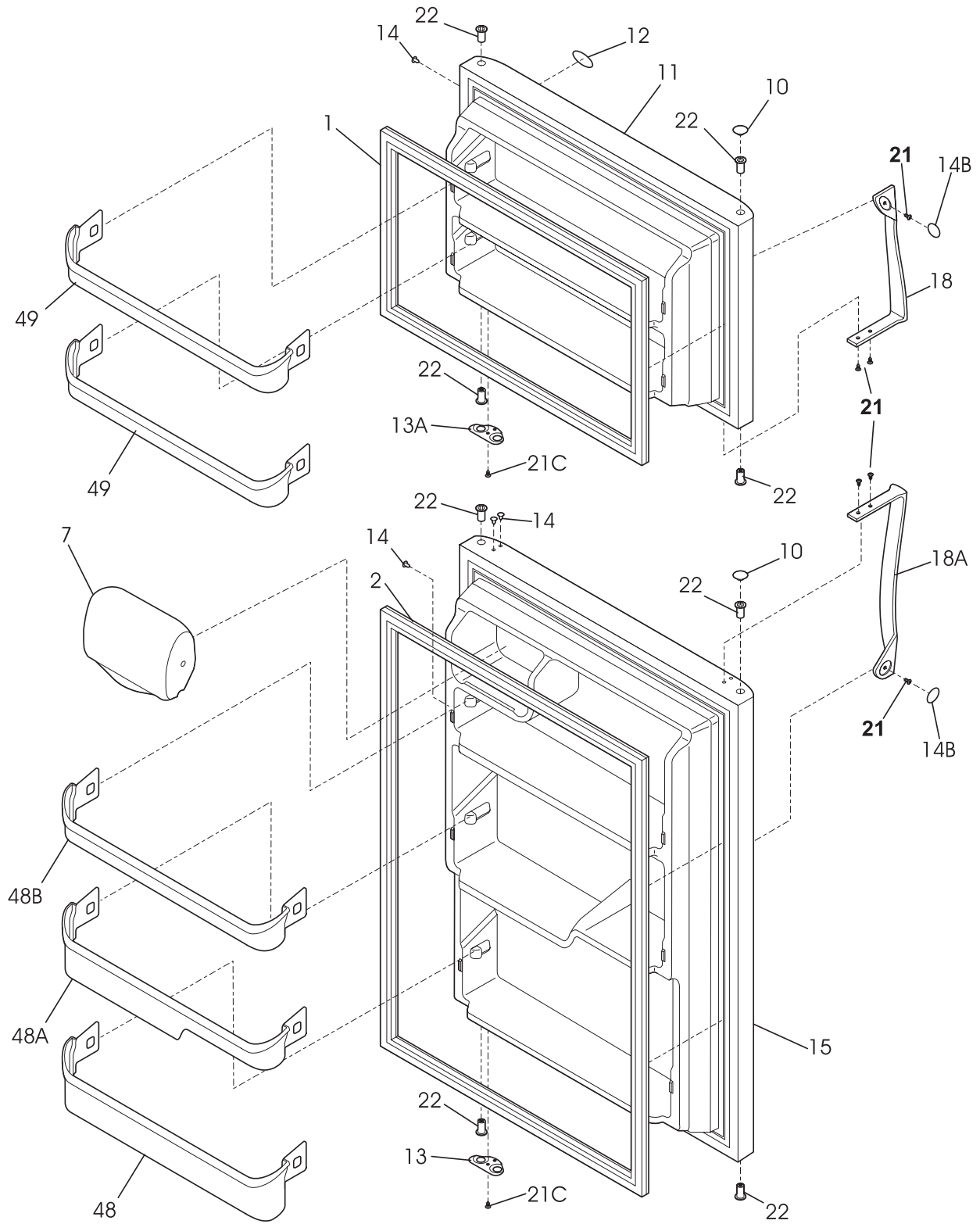
Publication No.  
**5995408324**  
04/04/26  
(EN/SERVICE/DCS)  
357

**TOP-MOUNT  
REFRIGERATOR**

Model No.  
**FRT21HS6D**

Copyright © 2004 Electrolux Home Products, Inc.  
All rights reserved.

**DOOR**



**N05DCBCA1**

---

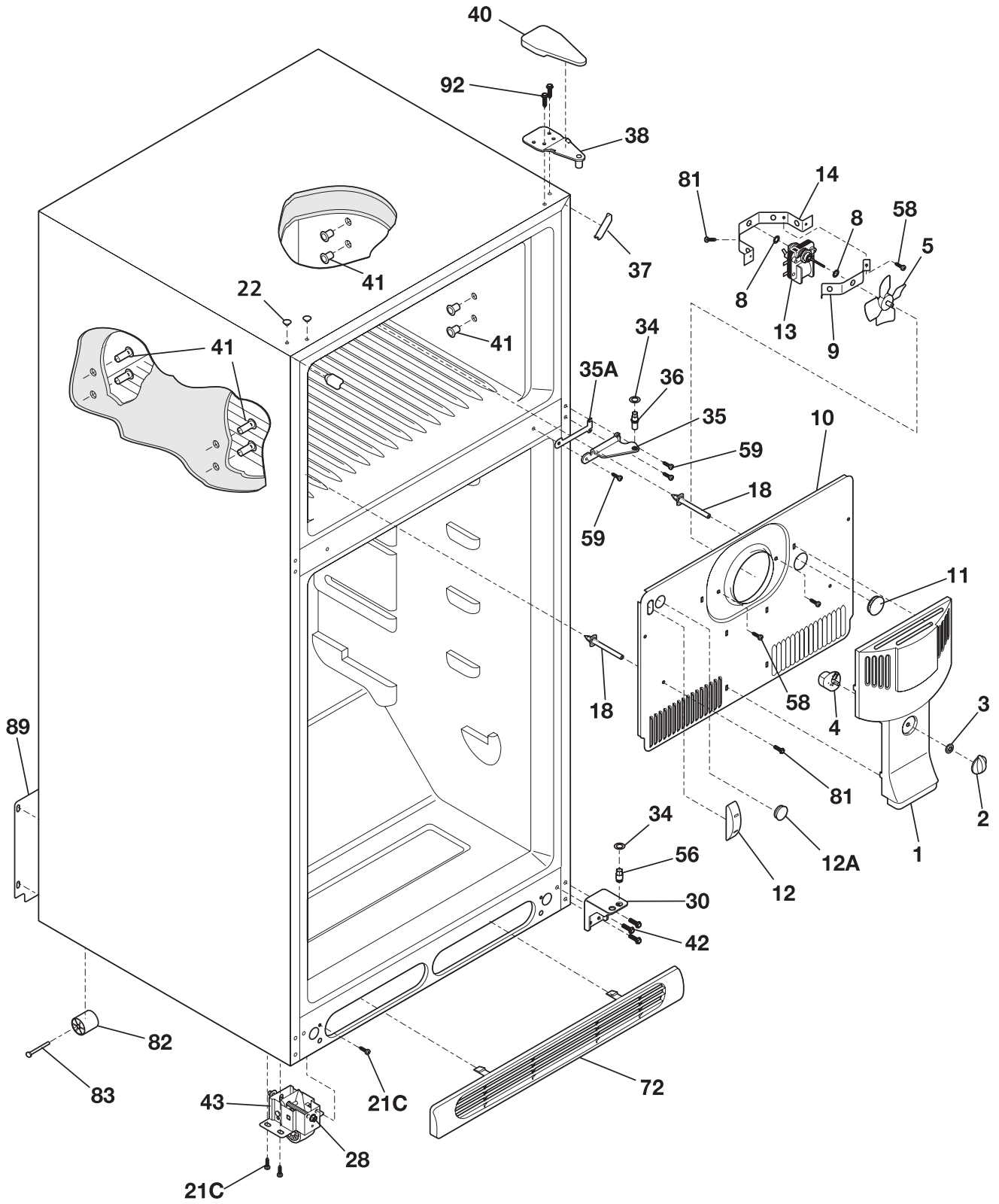
**DOOR**


---

*Model Index:* A FRT21HS6D (FRT21HS6DB0)  
 B FRT21HS6D (FRT21HS6DQ0)  
 C FRT21HS6D (FRT21HS6DW0)

POS. NO	PART NO.		DESCRIPTION
1 #	240514611	A - -	Gasket, seal, black, frzr door, magnetic
1 #	240514607	- B C	Gasket, seal, white, frzr door, magnetic
2 #	240514612	A - -	Gasket, seal, black, refr door, magnetic
2 #	240514608	- B C	Gasket, seal, white, refr door, magnetic
7	240337703	A B C	Door-dairy, w/o graphics, clear
10	240381303	A - -	Plug-button, black, hinge brg hole
10	240381302	- B -	Plug-button, bisque, hinge brg hole, (2)
10	240381301	- - C	Plug-button, white, hinge brg hole, (2)
11	240450312	A - -	Door, frzr, black
11	240450306	- B -	Door, frzr, bisque
11	240450302	- - C	Door, frzr, white
12	240416304	A - -	Nameplate, black
12	240416303	- B -	Label-nameplate, bisque
12	240416301	- - C	Label-nameplate, white
13	240312405	A - -	Door Stop, black, refr
13	240312407	- B -	Door Stop, bisque, refr
13	240312403	- - C	Door Stop, white, refr
13A	240312406	A - -	Door Stop, black, frzr
13A	240312408	- B -	Door Stop, bisque, frzr
13A	240312404	- - C	Door Stop, white, frzr
14	240494003	A - -	Plug-button, black
14	240494002	- B -	Plug-button, bisque
14	240494001	- - C	Plug-button, white
14B	240383603	A - -	Plug-button, black, door handle
14B	240383602	- B -	Plug-button, bisque, door handle
14B	240383601	- - C	Plug-button, white, door handle
15	240450412	A - -	Door, refr, black
15	240450406	- B -	Door, refr, bisque
15	240450402	- - C	Door, refr, white
18	240339203	A - -	Handle-door, black
18	240339204	- B -	Handle-door, bisque
18	240339201	- - C	Handle-door, white
18A	240339208	A - -	Handle-door, black
18A	240339209	- B -	Handle-door, bisque
18A	240339206	- - C	Handle-door, white
21	240383401	A B C	Screw, truss hd quad, #10-16 x .500
21C	218252200	A B C	Screw, #8 truss hd, 10-32CA x 0.500
22	240527102	A - -	Bearing-hinge, black
22	240527101	- B C	Bearing-hinge, natural color
48	240338101	A B C	Bin-door, pseudo, bottom
48A	240337901	A B C	Bin-door, refr
48B	240338001	A B C	Bin-door, pseudo, gallon, refr
49	240495804	A B C	Bin-door, pseudo, frzr

CABINET



N05BBAABA6

**CABINET**

*Model Index:* A FRT21HS6D (FRT21HS6DB0)  
 B FRT21HS6D (FRT21HS6DQ0)  
 C FRT21HS6D (FRT21HS6DW0)

POS. NO	PART NO.		DESCRIPTION
1	240355402	A B C	Cover-fan
2	240367001	A B C	Knob-damper control
3	5303001028	A B C	Nut, push-on
4	240367401	A B C	Damper-fan cover
5	5308000010	A B C	Fan Blade, red, evaporator fan
8	5300157666	A B C	Bushing-motor mtg, (2)
9	5303292396	A B C	Bracket-motor mtg, front
10	240313610	A B C	Cover-evap coil, w/o light
10*	240568606	A B C	Seal-coil cover
10*#	240524701	A B C	Wiring Harness, freezer section
11	5303208309	A B C	Plug-hole, factory test
12	240366801	A B C	Plug-ice maker harness, rectangular
12*	218843800	A B C	Screw, hex wshr hd, 8-15A x 0.500
12A	240374401	A B C	Plug-wtr inlet tube, round, 1"
13 #	240369701	A B C	Motor-evap fan
13*	218931001	A B C	Clamp-motor wiring, nylon, w/adhesive tape
14	5303292397	A B C	Bracket-motor mtg, rear
14*	240433201	A B C	Screw, hex washer head, 8-18 x 0.375
18	240411901	A B C	Support-evap cover, (2)
21C	218252200	A B C	Screw, #8 truss hd, 10-32CA x 0.500
22	215774918	A - -	Plug-button, black, upr hinge holes
22	215774919	- B -	Plug-button, bisque, upr hinge holes
22	215774901	- - C	Plug-button, white, upr hinge holes
28	240335501	A B C	Bolt-roller adj, hex washer head, 1/4-20 x 4.020, (2), special
30	240314003	A - -	Bracket-lower hinge, black
30	240314004	- B -	Bracket-lower hinge, bisque
30	240314002	- - C	Bracket-lower hinge, white
34	240311303	A B C	Washer, hinge, nylon, (2)
35	240313803	A - -	Bracket-ctr hinge, black
35	240313804	- B -	Bracket-ctr hinge, bisque
35	240313802	- - C	Bracket-ctr hinge, white
35A	240336802	A B C	Spacer-hinge, center
36	240516401	A B C	Pin-center hinge
37	240337603	A - -	Trim-cabinet corner, black, (2)
37	240337604	- B -	Trim-cabinet corner, bisque, (2)
37	240337601	- - C	Trim-cabinet corner, white, (2)
38	240313701	A B C	Bracket-upper hinge
40	240354404	A - -	Cover-upper hinge, black
40	240354403	- B -	Cover-upper hinge, bisque
40	240354401	- - C	Cover-upper hinge, white
41	5303001609	A B C	Grommet, shelf mtg, 0.69", RH
41*	5308009759	A B C	Grommet, shelf mtg, 1.25", LH
42	240578901	A B C	Screw-hinge mtg, hex head, 1/4-20 x 5/8
43	240335003	A B C	Roller Assy, front, (2)
56	240516501	A B C	Pin-lower hinge
58	5303001343	A B C	Screw, hex washer head, 8-15A x 0.500
59	240442703	A - -	Screw-#10-32 X 3/4, black
59	240442704	- B -	Screw-#10-32 X 3/4, bisque

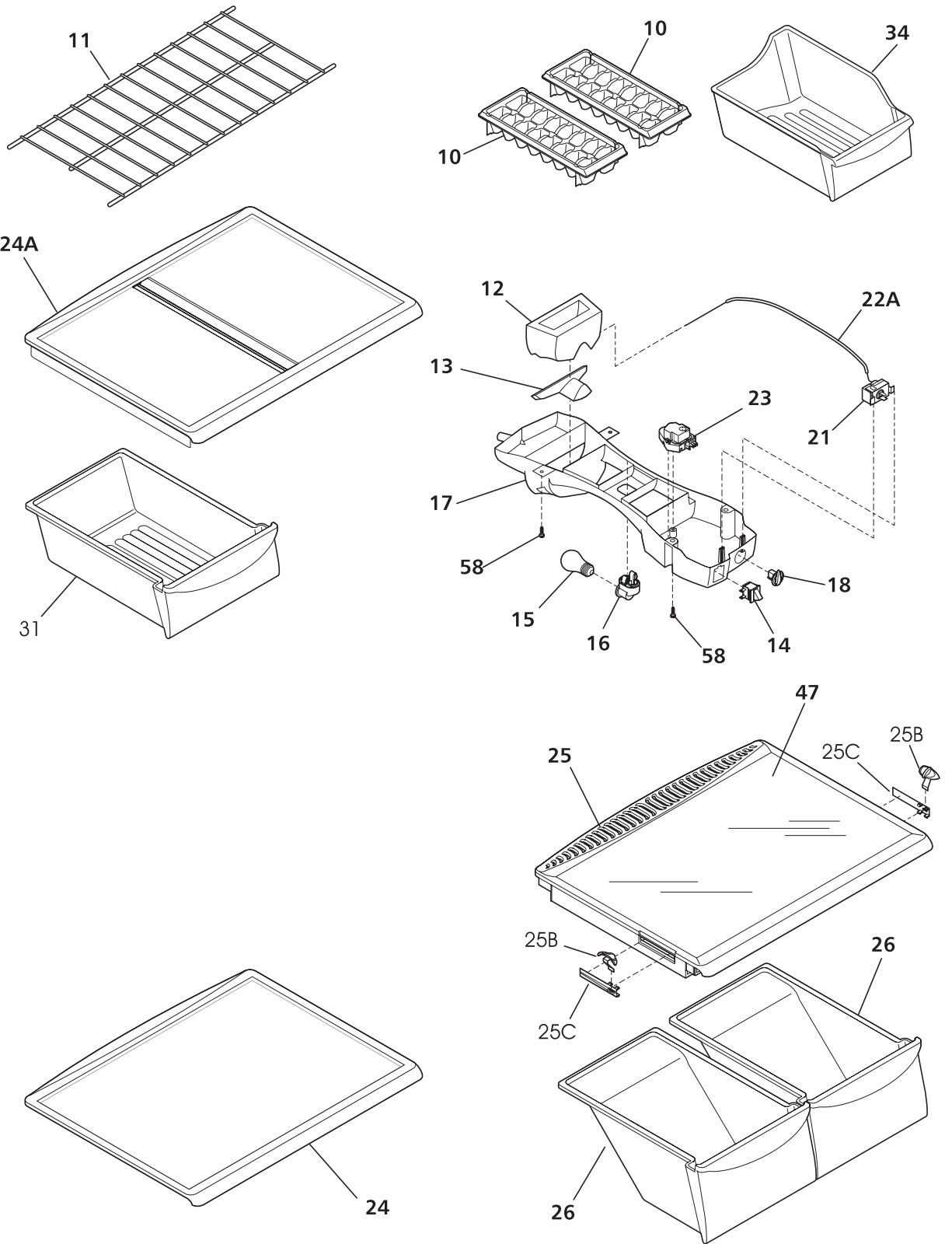


**CABINET**

*Model Index:* A FRT21HS6D (FRT21HS6DB0)  
 B FRT21HS6D (FRT21HS6DQ0)  
 C FRT21HS6D (FRT21HS6DW0)

POS. NO	PART NO.		DESCRIPTION
59	240442702	- - C	Screw-#10-32 X 3/4, white
72	240368207	A - -	Grille/Kickplate, black
72	240368206	- B -	Grille/Kickplate, bisque
72	240368205	- - C	Grille/Kickplate, white
81	5308016566	A B C	Screw, hex washer head, 8-15A x 0.625, low profile
82	5304418225	A B C	Roller, compressor base, rear, (2)
83	5303316859	A B C	Rivet, flat head, 1/4 OD x 1-3/4, roller pin
89	240326115	A B C	Cover-access, with label
89*	241500301	A B C	Screw, hex washer head, 8-18AB x 0.500
92	216850900	A B C	Screw, hex washer hd, 1/4 x 7/8, hinge mtg
*	218990901	A B C	Clip-wire
*	240479601	A B C	Plug, button, cab liner holes, (2)
*	5303305345	A - -	Paint, touch-up, black
*	5304414035	- B -	Paint, touch-up, bisque
*	5303305324	- - C	Paint, touch-up, white

**SHELVES**



**N05SABAF11C**



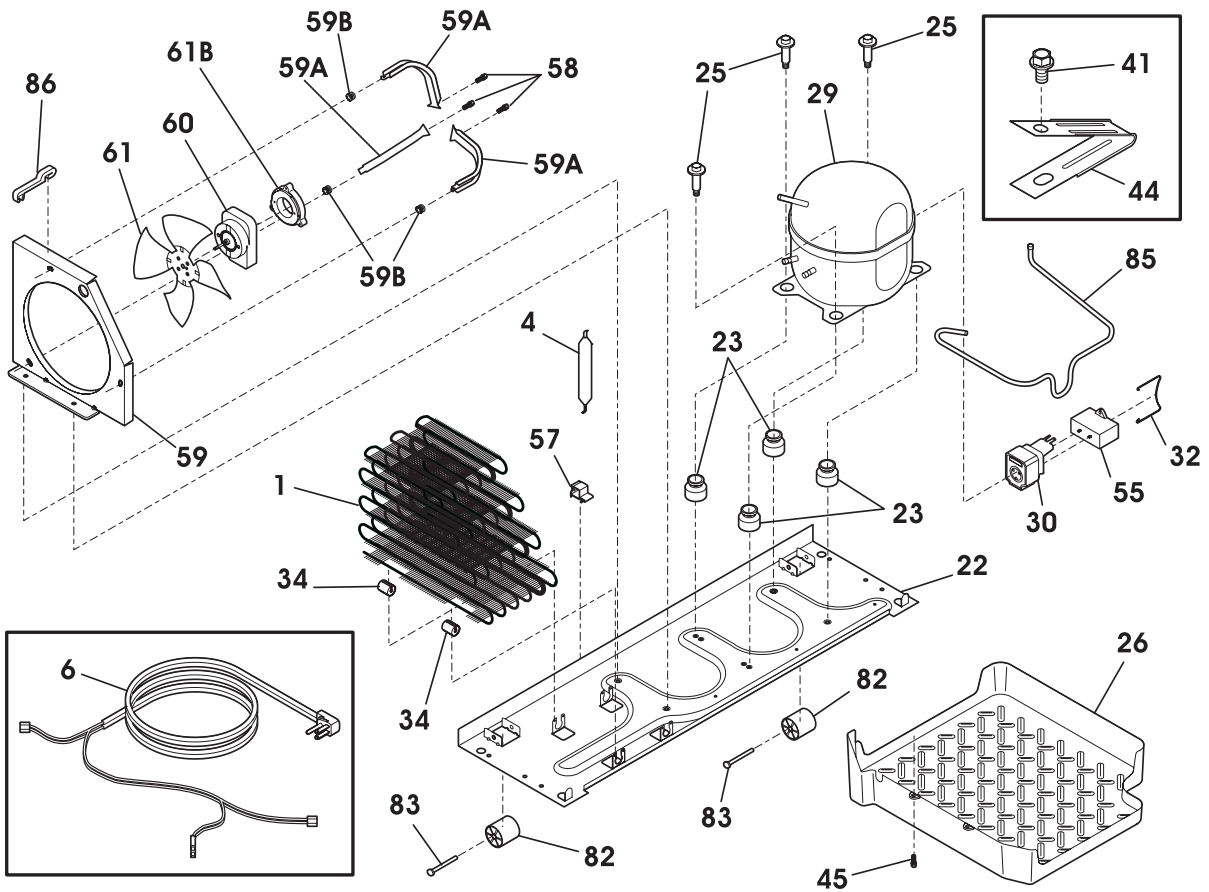
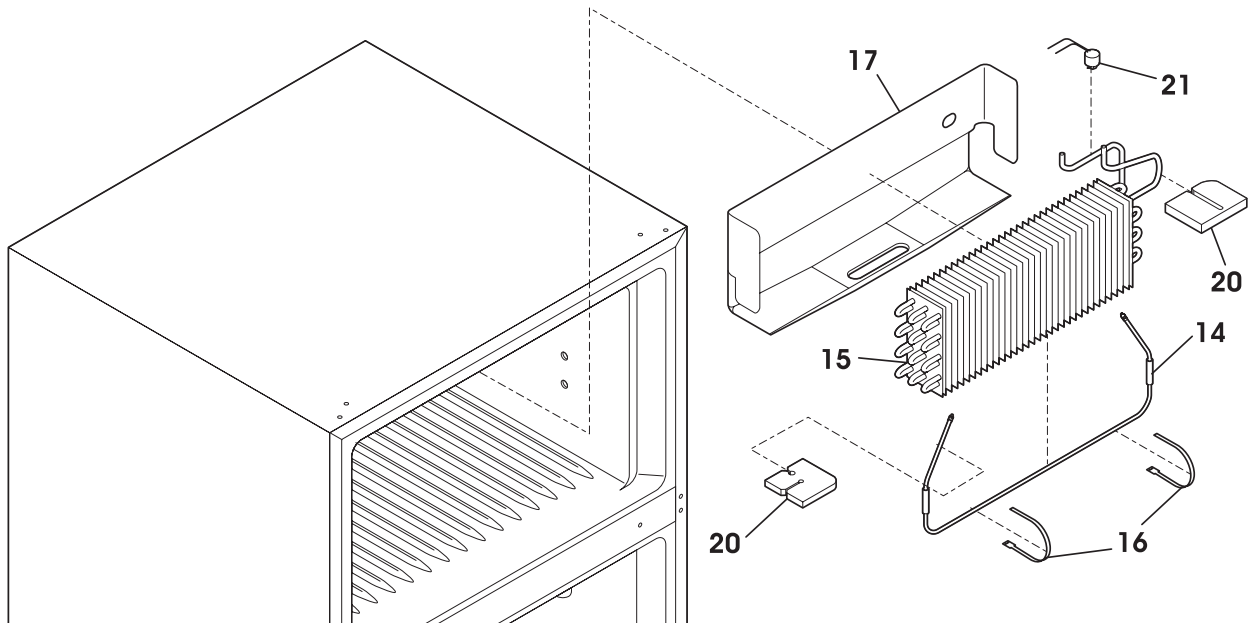
## SHELVES

---

*Model Index:*   A FRT21HS6D (FRT21HS6DB0)  
                       B FRT21HS6D (FRT21HS6DQ0)  
                       C FRT21HS6D (FRT21HS6DW0)

POS. NO	PART NO.		DESCRIPTION
10	215667501	A B C	Tray, ice cube, plastic
11	240358003	A B C	Shelf, freezer, full-width, wire
12	240545901	A B C	Diffuser-air, top
13	240362601	A B C	Diffuser, air, bottom
14 #	241554901	A B C	Switch-light/lamp
15	240436702	A B C	Light Bulb/Lamp, A-15, clear, 40 W, 120 V, miniature
16	241500701	A B C	Socket-light/lamp
17	240368101	A B C	Control Box
17*#	240388701	A B C	Wiring Harness, control box
18	240360801	A B C	Knob, temp control
21 #	5304421256	A B C	Control, temperature
22A	5303916855	A B C	Tube, sensor sleeve, plastic, clear
23 #	215846606	A B C	Timer, defrost, 60 Hz, 0.25 W, 120 V, 10 hour/30 min
23*	5303001259	A B C	Screw-timer mtg, pan hd, 6-20 x 0.438, (2)
24	240358909	A B C	Shelf-"Spill-Safe", sliding
24A	240358910	A B C	Shelf-"Spill-Safe", sliding, meat pan track
25	240364718	A B C	Cover-crisper pan
25B	240361201	A B C	Control-humidity
25C	240361301	A B C	Damper, humidity cont.
26	240343803	A B C	Pan, crisper, (2)
31	240530903	A B C	Pan-meat, w/o graphics, clear
34	240385201	A B C	Container, ice bin
47	240350654	A B C	Insert-pan cover, glass
58	5308016566	A B C	Screw, hex washer head, 8-15A x 0.625, low profile
*	241538724	A B C	Energy Guide

**SYSTEM**



N05CAAAC0

## SYSTEM

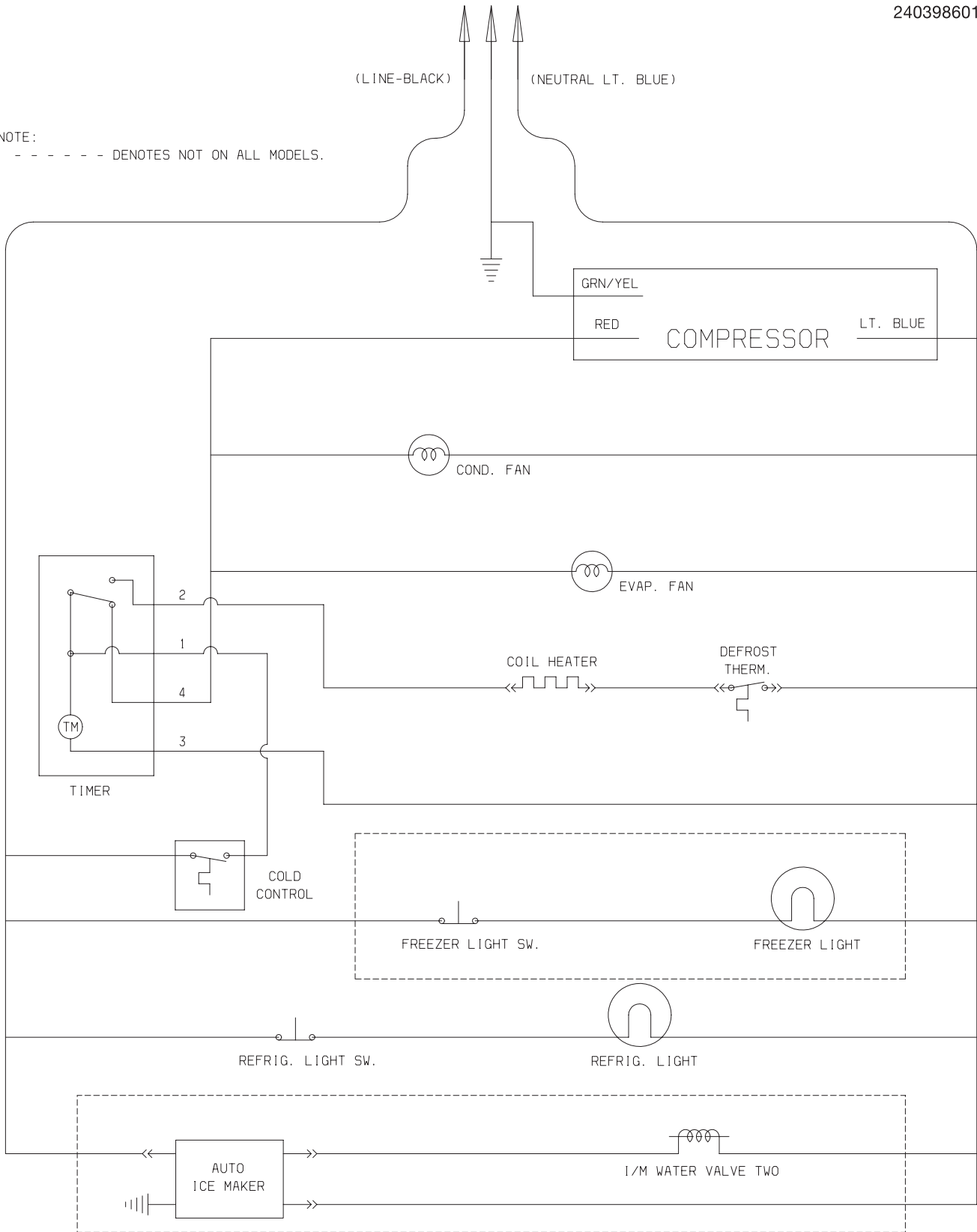
*Model Index:*    A FRT21HS6D (FRT21HS6DB0)  
                           B FRT21HS6D (FRT21HS6DQ0)  
                           C FRT21HS6D (FRT21HS6DW0)

POS. NO	PART NO.		DESCRIPTION
1	240444401	A B C	Condenser, dynamic
4 #	218944001	A B C	Drier-filter, R134a System
6	240496101	A B C	Wiring Harness, machine compt, w/electric cord
6* #	240388701	A B C	Wiring Harness, control box
6* #	240524701	A B C	Wiring Harness, freezer section
14 #	5303918247	A B C	Defrost Heater Kit
15 #	5303918274	A B C	Evaporator Kit
16	5308000110	A B C	Strap-evap/heater, aluminum, (2)
17	240434004	A B C	Trough-drain
20	240518402	A B C	Insulation, evap block, foam, LH/RH
21 #	5303918202	A B C	Thermostat-defrost, kit
22	240330001	A B C	Plate-compr mtg
22*	218252200	A B C	Screw, #8 truss hd, 10-32CA x 0.500
23	218513300	A B C	Grommet-compr mtg, (4)
25	240491501	A B C	Screw-compressor mtg, 1/4-28 x 1.16, shoulder, typ CF
26	240332602	A B C	Pan-defrost drain
29 #	5303918299	A B C	Compressor, w/electricals
30 #	241527802	A B C	Starter
32	241527901	A B C	Clamp, elec cont mtg, compressor
34	240405201	A B C	Grommet, rubber, black, cond tube/wire
41	240555001	A B C	Screw-#8-32 X 3/8
44	215174700	A B C	Clamp-service cord, strain relief, galv steel
45	5308016566	A B C	Screw, hex washer head, 8-15A x 0.625, low profile
55	218909915	A B C	Capacitor-run, 220 VAC, 15 microfarad
57	240542601	A B C	Clip-wiring harness
58	240569201	A B C	Screw, 8-18 x 0.500
59	240315501	A B C	Shroud-cond fan
59*	240346701	A B C	Tape-foam seal, shroud
59*	240359401	A B C	Screw-fan shroud, (2)
59A	240346501	A B C	Bracket-support, cond mtr, (3)
59B	240346601	A B C	Grommet-bracket, (3)
60 #	241537901	A B C	Motor-condenser fan
60*	240569501	A B C	Screw, 8-18 X 1 3/4, (2)
61	241536201	A B C	Blade-condenser fan
61B	240564001	A B C	Bracket-support, cond mtr, (3)
82	5304418225	A B C	Roller, compressor base, rear, (2)
83	5303316859	A B C	Rivet, flat head, 1/4 OD x 1-3/4, roller pin
85	240553501	A B C	Tube-connector, suction
86	240409302	A B C	Spacer-cond tube, black
* #	5303918210	A B C	Heat Exchanger Kit, suction line
* #	5304421289	A B C	Hot Tube Repair Kit, Service

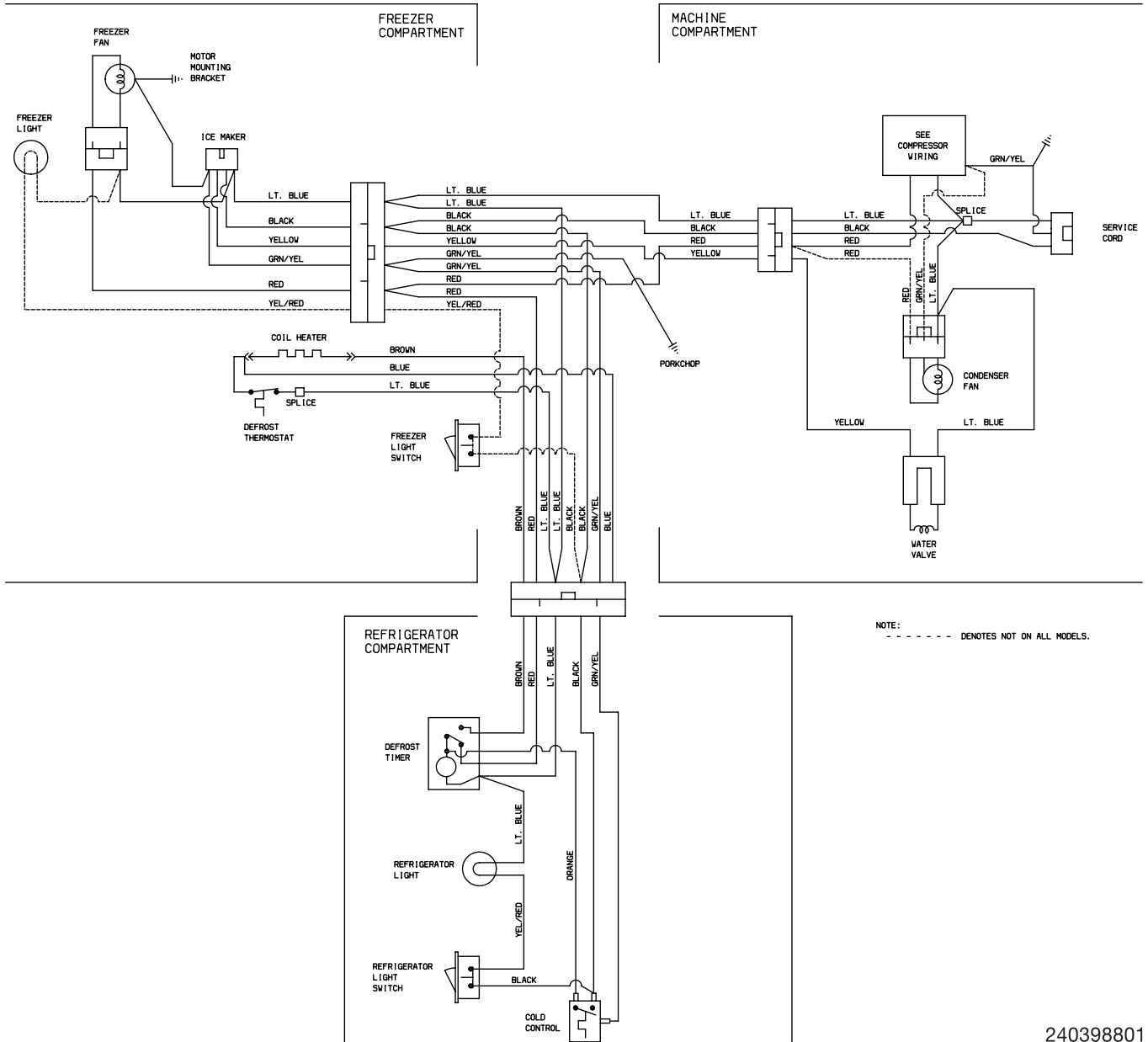
WIRING SCHEMATIC

240398601

NOTE:  
- - - - - DENOTES NOT ON ALL MODELS.



### WIRING DIAGRAM



240398801