

Frigidaire

Factory Parts Catalog

Product No.	FRU1767GW0
Series	134A
Color	white
Volts	115
Wiring Diagram	216946200
Owner's Guide	297081000
Market	North America
Energy Guide	216697905

 **Electrolux**

Electrolux Major Appliances
North & Latin America
P.O. BOX 212378
AUGUSTA, GA 30917

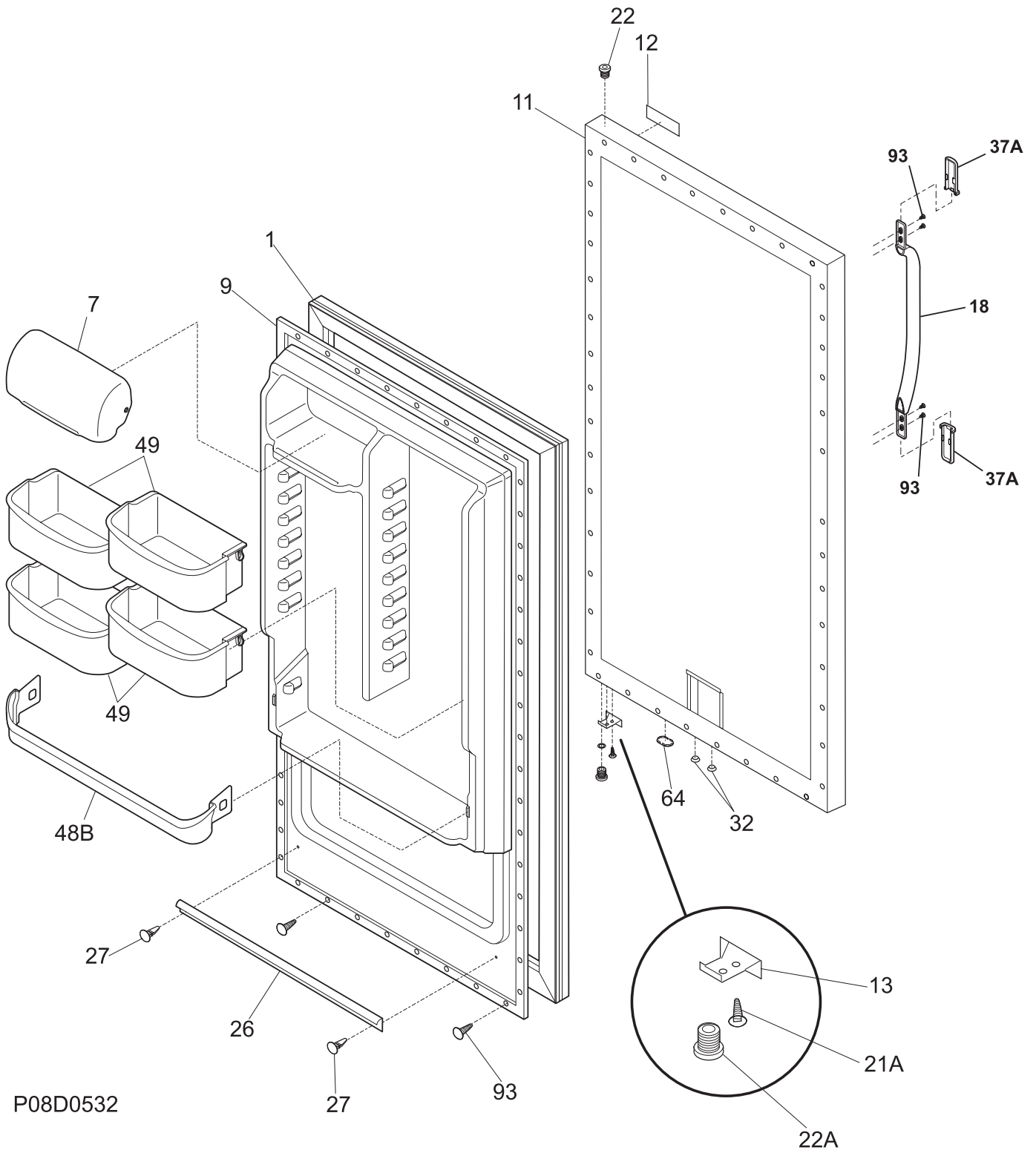
Publication No.
5995488706
07/04/12
(EN/SERVICE/MLR)
365

REFRIGERATOR

Model No.
FRU1767GW

Copyright © 2007 Electrolux Home Products, Inc.
All rights reserved.

DOOR

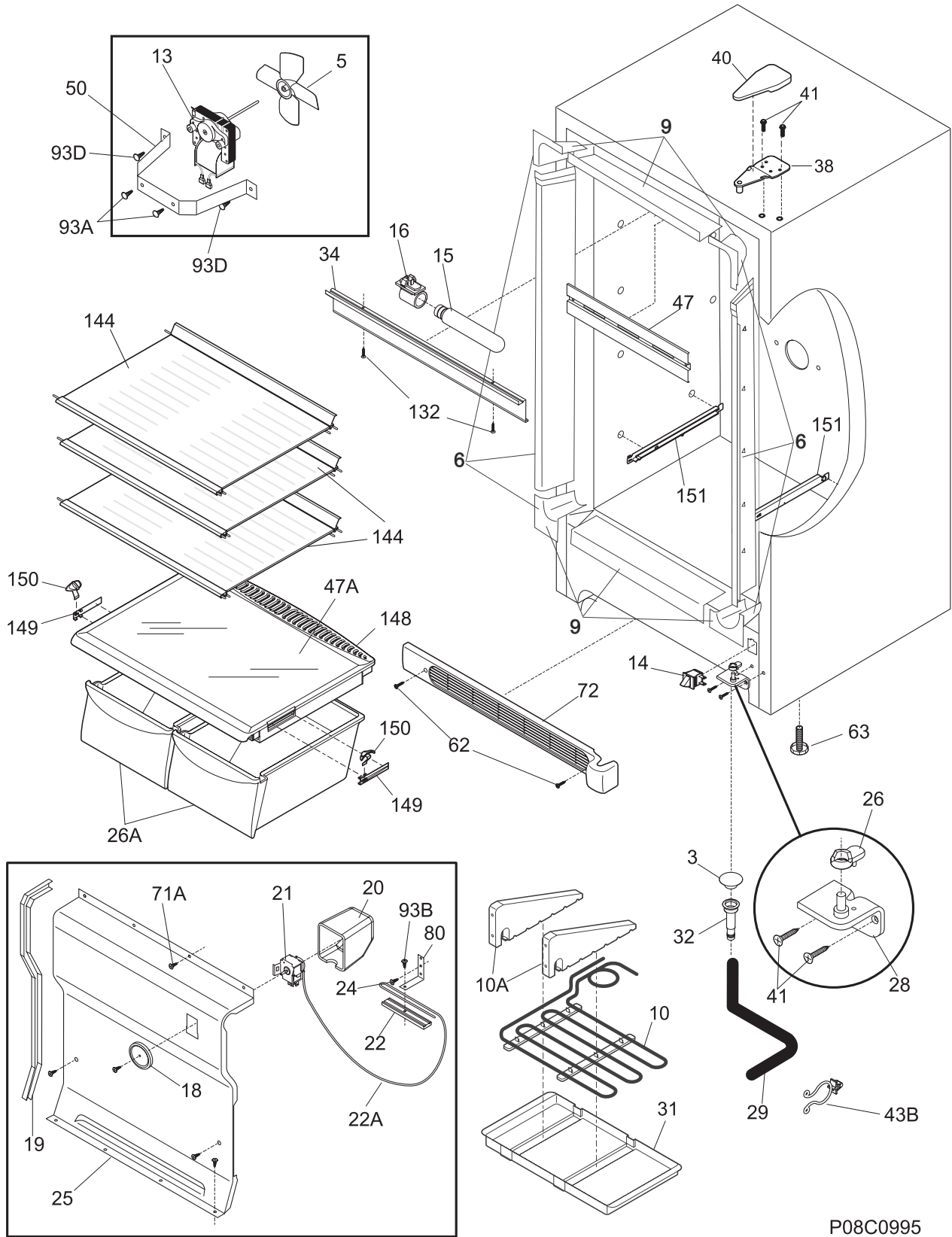


P08D0532

DOOR

POS. NO	PART NO.	DESCRIPTION
1	216522309	Gasket-door, white
7	240338303	Door, dairy, clear
9	216953600	Panel-inner door, refr
11	216526518	Panel-outer door, white
12	216947300	Nameplate
13	08016354	Door Stop
18	218762701	Handle-door, white
21A	08005520	Screw, door stop mtg, 4.0 x 0.7-19.7, flat hd, metric
22	216970800	Bearing, hinge w/o'ring, top
22A	297006800	Bearing-hinge, btm, w/o'ring
26	216524200	Gasket, secondary
27	5303212828	Clip, panel mtg
27*	5304406520	Clip, panel mtg kit, (40)
32	5309950074	Valve, breather
37A	215870619	Trim-handle, 2.47", white, w/chrome band
37A*	218676001	Band-decorative, chrome, handle trim
48B	240338001	Bin-door, pseudo, gallon, refr
49	216959800	Bin-door, 2-liter, (4)
64	216403700	Plug-button, hole filler, door base
93	5303161215	Screw, ph truss head, 8-18AB x 0.500

CABINET

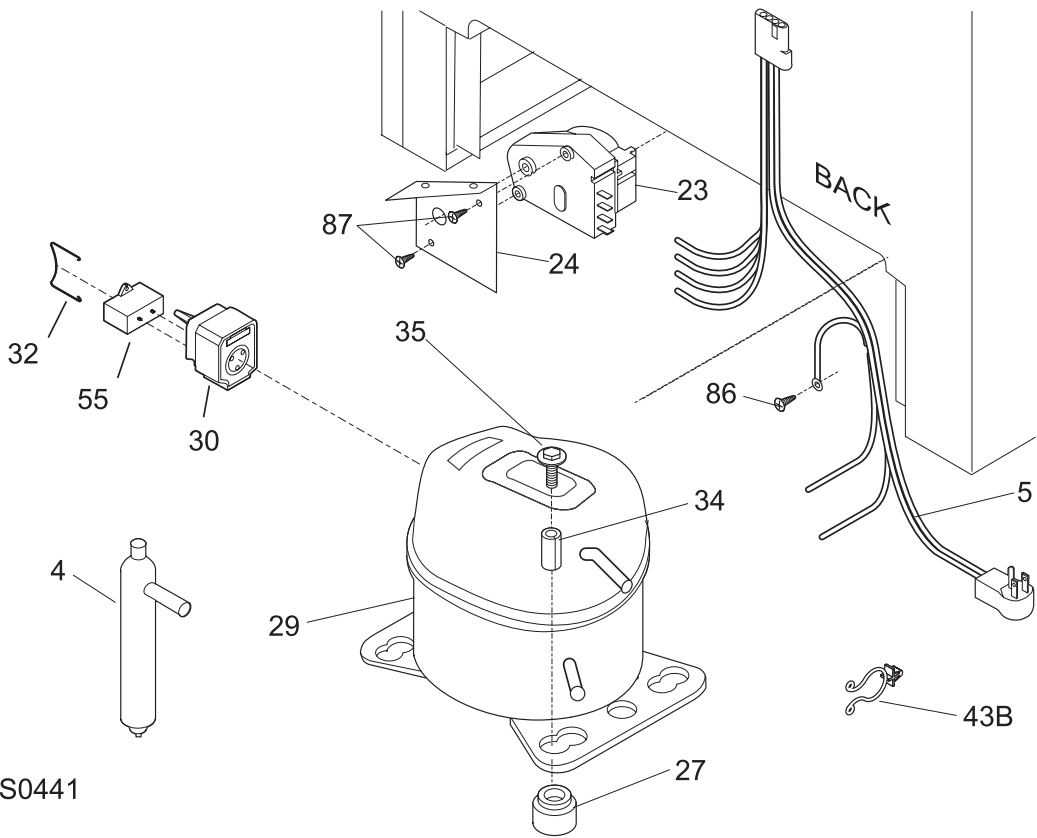
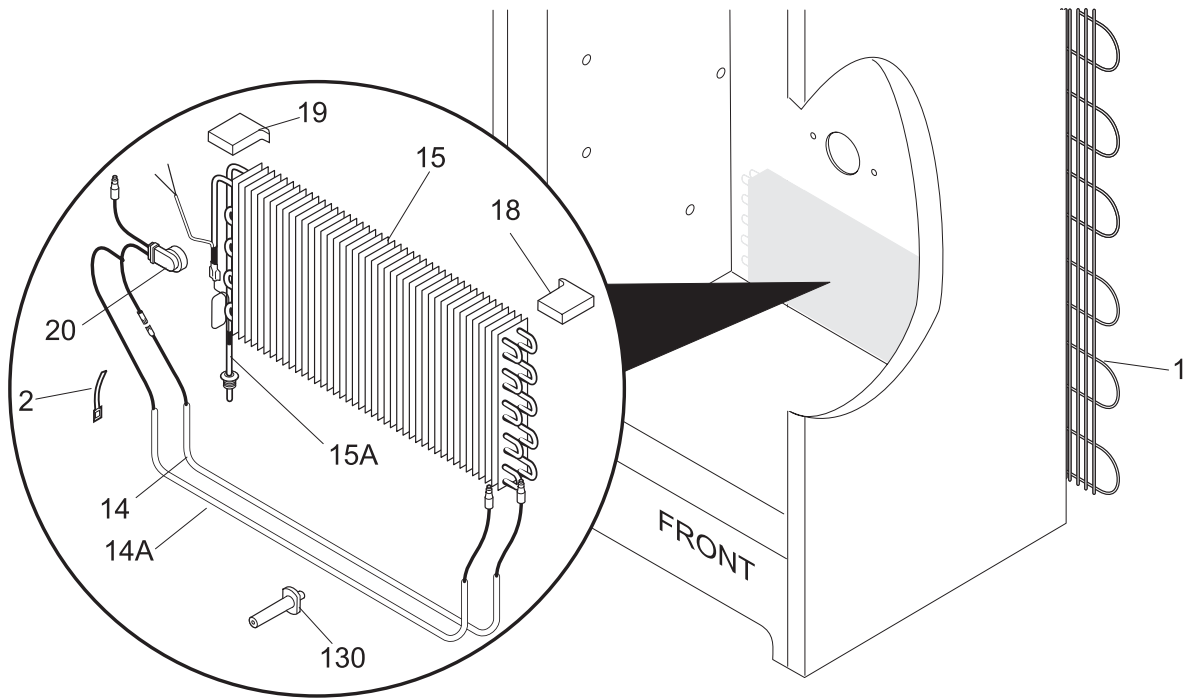


P08C0995

CABINET

POS. NO	PART NO.	DESCRIPTION
3	216503100	Screen-drain
5 #	216325600	Fan Blade
6	216604200	Breaker Kit w/corners
9	216603300	Breaker Kit w/corners, 32", top or bottom
10	216999400	Tubing- heater, formed
10A	216933700	Bracket, drain pan
*	216917100	Screw, 8-18x.625, flat sems, (2), bracket
13 #	216934100	Motor, fan, 115 V
14	216998000	Switch, light/lamp, ramp
15	216846400	Light Bulb/Lamp
16	216817600	Socket, light/lamp, 25 W
18	216707200	Knob, temp control
19	216204900	Gasket, evap cover
20	216230300	Cover, temp control
21 #	216807800	Control-temperature
22	216823500	Clamp, cap tube, cold control
22A	5303916855	Tube, sensor sleeve, plastic, clear
24	5300052943	Screw-clamp, truss hd cr, control
25	297098800	Cover-evaporator
26	216503300	Ramp, door closer
26A	216959900	Pan-crisper, (2)
28	216247400	Hinge, bottom
29	216313503	Hose-drain
31	216732400	Pan-drain
32	5308005500	Drain
34	216816200	Shield-light
38	216939100	Hinge-upper
40	216809000	Cover-hinge
41	216936800	Screw-hinge, 12-24x.700 HWH
43B	297048400	Clip
47	216661601	Baffle-plate
47A	240350650	Insert-pan cover, glass
50	216394000	Bracket, fan motor mount
62	131420300	Screw, cr truss head, 8-18AB x 0.750
63	216396900	Screw, leveling foot, plastic, adjustable
71A	5304416289	Screw, ph truss head, 8-18AB x 0.47, EVAP PANEL
72	297036900	Grille/Kickplate, 32", white
80	06594601	Bracket, control
93A	216629600	Screw, hex washer head, 10-16 x 0.500, tapping
93B	216036600	Screw, ph washer head, 8-32CA x 0.500, thread forming
93D	216912400	Screw, hex washer head, #8-32 x .500, bracket fan mtr, (2)
132	5303283898	Screw, 6-20AB x 3/8
144	216922300	Shelf-assy, fixed, glass, (3), complete
*	216502400	Grommet-shelf mtg
148	216995501	Cover-crisper pan
149	240361301	Damper, humidity cont.
150	240361202	Knob, humidity cont.
151	216988200	Support-crspr cover, RH
151	216988201	Support-crspr cover, LH
*	216697905	Energy Guide
*	297001704	Insulation, 24", drain tube

SYSTEM



P08S0441

SYSTEM

POS. NO	PART NO.	DESCRIPTION
1 #	5300083897	Condenser
2	5308000110	Strap-evap/heater, aluminum, (2)
4 #	216938600	Drier-filter
5 #	216986800	Harness-main
14	216730700	Heater-defrost
14A#	216730500	Heater-internal
15 #	216997300	Evaporator
15A	216751100	Heat Exchanger
18	297078700	Insulator-evap, styrofoam
19	297078800	Insulator-evap, styrofoam
20	216731001	Thermostat, defrost
23 #	216744500	Timer-defrost
24	08016580	Bracket
27	5308002681	Grommet, compressor
29 #	216966300	Compressor, w/o electricals
30	216954200	Controller, compressor, 5 speed
32	216954300	Clip, controller
34	5306594529	Sleeve-compressor
35	5303272328	Screw, lnd hex sems, 1/4-28 unfx, compressor
43B	297048400	Clip
55	216985000	Capacitor, run, 10MF
86	216036600	Screw, ph washer head, 8-32CA x 0.500, thread forming
87	08016582	Screw, hi-lo blunt, 8-18 X 1/2
130	216486800	Support, evaporator mtg
*	216502500	Sleeve, suction line