



PERFORMANCE DATA NO LOAD AND NO DOOR OPENINGS AT MID-POINT CONTROL SETTING				
Type A with Run/Start Capacitor	65°F (18°C) Ambient		90°F (32°C) Ambient	
	Variable Speed	Standard	Variable Speed	Standard
Operating Time	74 to 84%	32 to 40%	100%	55 to 65%
Freezer Temperature	-2° to 2°F -19° to -17°C	0° to 4°F -18° to -16°C	-1° to 3°F -18° to -16°C	-1° to 3°F -18° to -16°C
Refrigerator Temperature	34° to 39°F 1° to 4°C	34° to 39°F 1° to 4°C	34° to 39°F 1° to 4°C	34° to 39°F 1° to 4°C
Low Side Pressure (cut-in)	5 to 12 psig 43 to 83 kPa	5 to 12 psig 43 to 83 kPa	N/A	5 to 12 psig 43 to 83 kPa
Low Side Pressure (cut-out)	-2 to 2 psig -14 to 14kPa	-2 to 2 psig -14 to 14kPa	-2 to 2 psig -14 to 14kPa	-2 to 2 psig -14 to 14kPa
High Side Pressure (last 1/3 cycle)	90 to 105 psig 621 to 724 kPa	90 to 115 psig 621 to 793 kPa	120 to 135 psig 827 to 931 kPa	130 to 155 psig 896 to 1069 kPa
Wattage (last 1/3 cycle)	60 to 65	120 to 150	65 to 80	130 to 160
Amps (running)	.7 to 1.1	1.0 to 1.4	.9 to 1.3	1.1 to 1.5
Base Voltage	115 vac (127 vac max)		115 vac (127 vac max)	
DEFROST SPECIFICATIONS				
Cabinet Size	Thermostat		Heater	
	Cut-in	Cut-out	Watts	Ohms
23'	25°F (-4°C)	47°F (8°C)	450	30
Electronic Timer – (ADC) Defrost 24 minutes every 6 – 96 hours of compressor run time.				
CONDENSER FAN MOTOR				
Watts	RPM		Amps	
2.8	950 CW Opposite Shaft		.1 Running	
ICE MAKER SPECIFICATIONS				
Electrical	115 vac (127 vac max)			
Thermostat	Opens at 48°F (9°C)		Closes at 15°F (-9°C)	
Heater Voltage	85 vac			
ICE MAKER CONNECTOR PLUG CONNECTIONS				
Wire Number	Wire Color	Connects to:		
1	Green/Yellow	Ground		
2	Yellow	Water Valve		
3	Black	Line		
4	Light Blue	Neutral		

IMPORTANT
Please return this sheet to its original location.

SERVICE DATA SHEET

241639000

ICE & WATER - AUTOMATIC DEFROST COUNTER DEPTH SIDE BY SIDE - R134a

IMPORTANT SAFETY NOTE

The information provided herein is designed to assist qualified repair personnel only. Untrained persons should not attempt to make repairs due to the possibility of electrical shock. Disconnect power cord before servicing this appliance.

IMPORTANT

If any green grounding wires are removed during servicing, they must be returned to their original position and properly secured.

CAUTION

All electrical parts and wiring must be shielded from torch flame. DO NOT allow torch to touch insulation; it will char at 200°F and flash ignite (burn) at 500°F. Excessive heat will distort the plastic liner.

NOTE

This product comes equipped with an Adaptive Defrost Control (ADC). To activate manual defrost, press and hold the Freezer temperature UP (WARMER) key while pressing the Fresh Food temperature DOWN (COLDER) key 5 times within 6 seconds. A “d” in the freezer temperature window and “F” in the refrigerator temperature window will display when the heater is activated. To deactivate manual defrost, press and hold Freezer temperature UP (WARMER) key while pressing the Fresh Food temperature DOWN (COLDER) key 5 times within 6 seconds. “d” and “F” will be displayed until the defrost cycle is complete. (approx. 8 minutes)

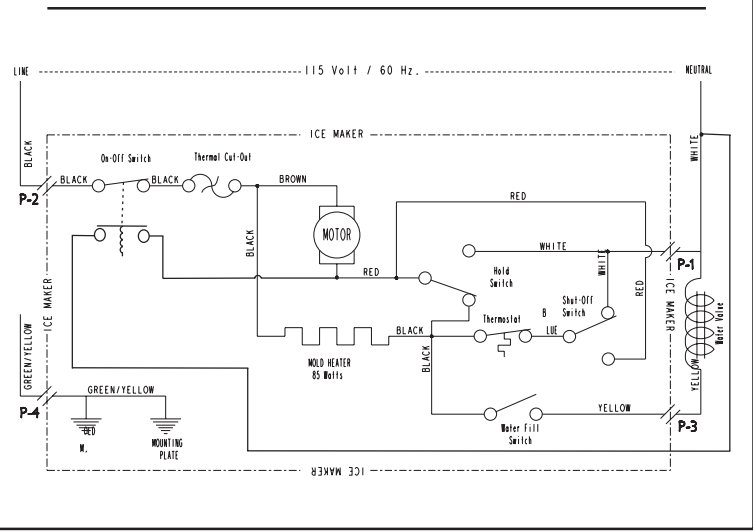
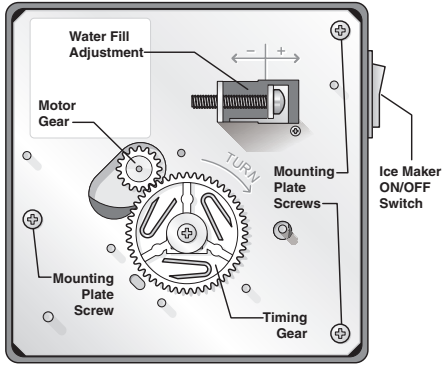
ICE MAKER INFORMATION

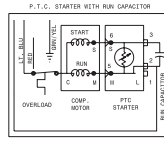
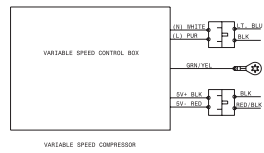
Test Cycling

Press the momentary contact on the ON/OFF switch for approximately 15 seconds. Ice maker will continue to complete the cycle.

Water Fill Volume

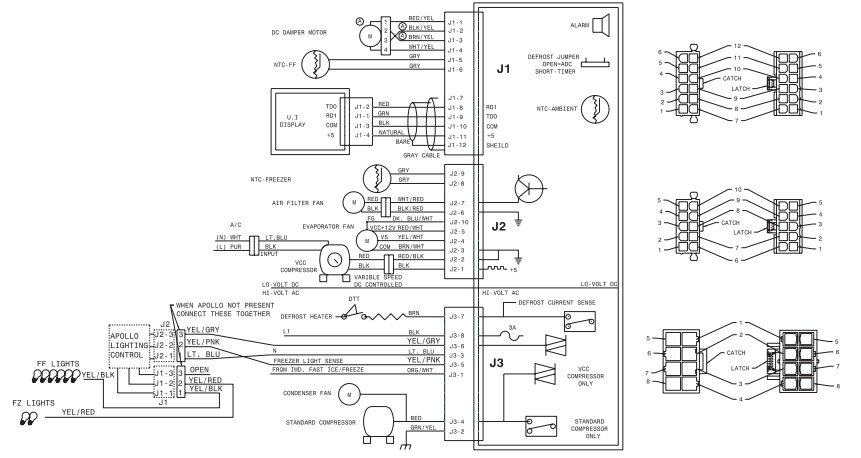
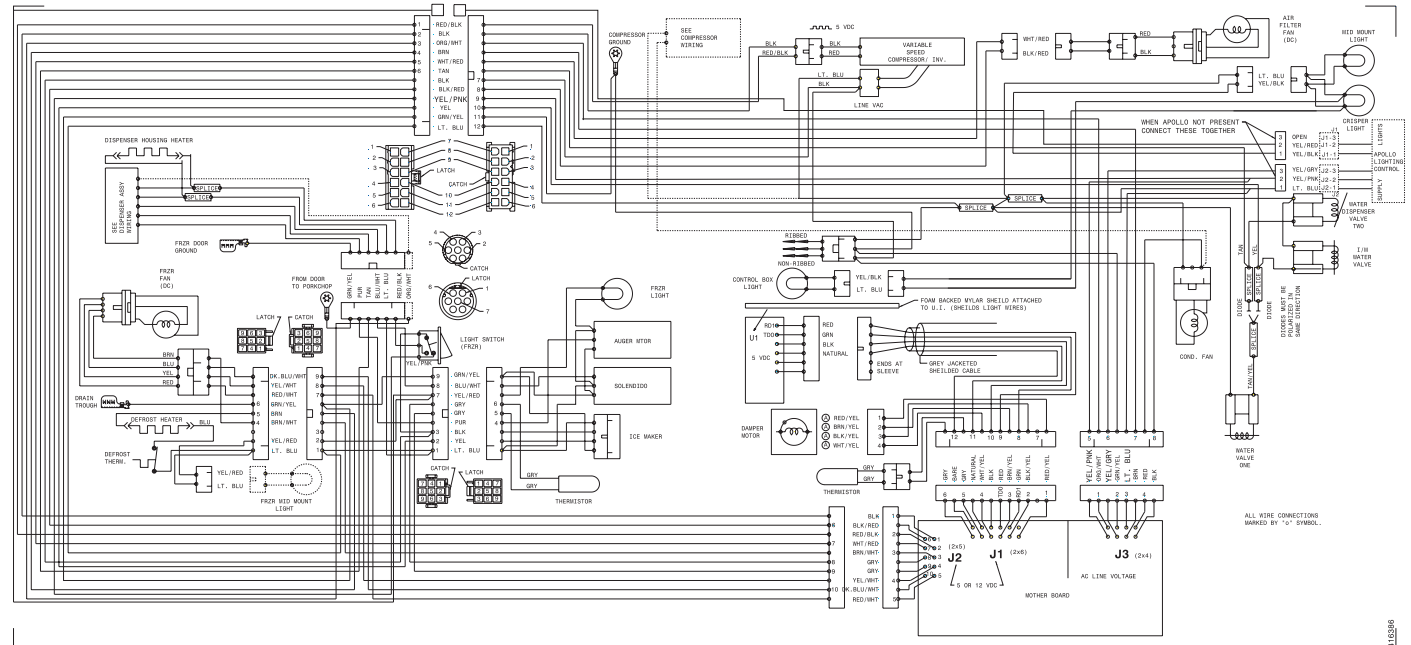
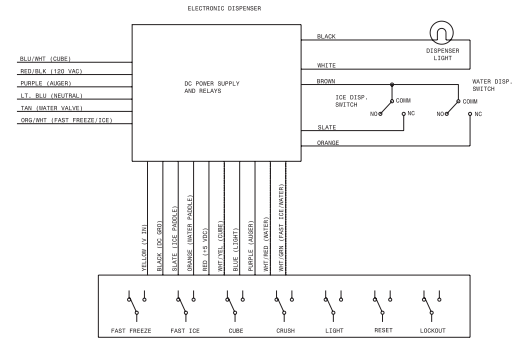
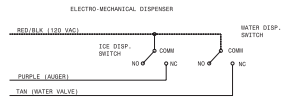
Remove cover by inserting screwdriver in notch at bottom and prying cover from housing. The water fill adjustment screw will change the fill time. One turn is equal to 20cc (.68 oz.). The correct fill is 102 to 110cc (3.25 to 3.5 oz.). When a water valve is replaced, the fill volume must be checked.





*CAPACITOR IS ONLY USED WITH SOME P.T.C. MODELS

STANDARD AC COMPRESSOR



ALL WIRE CONNECTIONS MARKED BY "o" SYMBOL.

2145386