

*Frigidaire*

Factory Parts Catalog

|                    |               |               |               |
|--------------------|---------------|---------------|---------------|
| Product No.        | GHSC39ETJB0   | GHSC39ETJS0   | GHSC39ETJW0   |
| Series             | counter depth | counter depth | counter depth |
| Color              | black         | stainless     | white         |
| Volts              | 115           | 115           | 115           |
| Wiring Diagram     | 241638600     | 241638600     | 241638600     |
| Owner's Guide      | 241857500     | 241857500     | 241857500     |
| Market             | North America | North America | North America |
| Energy Guide       | 241868032     | 241868032     | 241868032     |
| Service Data Sheet | 241639000     | 241639000     | 241639000     |

 **Electrolux**

Electrolux Major Appliances  
North & Latin America  
P.O. BOX 212378  
AUGUSTA, GA 30917

Publication No.  
**5995511200**  
08/04/07  
(EN/SERVICE/DCS)  
137

**SIDE-BY-SIDE  
REFRIGERATOR**

Model No.  
**GHSC39ETJ**

Copyright © 2008 Electrolux Home Products, Inc.  
All rights reserved.



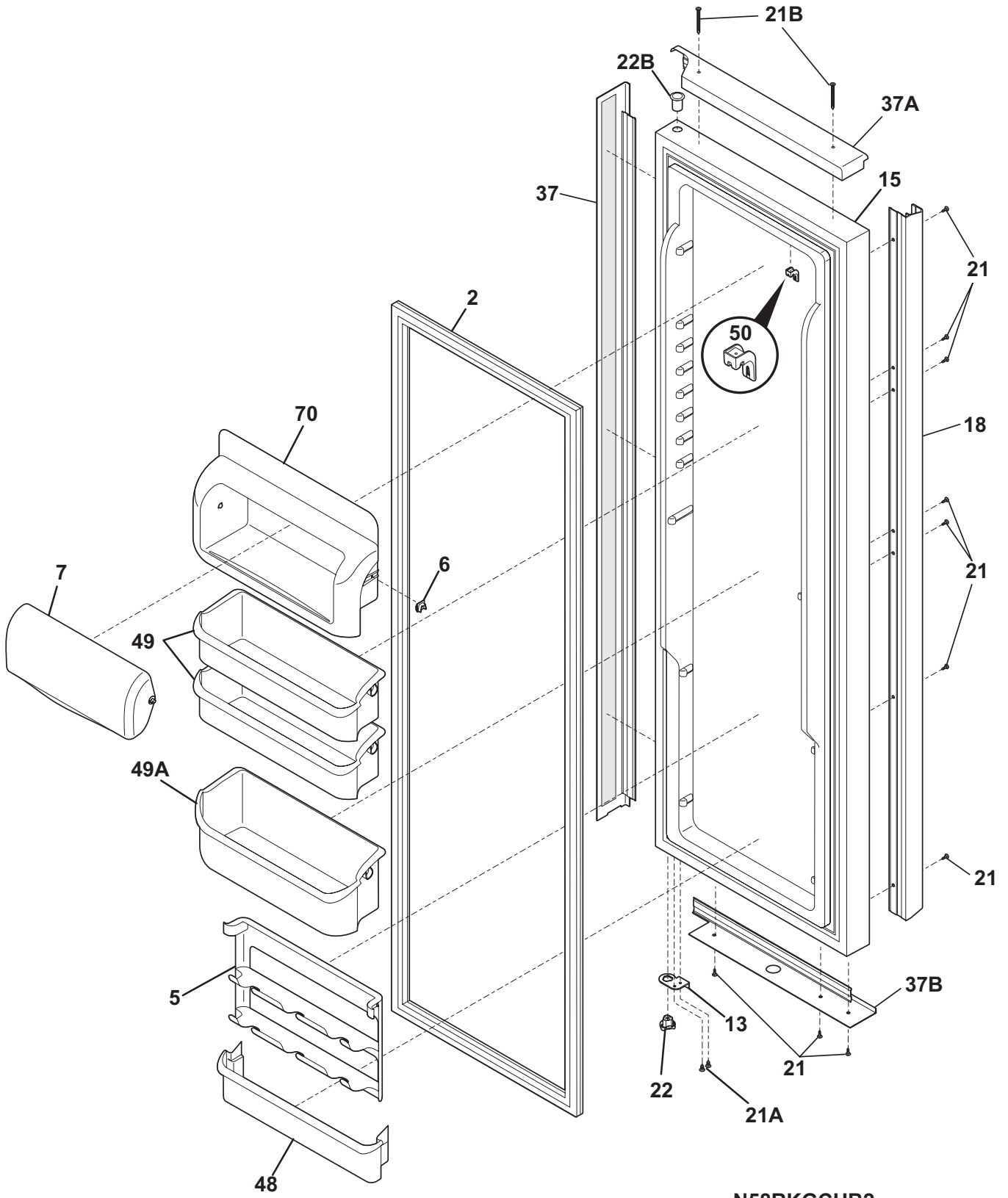
## FREEZER DOOR

---

*Model Index:*    A GHSC39ETJ (GHSC39ETJB0)  
                           B GHSC39ETJ (GHSC39ETJS0)  
                           C GHSC39ETJ (GHSC39ETJW0)

| POS. NO | PART NO.   |       | DESCRIPTION                                   |
|---------|------------|-------|---|
| 1 #     | 241510204  | A B - | Gasket-frzr door, black, magnetic             |
| 1 #     | 241510202  | - - C | Gasket-frzr door, white, magnetic             |
| 4B      | 241808216  | A B C | Bin-door, pseudo, frzr                        |
| 5       | 241545001  | A B C | Bin-tilt out, tilt-out                        |
| 11      | 241668176  | A - - | Door-frzr, black, complete assy               |
| 11      | 241615189  | - B - | Door-frzr, black, complete assy               |
| 11      | 241668127  | - - C | Door-frzr, white, complete assy               |
| 13A     | 240581906  | A B - | Door Stop, black, frzr                        |
| 13A     | 240581902  | - - C | Door Stop, white, frzr                        |
| 18      | 241533605  | A - - | Handle-frzr door, black                       |
| 18      | 241533607  | - B - | Handle-frzr door, aluminum                    |
| 18      | 241533601  | - - C | Handle-frzr door, white                       |
| 21      | 218781101  | A B C | Screw, pan head, 8-18 x 0.625                 |
| 21A     | 240598402  | A B C | Screw, 10-32 x 1/2                            |
| 21B     | 241543202  | A B C | Screw, #10-16 x 2                             |
| 22A     | 240328202  | A B C | Bearing-hinge(frz), closer                    |
| 22C     | 240328404  | A B - | Bearing-hinge, black, upper                   |
| 22C     | 240328402  | - - C | Bearing-hinge, natural, upper                 |
| 37      | 241533705  | A - - | Trim-door, black, side                        |
| 37      | 241533707  | - B - | Trim-door, brushed aluminu, side              |
| 37      | 241533701  | - - C | Trim-door, white, side                        |
| 37A     | 241534205  | A - - | Trim-door, black, top                         |
| 37A     | 241534207  | - B - | Trim-door, aluminum, top                      |
| 37A     | 241534201  | - - C | Trim-door, white, top                         |
| 37B     | 241533805  | A - - | Trim-frzr door, lower                         |
| 37B     | 241533807  | - B - | Trim-door, aluminum, bottom                   |
| 37B     | 241533801  | - - C | Trim-door, white, bottom                      |
| 68      | 241525101  | A B C | Chute-ice                                     |
| *       | 240411502  | A B C | Clip-dispenser cover                          |
| *       | 240451503  | A B C | Screw, ind hex wshr hd, 8-32 x 0.375, trilobe |
| *       | 240552102  | A B C | Harness-wiring, door                          |
| *       | 241806601  | A B C | Connector-water, straight                     |
| *       | 5303918256 | A B C | Dispenser heater kit                          |

REFRIGERATOR DOOR



N58RKGCHB2

---

**REFRIGERATOR DOOR**


---

*Model Index:* A GHSC39ETJ (GHSC39ETJB0)  
 B GHSC39ETJ (GHSC39ETJS0)  
 C GHSC39ETJ (GHSC39ETJW0)

| POS. NO | PART NO.  |       | DESCRIPTION                       |
|---------|-----------|-------|-----------------------------------|
| 2 #     | 241510203 | A B - | Gasket-refr door, black, magnetic |
| 2 #     | 241510201 | - - C | Gasket-refr door, white, magnetic |
| 5       | 241516102 | A B C | Rack-can                          |
| 6       | 241515901 | A B C | Lug-dairy compartment             |
| 7       | 241515601 | A B C | Door-dairy                        |
| 13      | 240581905 | A B - | Door Stop, black, ref             |
| 13      | 240581901 | - - C | Door Stop, white, refr            |
| 15      | 241534515 | A B - | Door-refr, black, complete assy   |
| 15      | 241534514 | - - C | Door-refr, white, complete assy   |
| 18      | 241533606 | A - - | Handle-door, black                |
| 18      | 241533608 | - B - | Handle-refr door, aluminum        |
| 18      | 241533602 | - - C | Handle-refr door, white           |
| 21      | 218781101 | A B C | Screw, pan head, 8-18 x 0.625     |
| 21A     | 240598402 | A B C | Screw, 10-32 x 1/2                |
| 21B     | 241543202 | A B C | Screw, #10-16 x 2                 |
| 22      | 240328203 | A B - | Bearing-hinge, black, closer      |
| 22      | 240328201 | - - C | Bearing-hinge(ref), closer        |
| 22B     | 240328404 | A B - | Bearing-hinge, black, upper       |
| 22B     | 240328402 | - - C | Bearing-hinge, natural, upper     |
| 37      | 241533706 | A - - | Trim-door, black, side            |
| 37      | 241533708 | - B - | Trim-door, aluminum, side         |
| 37      | 241533702 | - - C | Trim-door, white, side            |
| 37A     | 241534206 | A - - | Trim-door, black, top             |
| 37A     | 241534208 | - B - | Trim-door, aluminum, top          |
| 37A     | 241534202 | - - C | Trim-door, white, top             |
| 37B     | 241533806 | A - - | Trim-refr door, bottom            |
| 37B     | 241533808 | - B - | Trim-door, aluminum, bottom       |
| 37B     | 241533802 | - - C | Trim-door, white, bottom          |
| 48      | 241808207 | A B C | Bin-door, gallon, ref, w/trim     |
| 49      | 241808213 | A B C | Bin-door, 2 liter                 |
| 49*     | 241779901 | A B C | Liner, bin, 2 liter               |
| 49A     | 241808210 | A B C | Bin-door, gallon, w/trim          |
| 49A*    | 241780001 | A B C | Liner, bin, gallon                |
| 50      | 241508401 | A B C | Cover-magnet                      |
| 70      | 241515801 | A B C | Compartment-dairy, removable      |



**CABINET**

*Model Index:* A GHSC39ETJ (GHSC39ETJB0)  
 B GHSC39ETJ (GHSC39ETJS0)  
 C GHSC39ETJ (GHSC39ETJW0)

| POS. NO | PART NO.   |       | DESCRIPTION  |
|---------|------------|-------|--|
| 10      | 241509804  | A B C | Cover-air duct   |
| 10A     | 241719711  | A B C | Cover-evap coil, lower   |
| 11      | 5303208309 | A B C | Plug-hole, factory test  |
| 14A     | 241547901  | A B C | Switch-light/lamp, frzr door                                   |
| 21C     | 218252201  | A B C | Screw, #8 truss hd, 10-32CA x 0.500                            |
| 22      | 240457702  | A B - | Plate-door closer  |
| 22      | 240457701  | - - C | Plate-door closer  |
| 23      | 240402702  | A B C | Screw-#10-32 x 1/4 flat hd                                     |
| 28      | 240335502  | A B C | Bolt-roller adj, hex washer head, 1/4-20 x 4.020, (2), special |
| 30      | 241603703  | A B C | Bracket-lower hinge, ref                                       |
| 30A     | 241603704  | A B C | Bracket-lower hinge  |
| 37      | 240337610  | A B - | Trim-cabinet corner, black, (2)                                |
| 37      | 240337608  | - - C | Trim-cabinet corner, white, (2)                                |
| 38      | 241617905  | A B C | Bracket-upper hinge  |
| 38A     | 241617906  | A B C | Bracket-upper hinge  |
| 40      | 241519205  | A - - | Cover-hinge, black   |
| 40      | 241519208  | - B - | Cover-upper hinge, silver metallic                             |
| 40      | 241519201  | - - C | Cover-hinge, white   |
| 40A     | 241519206  | A - - | Cover-hinge, black   |
| 40A     | 241519207  | - B - | Cover-upper hinge, silver metallic                             |
| 40A     | 241519202  | - - C | Cover-hinge, white   |
| 41      | 241550801  | A B C | Grommet-shelf mtg, 1.40" long                                  |
| 41*     | 241550701  | A B C | Grommet-shelf mtg, .96" long                                   |
| 42      | 240578902  | A B C | Screw, hex head, 1/4-20 x 5/8                                  |
| 43      | 240335005  | A B C | Roller Assy, adjustable, front, (2)                            |
| 45      | 241500303  | A B C | Screw, hex washer head, 8-18AB x 0.500                         |
| 47      | 241513001  | A B C | Channel-shelf mtg, side, (2)                                   |
| 50      | 241511102  | A B C | Board-main power   |
| 50*     | 241524802  | A B C | Seal, housing  |
| 50*     | 241532501  | A B C | Clip-harness   |
| 54      | 241532401  | A B C | Channel  |
| 66      | 241513601  | A B C | Damper Assy  |
| 72      | 240324411  | A - - | Grille/Kickplate, black  |
| 72      | 240324414  | - B - | Grille/Kickplate, metallic gray                                |
| 72      | 240324409  | - - C | Grille/Kickplate, white  |
| 81      | 5304455650 | A B C | Screw, hex washer head, 8-15A x 0.625, low profile             |
| 82      | 5304418225 | A B C | Roller, compressor base, rear, (2)                             |
| 83      | 5304455655 | A B C | Rivet, flat head, 1/4 OD x 1-3/4, roller pin                   |
| 89      | 241733902  | A B C | Cover-access, w/label  |
| 90      | 218249808  | A B C | Seal-coil cover  |
| 92      | 241710601  | A B C | Screw, hex washer hd, 1/4 x 7/8, hinge mtg                     |
| 100     | 240423701  | A B C | Support, crisper cover, front, (4)                             |
| 100*    | 240350802  | A B C | Support, crisper cover, rear, (4)                              |
| *       | 241591701  | A B C | Louver   |
| *       | 5303321321 | A B - | Paint, touch-up, black   |
| *       | 5303321319 | - - C | Paint, touch-up, white   |





**SHELVES**

*Model Index:* A GHSC39ETJ (GHSC39ETJB0)  
 B GHSC39ETJ (GHSC39ETJS0)  
 C GHSC39ETJ (GHSC39ETJW0)

| POS. NO | PART NO.   |       | DESCRIPTION   |
|---------|------------|-------|---|
| 2       | 241510605  | A B C | Trim-basket   |
| 11      | 241711213  | A B C | Shelf-freezer, glass, lower                         |
| 11A     | 241711214  | A B C | Shelf-freezer, glass, upper                         |
| 15      | 241552801  | A B C | Light Bulb  |
| 16      | 241622802  | A B C | Socket-light  |
| 16*     | 241513102  | A B C | Harness-wiring                                      |
| 21      | 5304455658 | A B C | Screw, hx wshr hd sems, 8-15A x 0.625               |
| 24      | 240355239  | A B C | Shelf-"Spill-Safe", fixed                           |
| 24B     | 240350126  | A B C | Shelf-"Spill-Safe", cantilever, sliding             |
| 24C     | 240424606  | A B C | Shelf-"Spill-Safe", sliding, "Aspect", complete     |
| 25      | 240599302  | A B C | Cover-crisper pan, upper                            |
| 25*     | 240362101  | A B C | Clip-slide, cover-crisper                           |
| 25A     | 240350902  | A B C | Cover-crisper pan, lower                            |
| 25B     | 240599801  | A B C | Cover-meat pan                                      |
| 26      | 240351041  | A B C | Pan-crisper, upper                                  |
| 26*     | 240349801  | A B C | Clip-slide, pan-crisper                             |
| 26*     | 241595202  | A B C | Clip-slide, pan-crisper                             |
| 26A     | 241638201  | A B C | Control-humidity                                    |
| 26A*    | 241638101  | A B C | Frame-humidity control                              |
| 27      | 240351218  | A B C | Pan-crisper, lower                                  |
| 27A     | 240362201  | A B C | Control-humidity                                    |
| 39      | 240367603  | A B C | Trim-shelf, 11.65", front                           |
| 41      | 241637601  | A B C | Baffle-air  |
| 47      | 240350602  | A B C | Insert-pan cover, glass                             |
| 47A     | 240350603  | A B C | Insert-pan cover, glass                             |
| 47B     | 240443352  | A B C | Insert-pan cover, glass                             |
| 49      | 241515001  | A B C | Basket-sliding                                      |
| 49A     | 241528001  | A B C | Basket-sliding, upper, half                         |
| 49B     | 241514901  | A B C | Basket-sliding, upper, full                         |
| 51      | 241514501  | A B C | Hanger-basket, RH                                   |
| 51A     | 241514701  | A B C | Hanger-shelf glass, RH                              |
| 51B     | 240579803  | A B C | Hanger-basket, RH                                   |
| 52      | 241514601  | A B C | Hanger-basket, LH                                   |
| 52A     | 241514801  | A B C | Hanger-shelf glass, LH                              |
| 52B     | 240579804  | A B C | Hanger-basket, LH                                   |
| 60      | 218362501  | A B C | Screw, hex washer head, 8-18AB x 1.250, spacer, (2) |
| 62      | 240599704  | A B C | Pan-meat  |
| 81      | 5304455650 | A B C | Screw, hex washer head, 8-15A x 0.625, low profile  |
| 97      | 241532005  | A B C | Water Tank  |
| 100     | 240326304  | A B C | Cover-water tank                                    |
| 101     | 218493101  | A B C | Screw, hex washer head, 8-18AB x 1-3/4              |
| 107     | 241513402  | A B C | Shield-light, meat pan                              |
| 108     | 241513301  | A B C | Cover-wiring, meat pan light                        |
| 109     | 241513202  | A B C | Base-crisper light socket                           |
| 120     | 241691701  | A B C | Shelf-ice cream                                     |
| 121     | 241504701  | A B C | Rail-ice cream shelf, LH                            |
| 122     | 241504702  | A B C | Rail-ice cream shelf, RH                            |
| 126     | 241674401  | A B C | Channel, auger mtg, LH                              |
| 126     | 241674402  | A B C | Channel, auger mtg, RH                              |
| 136     | 241657702  | A B C | Dispenser-can, clear                                |
| 140     | 240430505  | A B C | Channel, wtr tube cover                             |
| 143     | 240423301  | A B C | Divider-crisper pan                                 |
| *       | 241868032  | A B C | Energy Guide  |



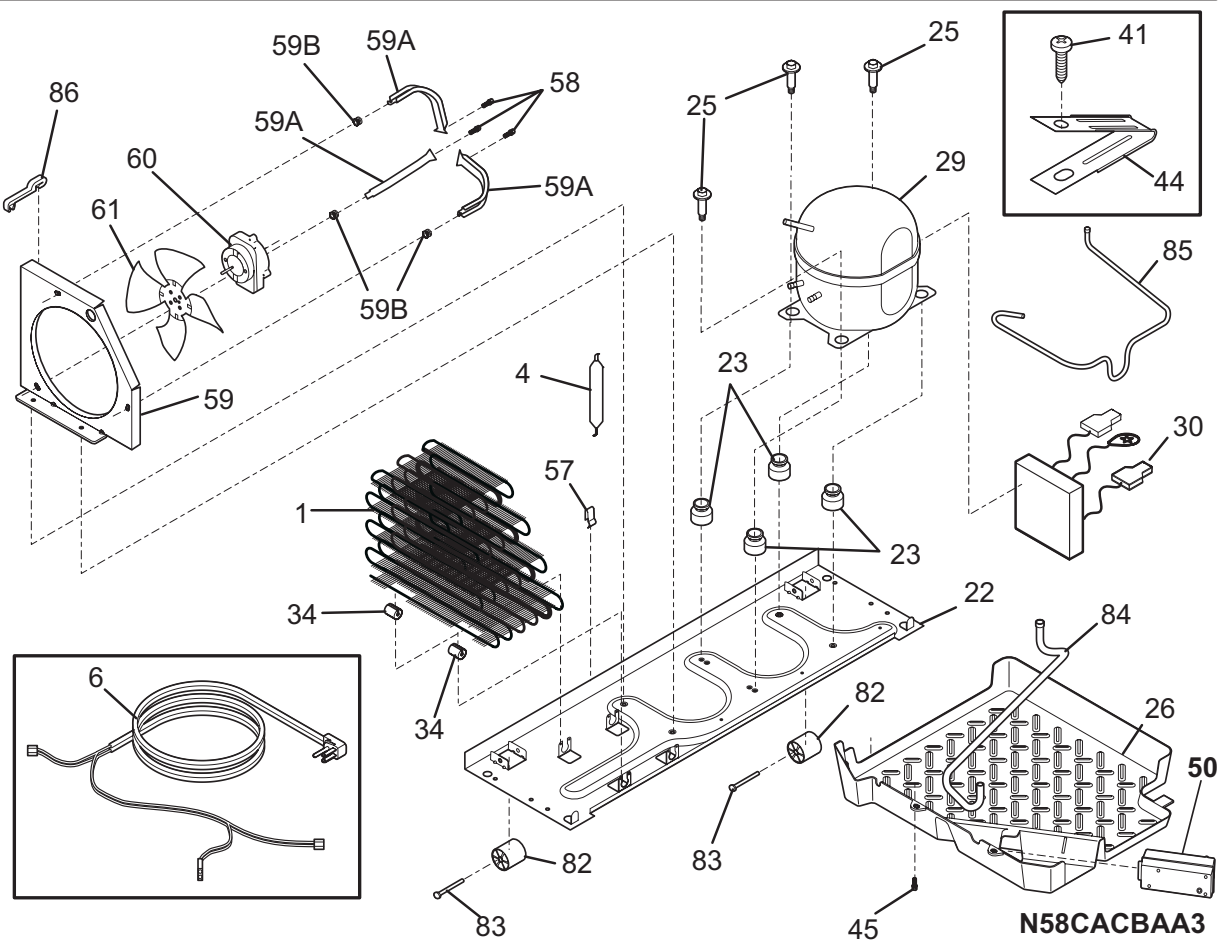
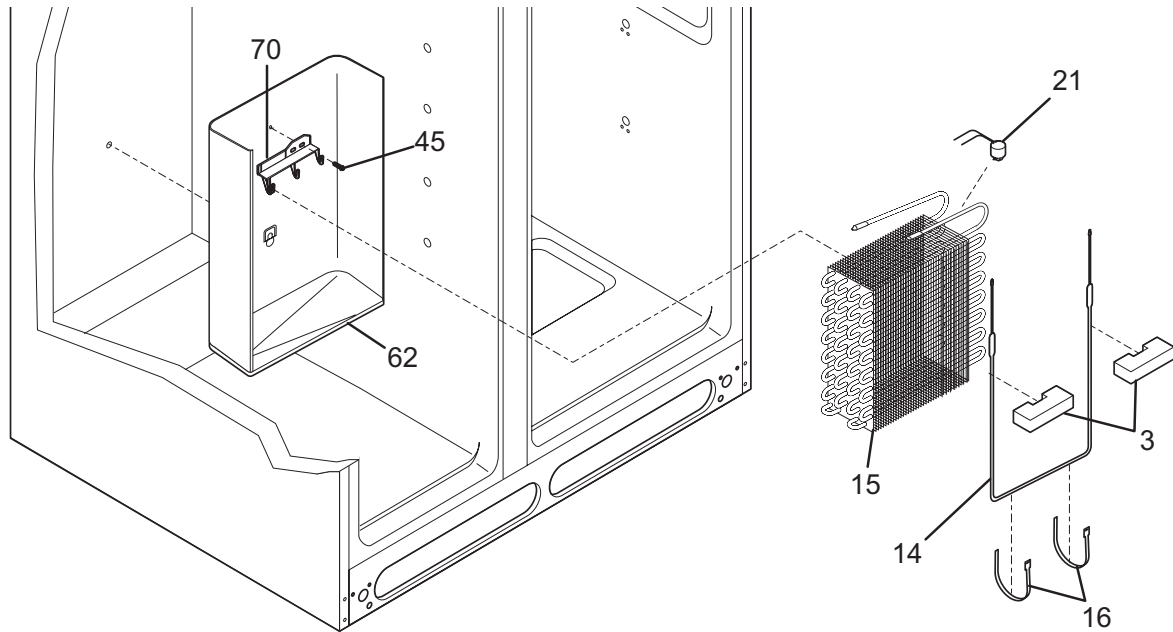
## CONTROLS

---

*Model Index:*    **A** GHSC39ETJ (GHSC39ETJB0)  
                           **B** GHSC39ETJ (GHSC39ETJS0)  
                           **C** GHSC39ETJ (GHSC39ETJW0)

| POS. NO | PART NO.   |       | DESCRIPTION   |
|---------|------------|-------|---|
| 5 #     | 5308000010 | A B C | Fan Blade, red, evaporator fan                      |
| 8       | 215474201  | A B C | Washer, "slinger", nylon, evap fan shaft            |
| 9       | 241518301  | A B C | Bushing, motor mounting                             |
| 13      | 241509402  | A B C | Motor, evaporator fan                               |
| 13*     | 241510501  | A B C | Seal-diffuser                                       |
| 14      | 241517701  | A B C | Clip, evap fan motor                                |
| 15      | 241552801  | A B C | Light Bulb  |
| 16      | 241622802  | A B C | Socket-light  |
| 17      | 241516201  | A B C | Box-control, front                                  |
| 17*#    | 241510802  | A B C | Harness-wiring, control box                         |
| 21 #    | 240596703  | A B C | Control, electronic                                 |
| 22      | 240597203  | A B C | Sensor  |
| 23      | 241512901  | A B C | Cover-sensor  |
| 50      | 241511102  | A B C | Board-main power                                    |
| 50*     | 241524802  | A B C | Seal, housing                                       |
| 50*     | 241532501  | A B C | Clip-harness  |
| 54      | 241532401  | A B C | Channel   |
| 60      | 241510301  | A B C | Diffuser-air  |
| 75      | 241517802  | A B C | Shield-light  |
| 75A     | 5304455650 | A B C | Screw, hex washer head, 8-15A x 0.625, low profile  |
| 81      | 5304455658 | A B C | Screw, hx wshr hd sems, 8-15A x 0.625               |
| 115     | 241518501  | A B C | Damper, motorized                                   |
| 116     | 241518601  | A B C | Seal-damper, foam                                   |
| 137     | 240396401  | A B C | Filter, water, carbon cassette, front, with o'rings |
| 137*    | 240396701  | A B C | Bypass, water filter, Optional Part                 |
| 138     | 240397301  | A B C | Button-filter release                               |
| 139     | 240396002  | A B C | Base-water filter                                   |
| 139*    | 240526901  | A B C | O-ring, wtr filter base                             |
| 149     | 241517601  | A B C | Shroud-evap fan mtg                                 |
| 149*    | 241528304  | A B C | Seal, foam, evap fan assy                           |
| 151     | 241526001  | A B C | Filter housing                                      |
| 154     | 241525801  | A B C | Duct-air  |
| 155     | 241526102  | A B C | Motor-air filter                                    |
| 155*    | 241527202  | A B C | Harness-wiring, filter fan                          |
| 198     | 240397401  | A B C | Retainer  |
| 199     | 240397501  | A B C | Rod   |
| 199*    | 240398401  | A B C | Spring-filter release rod                           |
| 201     | 241816702  | A B C | Switch-membrane                                     |
| 205     | 241525901  | A B C | Air Filter Door                                     |
| 206     | 241504902  | A B C | Filter-air  |
| *       | 3205266    | A B C | Edge Protector, wiring harness                      |
| *       | 241537401  | A B C | Shield  |

**SYSTEM**



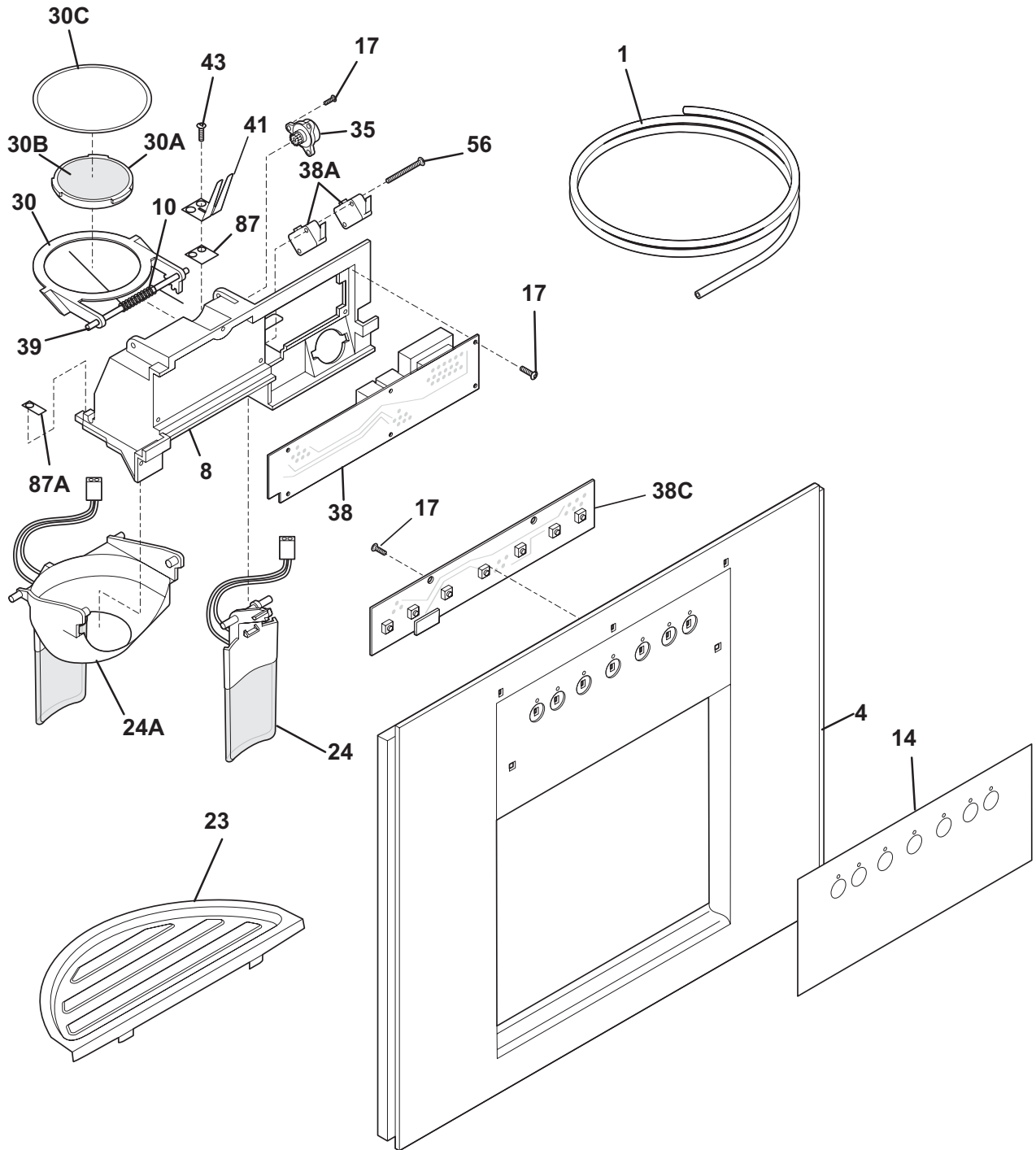
## SYSTEM

---

*Model Index:*   A GHSC39ETJ (GHSC39ETJB0)  
                       B GHSC39ETJ (GHSC39ETJS0)  
                       C GHSC39ETJ (GHSC39ETJW0)

| POS. NO | PART NO.   |       | DESCRIPTION  |
|---------|------------|-------|--|
| 1 #     | 240333605  | A B C | Condenser  |
| 3       | 218679607  | A B C | Block-evap coil, styrofoam, (2)                    |
| 4 #     | 218944001  | A B C | Drier-filter, R134a System                         |
| 6 #     | 241516901  | A B C | Cord-service                                       |
| 6* #    | 241510802  | A B C | Harness-wiring, control box                        |
| 6* #    | 241519902  | A B C | Harness-wiring                                     |
| 6* #    | 241527202  | A B C | Harness-wiring, filter fan                         |
| 6* #    | 241636203  | A B C | Harness-wiring, machine compt                      |
| 14 #    | 240316107  | A B C | Heater-defrost                                     |
| 15 #    | 5303918284 | A B C | Evaporator Kit                                     |
| 16      | 5308000110 | A B C | Strap-evap/heater, aluminum, (2)                   |
| 21 #    | 5303918214 | A B C | Thermostat-defrost, kit                            |
| 22      | 240330011  | A B C | Base-compressor mtg                                |
| 22*     | 218252201  | A B C | Screw, #8 truss hd, 10-32CA x 0.500                |
| 23      | 218513300  | A B C | Grommet-compr mtg, (4)                             |
| 25      | 240491503  | A B C | Screw-compressor mtg, 1/4-28 x 1.16, (4)           |
| 26      | 241697501  | A B C | Pan-defrost drain                                  |
| 29 #    | 241547601  | A B C | Compressor, w/electricals                          |
| 30 #    | 241577501  | A B C | Invertor   |
| 34      | 240405201  | A B C | Grommet, rubber, black, cond tube/wire             |
| 41      | 240555002  | A B C | Screw-#8-32 X 3/8                                  |
| 44      | 215174700  | A B C | Clamp-service cord, strain relief, galv steel      |
| 45      | 5304455650 | A B C | Screw, hex washer head, 8-15A x 0.625, low profile |
| 50      | 241635501  | A B C | Housing-control, apollo lighting                   |
| 50*     | 241641501  | A B C | Screw  |
| 57      | 240542601  | A B C | Clip-wiring harness                                |
| 58      | 240433203  | A B C | Screw, hex washer head, 8-18 x 3/8                 |
| 59      | 240315502  | A B C | Shroud-cond fan                                    |
| 59*     | 240346701  | A B C | Tape-foam seal, shroud                             |
| 59*     | 240359403  | A B C | Screw-fan shroud, (2)                              |
| 59A     | 240346501  | A B C | Bracket-support, cond mtr, (3)                     |
| 59B     | 240346601  | A B C | Grommet-bracket, (3)                               |
| 60 #    | 241584301  | A B C | Motor-condenser fan                                |
| 61      | 241639501  | A B C | Blade-condenser fan                                |
| 62      | 240429402  | A B C | Trough-drain                                       |
| 70      | 218990801  | A B C | Bracket-evap/cvr mtg                               |
| 82      | 5304418225 | A B C | Roller, compressor base, rear, (2)                 |
| 83      | 5304455655 | A B C | Rivet, flat head, 1/4 OD x 1-3/4, roller pin       |
| 84      | 5304421068 | A B C | Tube-drain, lower                                  |
| 85      | 241856901  | A B C | Tube-connector, suction                            |
| 86      | 240409302  | A B C | Spacer-cond tube, black                            |
| *       | 5303918222 | A B C | Hot Tube Repair Kit, service                       |
| * #     | 5303918327 | A B C | Heat Exchanger Kit, suction line                   |

ICE & WATER DISPENSER



N58XEBA002

---

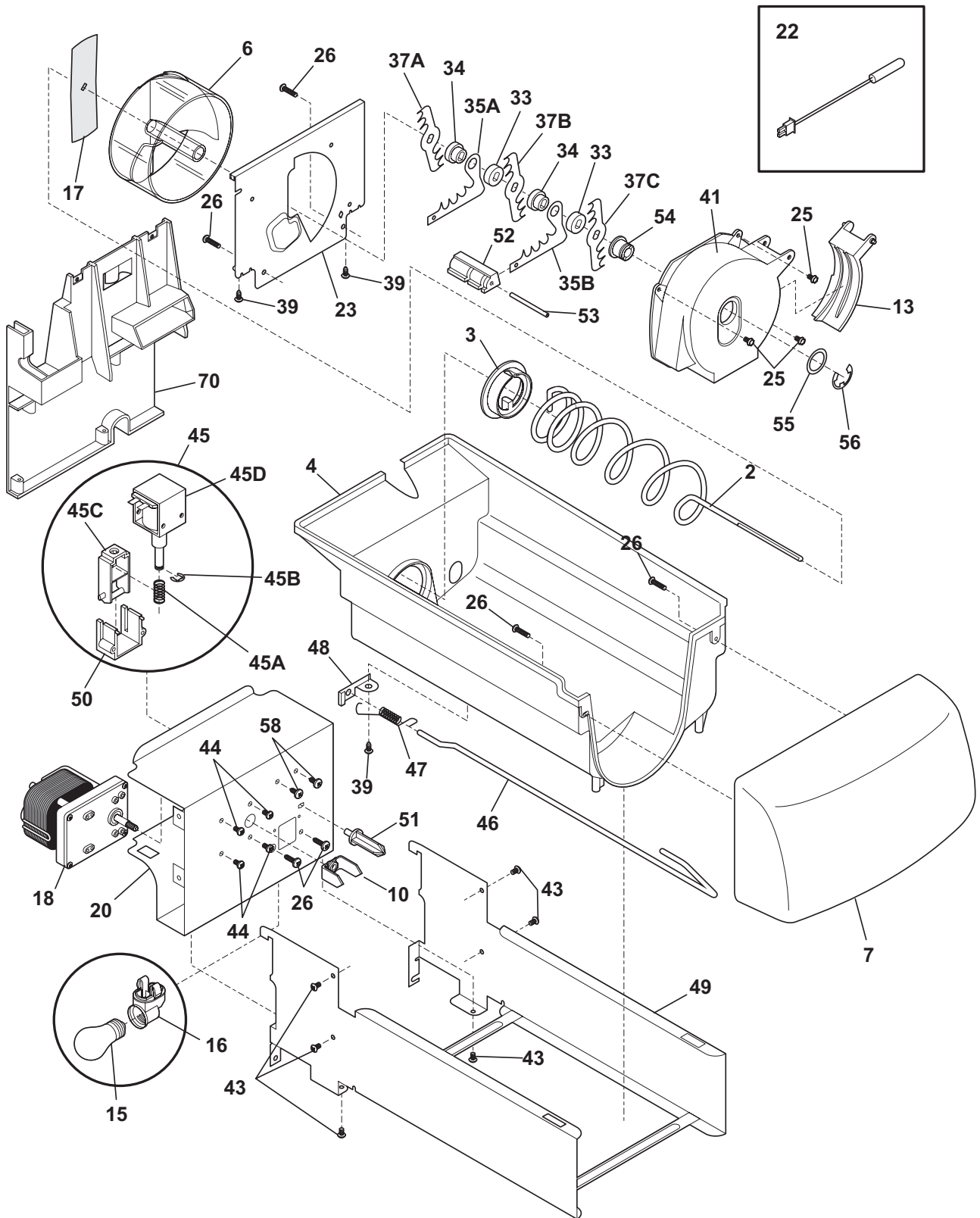
**ICE & WATER DISPENSER**


---

*Model Index:* A GHSC39ETJ (GHSC39ETJB0)  
 B GHSC39ETJ (GHSC39ETJS0)  
 C GHSC39ETJ (GHSC39ETJW0)

| POS. NO | PART NO.   |       | DESCRIPTION                                 |
|---------|------------|-------|---|
| 1       | 218976409  | A B C | Tube, water, door                           |
| 1*      | 218976418  | A B C | Tube-water inlet, inlet valve, to filter    |
| 1*      | 218976421  | A B C | Tube-water inlet, valve to door             |
| 1*      | 218976915  | A B C | Tube-water inlet, inlet valve, to filter    |
| 1*      | 240561702  | A B C | Seal-water inlet, inlet valve, to ice maker |
| 4       | 241678903  | A - - | Cover-module, black                         |
| 4       | 241678905  | - B - | Cover-module, silver metallic               |
| 4       | 241678901  | - - C | Cover-module, white                         |
| 4*      | 240363402  | A B C | Screw-#8-18 X 1/2, #6 hd plask              |
| 8       | 241680503  | A - - | Module-dispenser, black                     |
| 8       | 241680504  | - B - | Module-dispenser                            |
| 8       | 241680501  | - - C | Module-dispenser, white                     |
| 10      | 241688901  | A B C | Spring-torsion                              |
| 14      | 241543406  | A - - | Label-module cover, black                   |
| 14      | 241543413  | - B - | Label-module cover, silver metallic         |
| 14      | 241543404  | - - C | Label-module cover, white                   |
| 17      | 241679801  | A B C | Screw                                       |
| 23      | 241659203  | A - - | Drip Tray, black                            |
| 23      | 241659204  | - B - | Drip Tray, silver metallic                  |
| 23      | 241659201  | - - C | Drip Tray, white                            |
| 24      | 241685703  | A - - | Actuator-water, black                       |
| 24      | 241685704  | - B - | Actuator, stainless                         |
| 24      | 241685701  | - - C | Actuator-water, white                       |
| 24A     | 241682303  | A - - | Actuator-ice, black                         |
| 24A     | 241682304  | - B - | Actuator-ice, stainless                     |
| 24A     | 241682301  | - - C | Actuator-ice, white                         |
| 30      | 241688401  | A B C | Door Assy-ice chute                         |
| 30A     | 241688501  | A B C | Door center                                 |
| 30B     | 241688601  | A B C | Insulation-door                             |
| 30C     | 241688701  | A B C | Door seal                                   |
| 35      | 241689301  | A B C | Damper-rotary                               |
| 38 #    | 241708102  | A - C | Board-power                                 |
| 38      | 241527601  | - B - | Board-power                                 |
| 38A#    | 241689101  | A B C | Switch-micro, single pole, double throw     |
| 38C#    | 241708307  | A B C | Board-control                               |
| 38C*    | 241680001  | A B C | Harness-ribbon cable                        |
| 39      | 241688801  | A B C | Pin-hinge                                   |
| 41      | 241689001  | A B C | Spring-actuator                             |
| 43      | 215296301  | A B C | Screw, plask h/l, #6 x 3/8                  |
| 56      | 241689201  | A B C | Screw-micro switch, pan head                |
| 87      | 241688302  | A B C | Bearing Plate                               |
| 87A     | 241688301  | A B C | Bearing Plate                               |
| *       | 240411502  | A B C | Clip-dispenser cover                        |
| *       | 241686201  | A B C | Insulator-electrical                        |
| *       | 5303918256 | A B C | Dispenser heater kit                        |

ICE CONTAINER



N58YDAAAC5



---

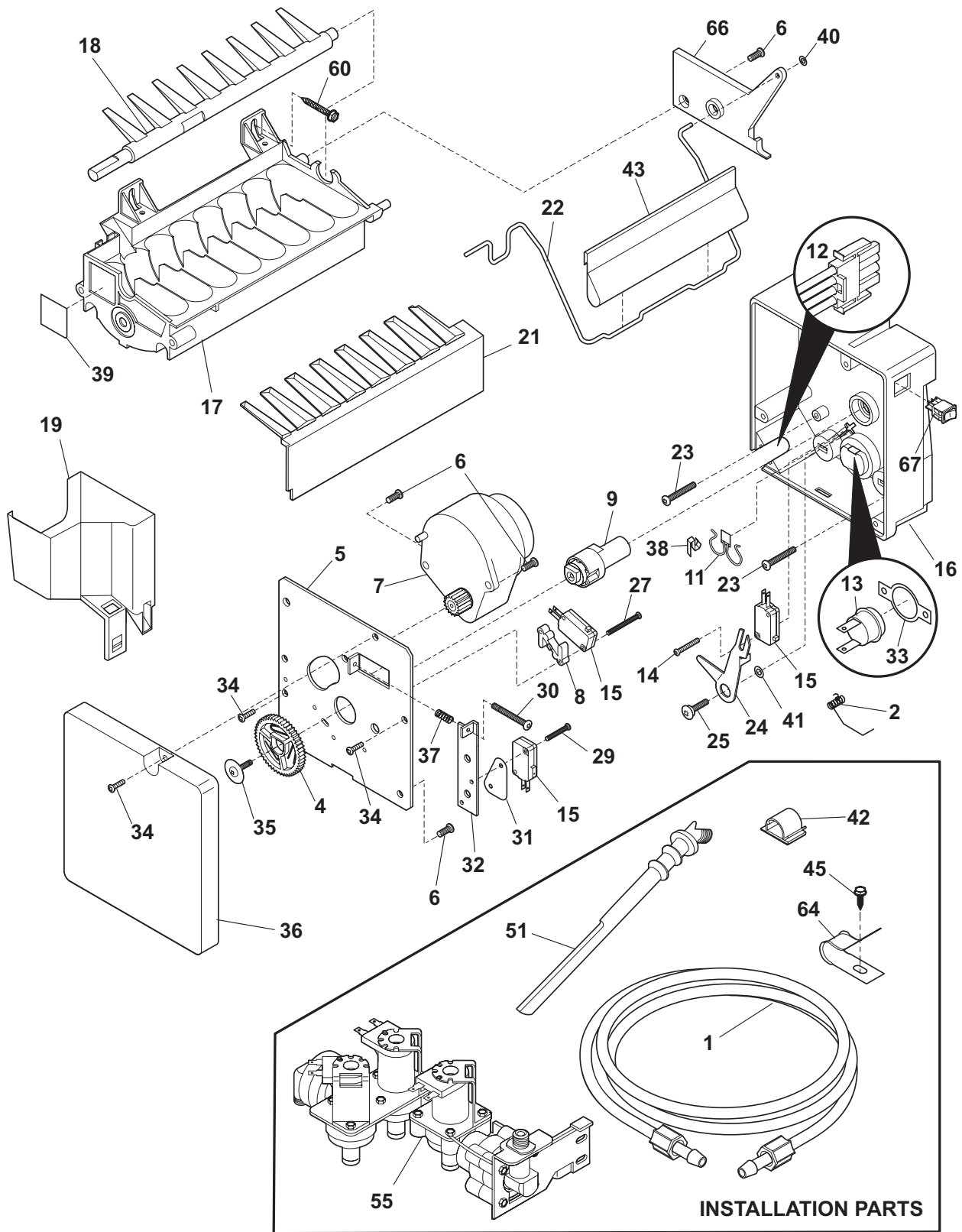
**ICE CONTAINER**


---

Model Index: A GHSC39ETJ (GHSC39ETJB0)  
 B GHSC39ETJ (GHSC39ETJS0)  
 C GHSC39ETJ (GHSC39ETJW0)

| POS. NO | PART NO.  |       | DESCRIPTION                           |
|---------|-----------|-------|---------------------------------------|
| 2       | 241684701 | A B C | Auger-ice                             |
| 3       | 241685201 | A B C | Cam-drive                             |
| 4       | 241515202 | A B C | Container-ice, bucket only            |
| 6       | 241685101 | A B C | Drum-ice disp                         |
| 7       | 241515301 | A B C | Front-ice container                   |
| 10      | 241726501 | A B C | Bar-drive                             |
| 13      | 241685301 | A B C | Gate                                  |
| 15      | 241555401 | A B C | Light Bulb                            |
| 16      | 241559801 | A B C | Socket-light                          |
| 17      | 241684501 | A B C | Drive Blade                           |
| 18 #    | 241676201 | A B C | Motor-auger                           |
| 18*     | 241522901 | A B C | Harness-wiring, icmkr/container       |
| 20      | 241675502 | A B C | Cover-motor                           |
| 22      | 240597203 | A B C | Sensor                                |
| 22*     | 241519401 | A B C | Clip, sensor                          |
| 23      | 241684001 | A B C | Plate-front                           |
| 25      | 241690701 | A B C | Screw, hex washer head, 8-32T x 0.375 |
| 26      | 215503203 | A B C | Screw, cr pan hd, 10-16 x 0.500       |
| 33      | 241684801 | A B C | Spacer                                |
| 34      | 241689801 | A B C | Spacer                                |
| 35A     | 241684301 | A B C | Fixed Blade, round                    |
| 35B     | 241684201 | A B C | Fixed Blade, square                   |
| 37A     | 241684101 | A B C | Blade, crusher #1                     |
| 37B     | 241684102 | A B C | Blade, crusher #2                     |
| 37C     | 241684103 | A B C | Blade, crusher #3                     |
| 39      | 241690501 | A B C | Screw                                 |
| 41      | 241685601 | A B C | Housing-crusher                       |
| 43      | 215005101 | A B C | Screw, hanger/rlr mtg, 8-10 x 7/16    |
| 44      | 241842101 | A B C | Screw, 8-32 x 1/4                     |
| 45 #    | 241675701 | A B C | Solenoid Assy, 115V                   |
| 45A     | 241675901 | A B C | Spring-solenoid                       |
| 45B     | 241676001 | A B C | E-Ring-solenoid                       |
| 45C     | 241676101 | A B C | Actuator-solenoid                     |
| 45D#    | 241675801 | A B C | Solenoid, 115V                        |
| 46      | 241684402 | A B C | Control Rod                           |
| 47      | 241731801 | A B C | Spring-control rod                    |
| 48      | 241684602 | A B C | Bracket-control rod                   |
| 49      | 241676501 | A B C | Rail Assy                             |
| 50      | 241675601 | A B C | Guide-solenoid                        |
| 51      | 241676301 | A B C | Rotation Stop                         |
| 52      | 241684901 | A B C | Spacer-fixed blades                   |
| 53      | 241690402 | A B C | Pin-spiral, fixed blades              |
| 54      | 241685001 | A B C | Nut-auger                             |
| 55      | 241690306 | A B C | Washer                                |
| 56      | 241690201 | A B C | E-ring                                |
| 58      | 218359202 | A B C | Screw, pan head, 8-32 x 0.250         |
| 70      | 241504601 | A B C | Plate-mounting                        |
| 70*     | 241551602 | A B C | Screw, hex head, 8-18B x 0.875        |
| 70*     | 241716801 | A B C | Clip                                  |
| *       | 240562101 | A B C | Insulator                             |
| *       | 241914702 | A B C | Ice Container Assy                    |

ICE MAKER



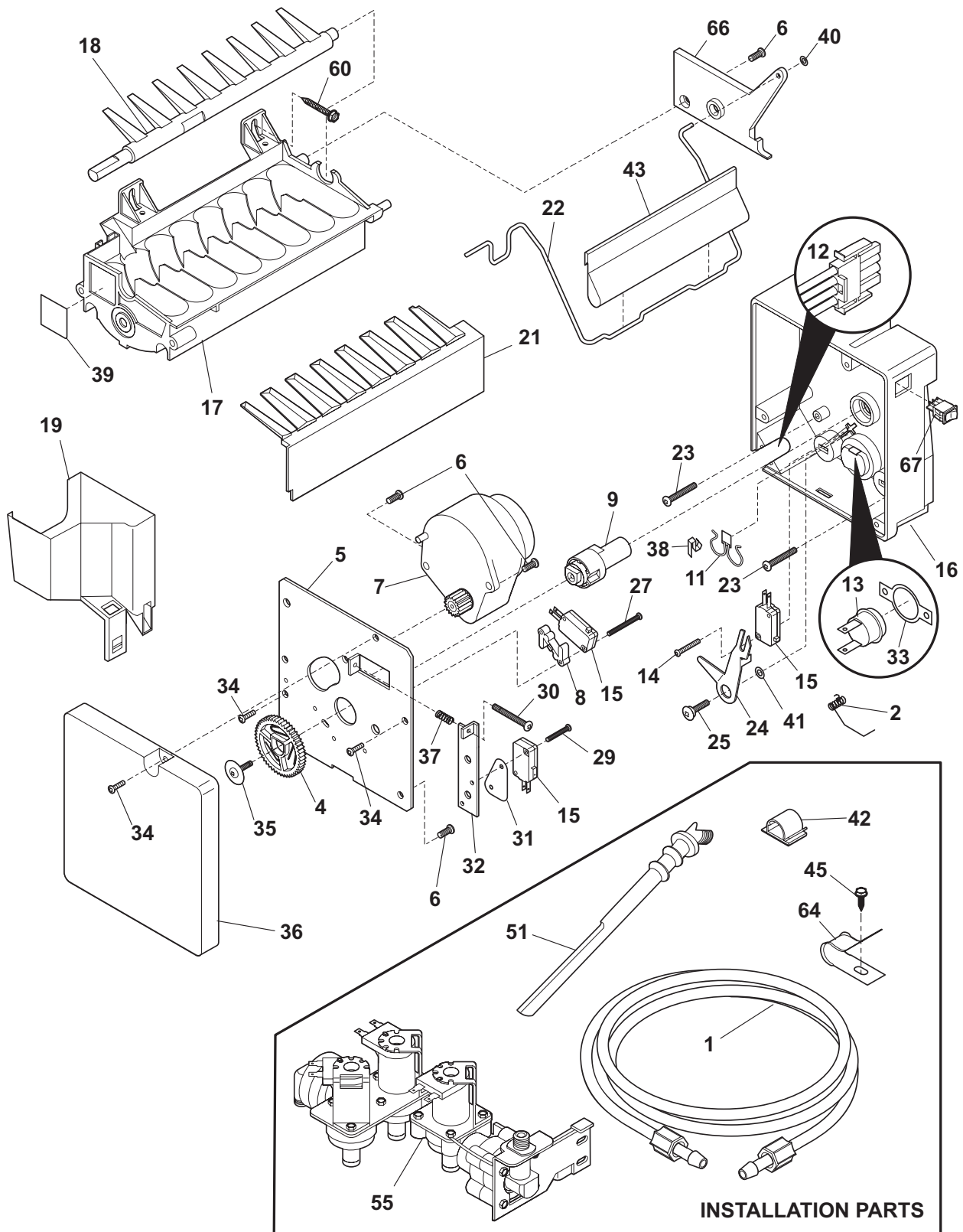
N58115TServo

## ICE MAKER

Model Index: A GHSC39ETJ (GHSC39ETJB0)  
 B GHSC39ETJ (GHSC39ETJS0)  
 C GHSC39ETJ (GHSC39ETJW0)

| POS. NO | PART NO.   |       | DESCRIPTION  |
|---------|------------|-------|--|
| 1       | 218976409  | A B C | Tube, water, door                                  |
| 1*      | 218976418  | A B C | Tube-water inlet, inlet valve, to filter           |
| 1*      | 218976421  | A B C | Tube-water inlet, valve to door                    |
| 1*      | 218976915  | A B C | Tube-water inlet, inlet valve, to filter           |
| 1*      | 240561702  | A B C | Seal-water inlet, inlet valve, to ice maker        |
| 2       | 5304459922 | A B C | Spring, shut-off arm                               |
| 4       | 5304458380 | A B C | Gear   |
| 5       | 5304458383 | A B C | Plate-mounting                                     |
| 6       | 5304458386 | A B C | Screw  |
| 7 #     | 5304458382 | A B C | Motor-ice maker Svo                                |
| 8       | 5304458388 | A B C | Spacer-hold switch                                 |
| 9       | 5304456662 | A B C | Cam  |
| 11 #    | 5304458400 | A B C | Thermal Cutoff, ice maker                          |
| 12      | 5304458379 | A B C | Harness-wiring                                     |
| 13      | 5304456665 | A B C | Thermostat, ice maker                              |
| 14      | 5304458384 | A B C | Screw  |
| 15 #    | 5304456667 | A B C | Switch-micro, (3)                                  |
| 16      | 5304458395 | A B C | Housing, control                                   |
| 17      | 5304456669 | A B C | Mold-ice maker, w/therm cut off                    |
| 18      | 5304458377 | A B C | Ejector-ice  |
| 18*#    | 240352601  | A B C | Wiring Harness, internal, with plug                |
| 19      | 5304458378 | A B C | Cup-water inlet                                    |
| 21      | 5304458390 | A B C | Ice Stripper                                       |
| 22      | 5304458375 | A B C | Shut-off Arm                                       |
| 23      | 5304458394 | A B C | Screw  |
| 24      | 5304458391 | A B C | Lever Arm  |
| 25      | 5304456676 | A B C | Screw, M 4x12.8 #2, lever arm/sprt                 |
| 27      | 5304458385 | A B C | Screw  |
| 29      | 5304458393 | A B C | Screw  |
| 30      | 5304458387 | A B C | Screw  |
| 31      | 5304458381 | A B C | Insulator  |
| 32      | 5304456681 | A B C | Plate-valve switch                                 |
| 33      | 5304458403 | A B C | Retainer-thermostat                                |
| 34      | 5304456678 | A B C | Screw, M 3x12 #3, (2)                              |
| 35      | 5304456684 | A B C | Screw  |
| 36      | 5304458376 | A B C | Cover-ice maker                                    |
| 37      | 5304456682 | A B C | Spring, timing adjust                              |
| 38      | 5304458398 | A B C | Clip   |
| 39      | 5304458399 | A B C | Conductor-heat                                     |
| 40      | 5304458401 | A B C | Clip-retainer                                      |
| 41      | 5304458389 | A B C | Screw  |
| 42      | 218515403  | A B C | Clip-grille  |
| 43      | 241720601  | A B C | Extension  |
| 45      | 5304455650 | A B C | Screw, hex washer head, 8-15A x 0.625, low profile |
| 51      | 241796402  | A B C | Tube-water fill, extension                         |
| 55 #    | 241734301  | A B C | Valve-water, triple solenoid                       |
| 55*     | 218709101  | A B C | Screw, hex head, 10-32 x 0.500                     |
| 55*     | 240363602  | A B C | Screw-shoulder                                     |

ICE MAKER



N58115TServo

---

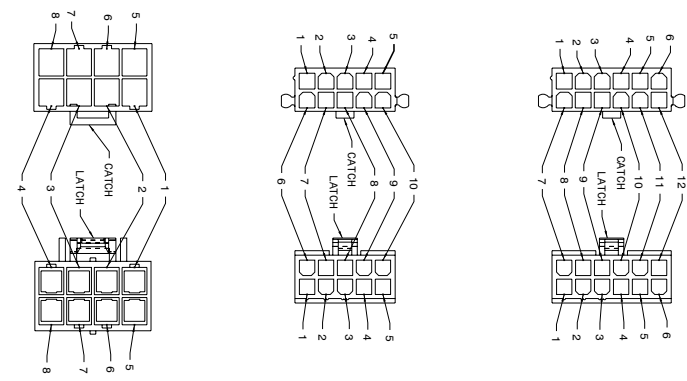
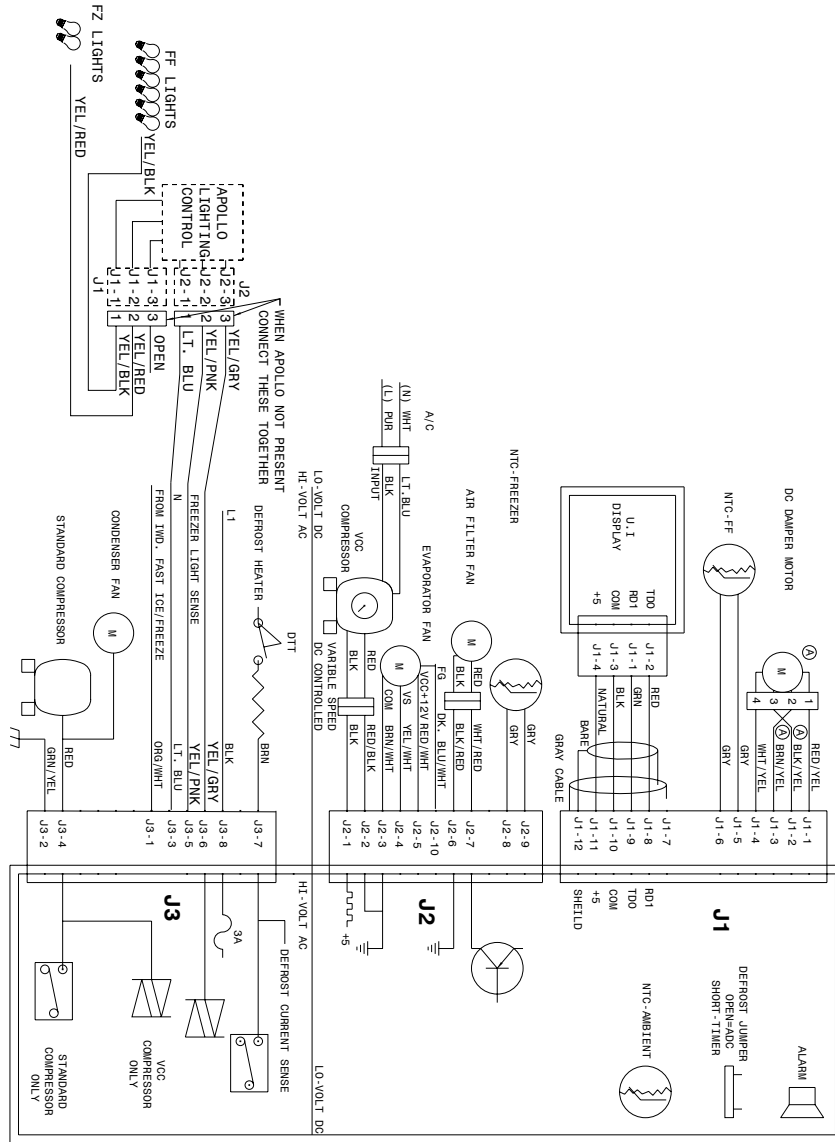
**ICE MAKER**


---

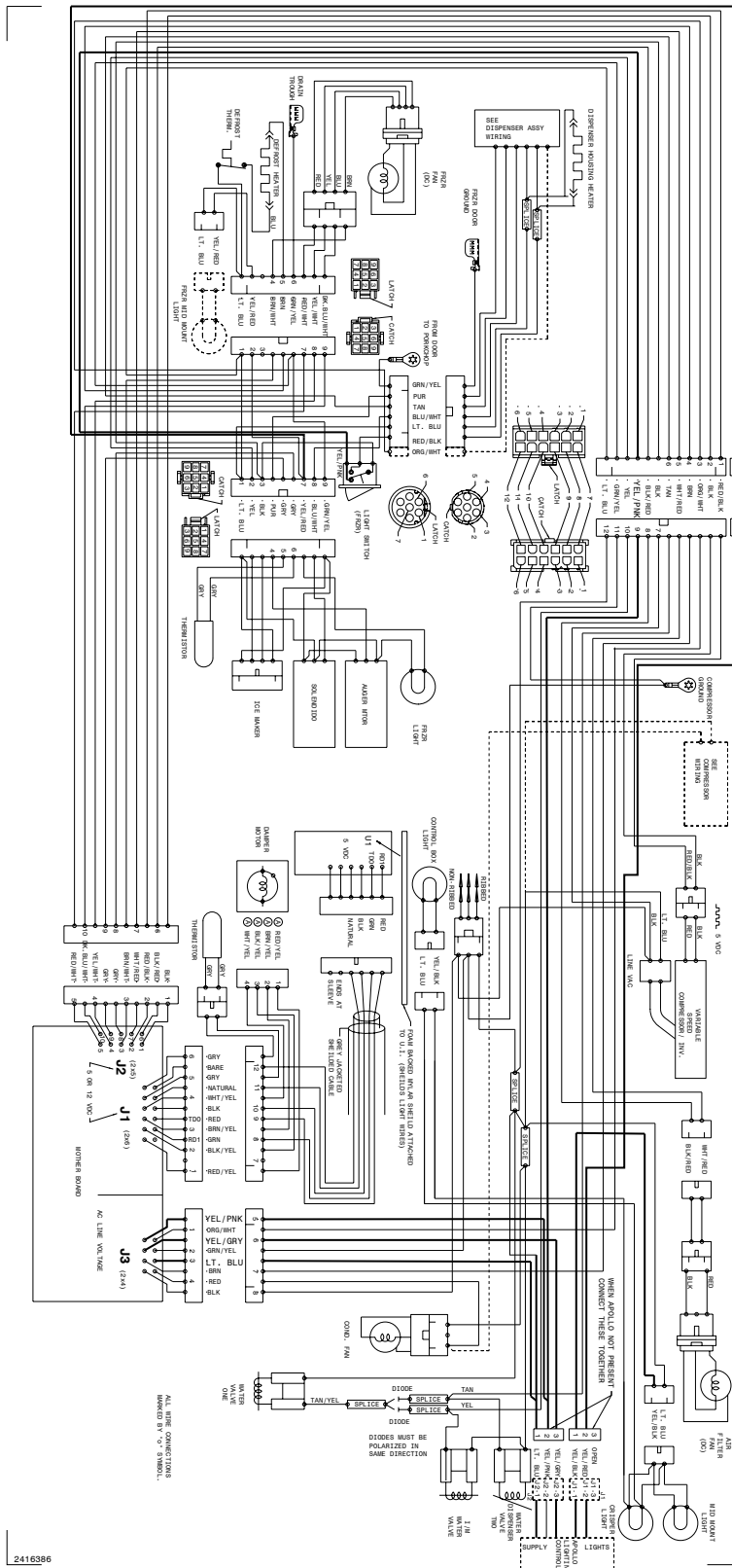
*Model Index:* A GHSC39ETJ (GHSC39ETJB0)  
 B GHSC39ETJ (GHSC39ETJS0)  
 C GHSC39ETJ (GHSC39ETJW0)

| POS. NO | PART NO.   |       | DESCRIPTION                                   |
|---------|------------|-------|---|
| 55*     | 240542901  | A B C | Cap-water valve                               |
| 60      | 5304455651 | A B C | Screw, hex washer head, 8-15A x 0.500         |
| 64      | 5304455846 | A B C | Clamp, .31 ID, steel, water tube              |
| 66      | 5304458374 | A B C | Bracket-ice maker                             |
| 67      | 5304458392 | A B C | Switch-on/off                                 |
| *       | 241583301  | A B C | Deflector-air, ice maker                      |
| *       | 241806601  | A B C | Connector-water, straight                     |
| *       | 5304456660 | A B C | Screw, M 4x6 #2                               |
| *       | 5304456689 | A B C | Washer, nylon                                 |
| * #     | 241709801  | A B C | Ice Maker, radius cube, 115 V, no instl parts |

WIRING SCHEMATIC



WIRING DIAGRAM



2416396