

Frigidaire

Factory Parts Catalog

Product No.	GLFH1779GW2
Series	Gallery
Color	white
Volts	115
Wiring Diagram	297005601
Owner's Guide	297208600
Market	North America
Energy Guide	216910408

 **Electrolux**

Electrolux Major Appliances
North & Latin America
P.O. BOX 212378
AUGUSTA, GA 30917

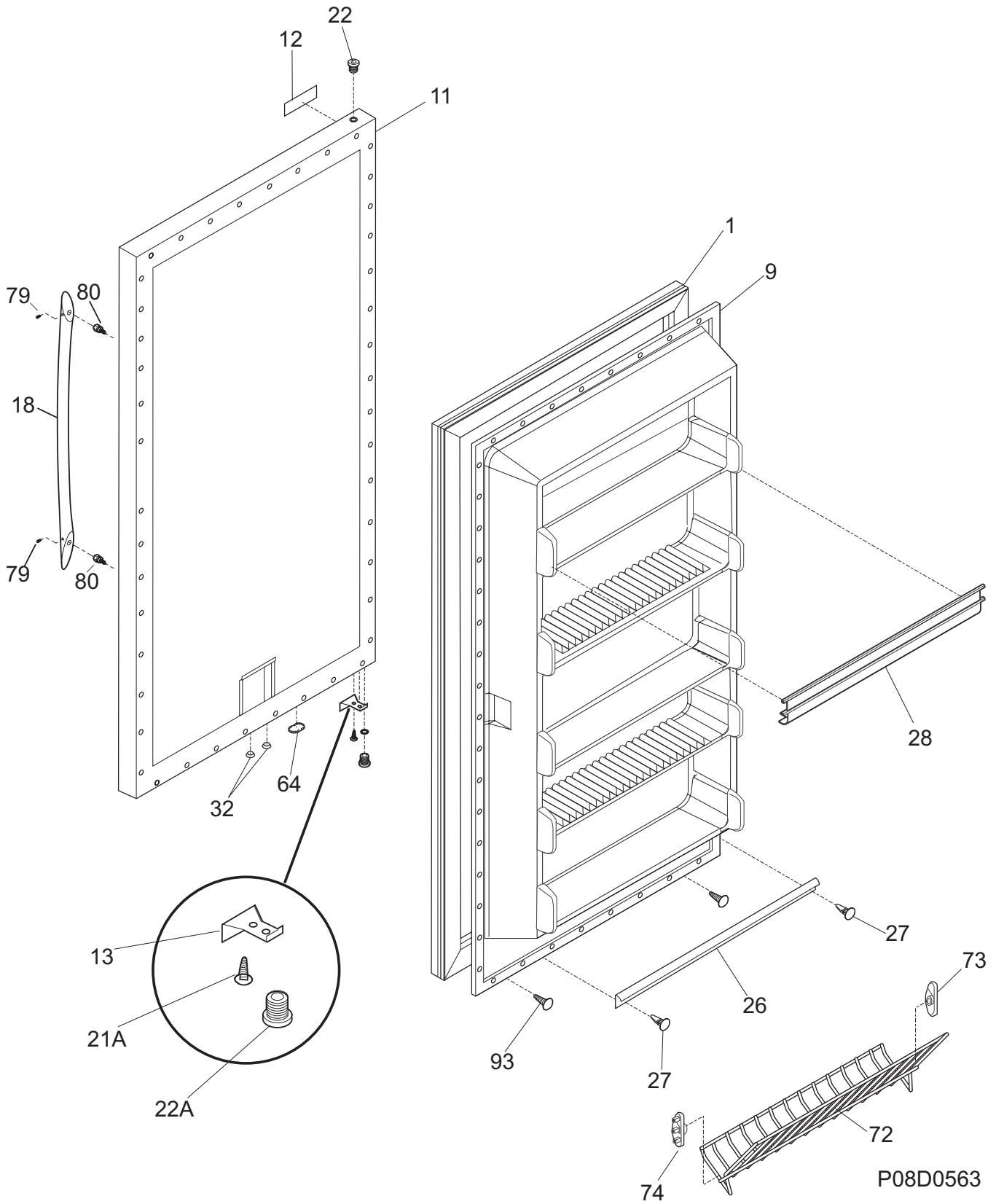
Publication No.
5995526117
08/10/13
(EN/SERVICE/MLR)
365

**UPRIGHT FREEZER
W/ICE MAKER**

Model No.
GLFH1779GW

Copyright © 2008 Electrolux Home Products, Inc.
All rights reserved.

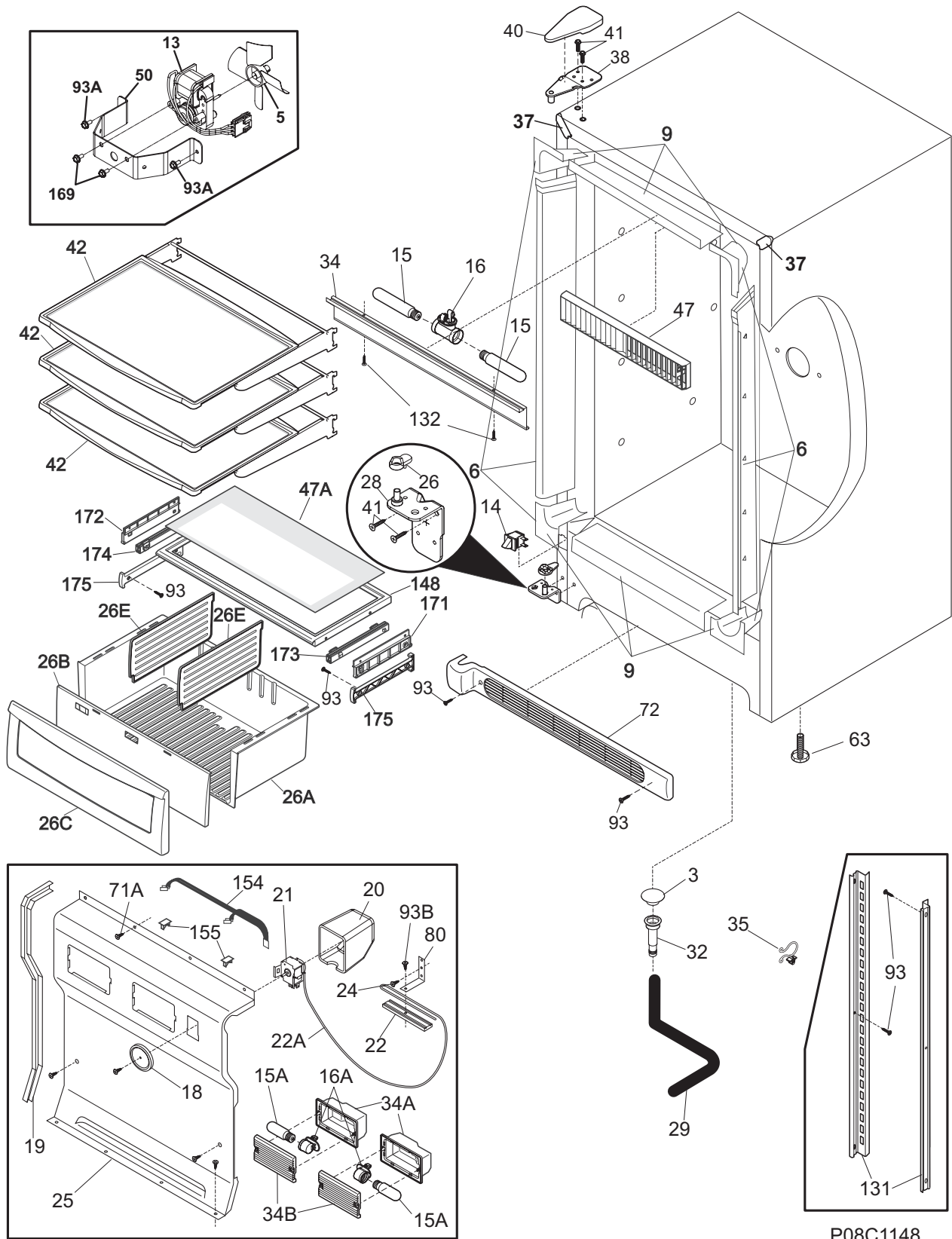
DOOR



DOOR

POS. NO	PART NO.	DESCRIPTION
1	216522309	Gasket-door, white
9	216527813	Panel-inner door
11	297245216	Panel-outer door, white
12	241808701	Nameplate
13	297254101	Door Stop, LH
18	240536809	Handle-door, white
*	240537301	Nut-anchor, door hdl screw
*	297048000	Screw, anchor, #8, white
21A	297197500	Screw, door stop mtg, FH38-16X.750, P Twin
22	216970800	Bearing, hinge w/o'ring, top
22A	297006800	Bearing-hinge, btm, w/o'ring
26	216524200	Gasket, secondary
27	5303212828	Clip, panel mtg
27*	5304406520	Clip, panel mtg kit, (40)
28	216806100	Rack-door, contour, (3)
32	5309950074	Valve, breather
64	216403700	Plug-button, hole filler, door base
72	297118100	Shelf, tilt out, wire
73	216513900	End Cap, shelf, LH, tilt-out
74	216514000	End Cap, shelf, RH, tilt-out
79	240578902	Screw, hex head, 1/4-20 x 5/8
80	218755504	Screw-shoulder, #10 AB, handle mounting
93	5304460605	Screw, ph truss head, 8-18AB x 0.500

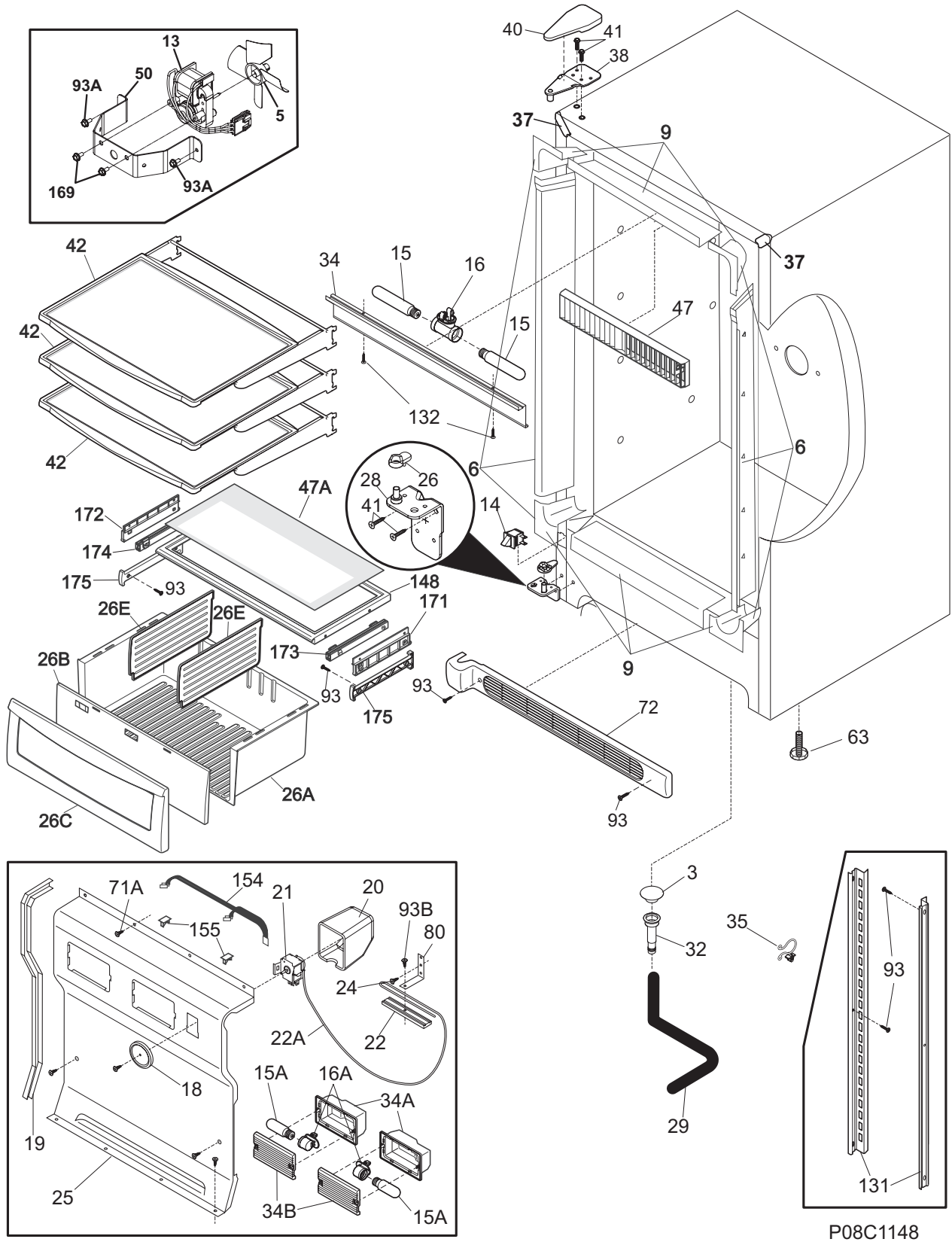
CABINET



CABINET

POS. NO	PART NO.	DESCRIPTION
3	216503100	Screen-drain
5 #	216325600	Fan Blade
6	297200600	Breaker Kit w/corners, no lock slot
9	297200100	Breaker Kit w/corners, 32", top and bottom
13 #	216934100	Motor, fan, 115 V
14	216998000	Switch, light/lamp, ramp
15	216988100	Light Bulb/Lamp, long, blue tint, 40 W, 120V
15A	297048600	Light Bulb/Lamp, short
16	241507803	Socket-light
16*	297109500	Washer, vinyl
16A	216817600	Socket, light/lamp, 25 W
18	216707200	Knob, temp control
19	216204902	Gasket-evap cover
20	216967200	Cover, temp control
21	216715200	Control-temperature
22	216823500	Clamp, cap tube, cold control
22A	5303916855	Tube, sensor sleeve, plastic, clear
24	5304460604	Screw, type A, 10-24 x 3/8
25	297099256	Cover-evaporator
26	297248200	Ramp, door closer, LH
26*	297142600	Screw, blunt, 8-32 x 5/8
26A	297091600	Case-crisper, shallow
26B	297091801	Panel, crisper window
26C	297091704	Panel, crisper front
26E	297099400	Divider-crisper, shallow
28	297240801	Hinge-bottom, stepped pin, LH
29	216313501	Hose-drain
32	5308005500	Drain
34	216816223	Shield-light
34A	297053100	Shield-light
34B	297053200	Lens, light
35	216273000	Clip, drain hose
37	241611301	Trim-cabinet corner, white, (2)
38	297164300	Hinge-upper
40	297164400	Cover-hinge
41	240578902	Screw, hex head, 1/4-20 x 5/8
42	297108900	Shelf-sliding, w/brackets
42*	297107000	Bracket-shelf
47	297053300	Plate, baffle, snap fit
47A	297102703	Insert-pan cover, glass
50	216394050	Bracket, fan motor mount
63	216396900	Screw, leveling foot, plastic, adjustable
71A	297146800	Screw, 8-18AB x 0.470
72	297036900	Grille/Kickplate, 32", white
80	06594601	Bracket, control
93	5304460605	Screw, ph truss head, 8-18AB x 0.500
93A	216629601	Screw, hex washer head, 10-16 x 0.500, tapping
93B	216036601	Screw, RWHD, 8-32A x 0.500, GX-CA
131	297108300	Channel-shelf mtg, side, (2)
132	5304460601	Screw, 6-20AB x 3/8
148	297092501	Frame-crisper cover, shallow, lower

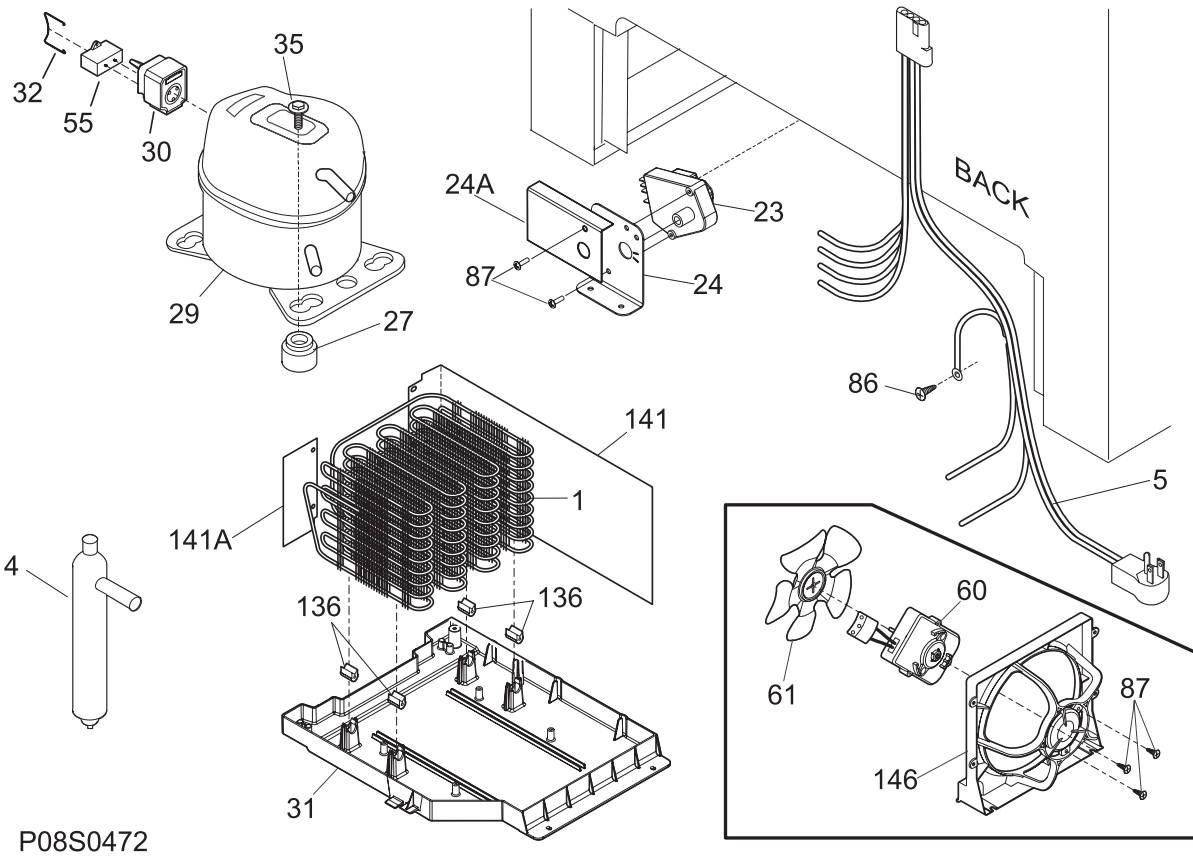
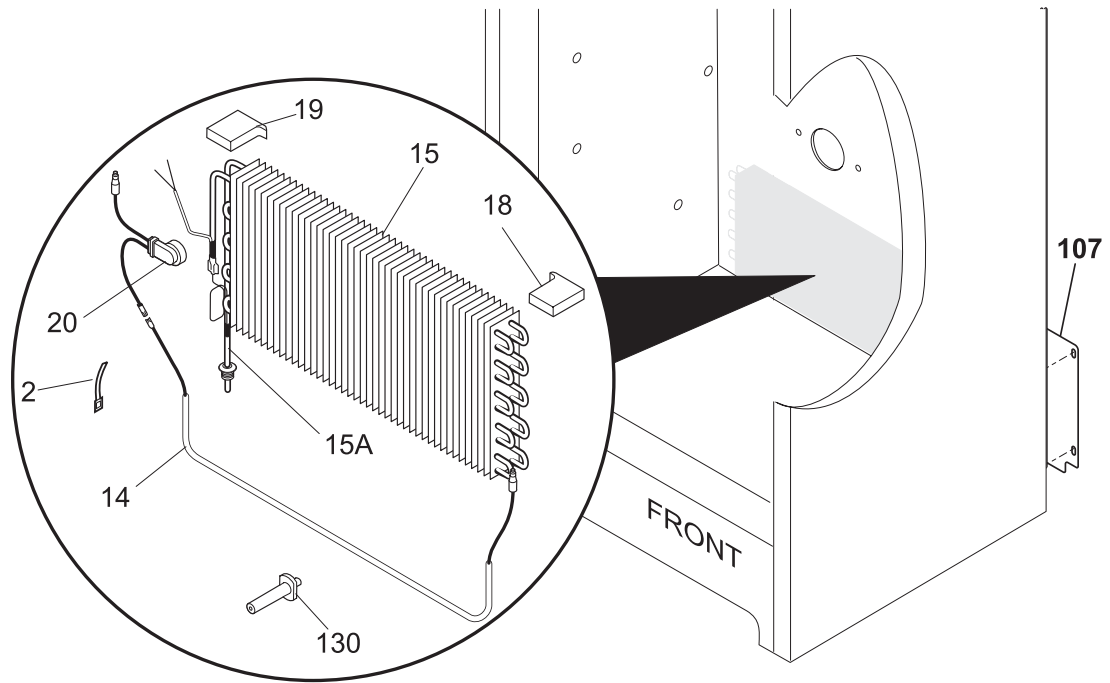
CABINET



CABINET

POS. NO	PART NO.	DESCRIPTION
154	297053000	Wire, jumper
155	5303313703	Clip, (2)
169	216912401	Screw, hex washer head, 8-32 x 0.500, bracket fan mtr, (2)
171	297092700	Bracket, crisper cover, RH
172	297092701	Bracket, crisper cover, LH
173	297107600	Slide, crisper, RH
174	297107601	Slide, crisper, LH
175	297099500	Support-crisper
*	216910408	Energy Guide
*	297001704	Insulation, 24", drain tube
*	297013100	Instructions, water line
*	216901700	Installation Instructions, icemaker

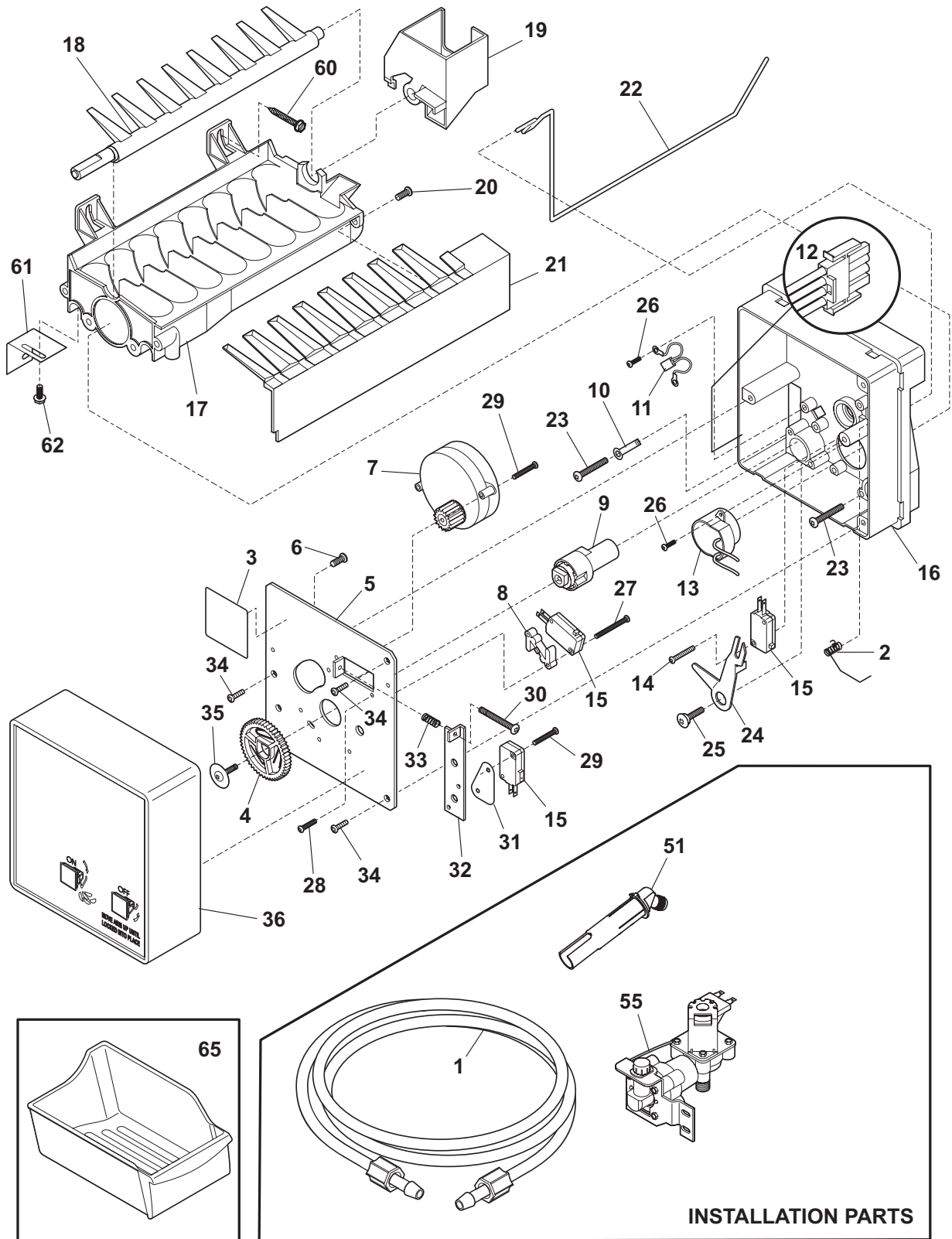
SYSTEM



SYSTEM

POS. NO	PART NO.	DESCRIPTION
1	297152201	Condenser
2	5308000110	Strap-evap/heater, aluminum, (2)
4	216987500	Drier-filter
5 #	297171700	Harness-main
5*	240555002	Screw-#8-32 X 3/8
14	216730700	Heater-defrost
15 #	216997300	Evaporator
15A	297238700	Heat Exchanger
18	297078700	Insulator-evap, styrofoam
19	297078800	Insulator-evap, styrofoam
20	216872200	Thermostat, defrost
23 #	216744500	Timer-defrost
24	216968501	Bracket-timer
24A	297207900	Guard, timer
27	5308002681	Grommet, compressor
29 #	297237400	Compressor, w/o electricals
30	297237800	Controller, compressor
31	297165800	Pan-drain
32	297030500	Clip, controller
35	297177200	Bolt, compressor
55 #	218909912	Capacitor, run, 220 VAC, 12 microfarad
60	241584301	Motor-condenser fan
61	241639501	Blade-condenser fan
86	216036601	Screw, RWHD, 8-32A x 0.500, GX-CA
87	5304463290	Screw, hi-lo blunt, #8-18X1/2
107	297165400	Shield, compressor, Compartment
*	5304460605	Screw, ph truss head, 8-18AB x 0.500
130	297244700	Support, evaporator mtg
136	240405201	Grommet, rubber, black, cond tube/wire
141	297164200	Divider, air flow
141A	297194700	Divider, small, air flow
146	297164000	Shroud-fan orifice
146*	216337701	Screw, HWH, 10-24 x 0.500, Swage
*	216502500	Sleeve, suction line
*	297048400	Clip
*	297102800	Spacer-tube
* #	297169900	Cord-power, flat

ICE MAKER



P08ICE03

ICE MAKER

POS. NO	PART NO.	DESCRIPTION
1	297044900	Tube-water inlet, inlet valve, to ice maker
1*	240561701	Seal-water inlet, inlet valve, to ice maker
2	5304456650	Spring-shutoff arm, ice maker
3	5304456657	Nameplate
4	5304456658	Gear
5	5304456659	Plate-mounting
6	5304456691	Screw, M 3x20 #3, valve plate
7 #	5304445222	Motor-ice maker Svo
7*	5304445223	Spring Beam
8	5304456661	Spacer-hold switch
9	5304456662	Cam
10	5304456689	Washer, nylon
11 #	5304456663	Thermal Cutoff, ice maker, complete assy
12	5304456664	Harness-wiring
13	5304456665	Thermostat, ice maker
14	5304456676	Screw, plask, 4x14x3/4
15 #	5304456667	Switch-micro, (3)
16	5304456668	Support
17	5304456669	Mold-ice maker, w/therm cut off
18	5304456670	Ejector-ice
18*	240352602	Wiring Harness, internal, wiring harness
19	5304456671	Bearing & Inlet, fill cup
20	5304456677	Screw, 8-32 x 3/8
21	5304456672	Ice Stripper
22	5304456673	Shut-off Arm
23	5304456674	Screw, M 4x25 #2, mold-to-support, (2)
24	5304456675	Lever Arm
25	5304456676	Screw, M 4x12.8 #2, lever arm/sprt
26	5304456680	Screw, plask, 4-14 x 3/8
27	5304456677	Screw, M 3x25 #3, hold switch mtg, (2)
28	5304456660	Screw, M 4x6 #2
29	5304456678	Screw, M 3x12 #3, (2)
30	5304456679	Screw-timing adj, M 4x25 #3
31	5304456680	Insulator
32	5304456681	Plate-valve switch
33	5304456682	Spring, timing adjust
34	5304456683	Screw, M 4x12 #2, (3)
35	5304456684	Screw
36	5304456685	Cover-ice maker
36*	5304456690	Label, ID plate
51	216887500	Tube, water, ice maker
55 #	240519601	Valve-water, single solenoid, 60 Hz, 105/120 V
60	5304455852	Screw, hex washer head, 8-15A x 1.000
61	5304456686	Bracket-leveling, ice maker
62	5304456687	Screw-IM brkt mtg, pan hd phillips, 8-32T x 0.375
65	240385201	Container, ice bin
*	218362501	Screw, hex washer head, 8-18AB x 1.250, spacer, (2)
*	241642503	Ice Maker, radius cube, 115 V, Svce
*	241642601	Harness-wiring Svo
*	241806601	Connector-water, straight
*	5304456666	Screw, M 3x20 #2, (6)
*	5304456688	Terminal
*	5304456692	Washer
*	5304456693	Nut, M 3.5
*	5304456737	Washer
*		IM501 Ice Maker Kit