

Frigidaire

Factory Parts Catalog

Product No.	GLFU1767FW2
Series	134A
Color	white
Volts	115
Wiring Diagram	297079600
Owner's Guide	297079200
Market	North America
Energy Guide	216795410

 **Electrolux**

Electrolux Major Appliances
North & Latin America
P.O. BOX 212378
AUGUSTA, GA 30917

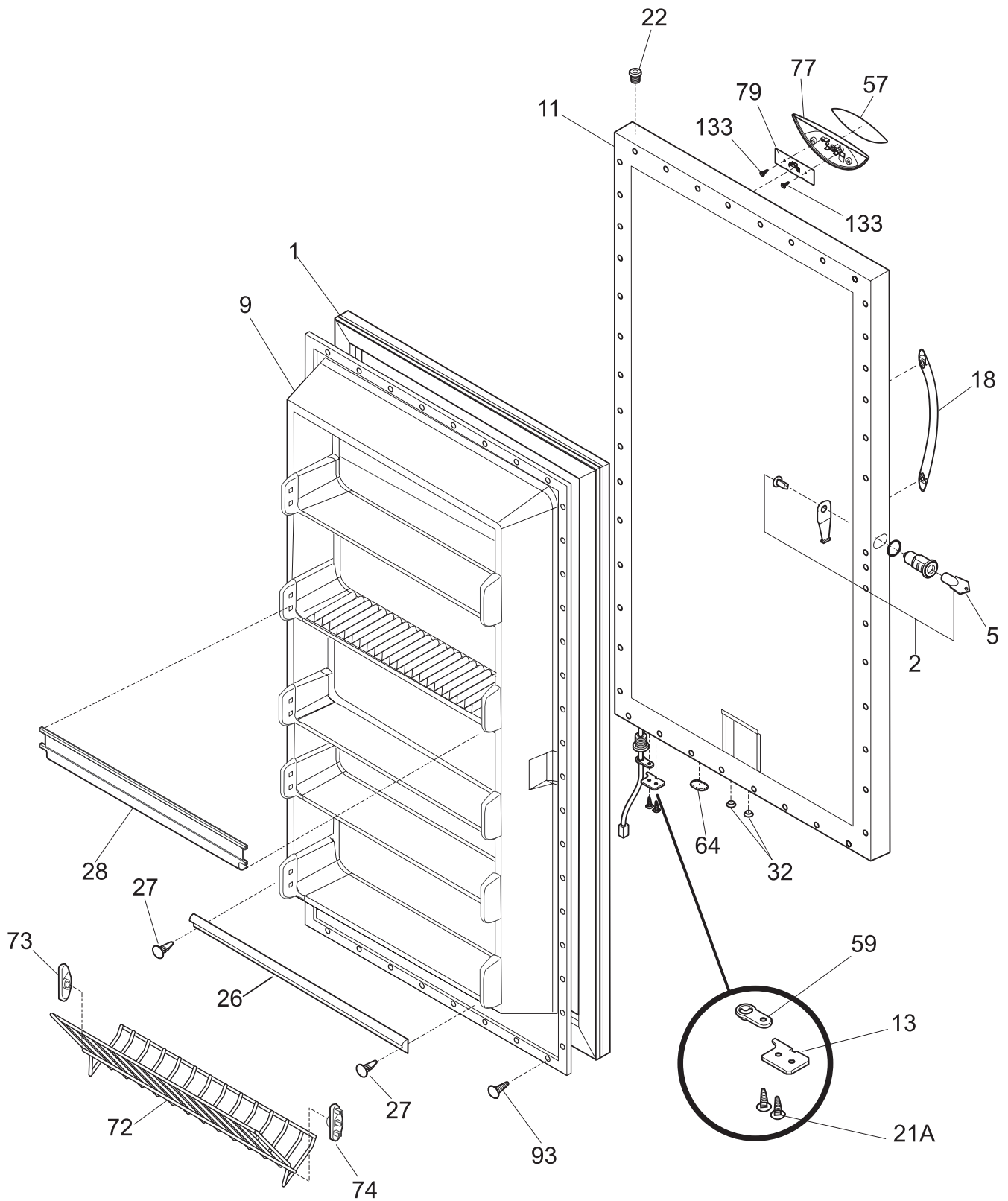
Publication No.
5995461992
06/02/24
(EN/SERVICE/MLR)
365

UPRIGHT FREEZER

Model No.
GLFU1767FW

Copyright © 2006 Electrolux Home Products, Inc.
All rights reserved.

DOOR

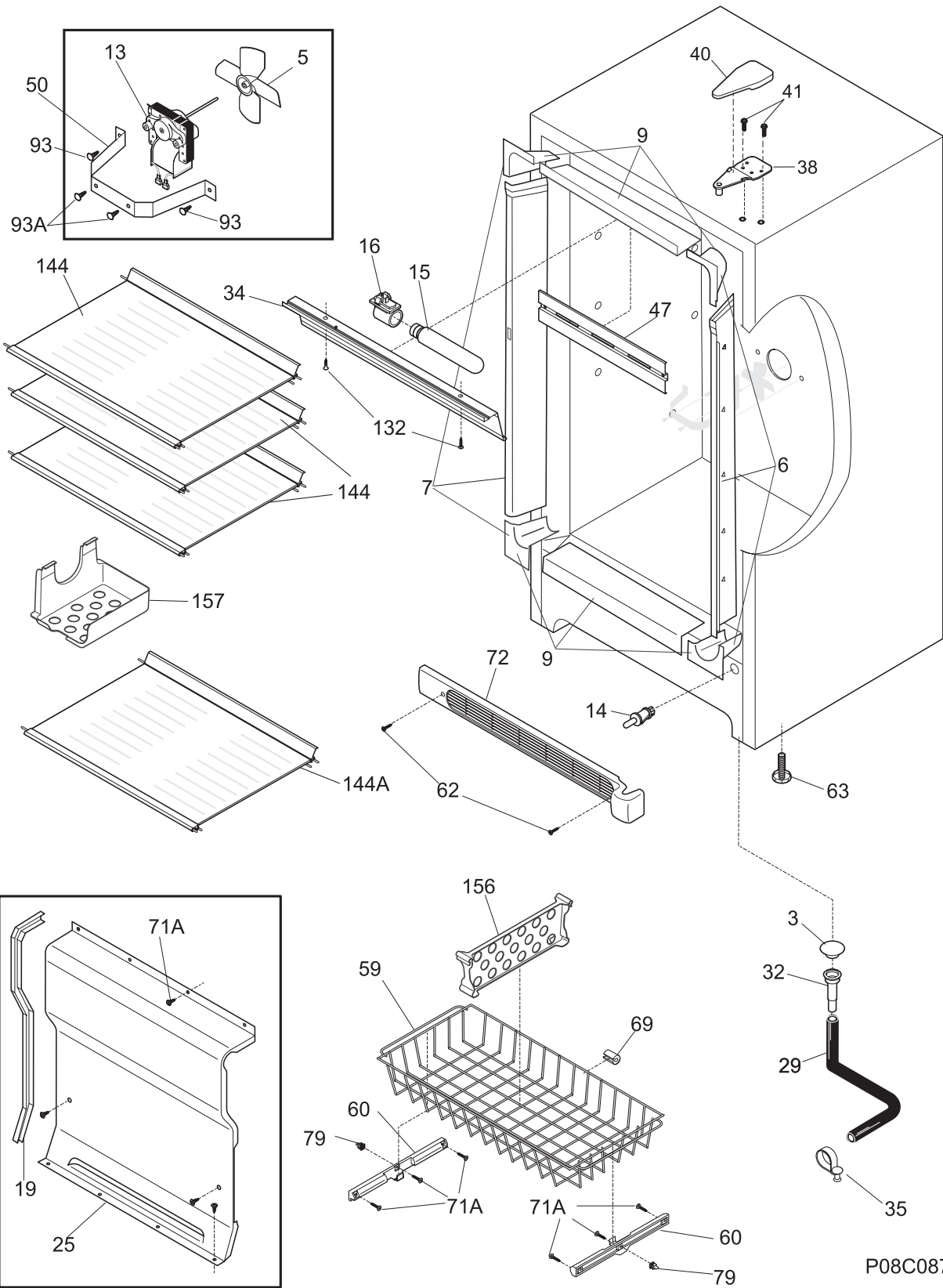


P08D0473

DOOR

POS. NO	PART NO.	DESCRIPTION
1	216522309	Gasket-door, white
2	5303925107	Lock Assy
5 #	216702900	Key, lock
9	216527816	Panel-inner door, frzr
11	216526565	Panel-outer door, white
13	5303271076	Door Stop
18	216921200	Handle, white
*	216932500	Nut, flange locking, handle
*	297048000	Screw, anchor, #8, white
21A	5303271077	Screw, flat head, #1/4-20, door stop/hng
22	216970800	Bearing, hinge w/o'ring, top
26	216524200	Gasket, secondary
27	5303212828	Clip, panel mtg
27*	5304406520	Clip, panel mtg kit, (40)
28	216806100	Rack-door, contour, (3)
32	5309950074	Valve, breather, door base
57	297072601	Overlay
59	216974500	Bearing, door closer
64	216403700	Plug-button, hole filler, door base
72	216514100	Shelf, tilt out, wire, (2)
73	216513900	End Cap, shelf, LH, (2), tilt-out
74	216514000	End Cap, shelf, RH, (2), tilt-out
77	297072500	Bezel
79 #	216944300	Control Board, digital
93	5303161215	Screw, ph truss head, 8-18AB x 0.500
133	216905300	Screw, control board, #3-24 x .25, (3)

CABINET

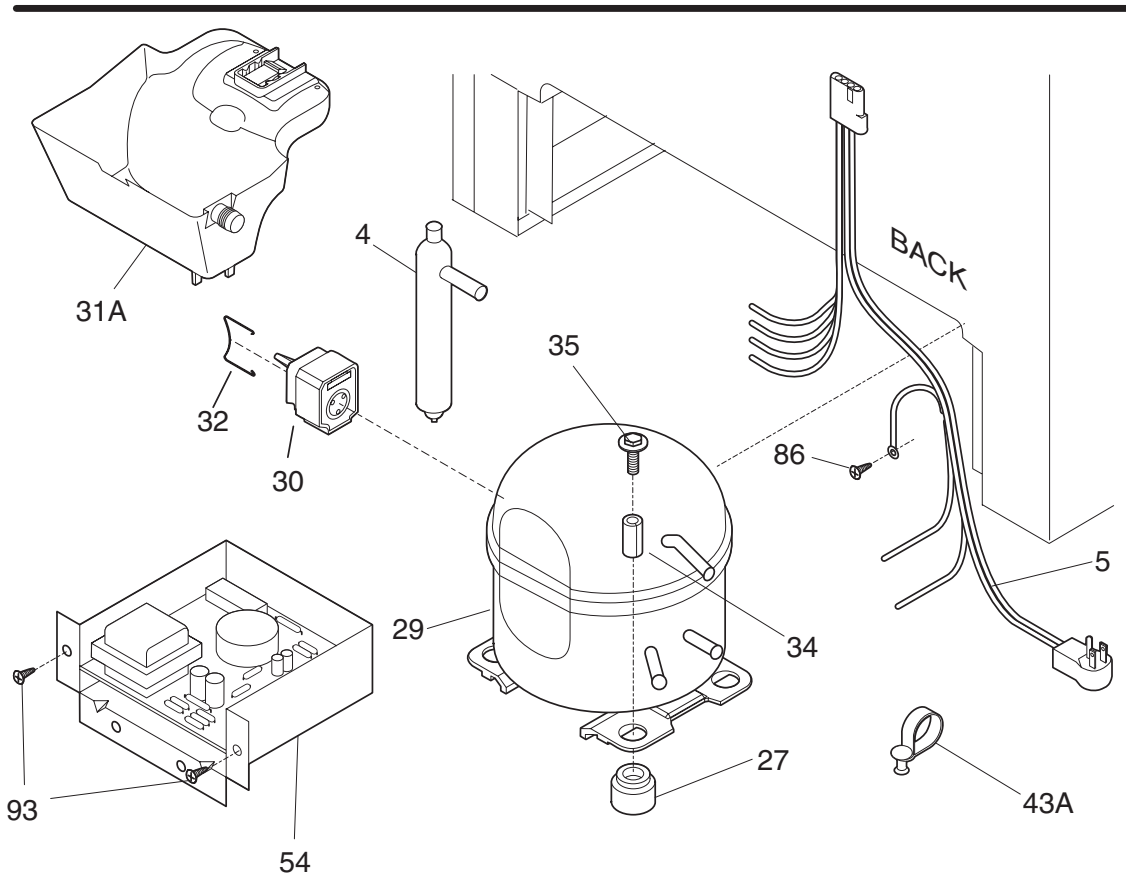
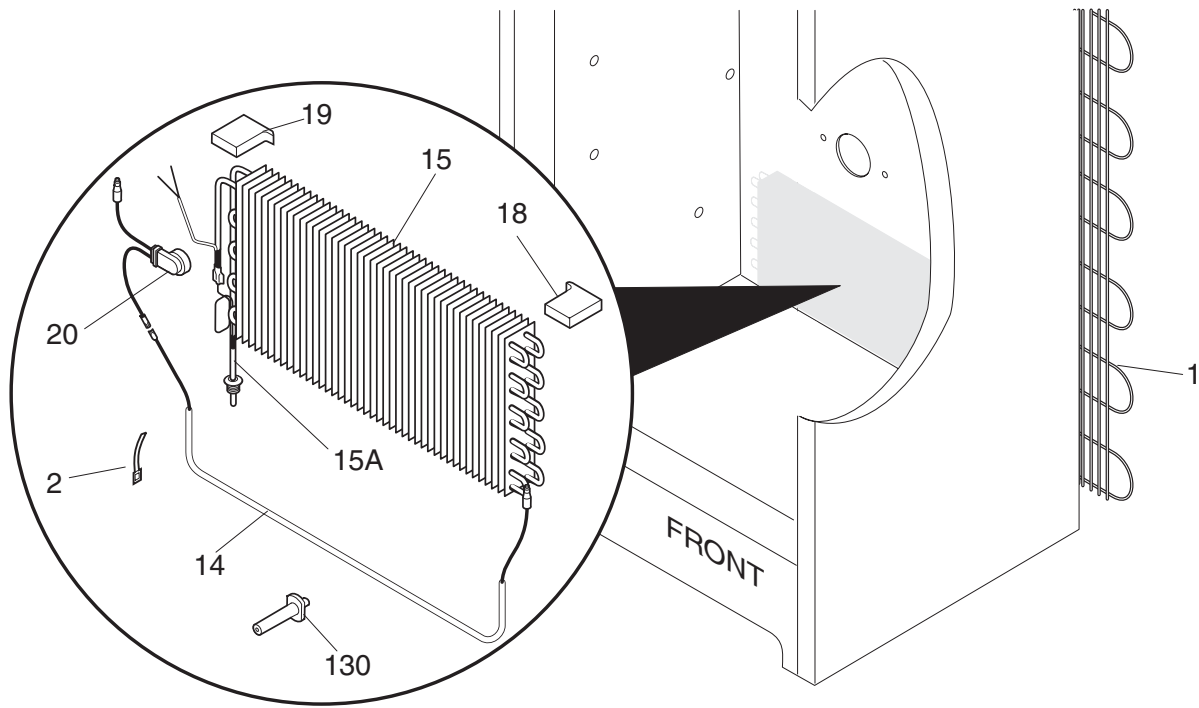


P08C0878

CABINET

POS. NO	PART NO.	DESCRIPTION
3	216503100	Screen-drain
5 #	216325600	Fan Blade
6	216604200	Breaker Kit w/corners
7	216603700	Breaker Kit w/corners, lock catch
9	216603300	Breaker Kit w/corners, 32", top or bottom
13	216934100	Motor, fan, 115 V
*	216912400	Screw, hex washer head, #8-32 x .500, bracket fan mtr, (2)
14	216472300	Switch-light plunger
15	216988100	Light Bulb/Lamp, long, blue tint, 40 W, 120V, (2)
16	216817601	Socket, light/lamp, 25 W
19	216204900	Gasket, evap cover
25	216820201	Cover-evaporator
29	216313501	Hose-drain
32	5308005500	Drain
34	216816221	Shield-light
35	216629700	Clip
38	216939100	Hinge-upper
40	216809000	Cover-hinge
41	216936800	Screw-hinge, 12-24x.700 HWH
47	216661600	Plate, baffle, snap fit
50	216394000	Bracket, fan motor mount
59	297093100	Basket, (2)
60	297013500	Slide, basket, (4)
62	131420300	Screw, cr truss head, 8-18AB x 0.750
63	216396900	Screw, leveling foot, plastic, adjustable
69	5305878546	Bumper-basket, (4)
71A	5304416289	Screw, ph truss head, 8-18AB x 0.47, EVAP PANEL
72	297036900	Grille/Kickplate, 32", white
79	3017666	Nut-insert
93	5303161215	Screw, ph truss head, 8-18AB x 0.500
93A	216629600	Screw, hex washer head, 10-16 x 0.500, tapping
132	5303283898	Screw, 6-20AB x 3/8
144	216922300	Shelf-assy, fixed, glass, complete
144A	216922301	Shelf-assy, fixed, glass, complete
*	216502400	Grommet-shelf mtg
156	297071800	Divider, basket, (2)
157	297071900	Shelf, small items
*	216795410	Energy Guide
*	5303305324	Paint, touch-up, white
*	297001704	Insulation, 24", drain tube
*	297088700	Guide-Electronic control

SYSTEM



P08S0397

SYSTEM

POS. NO	PART NO.	DESCRIPTION
1 #	5300083897	Condenser
2	5308000110	Strap-evap/heater, aluminum, (2)
4 #	216938600	Drier-filter
5 #	297025900	Harness-main
14 #	216730700	Heater-defrost
15 #	216997300	Evaporator
15A#	216783200	Heat Exchanger, suct/cap tube
18	216727600	Insulator-evap, styrofoam
19	216727700	Insulator-evap, styrofoam
20	216872200	Thermostat, defrost
27	5308002681	Grommet, compressor
29 #	297048100	Compressor, kit w/grommets, & welded clip
30	297051000	Controller, compressor
31A	216994100	Pan-drain
32	297051100	Clamp, elec cont mtg, compressor
34	5306594529	Sleeve-compressor
35	5303272328	Screw, lnd hex sems, 1/4-28 unfx, compressor
43A	216629700	Clip
54 #	216979700	Electronics, high voltage
86	5303161215	Screw, ph truss head, 8-18AB x 0.500
93	216036600	Screw, ph washer head, 8-32CA x 0.500, thread forming
130	216486800	Support, evaporator mtg
*	216502500	Sleeve, suction line
*	297014500	Plug-suction line
*	5303298960	Spacer-tube, 0.237" ID