

Frigidaire

Factory Parts Catalog

Product No.	GLHS69EJB0	GLHS69EJW0	GLHS69EJPB0	GLHS69EJPW0
Series	R134a	R134a	R134a	R134a
Color	black	white	black (smooth)	white (smooth)
Volts	115	115	115	115
Wiring Diagram	241725001	241725001	241725001	241725001
Owner's Guide	241856000	241856000	241856000	241856000
Market	North America	North America	North America	North America
Energy Guide	241868005	241868005	241868006	241868006
Service Data Sheet	240389633	240389633	240389633	240389633

 **Electrolux**

Electrolux Major Appliances
 North & Latin America
 P.O. BOX 212378
 AUGUSTA, GA 30917

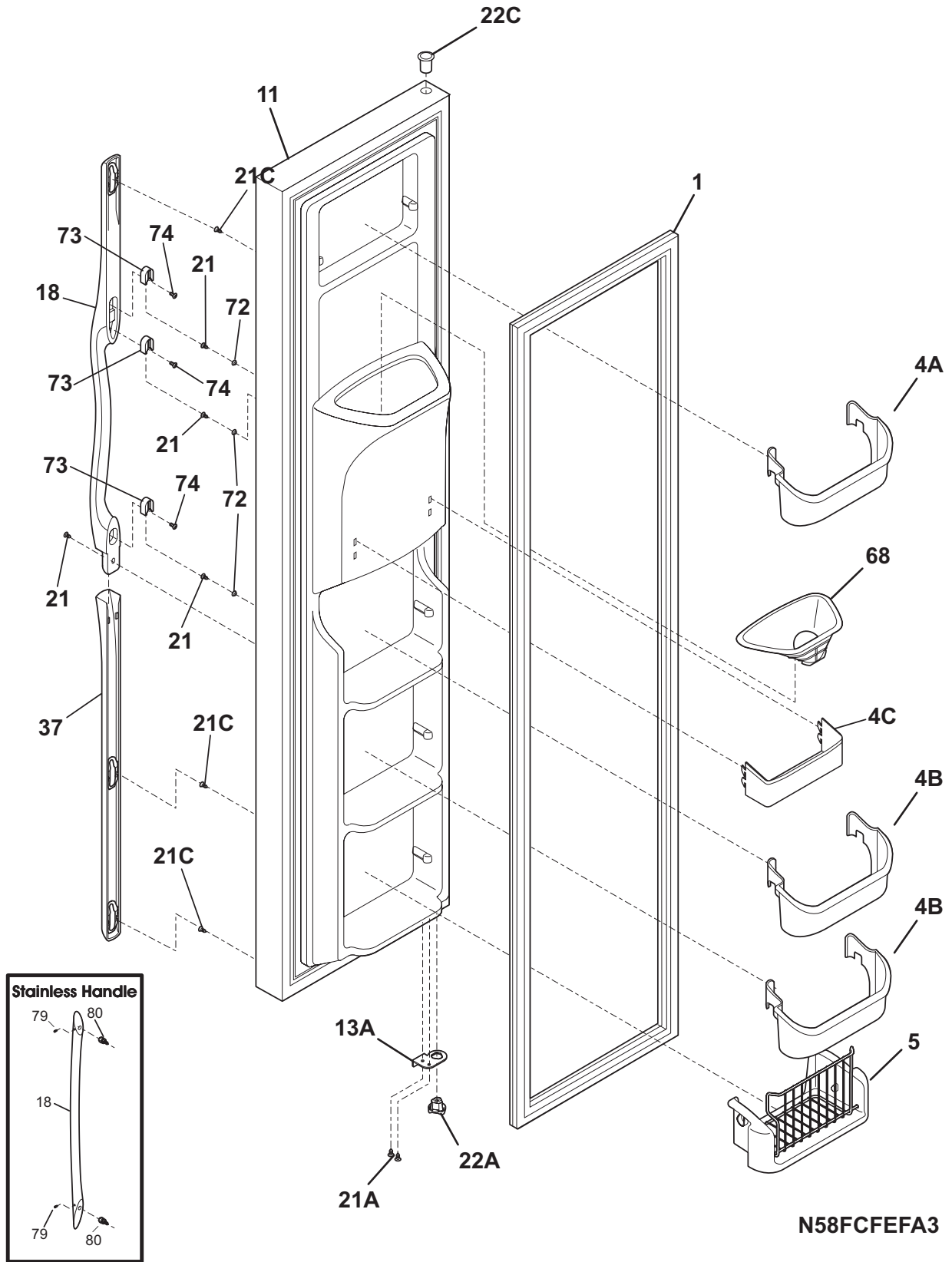
Publication No.
5995505897
 08/01/30
 (EN/SERVICE/DCS)
 137

**SIDE-BY-SIDE
 REFRIGERATOR**

**Model No.
 GLHS69EJ**

Copyright © 2008 Electrolux Home Products, Inc.
 All rights reserved.

FREEZER DOOR



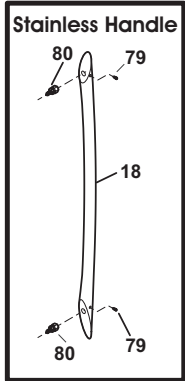
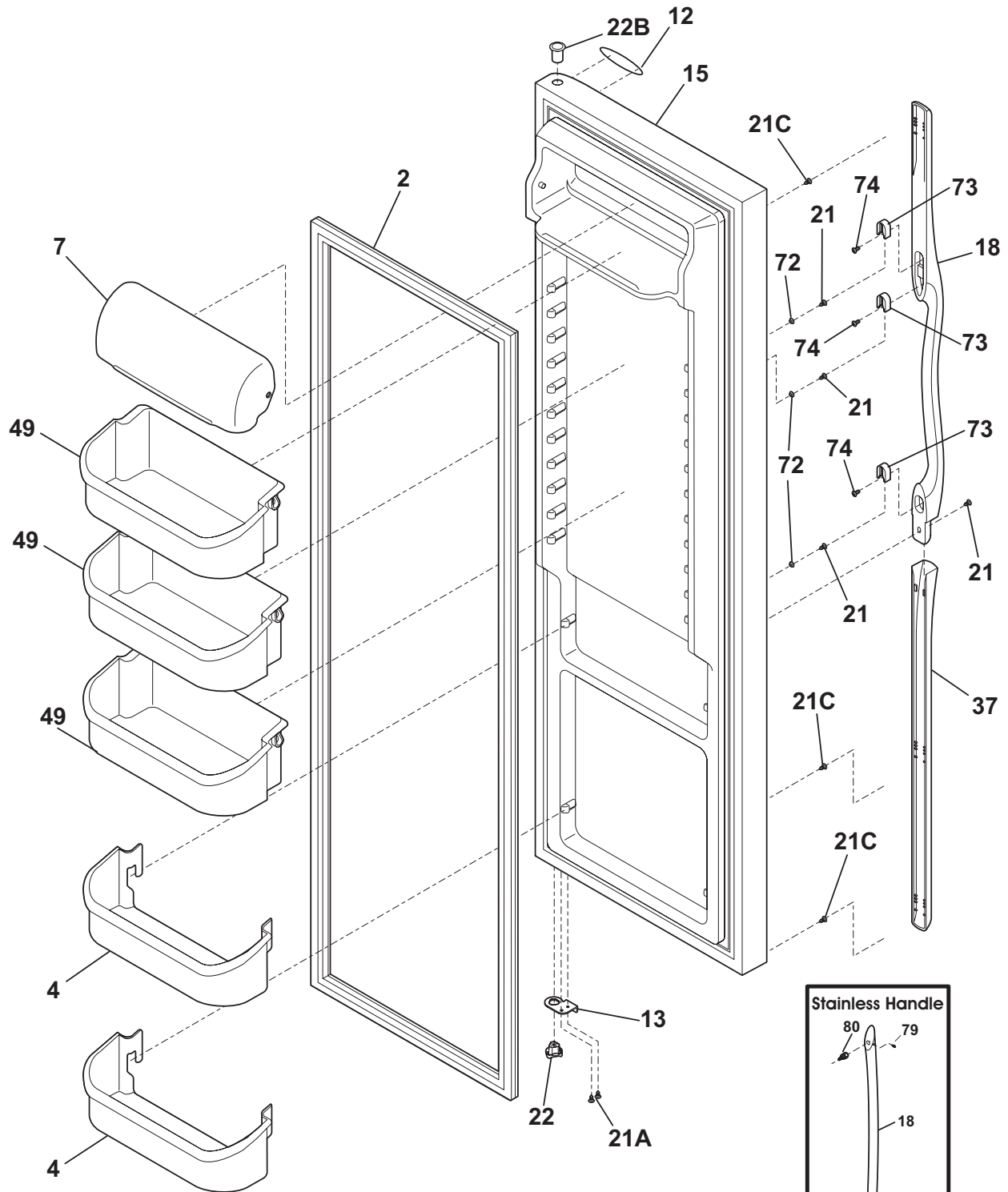
N58FCFEFA3

FREEZER DOOR

Model Index: **A** GLHS69EJ (GLHS69EJB0)
 B GLHS69EJ (GLHS69EJW0)
 C GLHS69EJ (GLHS69EJPB0)
 D GLHS69EJ (GLHS69EJPW0)

POS. NO	PART NO.		DESCRIPTION
1 #	241786006	A - C -	Gasket-frzr door, black, magnetic
1 #	241786002	- B - D	Gasket-frzr door, white, magnetic
4A	240334201	A B C D	Bin-door, frzr-upper
4B	240351601	A B C D	Bin-door
4C	240351701	A B C D	Bin-door, frzr-dispenser
5	241545005	A B C D	Bin-tilt out, tilt-out
11	241668149	A - - -	Door-frzr, black, complete assy
11	241668101	- B - -	Door-frzr, white, complete assy
11	241526780	- - C -	Door, frzr, black, complete assy
11	241526779	- - - D	Door, frzr, white, complete assy
13A	240581906	A - C -	Door Stop, black, frzr
13A	240581902	- B - D	Door Stop, white, frzr
18	241711705	A - - -	Handle-door, black
18	241711704	- B - -	Handle-door, white, frzr
18	240536810	- - C -	Handle-door, black
18	240536809	- - - D	Handle-door, white
21	218781101	A B C D	Screw, pan head, 8-18 x 0.625
21A	240598402	A B C D	Screw, 10-32 x 1/2
21C	240521304	A B - -	Screw, #8-18 x 3/4
22A	240328204	A - C -	Bearing-hinge(frz), black, closer
22A	240328202	- B - D	Bearing-hinge(frz), closer
22C	240328404	A - C -	Bearing-hinge, black, upper
22C	240328402	- B - D	Bearing-hinge, natural, upper
37	241711602	A - - -	Trim-handle, 30.13", black, lower
37	241711601	- B - -	Trim-handle, 30.13", white, lower
68	241525101	A B C D	Chute-ice
72	240421701	A B - -	Button-handle mtg, dovetail
73	218396700	A B - -	Block-handle mtg, dovetail
74	215503204	A B - -	Screw, cr pan hd, 10-16
79	218755402	- - C D	Screw-set, 10-32 x 0.375
80	218755504	- - C D	Screw-shoulder, #10 AB, handle mounting
*	240552102	A B C D	Harness-wiring, door
*	240451503	A B C D	Screw, ind hex wshr hd, 8-32 x 0.375, trilobe
*	241806601	A B C D	Connector-water, straight
*	5303918256	A B C D	Dispenser heater kit

REFRIGERATOR DOOR



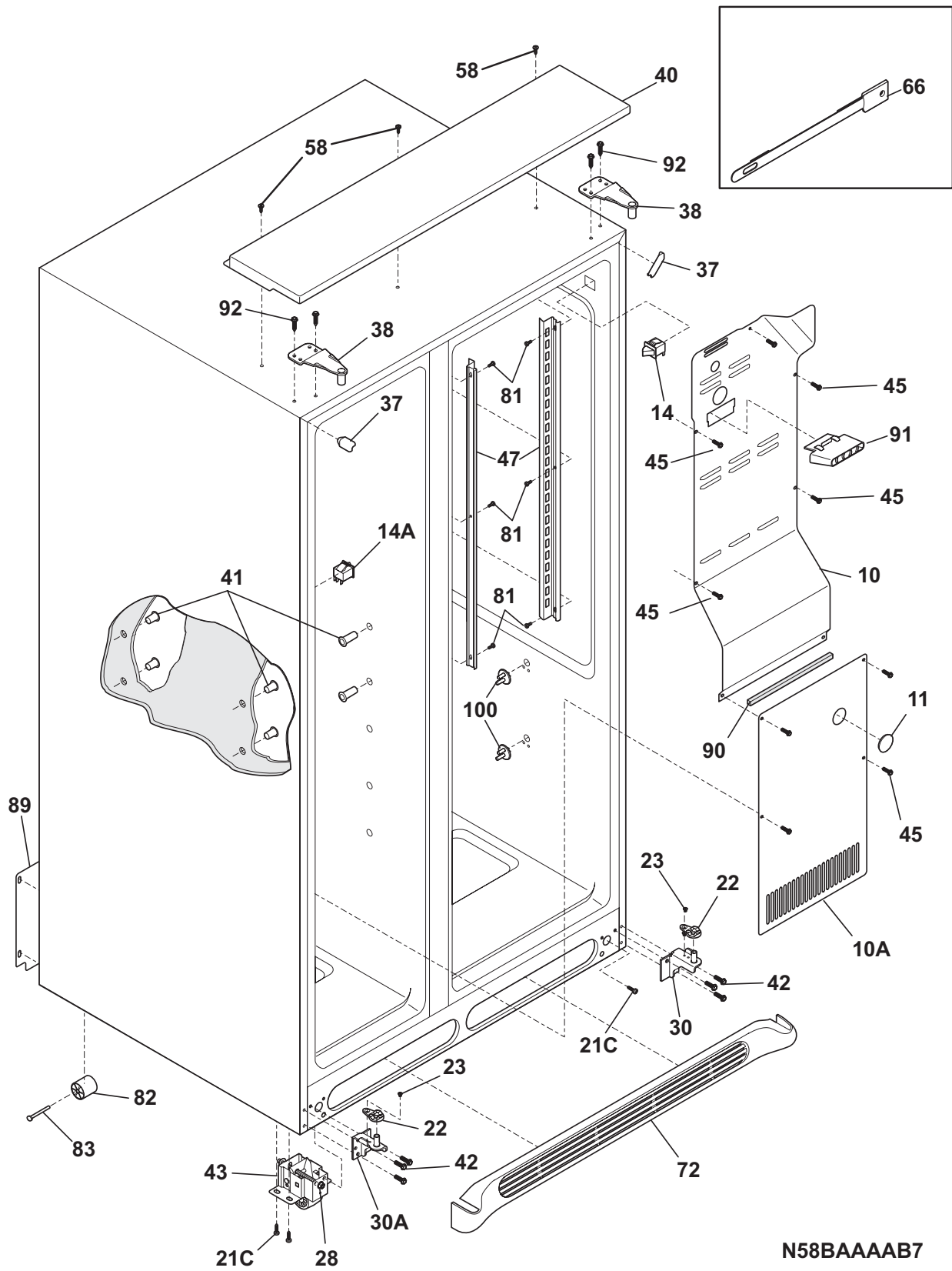
N58RCFAAA2

REFRIGERATOR DOOR

Model Index: A GLHS69EJ (GLHS69EJB0)
 B GLHS69EJ (GLHS69EJW0)
 C GLHS69EJ (GLHS69EJPB0)
 D GLHS69EJ (GLHS69EJPW0)

POS. NO	PART NO.		DESCRIPTION
2	241786005	A - C -	Gasket-refr door, black, magnetic
2	241786001	- B - D	Gasket-refr door, white, magnetic
4	240323002	A B C D	Bin-door, pseudo, bottom
7	240326203	A B C D	Door-dairy
12	241808601	A B C D	Label-nameplate
13	240581905	A - C -	Door Stop, black, ref
13	240581901	- B - D	Door Stop, white, refr
15	240451908	A - - -	Door-refr, black, complete assy
15	240451900	- B - -	Door-refr, white, complete assy
15	241534574	- - C -	Door-refr, black, complete assy
15	241534573	- - - D	Door-refr, white, complete assy
18	241711702	A - - -	Handle-door, black
18	241711701	- B - -	Handle-door, white, refr
18	240536810	- - C -	Handle-door, black
18	240536809	- - - D	Handle-door, white
21	218781101	A B C D	Screw, pan head, 8-18 x 0.625
21A	240598402	A B C D	Screw, 10-32 x 1/2
21C	240521304	A B - -	Screw, #8-18 x 3/4
22	240328203	A - C -	Bearing-hinge, black, closer
22	240328201	- B - D	Bearing-hinge(ref), closer
22B	240328404	A - C -	Bearing-hinge, black, upper
22B	240328402	- B - D	Bearing-hinge, natural, upper
37	241711602	A - - -	Trim-handle, 30.13", black, lower
37	241711601	- B - -	Trim-handle, 30.13", white, lower
49	241808205	A B C D	Bin-door, gallon
49*	241780401	A B C D	Liner, bin
72	240421701	A B - -	Button-handle mtg, dovetail
73	218396700	A B - -	Block-handle mtg, dovetail
74	215503204	A B - -	Screw, cr pan hd, 10-16
79	218755402	- - C D	Screw-set, 10-32 x 0.375
80	218755504	- - C D	Screw-shoulder, #10 AB, handle mounting

CABINET

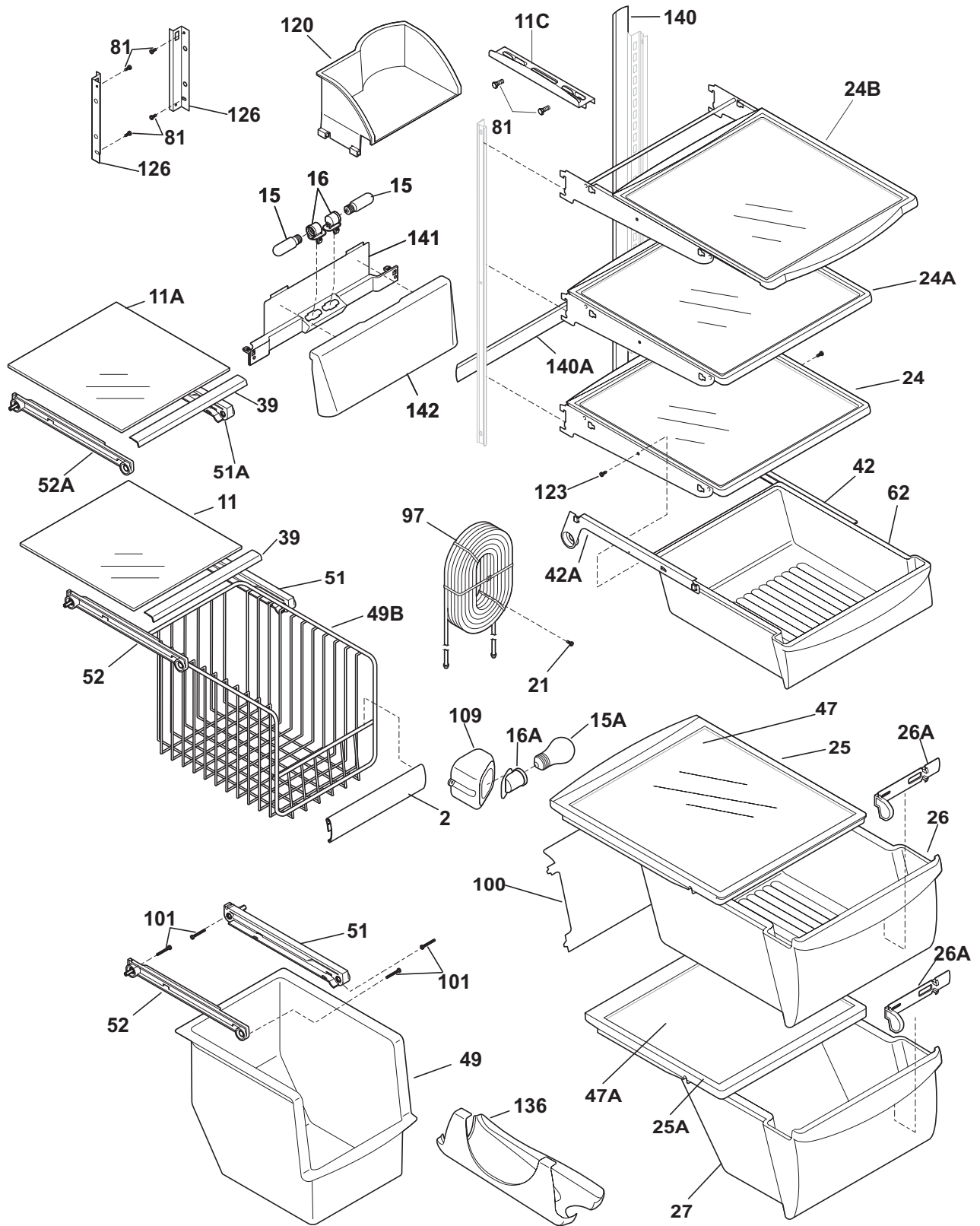


CABINET

Model Index: A GLHS69EJ (GLHS69EJB0)
 B GLHS69EJ (GLHS69EJW0)
 C GLHS69EJ (GLHS69EJPB0)
 D GLHS69EJ (GLHS69EJPW0)

POS. NO	PART NO.		DESCRIPTION
10	240435912	A B C D	Cover-air duct
10A	241719711	A B C D	Cover-evap coil, lower
11	5303208309	A B C D	Plug-hole, factory test
14	240505801	A B C D	Switch, light/lamp
14A	241547901	A B C D	Switch-light/lamp, frzr door
21C	218252201	A B C D	Screw, #8 truss hd, 10-32CA x 0.500
22	240457702	A - C -	Plate-door closer
22	240457701	- B - D	Plate-door closer
23	240402702	A B C D	Screw-#10-32 x 1/4 flat hd
28	241708801	A B C D	Bolt-roller adj, hex washer head, 1/4-20 x 4.020, (2), special
30	241603703	A B C D	Bracket-lower hinge, ref
30A	241603704	A B C D	Bracket-lower hinge
37	240337610	A - C -	Trim-cabinet corner, black, (2)
37	240337608	- B - D	Trim-cabinet corner, white, (2)
38	240327207	A B C D	Bracket-upper hinge
40	241555103	A - C -	Cover-hinge, black
40	241555101	- B - D	Cover-hinge
41	241550801	A B C D	Grommet-shelf mtg, 1.40" long
41*	241550701	A B C D	Grommet-shelf mtg, .96" long
42	240578902	A B C D	Screw-hinge mtg, hex head, 1/4-20 x 5/8
43	241882901	A B C D	Roller Assy, adjustable, front, (2)
45	241500303	A B C D	Screw, hex washer head, 8-18AB x 0.500
47	240349402	A B C D	Channel-shelf mtg, side, (2)
58	218781101	A B C D	Screw, pan head, 8-18 x 0.625
66	5304424968	A B C D	Damper Cover Assy
66*	240518802	A B C D	Pin-push, push-in, plastic
72	240324411	A - C -	Grille/Kickplate, black
72	240324409	- B - D	Grille/Kickplate, white
81	5304455650	A B C D	Screw, hex washer head, 8-15A x 0.625, low profile
82	5304418225	A B C D	Roller, compressor base, rear, (2)
83	5304455655	A B C D	Rivet, flat head, 1/4 OD x 1-3/4, roller pin
89	241733902	A B C D	Cover-access, w/label
90	218249808	A B C D	Seal-coil cover
91	240380101	A B C D	Duct-ice maker
92	241710601	A B C D	Screw, hex washer hd, 1/4 x 7/8, hinge mtg
100	240423701	A B C D	Support, crisper cover, front, (4)
100*	240350802	A B C D	Support, crisper cover, rear, (4)
*	240396801	A B C D	Clamp, tube/wiring, nylon, black/natural
*	240479601	A B C D	Plug, button, cab liner holes
*	5303321321	A - C -	Paint, touch-up, black
*	5303321319	- B - D	Paint, touch-up, white

SHELVES



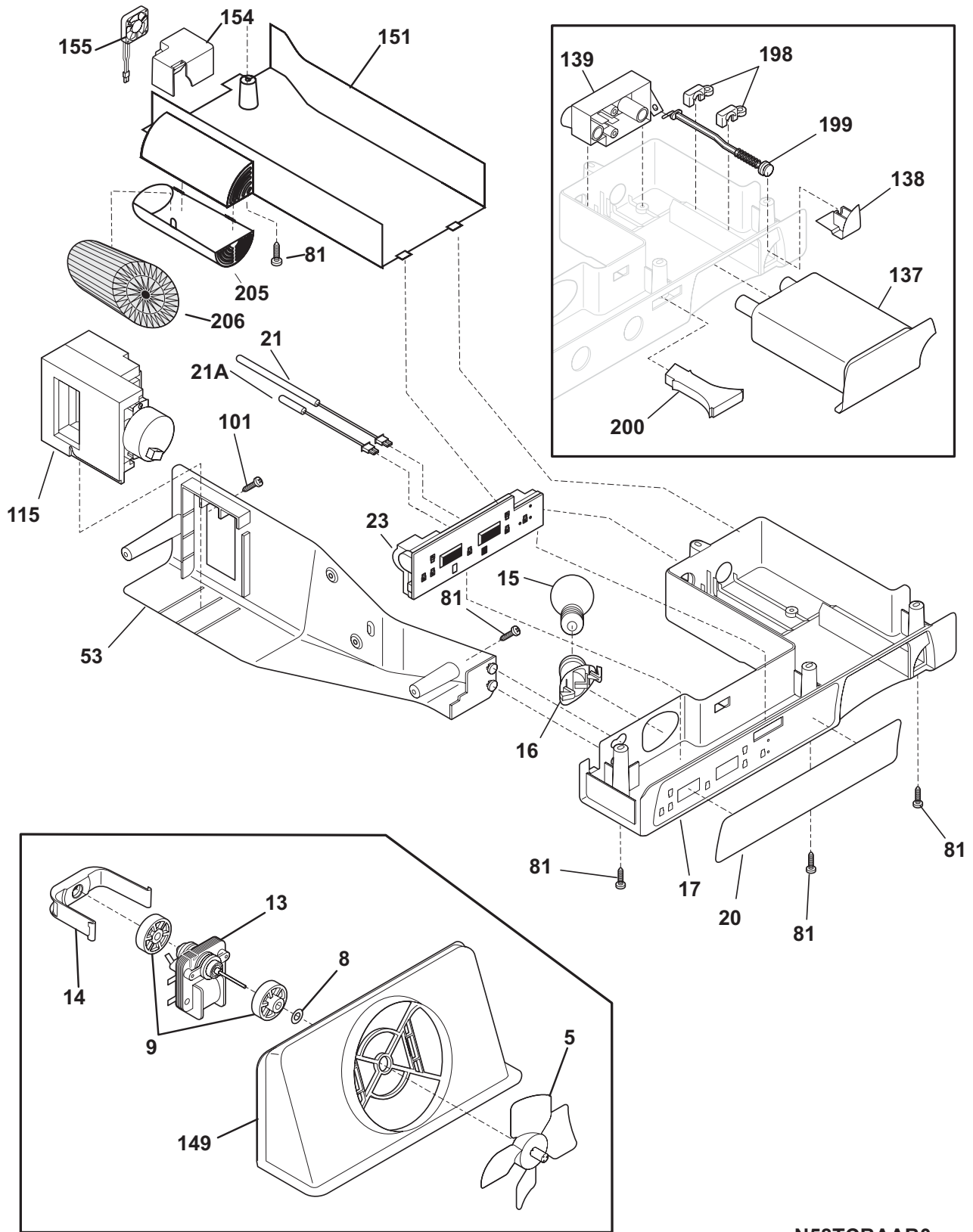
N58SKDGBD12

SHELVES

Model Index: A GLHS69EJ (GLHS69EJB0)
 B GLHS69EJ (GLHS69EJW0)
 C GLHS69EJ (GLHS69EJPB0)
 D GLHS69EJ (GLHS69EJPW0)

POS. NO	PART NO.				DESCRIPTION	
2	241510604	A	B	C	D	Trim-basket
11	240350668	A	B	C	D	Shelf-freezer, glass, lower
11A	240350667	A	B	C	D	Shelf-freezer, glass, upper
11C	240324101	A	B	C	D	Shelf-pizza
15	241552801	A	B	C	D	Light Bulb
15A	241555401	A	B	C	D	Light Bulb
16	240590401	A	B	C	D	Socket-light
16*	241537504	A	B	C	D	Harness-wiring
16A#	241513901	A	B	C	D	Socket-light
21	5304455658	A	B	C	D	Screw, hx wshr hd sems, 8-15A x 0.625
24	240355203	A	B	C	D	Shelf-"Spill-Safe", fixed
24A	240355205	A	B	C	D	Shelf-"Spill-Safe", fixed
24B	240350106	A	B	C	D	Shelf-"Spill-Safe", cantilever, sliding
25	240350702	A	B	C	D	Cover-crisper pan, upper
25*	240362101	A	B	C	D	Clip-slide, cover-crisper
25A	240350902	A	B	C	D	Cover-crisper pan, lower
26	240351020	A	B	C	D	Pan-crisper, upper
26*	240349801	A	B	C	D	Clip-slide, pan-crisper
26*	241595202	A	B	C	D	Clip-slide, pan-crisper
26A	240362201	A	B	C	D	Control-humidity
27	240351218	A	B	C	D	Pan-crisper, lower
39	240367602	A	B	C	D	Trim-shelf, front
42	240356501	A	B	C	D	Track, meat pan hanger, RH
42A	240349701	A	B	C	D	Hanger-meat pan, LH
42A*	240349901	A	B	C	D	Block-meat pan rail, LH
42A*	240350001	A	B	C	D	Spring-meat pan rail
47	240350602	A	B	C	D	Insert-pan cover, glass
47A	240350603	A	B	C	D	Insert-pan cover, glass
49	240564401	A	B	C	D	Basket-sliding
49B	240530504	A	B	C	D	Basket-sliding, upper, full
51	240343002	A	B	C	D	Hanger-basket, RH
51A	240395502	A	B	C	D	Hanger-basket, RH
52	240343102	A	B	C	D	Hanger-basket, LH
52A	240395602	A	B	C	D	Hanger-basket, LH
62	240342817	A	B	C	D	Pan-meat
81	5304455650	A	B	C	D	Screw, hex washer head, 8-15A x 0.625, low profile
97	240545307	A	B	C	D	Water Tank
100	240326304	A	B	C	D	Cover-water tank
101	218493101	A	B	C	D	Screw, hex washer head, 8-18AB x 1-3/4
109	240351301	A	B	C	D	Base-crisper light socket
120	240342901	A	B	C	D	Shelf-ice cream
123	215005101	A	B	C	D	Screw, hanger/rlr mtg, 8-10 x 7/16
126	241674401	A	B	C	D	Channel, auger mtg, LH
126	241674402	A	B	C	D	Channel, auger mtg, RH
136	241657701	A	B	C	D	Dispenser-can, white
140	240430501	A	B	C	D	Channel, wtr tube cover
140A	240430503	A	B	C	D	Channel, wtr tube cover
141	240585404	A	B	C	D	Bracket-light socket
142	240582703	A	B	C	D	Shield-light Mid Level
*	241868005	A	B	-	-	Energy Guide
*	241868006	-	-	C	D	Energy Guide

CONTROLS



N58TCBAAB0

CONTROLS

Model Index: A GLHS69EJ (GLHS69EJB0)
 B GLHS69EJ (GLHS69EJW0)
 C GLHS69EJ (GLHS69EJPB0)
 D GLHS69EJ (GLHS69EJPW0)

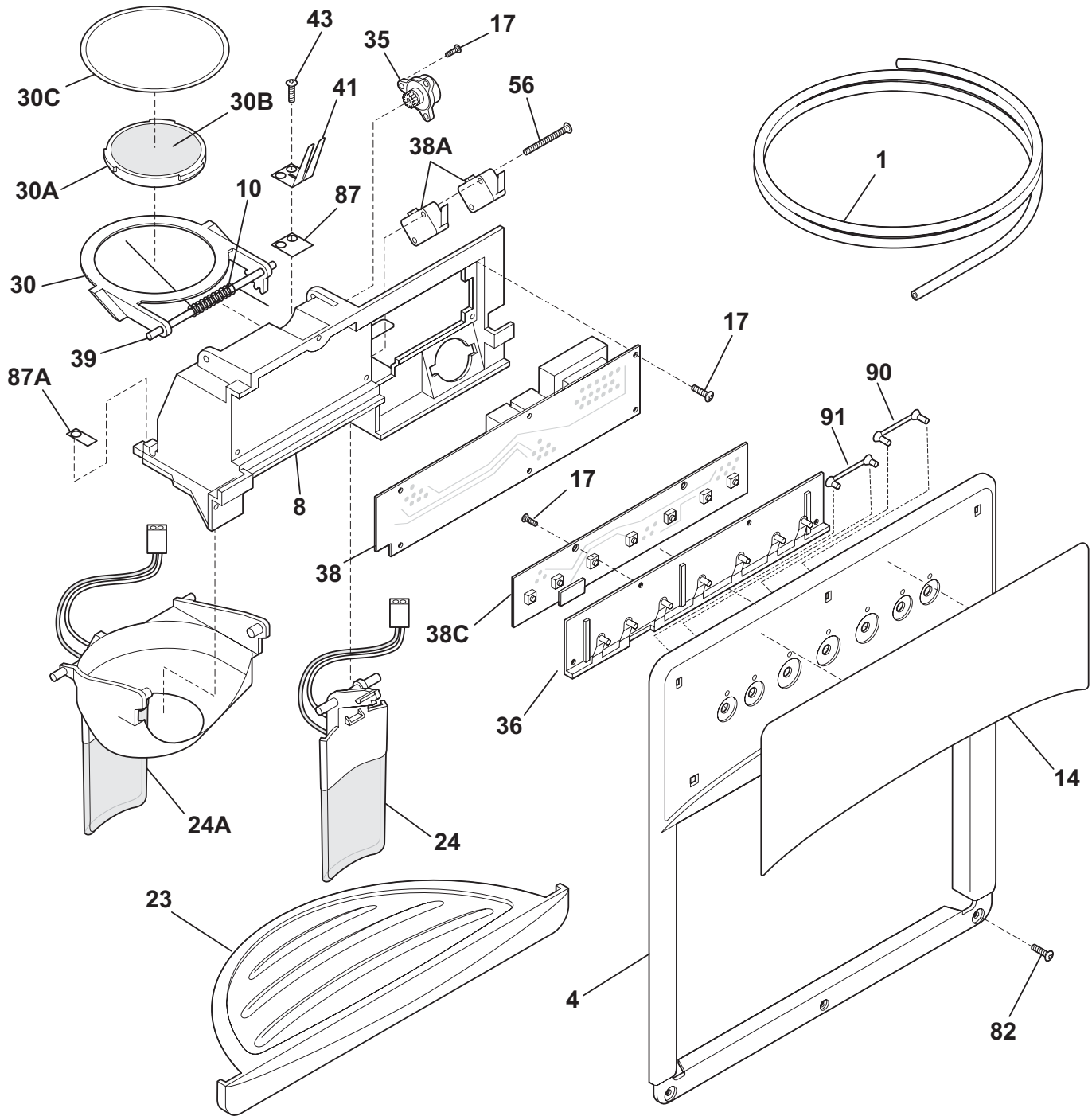
POS. NO	PART NO.		DESCRIPTION
5 #	5308000010	A B C D	Fan Blade, red, evaporator fan
8	215474201	A B C D	Washer, "slinger", nylon, evap fan shaft
9	241563601	A B C D	Bushing-motor mtg, (2)
13	240369702	A B C D	Motor-evap fan
14	241517701	A B C D	Clip, evap fan motor
15	241555401	A B C D	Light Bulb
16 #	241513901	A B C D	Socket-light
17	241608801	A B C D	Box-control, front
17*#	241737801	A B C D	Harness-wiring, control box
20	241603920	A B C D	Label-control box
21	241608401	A B C D	Thermistor-refr
21A	241608501	A B C D	Thermistor-frzr
23 #	241739703	A B C D	Control, electronic, w/housing
23*	5304455649	A B C D	Screw-timer mtg, pan hd, 6-20 x 0.438, (2)
53	241608901	A B C D	Box-control
81	5304455650	A B C D	Screw, hex washer head, 8-15A x 0.625, low profile
101	241637202	A B C D	Screw, #8AB x 1 3/4"
115	241600905	A B C D	Damper Assy, w/seal
137	240396401	A B C D	Filter, water, carbon cassette, front, with o'rings
137*	240396701	A B C D	Bypass, water filter, Optional Part
138	240397301	A B C D	Button-filter release
139	240396002	A B C D	Base-water filter
139*	240526901	A B C D	O-ring, wtr filter base
149	241563501	A B C D	Shroud-fan orifice
149*	241528306	A B C D	Seal, shroud
151	241526001	A B C D	Filter housing
154	241525801	A B C D	Duct-air
155*	241611901	A B C D	Harness-wiring, filter fan
155#	241526102	A B C D	Motor-air filter
198	240397401	A B C D	Retainer
199	240397501	A B C D	Rod
199*	240398401	A B C D	Spring-filter release rod
200	240397601	A B C D	Light Pipe
205	241525901	A B C D	Air Filter Door
206	241504902	A B C D	Filter-air

SYSTEM

Model Index: A GLHS69EJ (GLHS69EJB0)
 B GLHS69EJ (GLHS69EJW0)
 C GLHS69EJ (GLHS69EJPB0)
 D GLHS69EJ (GLHS69EJPW0)

POS. NO	PART NO.		DESCRIPTION
1	240333603	A B C D	Condenser
3	218679607	A B C D	Block-evap coil, styrofoam, (2)
4 #	218944001	A B C D	Drier-filter, R134a System
6 #	241641401	A B C D	Harness-wiring, machine compt
6*	241611901	A B C D	Harness-wiring, filter fan
6* #	241651601	A B C D	Harness-wiring, evaporator
6* #	241737801	A B C D	Harness-wiring, control box
14 #	240316107	A B C D	Heater-defrost
15 #	5303918284	A B C D	Evaporator Kit
16	5308000110	A B C D	Strap-evap/heater, aluminum, (2)
21	5303918214	A B C D	Thermostat-defrost, kit
22	240330011	A B C D	Base-compressor mtg
22*	218252201	A B C D	Screw, #8 truss hd, 10-32CA x 0.500
23	241659701	A B C D	Grommet, compressor
25	240491503	A B C D	Screw-compressor mtg, 1/4-28 x 1.16, (4)
26	241697601	A B C D	Pan-defrost
29 #	5303918329	A B C D	Compressor, kit, w/electricals
30 #	241707701	A B C D	Starter, PTC
32	241650901	A B C D	Clamp, elec cont mtg, compressor
34	240405201	A B C D	Grommet, rubber, black, cond tube/wire
41	240555002	A B C D	Screw-#8-32 X 3/8
44	215174700	A B C D	Clamp-service cord, strain relief, galv steel
45	5304455650	A B C D	Screw, hex washer head, 8-15A x 0.625, low profile
50	241635501	A B C D	Housing-control, apollo lighting
50*	241641501	A B C D	Screw
55	218909913	A B C D	Capacitor, run, 220 VAC, 15 microfarad
57	240542601	A B C D	Clip-wiring harness
58	240433203	A B C D	Screw, hex washer head, 8-18 x 3/8
59	240315502	A B C D	Shroud-cond fan
59*	240346701	A B C D	Tape-foam seal, shroud
59*	240359403	A B C D	Screw-fan shroud, (2)
59A	240346501	A B C D	Bracket-support, cond mtr, (3)
59B	240346601	A B C D	Grommet-bracket, (3)
60	241584301	A B C D	Motor-condenser fan
61	241639501	A B C D	Blade-condenser fan
62	240429402	A B C D	Trough-drain
70	218990801	A B C D	Bracket-evap/cvr mtg
82	5304418225	A B C D	Roller, compressor base, rear, (2)
83	5304455655	A B C D	Rivet, flat head, 1/4 OD x 1-3/4, roller pin
84	5304421068	A B C D	Tube-drain, lower
85	241719501	A B C D	Tube-connector, suction
86	240409302	A B C D	Spacer-cond tube, black
*	5303918222	A B C D	Hot Tube Repair Kit, service
* #	5303918328	A B C D	Heat Exchanger Kit, suction line, service

ICE & WATER DISPENSER



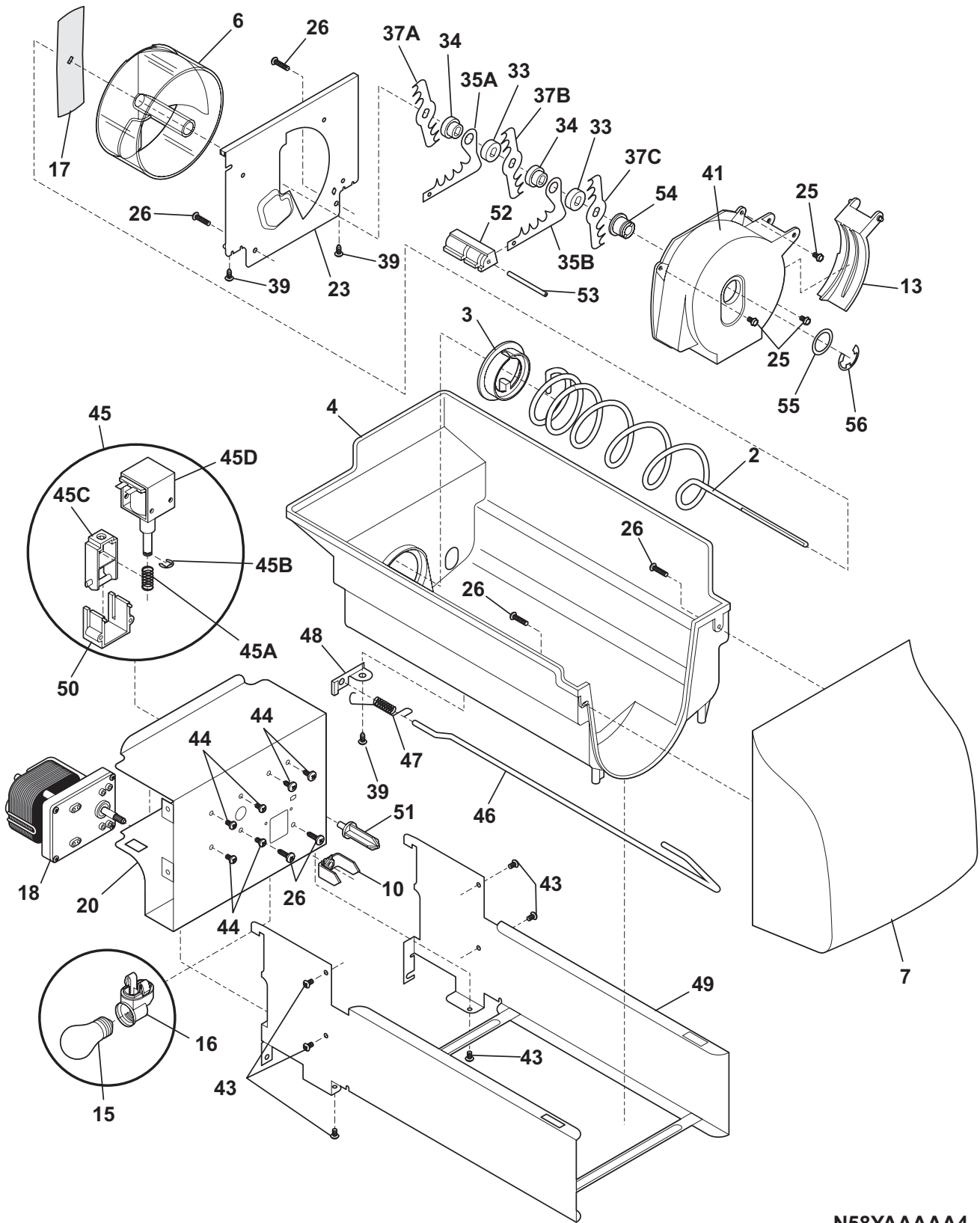
N58XEAAA1

ICE & WATER DISPENSER

Model Index: A GLHS69EJ (GLHS69EJB0)
 B GLHS69EJ (GLHS69EJW0)
 C GLHS69EJ (GLHS69EJPB0)
 D GLHS69EJ (GLHS69EJPW0)

POS. NO	PART NO.		DESCRIPTION
1	218976409	A B C D	Tube, water, door
1	218976915	A B C D	Tube-water inlet, inlet valve, to filter
1*	218976418	A B C D	Tube-water inlet, inlet valve, to filter
1*	218976419	A B C D	Tube-water inlet, valve to door
1*	240561701	A B C D	Seal-water inlet, inlet valve, to ice maker
4	241678703	A - C -	Cover-module, black
4	241678701	- B - D	Cover-module, white
8	241680503	A - C -	Module-dispenser, black
8	241680501	- B - D	Module-dispenser, white
10	241688901	A B C D	Spring-torsion
14	240323969	A - C -	Label-module cover, black
14	240323967	- B - D	Label-module cover, white
17	241679801	A B C D	Screw
23	241649003	A - C -	Drip Tray, black
23	241649001	- B - D	Drip Tray, white
24	241685703	A - C -	Actuator-water, black
24	241685701	- B - D	Actuator-water, white
24A	241682303	A - C -	Actuator-ice, black
24A	241682301	- B - D	Actuator-ice, white
30	241688401	A B C D	Door Assy-ice chute
30A	241688501	A B C D	Door center
30B	241688601	A B C D	Insulation-door
30C	241688701	A B C D	Door seal
35	241689301	A B C D	Damper-rotary
36	241680301	A B C D	Carrier
38 #	241708102	A B C D	Board-power
38A#	241689101	A B C D	Switch-micro, single pole, double throw
38C#	241708307	A B C D	Board-control
38C*	241680001	A B C D	Harness-ribbon cable
39	241688801	A B C D	Pin-hinge
41	241689001	A B C D	Spring-actuator
43	215296301	A B C D	Screw, plask h/l, #6 x 3/8
56	241689201	A B C D	Screw-micro switch, pan head
82	240363402	A B C D	Screw-#8-18 X 1/2, #6 hd plask
87	241688302	A B C D	Bearing Plate
87A	241688301	A B C D	Bearing Plate
90	241680201	A B C D	Light Pipe, reflector, long
91	241680101	A B C D	Light Pipe, reflector, short
*	218515403	A B C D	Clip-grille
*	241686201	A B C D	Insulator-electrical
*	5303918256	A B C D	Dispenser heater kit

ICE CONTAINER



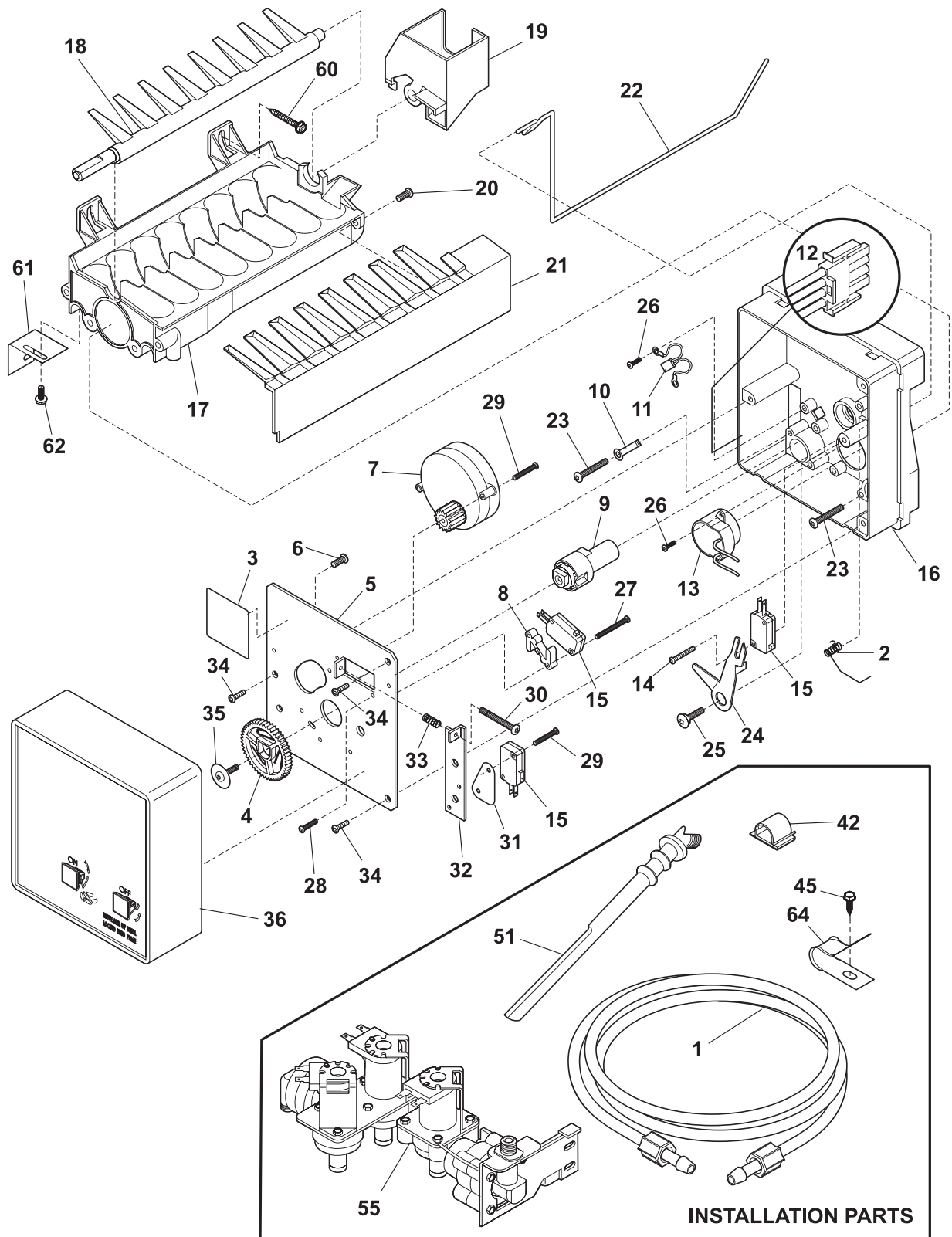
N58YAAAAA4

ICE CONTAINER

Model Index: A GLHS69EJ (GLHS69EJB0)
 B GLHS69EJ (GLHS69EJW0)
 C GLHS69EJ (GLHS69EJPB0)
 D GLHS69EJ (GLHS69EJPW0)

POS. NO	PART NO.	A	B	C	D	DESCRIPTION
2	241716101	A	B	C	D	Auger-ice
3	241685201	A	B	C	D	Cam-drive
4	241734001	A	B	C	D	Container-ice, bucket only
6	241685101	A	B	C	D	Drum-ice disp
7	241735301	A	B	C	D	Front-ice container
10	241726501	A	B	C	D	Bar-drive
13	241685301	A	B	C	D	Gate
15	241555401	A	B	C	D	Light Bulb
16	241559801	A	B	C	D	Socket-light
17	241684501	A	B	C	D	Drive Blade
18 #	241676202	A	B	C	D	Motor-auger, 115V
18*	240352602	A	B	C	D	Wiring Harness, internal, wiring harness
20	241734802	A	B	C	D	Cover-motor
23	241684001	A	B	C	D	Plate-front
25	241690701	A	B	C	D	Screw, hex washer head, 8-32T x 0.375
26	215503205	A	B	C	D	Screw, cr pan hd, 10-16 x 0.500
33	241684801	A	B	C	D	Spacer
34	241689801	A	B	C	D	Spacer
35A	241684301	A	B	C	D	Fixed Blade, round
35B	241684201	A	B	C	D	Fixed Blade, square
37A	241684101	A	B	C	D	Blade, crusher #1
37B	241684102	A	B	C	D	Blade, crusher #2
37C	241684103	A	B	C	D	Blade, crusher #3
39	241690501	A	B	C	D	Screw
41	241685601	A	B	C	D	Housing-crusher
43	215296301	A	B	C	D	Screw, plask h/l, #6 x 3/8
44	218359202	A	B	C	D	Screw, pan head, 8-32 x 0.250
45 #	241675701	A	B	C	D	Solenoid Assy, 115V
45A	241675901	A	B	C	D	Spring-solenoid
45B	241676001	A	B	C	D	E-Ring-solenoid
45C	241676101	A	B	C	D	Actuator-solenoid
45D#	241675801	A	B	C	D	Solenoid, 115V
46	241716002	A	B	C	D	Control Rod
47	241731801	A	B	C	D	Spring-control rod
48	241684602	A	B	C	D	Bracket-control rod
49	241734501	A	B	C	D	Rail Assy
50	241675601	A	B	C	D	Guide-solenoid
51	241676301	A	B	C	D	Rotation Stop
52	241684901	A	B	C	D	Spacer-fixed blades
53	241690402	A	B	C	D	Pin-spiral, fixed blades
54	241685001	A	B	C	D	Nut-auger
55	241690306	A	B	C	D	Washer
56	241690201	A	B	C	D	E-ring
*	241860801	A	B	C	D	Ice Container Assy, w/moving parts

ICE MAKER



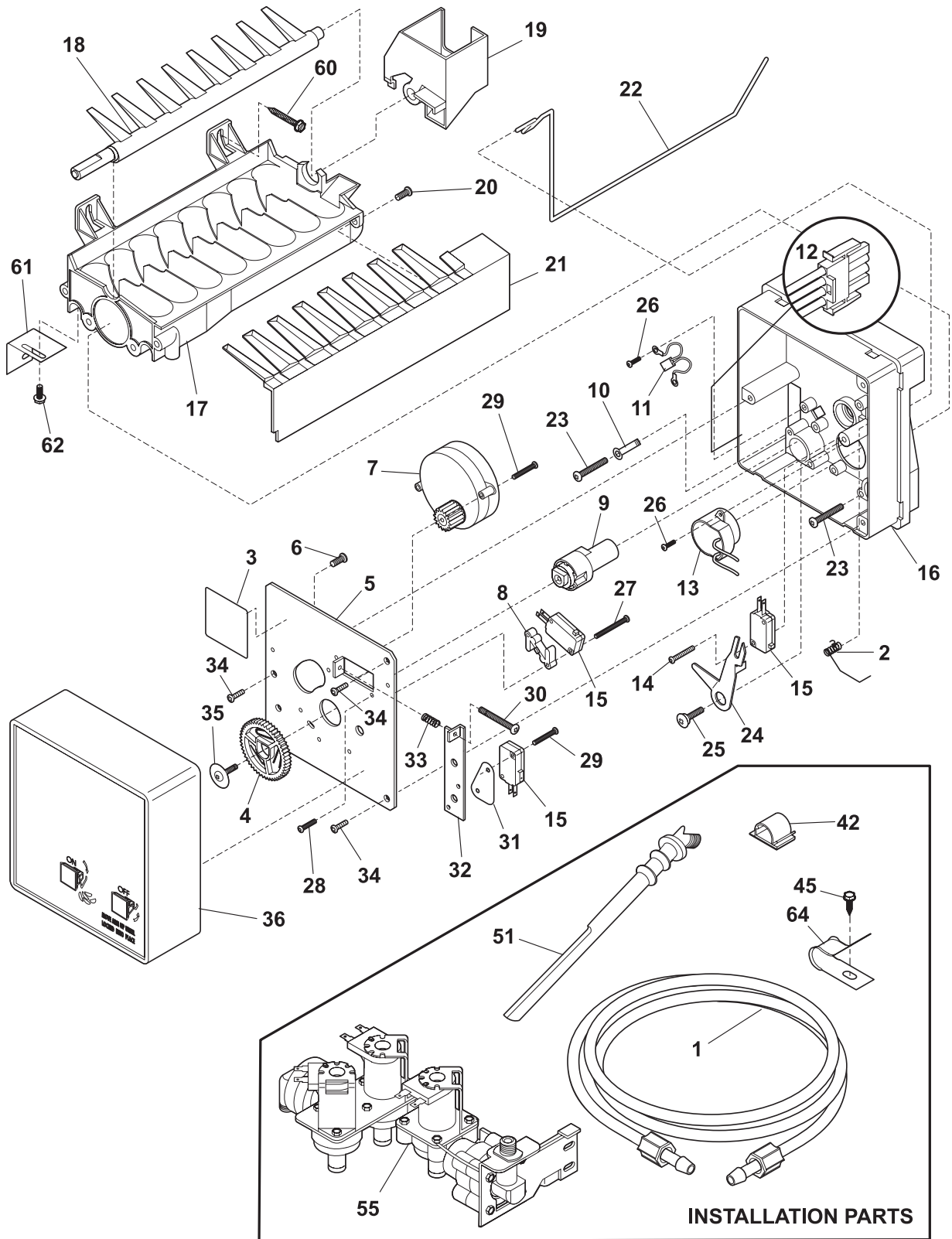
N581151

ICE MAKER

Model Index: A GLHS69EJ (GLHS69EJB0)
 B GLHS69EJ (GLHS69EJW0)
 C GLHS69EJ (GLHS69EJPB0)
 D GLHS69EJ (GLHS69EJPW0)

POS. NO	PART NO.	A	B	C	D	DESCRIPTION
1	218976409	A	B	C	D	Tube, water, door
1*	218976418	A	B	C	D	Tube-water inlet, inlet valve, to filter
1*	218976419	A	B	C	D	Tube-water inlet, valve to door
1*	218976915	A	B	C	D	Tube-water inlet, inlet valve, to filter
1*	240561701	A	B	C	D	Seal-water inlet, inlet valve, to ice maker
2	5304456650	A	B	C	D	Spring-shutoff arm, ice maker
3	5304456657	A	B	C	D	Nameplate
4	5304456658	A	B	C	D	Gear
5	5304456659	A	B	C	D	Plate-mounting
6	5304456691	A	B	C	D	Screw, M 3x20 #3, valve plate
7 #	5304445222	A	B	C	D	Motor-ice maker Svo
7*	5304445223	A	B	C	D	Spring Beam
8	5304456661	A	B	C	D	Spacer-hold switch
9	5304456662	A	B	C	D	Cam
10	5304456689	A	B	C	D	Retainer, thermostat
11 #	5304456663	A	B	C	D	Thermal Cutoff, ice maker, complete assy
12	5304456664	A	B	C	D	Harness-wiring
13	5304456665	A	B	C	D	Thermostat, ice maker
14	5304456676	A	B	C	D	Screw, plask, 4x14x3/4
15 #	5304456667	A	B	C	D	Switch-micro, (3)
16	5304456668	A	B	C	D	Support
17	5304456669	A	B	C	D	Mold-ice maker, w/therm cut off
18	5304456670	A	B	C	D	Ejector-ice
18*	240352602	A	B	C	D	Wiring Harness, internal, wiring harness
19	5304456671	A	B	C	D	Bearing & Inlet, fill cup
20	5304456677	A	B	C	D	Screw, 8-32 x 3/8
21	5304456672	A	B	C	D	Ice Stripper
22	5304456673	A	B	C	D	Shut-off Arm
23	5304456674	A	B	C	D	Screw, M 4x25 #2, mold-to-support, (2)
24	5304456675	A	B	C	D	Lever Arm
25	5304456676	A	B	C	D	Screw, M 4x12.8 #2, lever arm/sprt
26	5304456680	A	B	C	D	Screw, plask, 4-14 x 3/8
27	5304456677	A	B	C	D	Screw, M 3x25 #3, hold switch mtg, (2)
28	5304456660	A	B	C	D	Screw, M 4x6 #2
29	5304456678	A	B	C	D	Screw, M 3x12 #3, (2)
30	5304456679	A	B	C	D	Screw-timing adj, M 4x25 #3
31	5304456680	A	B	C	D	Insulator
32	5304456681	A	B	C	D	Plate-valve switch
33	5304456682	A	B	C	D	Spring, timing adjust
34	5304456683	A	B	C	D	Screw, M 4x12 #2, (3)
35	5304456684	A	B	C	D	Screw
36	5304456685	A	B	C	D	Cover-ice maker
36*	5304456690	A	B	C	D	Label, ID plate
42	218515403	A	B	C	D	Clip-grille
45	5304456650	A	B	C	D	Screw, hex washer head, 8-15A x 0.625, low profile
51	241796401	A	B	C	D	Tube-water fill, extension
55 #	241734301	A	B	C	D	Valve-water, triple solenoid

ICE MAKER



N581151

ICE MAKER

Model Index: A GLHS69EJ (GLHS69EJB0)
 B GLHS69EJ (GLHS69EJW0)
 C GLHS69EJ (GLHS69EJPB0)
 D GLHS69EJ (GLHS69EJPW0)

POS. NO	PART NO.		DESCRIPTION
55*	218709101	A B C D	Screw, hex head, 10-32 x 0.500
55*	240363602	A B C D	Screw-shoulder
55*	240542901	A B C D	Cap-water valve
60	5303207328	A B C D	Screw, hex washer head, 8-15A x 1.000, (2)
61	5304456686	A B C D	Bracket-leveling, ice maker
62	5304456687	A B C D	Screw-IM brkt mtg, pan hd phillips, 8-32T x 0.375
64	5303001549	A B C D	Clamp, 0.31 ID, steel, copper wtr line
*	241642501	A B C D	Ice Maker, radius cube, 115 V, Svce
*	241806601	A B C D	Connector-water, straight
*	5304456666	A B C D	Screw, M 3x20 #2, (6)
*	5304456688	A B C D	Terminal
*	5304456692	A B C D	Washer
*	5304456693	A B C D	Nut, M 3.5
*	5304456737	A B C D	Washer
*	241642601	A B C D	Harness-wiring Svo

WIRING SCHEMATIC

