

Frigidaire

Factory Parts Catalog

| | | | | |
|---------------------------|----------------|----------------|----------------|----------------|
| Product No. | GLHT217JK0 | GLHT217JS0 | GLHT217JPB0 | GLHT217JPW0 |
| Series | Gallery | Gallery | Gallery | Gallery |
| Color | stainless (LH) | stainless (RH) | black (smooth) | white (smooth) |
| Volts | 115 | 115 | 115 | 115 |
| Wiring Diagram | 241582401 | 241582401 | 241582401 | 241582401 |
| Owner's Guide | 241857201 | 241857201 | 241857201 | 241857201 |
| Market | North America | North America | North America | North America |
| Energy Guide | 241868025 | 241868025 | 241868025 | 241868025 |
| Service Data Sheet | 241588203 | 241588203 | 241588203 | 241588203 |
| Installation Instructions | 240568303 | 240568303 | 240568303 | 240568303 |



Electrolux Major Appliances
 North & Latin America
 P.O. BOX 212378
 AUGUSTA, GA 30917

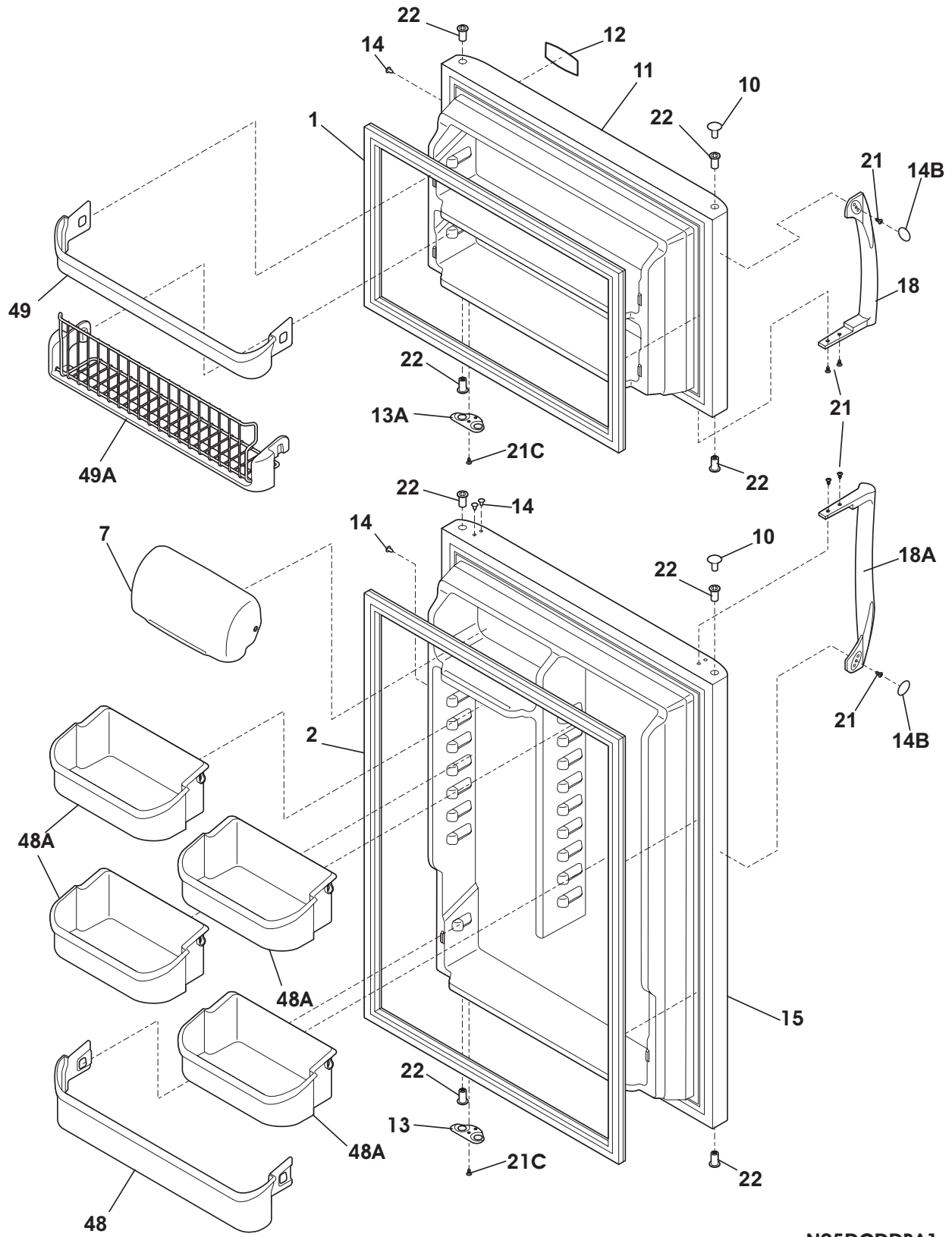
Publication No.
5995506648
 08/02/12
 (EN/SERVICE/KHB)
 390

**TOP-MOUNT
 REFRIGERATOR**

Model No.
GLHT217J

Copyright © 2008 Electrolux Home Products, Inc.
 All rights reserved.

DOOR



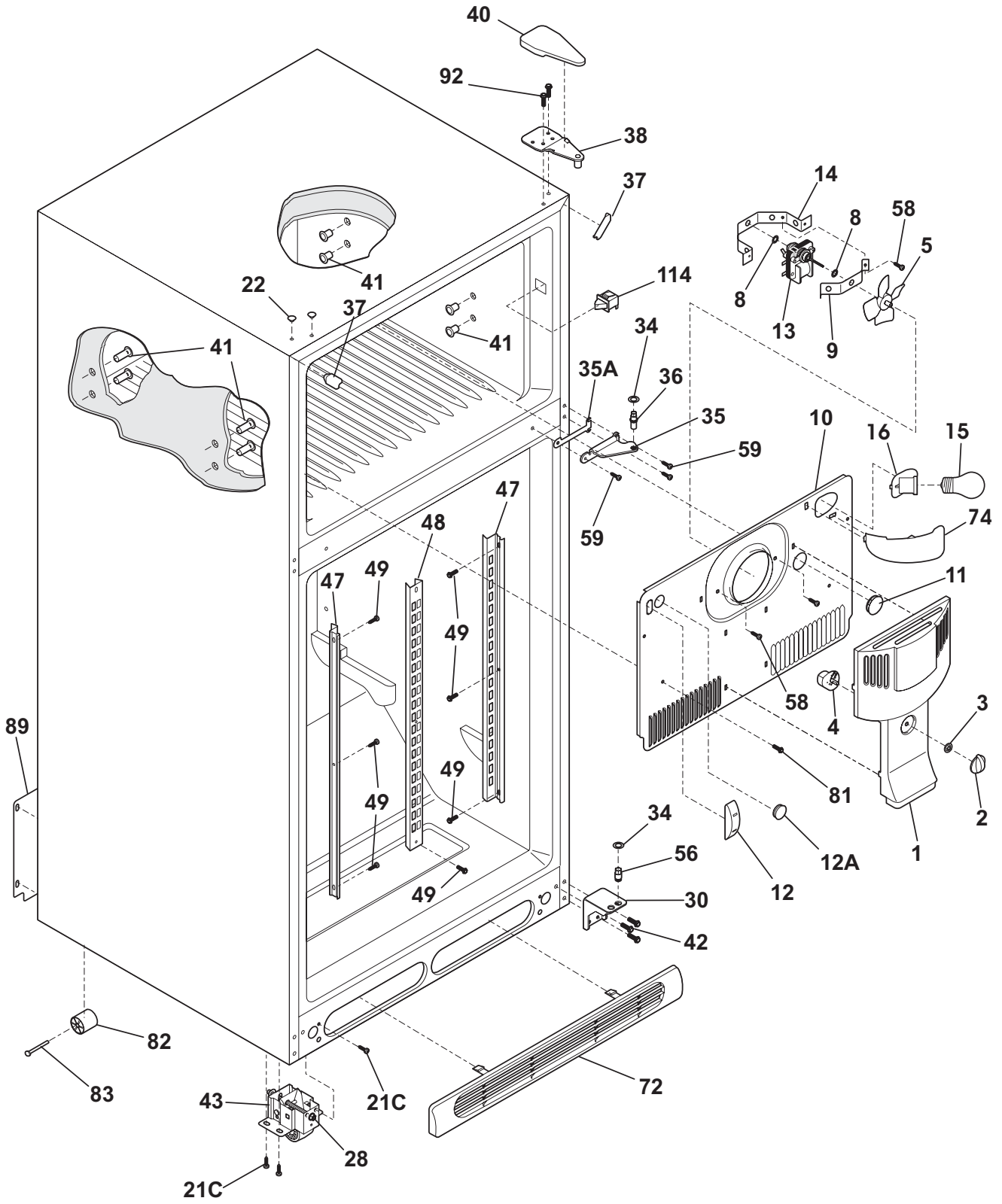
N05DCDDBA1

DOOR

Model Index: A GLHT217J (GLHT217JK0)
 B GLHT217J (GLHT217JS0)
 C GLHT217J (GLHT217JPB0)
 D GLHT217J (GLHT217JPW0)

| POS. NO | PART NO. | | DESCRIPTION |
|---------|-----------|---------|---|
| 1 # | 241872511 | A B C - | Gasket-frzr door, black, magnetic |
| 1 | 241872505 | - - - D | Gasket-frzr door, white, magnetic |
| 2 # | 241872514 | A B C - | Gasket, refr door seal, black, magnetic |
| 2 # | 241872513 | - - - D | Gasket, refr door seal, white, magnetic |
| 7 | 240338303 | A B C D | Door, dairy, clear |
| 10 | 240381303 | - - C - | Plug-button, black, hinge brg hole |
| 10 | 240381301 | - - - D | Plug-button, white, hinge brg hole, (2) |
| 11 | 240450365 | A - - - | Door, frzr, stainless steel, LH |
| 11 | 240450366 | - B - - | Door, frzr, stainless steel |
| 11 | 241798417 | - - C - | Door-frzr, black, complete assy |
| 11 | 241798415 | - - - D | Door-frzr, white, complete assy |
| 12 | 241808701 | A B C D | Nameplate |
| 13 | 240312405 | A B C - | Door Stop, black, refr |
| 13 | 240312403 | - - - D | Door Stop, white, refr |
| 13A | 240312406 | A B C - | Door Stop, black, frzr |
| 13A | 240312404 | - - - D | Door Stop, white, frzr |
| 14 | 240494003 | - - C - | Plug-button, black |
| 14 | 240494001 | - - - D | Plug-button, white |
| 14B | 240383603 | A B C - | Plug-button, black, door handle |
| 14B | 240383601 | - - - D | Plug-button, white, door handle |
| 15 | 240450474 | A - - - | Door, refr, stainless steel, LH |
| 15 | 240450475 | - B - - | Door, refr, stainless steel, RH |
| 15 | 241798520 | - - C - | Door-refr, black, complete assy |
| 15 | 241798518 | - - - D | Door-refr, white, complete assy |
| 18 | 240339203 | A B C - | Handle-door, black, refr-LH/frzr-RH |
| 18 | 240339201 | - - - D | Handle-door, white, refr-LH/frzr-RH |
| 18A | 240339208 | A B C - | Handle-door, black, refr-RH/frzr-LH |
| 18A | 240339206 | - - - D | Handle-door, white, refr-RH/frzr-LH |
| 21 | 240383406 | A B C D | Screw, truss hd quad, #10-16 x .500, zinc |
| 21C | 218252201 | A B C D | Screw, #8 truss hd, 10-32CA x 0.500 |
| 22 | 240527102 | A B C - | Bearing-hinge, black |
| 22 | 240527101 | - - - D | Bearing-hinge, natural color |
| 48 | 240338101 | A B C D | Bin-door, pseudo, bottom |
| 48A | 240338202 | A B C D | Bin-door, gallon |
| 48A* | 241779601 | A B C D | Liner, bin |
| 49 | 240495805 | A B C D | Bin-door, pseudo, frzr |
| 49A | 241801401 | A B C D | Bin-tilt out, tilt-out |
| * | 218490901 | A B - - | Cleaner, stainless steel |

CABINET



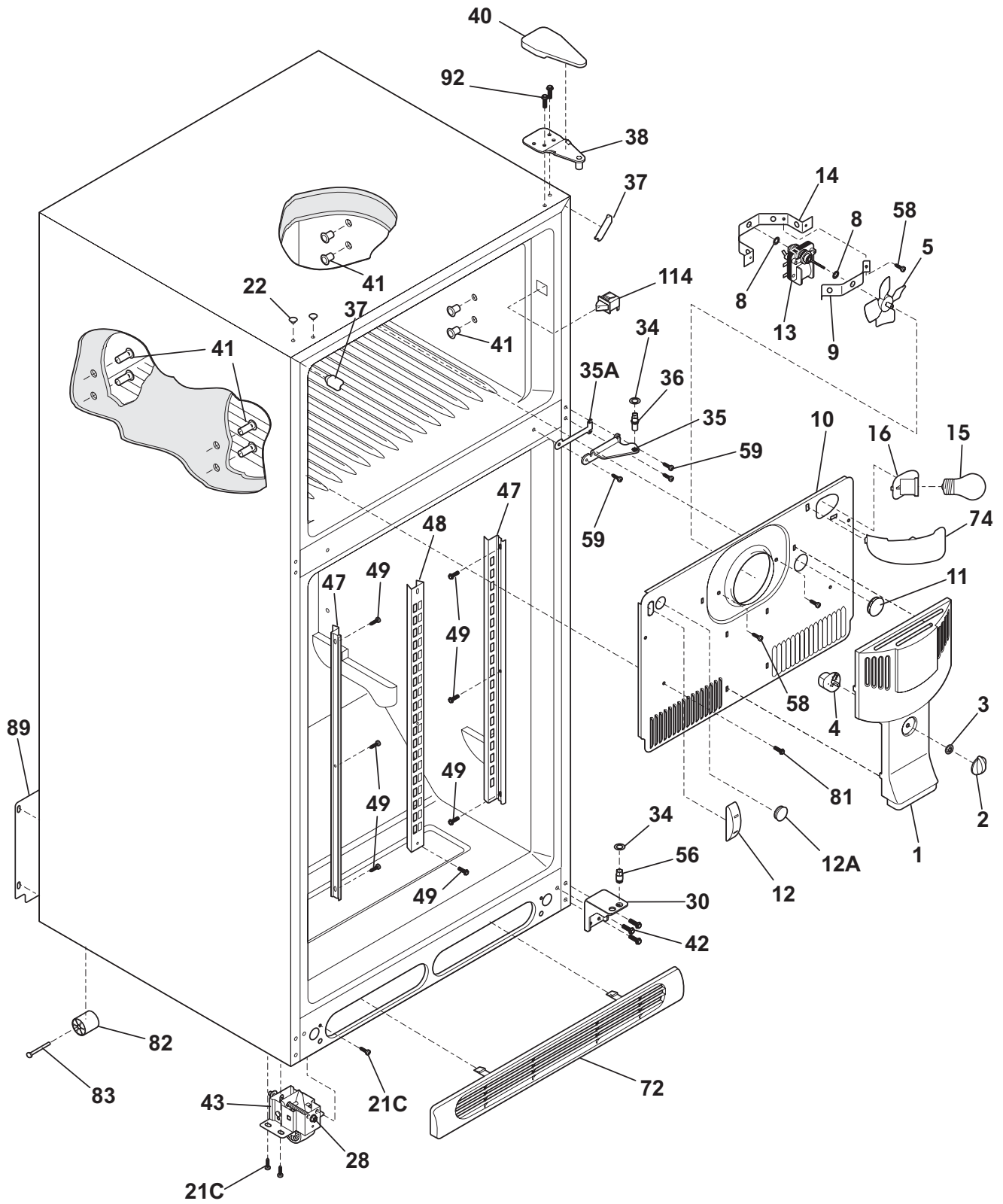
N05BAAABC6

CABINET

Model Index: A GLHT217J (GLHT217JK0)
 B GLHT217J (GLHT217JS0)
 C GLHT217J (GLHT217JPB0)
 D GLHT217J (GLHT217JPW0)

| POS. NO | PART NO. | | DESCRIPTION |
|---------|------------|---------|--|
| 1 | 240355402 | A B C D | Cover-fan |
| 2 | 240367001 | A B C D | Knob-damper control |
| 3 | 5303212803 | A B C D | Nut |
| 4 | 241523701 | A B C D | Damper-fan cover |
| 5 # | 5308000010 | A B C D | Fan Blade, red, evaporator fan |
| 8 | 5300157666 | A B C D | Bushing-motor mtg, (2) |
| 9 | 5303292396 | A B C D | Bracket-motor mtg, front |
| 10 | 240313611 | A B C D | Cover-evap coil, w/light |
| 10* | 240568606 | A B C D | Seal-coil cover |
| 10*# | 241537701 | A B C D | Wiring Harness, freezer section, with light |
| 11 | 5303208309 | A B C D | Plug-hole, factory test |
| 12 | 241557601 | A B C D | Plug-ice maker harness, rectangular |
| 12A | 240374401 | A B C D | Plug-wtr inlet tube, round, 1" |
| 12A* | 241586701 | A B C D | Plug-foam-wtr-inlet, round |
| 13* | 215474201 | A B C D | Washer, "slinger", nylon, evap fan shaft |
| 14 | 5303292397 | A B C D | Bracket-motor mtg, rear |
| 14* | 240433204 | A B C D | Screw, hex washer head, 8-18 x 5/16 |
| 15 | 241560701 | A B C D | Light Bulb |
| 16 # | 241513901 | A B C D | Socket-light |
| 21C | 218252201 | A B C D | Screw, #8 truss hd, 10-32CA x 0.500 |
| 22 | 215774918 | A B C - | Plug-button, black, upr hinge holes |
| 22 | 215774901 | - - - D | Plug-button, white, upr hinge holes |
| 28 | 240335502 | A B C D | Bolt-roller adj, hex washer head, 1/4-20 x 4.020, (2), special |
| 30 | 240314003 | A B C - | Bracket-lower hinge, black |
| 30 | 240314011 | - - - D | Bracket-lower hinge, zinc |
| 34 | 240311303 | A B C D | Washer, hinge, nylon, (2) |
| 35 | 240313803 | A B C - | Bracket-ctr hinge, black |
| 35 | 240313806 | - - - D | Bracket-ctr hinge, zinc |
| 35A | 240336803 | A B C - | Spacer-hinge, center, black |
| 35A | 240336802 | - - - D | Spacer-hinge, center |
| 36 | 240516402 | A B C D | Pin-center hinge |
| 37 | 240337610 | A B C - | Trim-cabinet corner, black, (2) |
| 37 | 240337608 | - - - D | Trim-cabinet corner, white, (2) |
| 38 | 240313701 | A B C D | Bracket-upper hinge |
| 40 | 240354404 | A B C - | Cover-upper hinge, black |
| 40 | 240354401 | - - - D | Cover-upper hinge, white |
| 41 | 5308009759 | A B C D | Grommet, shelf mtg, 1.25", LH, (4) |
| 42 | 240578902 | A B C D | Screw, hex head, 1/4-20 x 5/8 |
| 43 | 240335005 | A B C D | Roller Assy, adjustable, front, (2) |
| 47 | 218233301 | A B C D | Channel-shelf mtg, side, (2) |
| 48 | 241566901 | A B C D | Channel-shelf mtg, center (ml) |
| 49 | 218362501 | A B C D | Screw, hex washer head, 8-18AB x 1.250, spacer, (2) |
| 56 | 240516502 | A B C D | Pin-lower hinge |
| 58 | 5304456287 | A B C D | Screw, hex washer head, 8-15A x 0.500 |
| 59 | 240442707 | A B C - | Screw-#10-32 X 3/4, black |
| 59 | 240442706 | - - - D | Screw-#10-32 X 3/4, zinc |
| 72 | 241839407 | A B C - | Grille/Kickplate, black |

CABINET



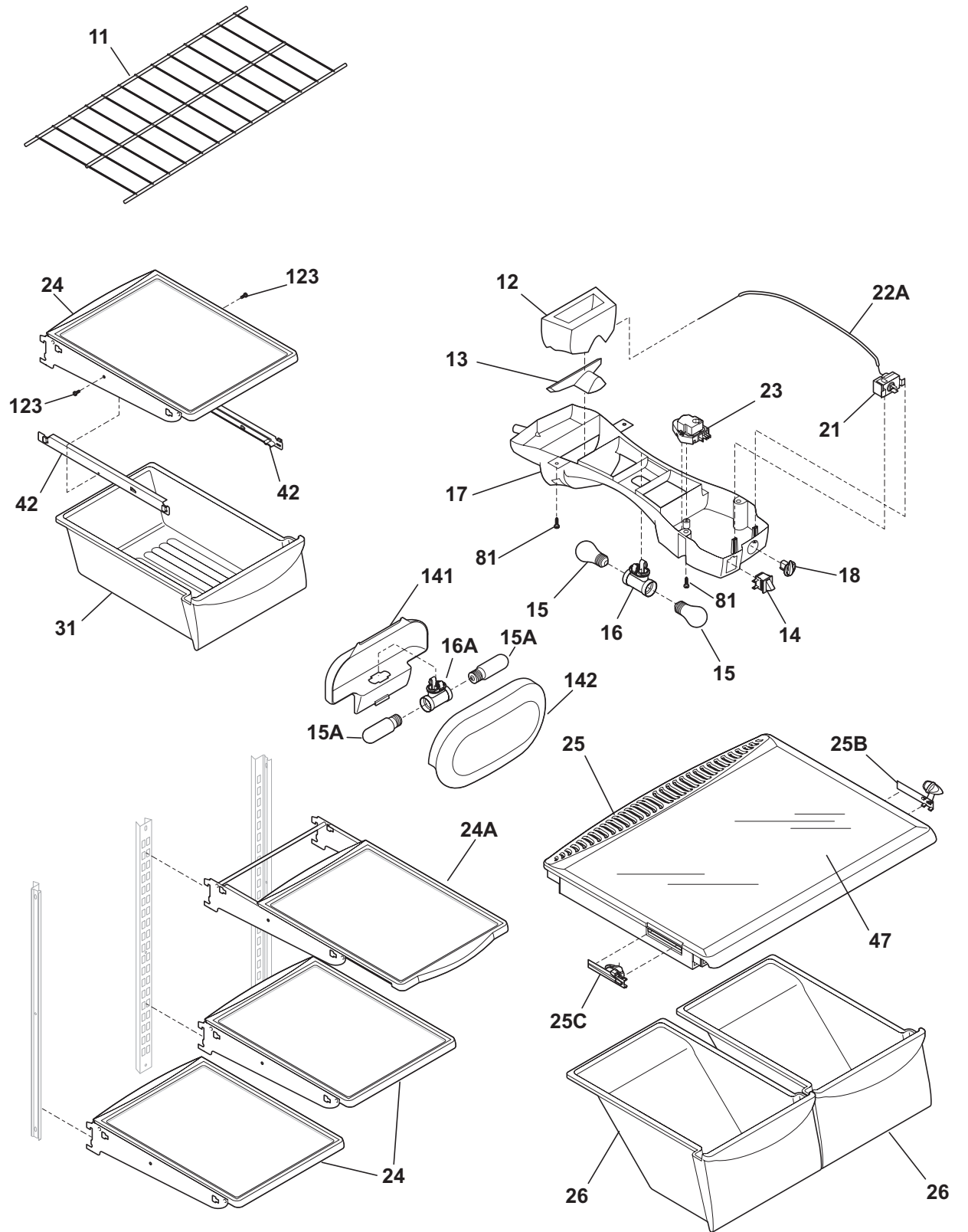
N05BAAABC6

CABINET

Model Index: A GLHT217J (GLHT217JK0)
 B GLHT217J (GLHT217JS0)
 C GLHT217J (GLHT217JPB0)
 D GLHT217J (GLHT217JPW0)

| POS. NO | PART NO. | | DESCRIPTION |
|---------|------------|---------|--|
| 72 | 241839405 | - - - D | Grille/Kickplate, white |
| 74 | 240354302 | A B C D | Shield-light, frzr |
| 81 | 5304455650 | A B C D | Screw, hex washer head, 8-15A x 0.625, low profile |
| 82 | 5304418225 | A B C D | Roller, compressor base, rear, (2) |
| 83 | 5304455655 | A B C D | Rivet, flat head, 1/4 OD x 1-3/4, roller pin |
| 89 | 241733907 | A B C D | Cover-access, with label |
| 89* | 241500303 | A B C D | Screw, hex washer head, 8-18AB x 0.500 |
| 92 | 241710601 | A B C D | Screw, hex washer hd, 1/4 x 7/8, hinge mtg |
| 114 | 240505801 | A B C D | Switch, light/lamp |
| * | 5303321321 | A B C - | Paint, touch-up, black |
| * | 5303321319 | - - - D | Paint, touch-up, white |
| * | 240479601 | A B C D | Plug, button, cab liner holes |

SHELVES



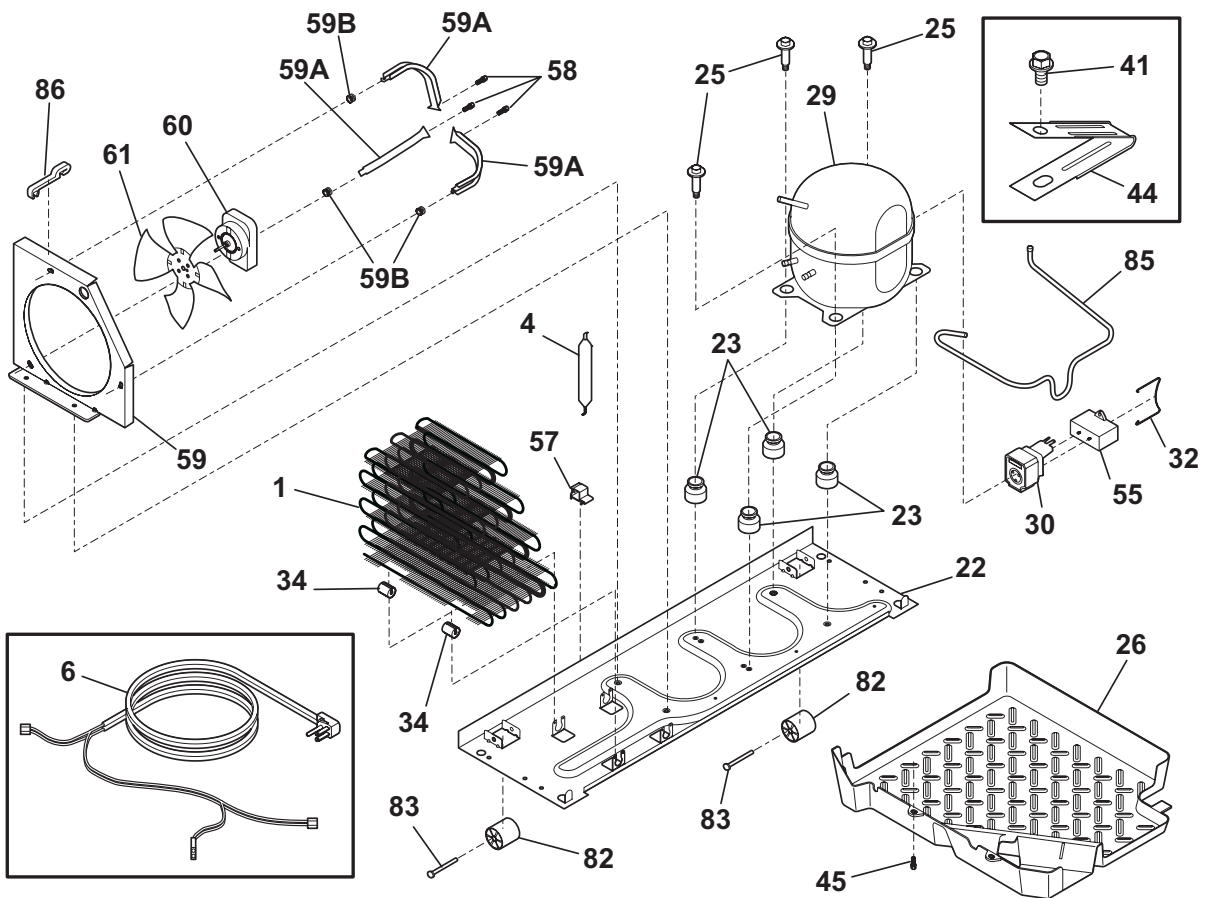
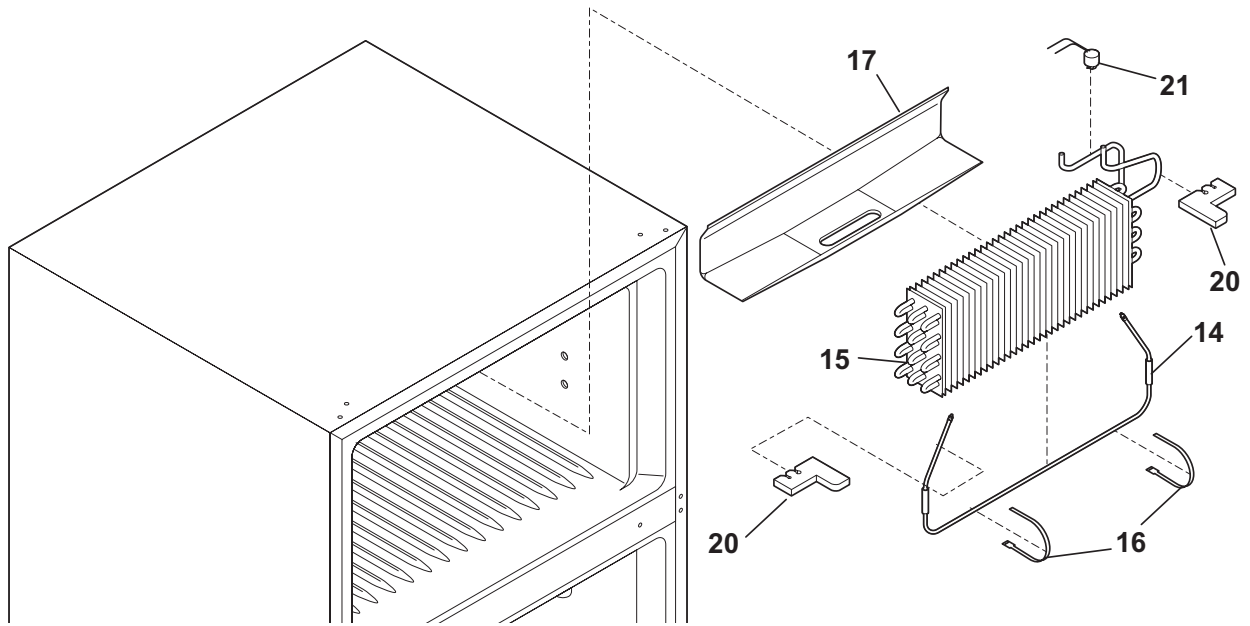
N05SADAFX1

SHELVES

Model Index: A GLHT217J (GLHT217JK0)
 B GLHT217J (GLHT217JS0)
 C GLHT217J (GLHT217JPB0)
 D GLHT217J (GLHT217JPW0)

| POS. NO | PART NO. | | DESCRIPTION |
|---------|------------|---------|--|
| 11 | 240358006 | A B C D | Shelf, freezer, full-width, wire |
| 12 | 240545901 | A B C D | Diffuser-air, top |
| 13 | 240362601 | A B C D | Diffuser, air, bottom |
| 14 # | 241554901 | A B C D | Switch-light/lamp |
| 15 | 241555401 | A B C D | Light Bulb |
| 15A | 241552802 | A B C D | Light Bulb |
| 16 | 240364201 | A B C D | Socket-light/lamp, dual |
| 16A | 241507803 | A B C D | Socket-light |
| 16A* | 241593901 | A B C D | Harness-wiring |
| 17 | 240368101 | A B C D | Control Box |
| 17* | 241566801 | A B C D | Harness-wiring, c/box M/Level |
| 18 | 240360801 | A B C D | Knob, temp control |
| 21 # | 5304445058 | A B C D | Control-temperature |
| 22A | 240468201 | A B C D | Tube, sensor sleeve, 31 inch, plastic, white |
| 23 # | 215846606 | A B C D | Timer, defrost, 60 Hz, 0.25 W, 120 V, 10 hour/30 min |
| 23* | 5304455649 | A B C D | Screw-timer mtg, pan hd, 6-20 x 0.438, (2) |
| 24 | 240355228 | A B C D | Shelf-"Spill-Safe", cantilever, half-width, fixed |
| 24A | 240350119 | A B C D | Shelf-"Spill-Safe", cantilever, half-width, sliding |
| 25 | 240364718 | A B C D | Cover-crisper pan |
| 25B | 241613501 | A B C D | Control-humidity, RH |
| 25C | 241613502 | A B C D | Control-humidity, LH |
| 26 | 240343803 | A B C D | Pan, crisper, (2) |
| 31 | 240530803 | A B C D | Pan-meat, w/o graphics, clear |
| 42 | 240356501 | A B C D | Track, meat pan hanger, RH |
| 42 | 240365401 | A B C D | Track, meat pan hanger, LH |
| 47 | 240443301 | A B C D | Panel, pan cover, glass |
| 81 | 5304455650 | A B C D | Screw, hex washer head, 8-15A x 0.625, low profile |
| 123 | 215005101 | A B C D | Screw, hanger/rlr mtg, 8-10 x 7/16 |
| 141 | 241562101 | A B C D | Shield-heat, Mid Level |
| 142 | 241562202 | A B C D | Shield-light Mid Level |
| * | 241868025 | A B C D | Energy Guide |

SYSTEM



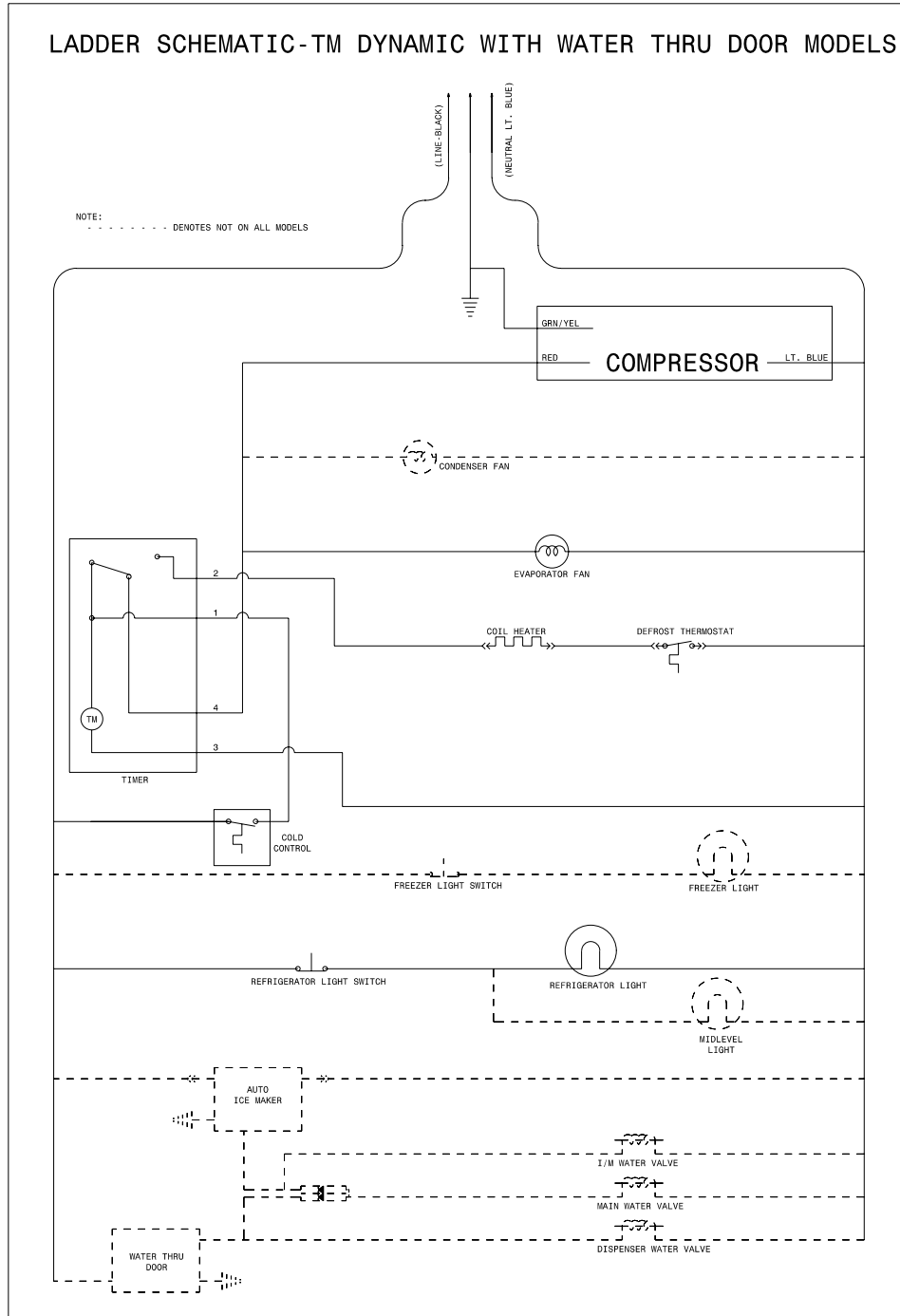
N05CAAAC9

SYSTEM

Model Index: A GLHT217J (GLHT217JK0)
 B GLHT217J (GLHT217JS0)
 C GLHT217J (GLHT217JPB0)
 D GLHT217J (GLHT217JPW0)

| POS. NO | PART NO. | | DESCRIPTION |
|---------|------------|---------|--|
| 1 | 240444401 | A B C D | Condenser, dynamic |
| 4 # | 218944001 | A B C D | Drier-filter, R134a System |
| 6 # | 241607001 | A B C D | Harness-wiring, machine compt |
| 6* # | 241537701 | A B C D | Wiring Harness, freezer section, with light |
| 6* # | 241566801 | A B C D | Harness-wiring, c/box M/Level |
| 14 # | 240356217 | A B C D | Heater-defrost |
| 15 # | 5303918274 | A B C D | Evaporator Kit |
| 16 | 5308000110 | A B C D | Strap-evap/heater, aluminum, (2) |
| 17 | 241801301 | A B C D | Trough-drain |
| 20 | 241551902 | A B C D | Insulation Block |
| 21 # | 5303918202 | A B C D | Thermostat-defrost, kit |
| 22 | 241602010 | A B C D | Base-compressor |
| 22* | 218252201 | A B C D | Screw, #8 truss hd, 10-32CA x 0.500 |
| 22* | 218709101 | A B C D | Screw, hex head, 10-32 x 0.500 |
| 23 | 241659701 | A B C D | Grommet, compressor |
| 25 | 240491503 | A B C D | Screw-compressor mtg, 1/4-28 x 1.16, (4) |
| 26 | 241637401 | A B C D | Pan-defrost |
| 29 # | 5303918359 | A B C D | Compressor, w/o electricals |
| 30 # | 241707701 | A B C D | Starter, PTC |
| 32 | 241650901 | A B C D | Clamp, elec cont mtg, compressor |
| 34 | 240405201 | A B C D | Grommet, rubber, black, cond tube/wire |
| 41 | 240555002 | A B C D | Screw-#8-32 X 3/8 |
| 44 | 215174700 | A B C D | Clamp-service cord, strain relief, galv steel |
| 45 | 5304455650 | A B C D | Screw, hex washer head, 8-15A x 0.625, low profile |
| 55 | 218909913 | A B C D | Capacitor, run, 220 VAC, 15 microfarad |
| 57 | 240542601 | A B C D | Clip-wiring harness |
| 58 | 240433203 | A B C D | Screw, hex washer head, 8-18 x 3/8 |
| 59 | 240315502 | A B C D | Shroud-cond fan |
| 59* | 240346701 | A B C D | Tape-foam seal, shroud |
| 59* | 240359403 | A B C D | Screw-fan shroud, (2) |
| 59A | 240346501 | A B C D | Bracket-support, cond mtr, (3) |
| 59B | 240346601 | A B C D | Grommet-bracket, (3) |
| 60 | 241584301 | A B C D | Motor-condenser fan |
| 61 | 241639501 | A B C D | Blade-condenser fan |
| 82 | 5304418225 | A B C D | Roller, compressor base, rear, (2) |
| 83 | 5304455655 | A B C D | Rivet, flat head, 1/4 OD x 1-3/4, roller pin |
| 85 | 240346201 | A B C D | Tube-connector, suction |
| 86 | 240409302 | A B C D | Spacer-cond tube, black |
| * | 240396801 | A B C D | Clamp, tube/wiring, nylon, black/natural |
| * # | 5303918330 | A B C D | Heat Exchanger Kit, suction line, service |
| * # | 5304421289 | A B C D | Hot Tube Repair Kit, service |

WIRING SCHEMATIC



WIRING DIAGRAM

