

Frigidaire

Factory Parts Catalog

| | |
|--------------------|---------------|
| Product No. | PHSC39EJSS0 |
| Series | Professional |
| Color | stainless |
| Volts | 115 |
| Wiring Diagram | 241638600 |
| Owner's Guide | 241857500 |
| Market | North America |
| Energy Guide | 241868031 |
| Service Data Sheet | 241639000 |

 **Electrolux**

Electrolux Major Appliances
North & Latin America
P.O. BOX 212378
AUGUSTA, GA 30917

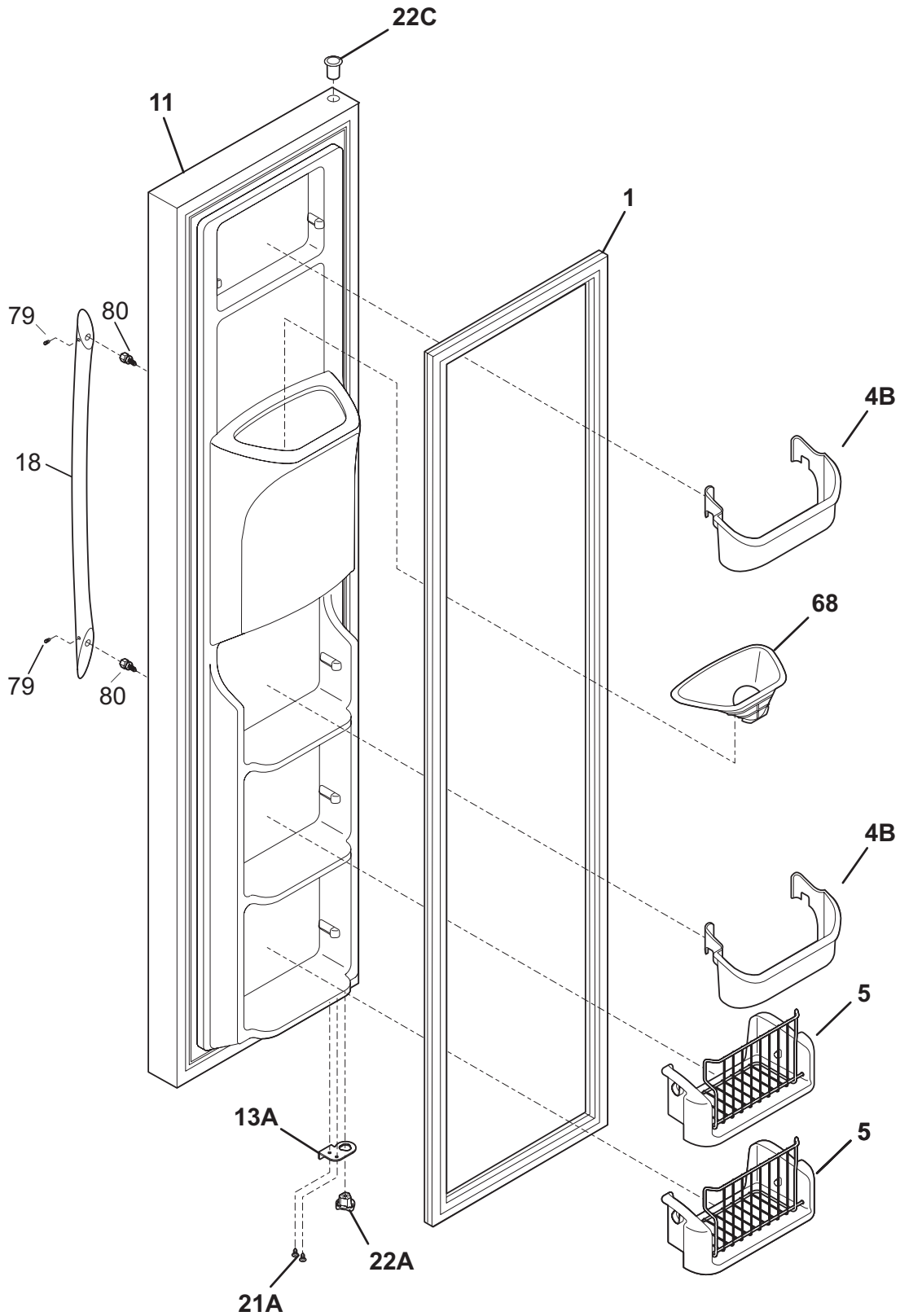
Publication No.
5995509915
08/03/24
(EN/SERVICE/KHB)
137

**SIDE-BY-SIDE
REFRIGERATOR**

Model No.
PHSC39EJS

Copyright © 2008 Electrolux Home Products, Inc.
All rights reserved.

FREEZER DOOR

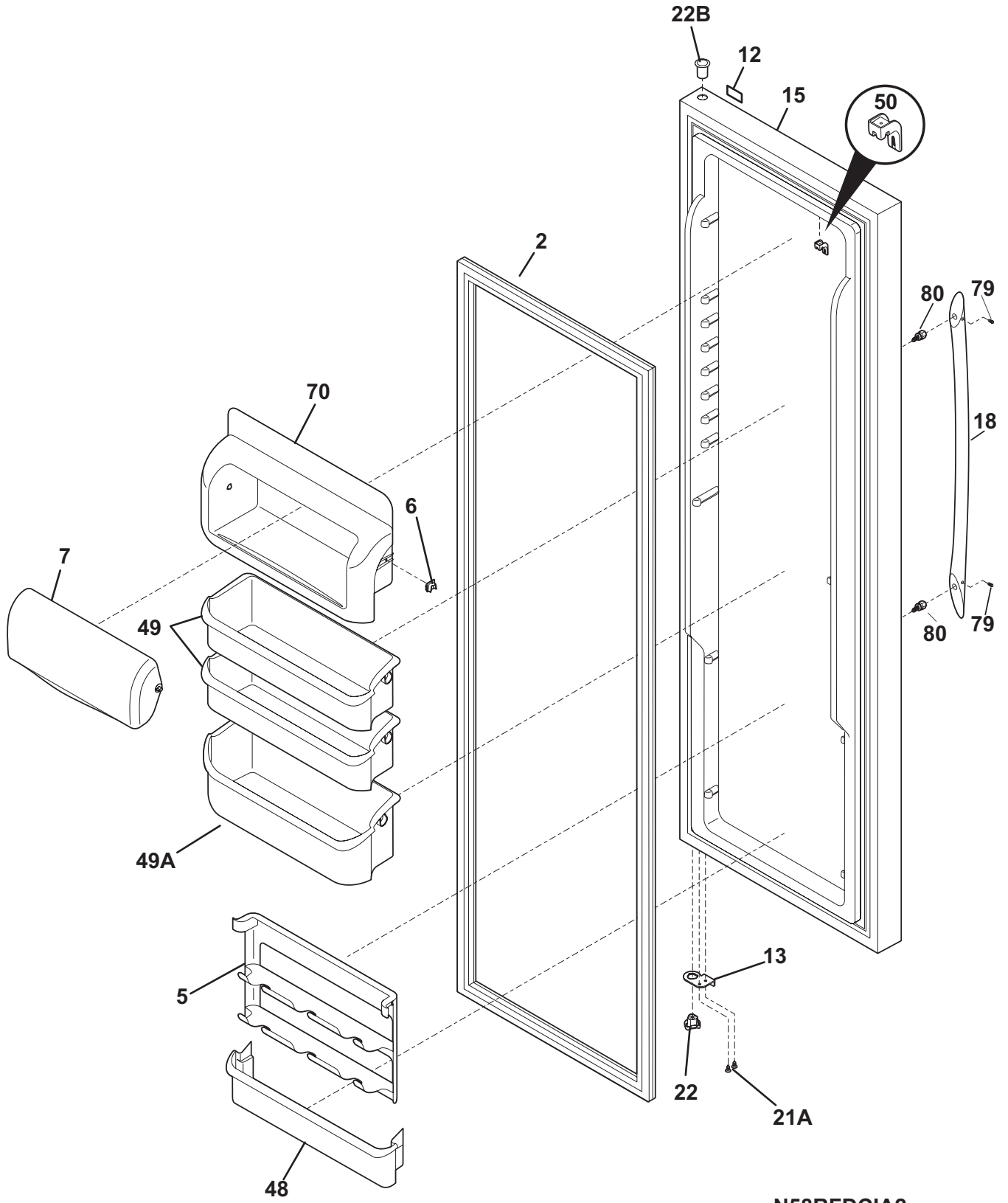


N58FFDBG1

FREEZER DOOR

| POS. NO | PART NO. | DESCRIPTION |
|---------|------------|--------------------------------------------------------|
| 1 # | 241510202 | Gasket-frzr door, white, magnetic |
| 4B | 241808217 | Bin-door, pseudo, frzr |
| 5 | 241545001 | Bin-tilt out, tilt-out |
| 11 | 241615174 | Door-frzr, stainless, complete assy |
| 13A | 240581906 | Door Stop, black, frzr |
| 18 | 240536818 | Handle-door, stainless steel, with insert, & set screw |
| 18* | 241601001 | Wrench, allen |
| 21A | 240598402 | Screw, 10-32 x 1/2 |
| 22A | 240328204 | Bearing-hinge(frz), black, closer |
| 22C | 240328404 | Bearing-hinge, black, upper |
| 68 | 241525101 | Chute-ice |
| 79 | 218755402 | Screw-set, 10-32 x 0.375 |
| 80 | 218755504 | Screw-shoulder, #10 AB, handle mounting |
| * | 240451503 | Screw, ind hex wshr hd, 8-32 x 0.375, trilobe |
| * | 240552102 | Harness-wiring, door |
| * | 241806601 | Connector-water, straight |
| * | 5303918256 | Dispenser heater kit |

REFRIGERATOR DOOR

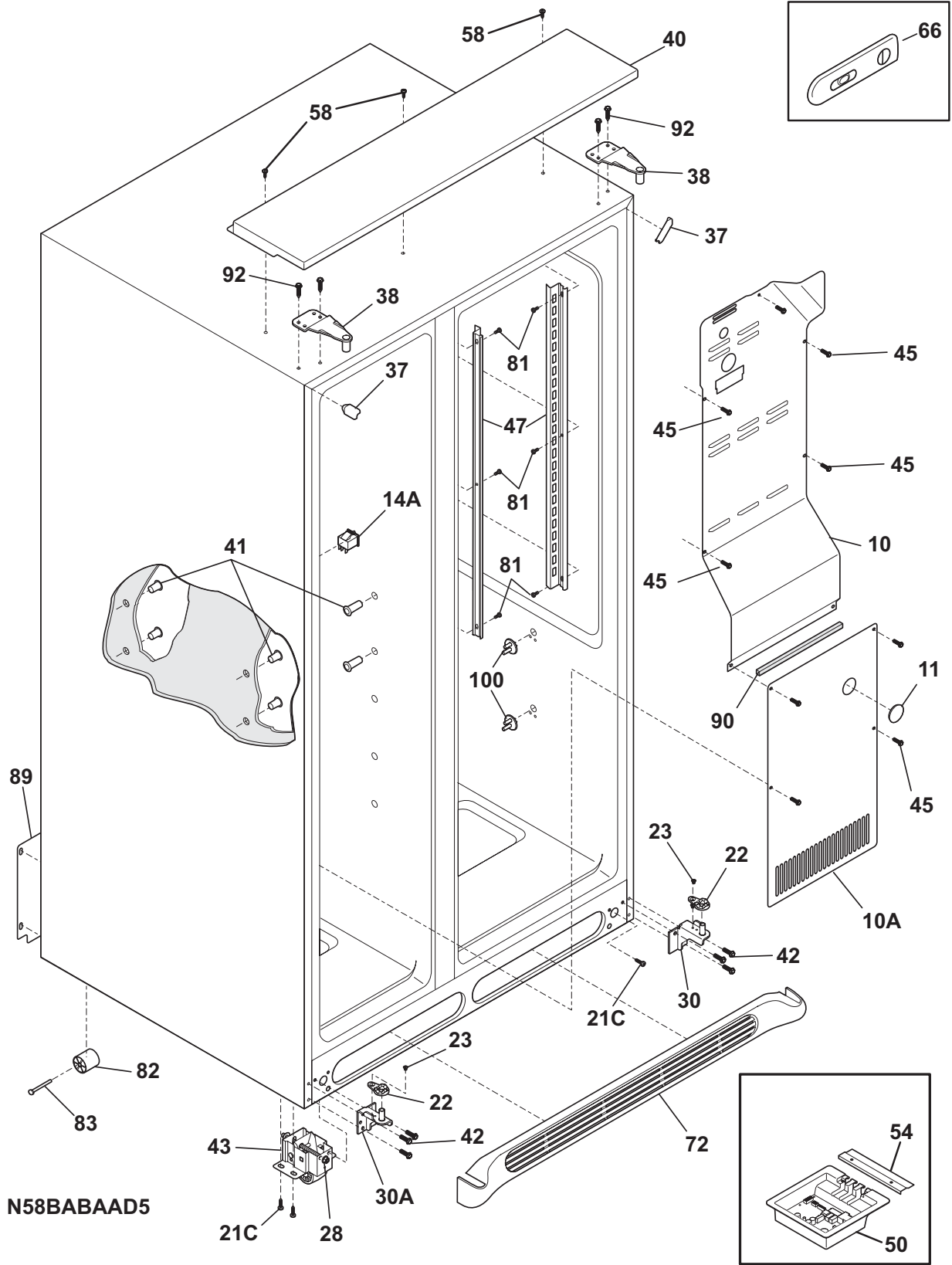


N58RFDCIA2

REFRIGERATOR DOOR

| POS. NO | PART NO. | DESCRIPTION |
|---------|-----------|--------------------------------------------------------|
| 2 # | 241510201 | Gasket-refr door, white, magnetic |
| 5 | 241516102 | Rack-can |
| 6 | 241515901 | Lug-dairy compartment |
| 7 | 241515601 | Door-dairy |
| 12 | 241808801 | Label-nameplate |
| 13 | 240581905 | Door Stop, black, ref |
| 15 | 241534533 | Door-refr, stainless, complete assy |
| 18 | 240536818 | Handle-door, stainless steel, with insert, & set screw |
| 18* | 241601001 | Wrench, allen |
| 21A | 240598402 | Screw, 10-32 x 1/2 |
| 22 | 240328203 | Bearing-hinge, black, closer |
| 22B | 240328404 | Bearing-hinge, black, upper |
| 48 | 241808208 | Bin-door, ref |
| 49 | 241808214 | Bin-door, 2-liter |
| 49* | 241779901 | Liner, bin, 2 liter |
| 49A | 241808211 | Bin-door, gallon |
| 49A* | 241780001 | Liner, bin, gallon |
| 50 | 241508401 | Cover-magnet |
| 70 | 241515801 | Compartment-dairy, removable |
| 79 | 218755402 | Screw-set, 10-32 x 0.375 |
| 80 | 218755504 | Screw-shoulder, #10 AB, handle mounting |

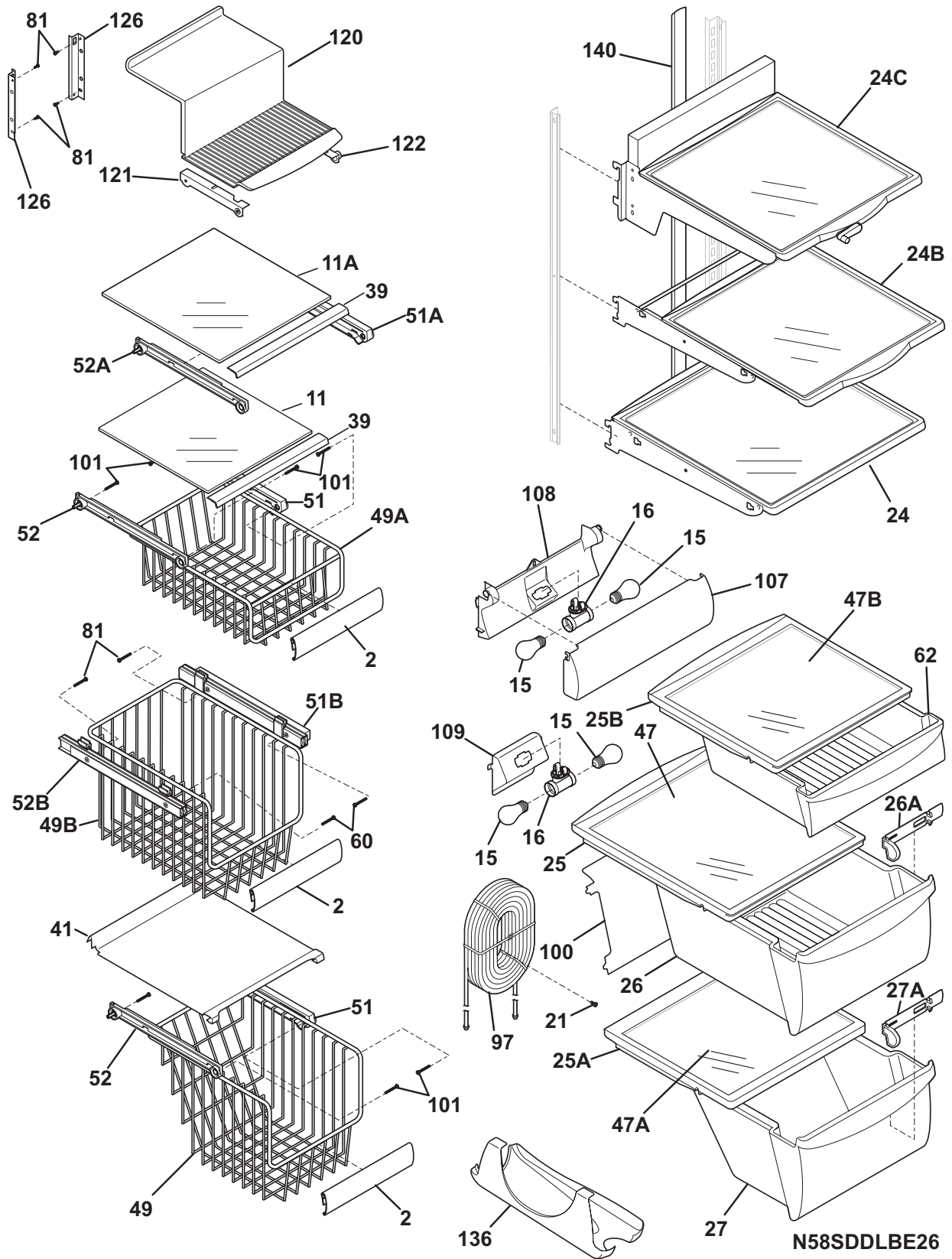
CABINET



CABINET

| POS. NO | PART NO. | DESCRIPTION |
|---------|------------|----------------------------------------------------------------|
| 10 | 241509804 | Cover-air duct |
| 10A | 241719711 | Cover-evap coil, lower |
| 11 | 5303208309 | Plug-hole, factory test |
| 14A | 241547901 | Switch-light/lamp, frizr door |
| 21C | 218252201 | Screw, #8 truss hd, 10-32CA x 0.500 |
| 22 | 240457702 | Plate-door closer |
| 23 | 240402702 | Screw-#10-32 x 1/4 flat hd |
| 28 | 240335502 | Bolt-roller adj, hex washer head, 1/4-20 x 4.020, (2), special |
| 30 | 241603703 | Bracket-lower hinge, ref |
| 30A | 241603704 | Bracket-lower hinge |
| 37 | 240337612 | Trim-cabinet corner, nickeloid, (2) |
| 38 | 240327207 | Bracket-upper hinge |
| 40 | 241555105 | Cover-upper hinge, light gray |
| 41 | 241550801 | Grommet-shelf mtg, 1.40" long |
| 41* | 241550701 | Grommet-shelf mtg, .96" long |
| 42 | 240578902 | Screw, hex head, 1/4-20 x 5/8 |
| 43 | 240335005 | Roller Assy, adjustable, front, (2) |
| 45 | 241500303 | Screw, hex washer head, 8-18AB x 0.500 |
| 47 | 241513001 | Channel-shelf mtg, side, (2) |
| 50 | 241511102 | Board-main power |
| 50* | 241524801 | Seal-Mother Board Housing |
| 50* | 241532501 | Clip-harness |
| 54 | 241532401 | Channel |
| 58 | 218781101 | Screw, pan head, 8-18 x 0.625 |
| 66 | 241513601 | Damper Assy |
| 72 | 240324414 | Grille/Kickplate, metallic gray |
| 81 | 5304455650 | Screw, hex washer head, 8-15A x 0.625, low profile |
| 82 | 5304418225 | Roller, compressor base, rear, (2) |
| 83 | 5304455655 | Rivet, flat head, 1/4 OD x 1-3/4, roller pin |
| 89 | 241733902 | Cover-access, w/label |
| 90 | 218249808 | Seal-coil cover |
| 92 | 241710601 | Screw, hex washer hd, 1/4 x 7/8, hinge mtg |
| 100 | 240423701 | Support, crisper cover, front, (4) |
| 100* | 240350802 | Support, crisper cover, rear, (4) |
| * | 241591701 | Louver |

SHELVES

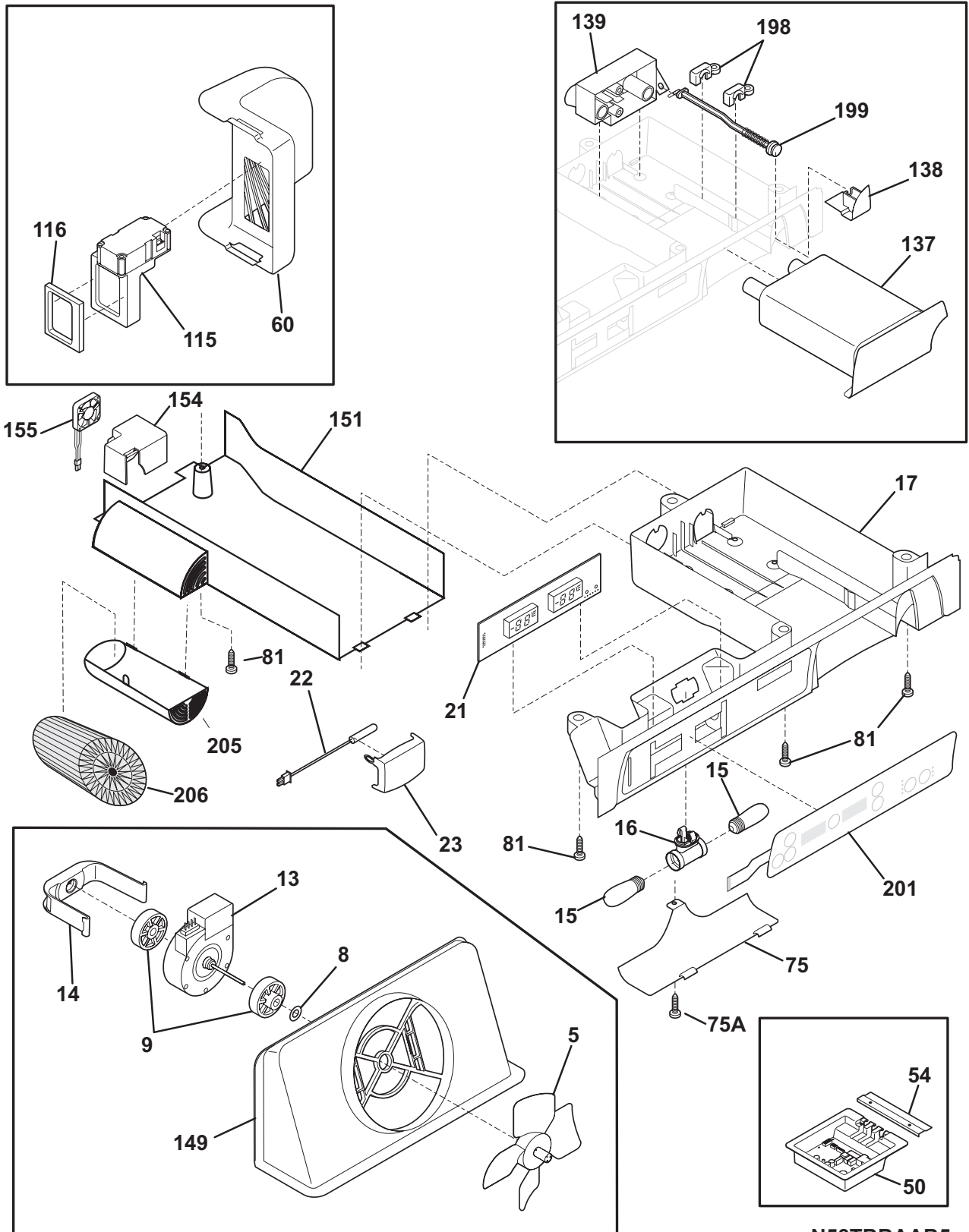


N58SDDLBE26

SHELVES

| POS. NO | PART NO. | DESCRIPTION |
|---------|------------|-----------------------------------------------------|
| 2 | 241510605 | Trim-basket |
| 11 | 241711213 | Shelf-freezer, glass, lower |
| 11A | 241711214 | Shelf-freezer, glass, upper |
| 15 | 241552801 | Light Bulb |
| 16 | 241622802 | Socket-light |
| 16* | 241513102 | Harness-wiring |
| 21 | 5304455658 | Screw, hx wshr hd sems, 8-15A x 0.625 |
| 24 | 240355239 | Shelf-"Spill-Safe", fixed |
| 24B | 240350126 | Shelf-"Spill-Safe", cantilever, sliding |
| 24C | 240424606 | Shelf-"Spill-Safe", sliding, "Aspect", complete |
| 25 | 240599302 | Cover-crisper pan, upper |
| 25* | 240362101 | Clip-slide, cover-crisper |
| 25A | 240350902 | Cover-crisper pan, lower |
| 25B | 240599801 | Cover-meat pan |
| 26 | 240351042 | Pan-crisper, upper |
| 26* | 240349801 | Clip-slide, pan-crisper |
| 26* | 240423301 | Divider-crisper pan |
| 26A | 241638201 | Control-humidity |
| 26A* | 241595202 | Clip-slide, pan-crisper |
| 26A* | 241638101 | Frame-humidity control |
| 27 | 240351219 | Pan-crisper, lower |
| 27A | 240362201 | Control-humidity |
| 39 | 240367603 | Trim-shelf, 11.65", front |
| 41 | 241637601 | Baffle-air |
| 47 | 240350602 | Insert-pan cover, glass |
| 47A | 240350603 | Insert-pan cover, glass |
| 47B | 240443352 | Insert-pan cover, glass |
| 49 | 241515001 | Basket-sliding |
| 49A | 241528001 | Basket-sliding, upper, half |
| 49B | 241514901 | Basket-sliding, upper, full |
| 51 | 241514501 | Hanger-basket, RH |
| 51A | 241514701 | Hanger-shelf glass, RH |
| 51B | 240579803 | Hanger-basket, RH |
| 52 | 241514601 | Hanger-basket, LH |
| 52A | 241514801 | Hanger-shelf glass, LH |
| 52B | 240579804 | Hanger-basket, LH |
| 60 | 218362501 | Screw, hex washer head, 8-18AB x 1.250, spacer, (2) |
| 62 | 240599703 | Pan-meat |
| 81 | 5304455650 | Screw, hex washer head, 8-15A x 0.625, low profile |
| 97 | 241532005 | Water Tank |
| 100 | 240326304 | Cover-water tank |
| 101 | 218493101 | Screw, hex washer head, 8-18AB x 1-3/4 |
| 107 | 241513402 | Shield-light, meat pan |
| 108 | 241513301 | Cover-wiring, meat pan light |
| 109 | 241513202 | Base-crisper light socket |
| 120 | 241691701 | Shelf-ice cream |
| 121 | 241504701 | Rail-ice cream shelf, LH |
| 122 | 241504702 | Rail-ice cream shelf, RH |
| 126 | 241674401 | Channel, auger mtg, LH |
| 126 | 241674402 | Channel, auger mtg, RH |
| 136 | 241657702 | Dispenser-can, clear |
| 140 | 240430505 | Channel, wtr tube cover |
| * | 241868031 | Energy Guide |

CONTROLS

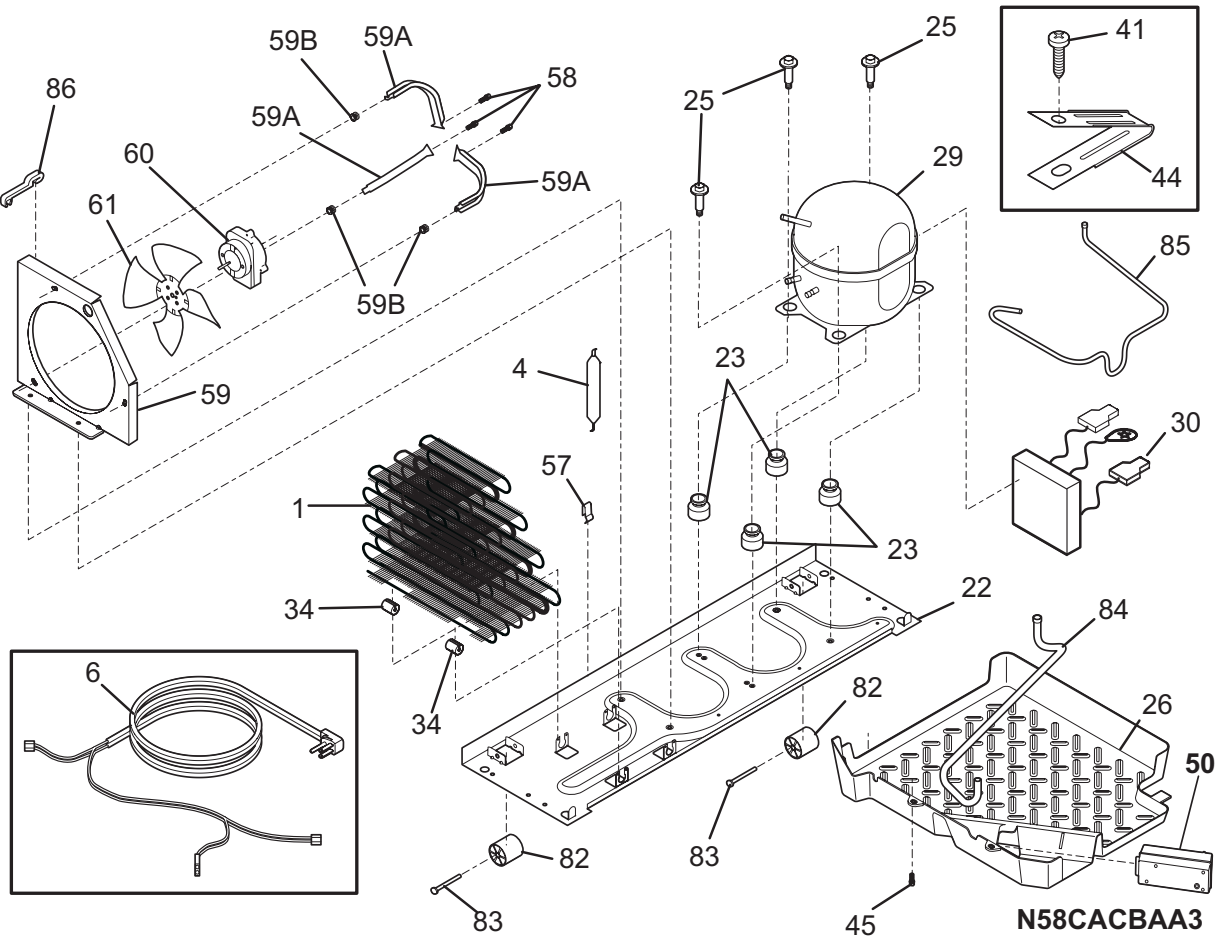
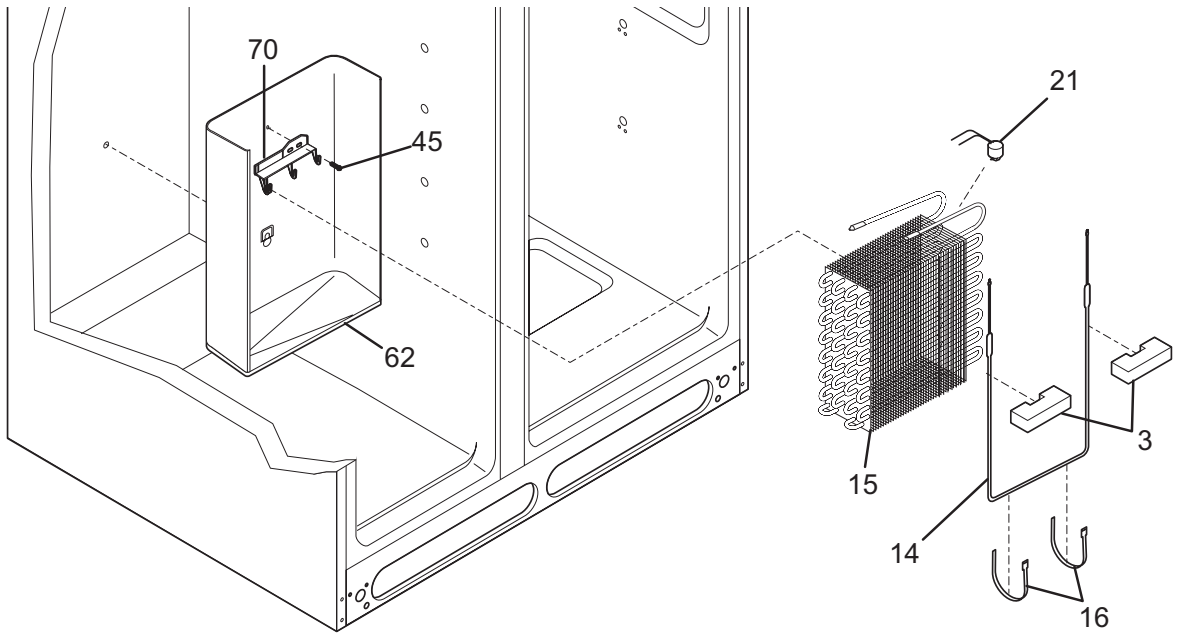


N58TBBAAB5

CONTROLS

| POS. NO | PART NO. | DESCRIPTION |
|---------|------------|-----------------------------------------------------|
| 5 # | 5308000010 | Fan Blade, red, evaporator fan |
| 8 | 215474201 | Washer, "slinger", nylon, evap fan shaft |
| 9 | 241518301 | Bushing, motor mounting |
| 13 | 241509402 | Motor, evaporator fan |
| 13* | 241510501 | Seal-diffuser |
| 14 | 241517701 | Clip, evap fan motor |
| 15 | 241552801 | Light Bulb |
| 16 | 241622802 | Socket-light |
| 17 | 241516201 | Box-control, front |
| 17*# | 241510801 | Harness-wiring |
| 21 # | 240596703 | Control, electronic |
| 22 | 240597203 | Sensor |
| 23 | 241512901 | Cover-sensor |
| 50 | 241511102 | Board-main power |
| 50* | 241524802 | Seal, housing |
| 50* | 241532501 | Clip-harness |
| 54 | 241532401 | Channel |
| 60 | 241510301 | Diffuser-air |
| 75 | 241517802 | Shield-light |
| 75A | 5304455650 | Screw, hex washer head, 8-15A x 0.625, low profile |
| 81 | 5304455658 | Screw, hx wshr hd sems, 8-15A x 0.625 |
| 115 | 241518501 | Damper, motorized |
| 116 | 241518601 | Seal-damper, foam |
| 137 | 240396401 | Filter, water, carbon cassette, front, with o'rings |
| 137* | 240396701 | Bypass, water filter, Optional Part |
| 138 | 240397301 | Button-filter release |
| 139 | 240396002 | Base-water filter |
| 139* | 240526901 | O-ring, wtr filter base |
| 149 | 241517601 | Shroud-evap fan mtg |
| 149* | 241528304 | Seal, foam, evap fan assy |
| 151 | 241526001 | Filter housing |
| 154 | 241525801 | Duct-air |
| 155 | 241526102 | Motor-air filter |
| 155* | 241527202 | Harness-wiring, filter fan |
| 198 | 240397401 | Retainer |
| 199 | 240397501 | Rod |
| 199* | 240398401 | Spring-filter release rod |
| 201 | 241816701 | Switch-membrane |
| 205 | 241525901 | Air Filter Door |
| 206 | 241504902 | Filter-air |
| * | 3205266 | Edge Protector, wiring harness |
| * | 241537401 | Shield |

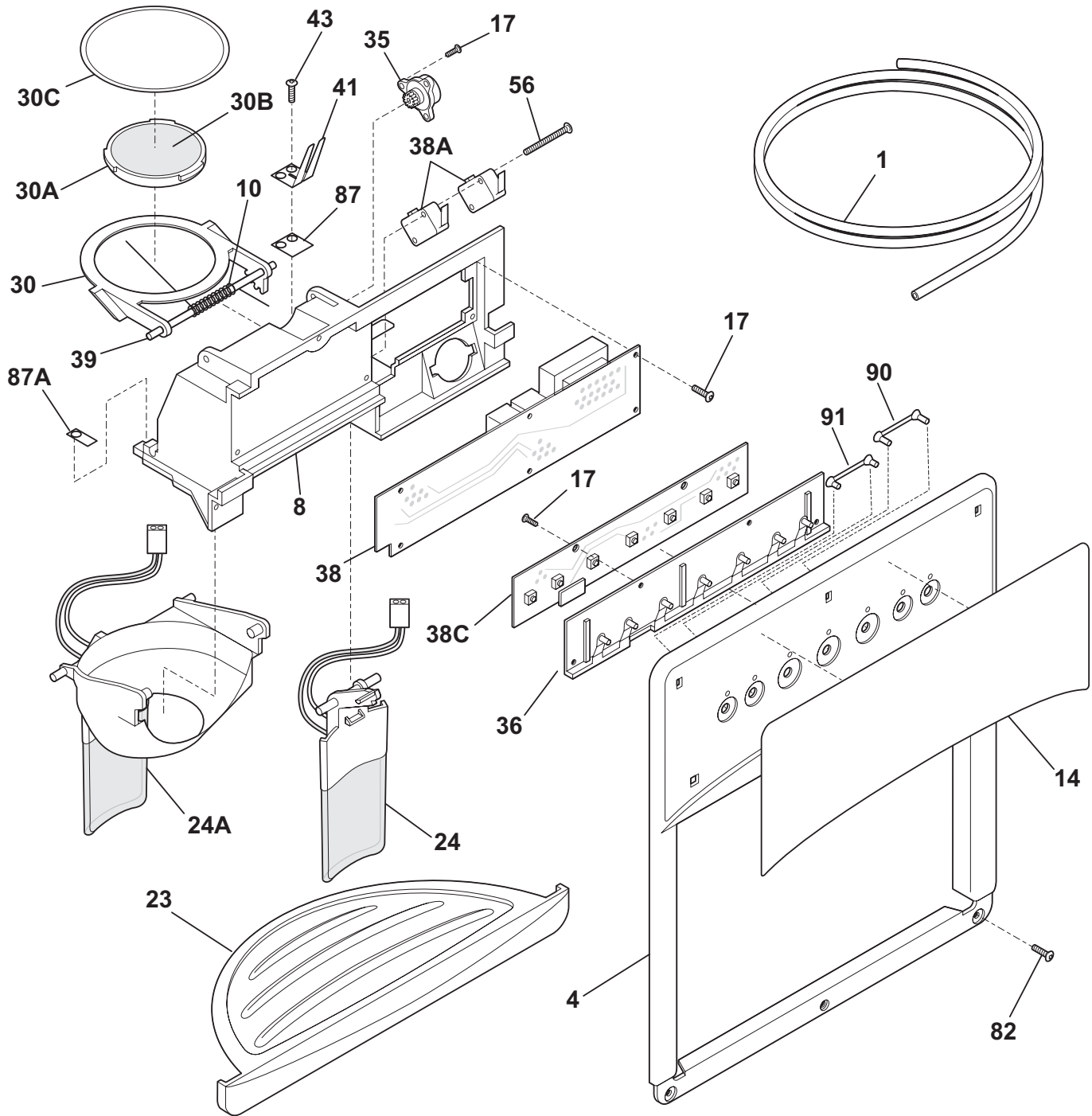
SYSTEM



SYSTEM

| POS. NO | PART NO. | DESCRIPTION |
|---------|------------|----------------------------------------------------|
| 1 # | 240333605 | Condenser |
| 3 | 218679607 | Block-evap coil, styrofoam, (2) |
| 4 # | 218944001 | Drier-filter, R134a System |
| 6 # | 241516901 | Cord-service |
| 6* # | 241636203 | Harness-wiring, machine compt |
| 6* # | 241519902 | Harness-wiring |
| 6* # | 241527202 | Harness-wiring, filter fan |
| 6* # | 241510802 | Harness-wiring, control box |
| 14 # | 240316107 | Heater-defrost |
| 15 # | 5303918284 | Evaporator Kit |
| 16 | 5308000110 | Strap-evap/heater, aluminum, (2) |
| 21 # | 5303918214 | Thermostat-defrost, kit |
| 22 | 240330011 | Base-compressor mtg |
| 22* | 218252201 | Screw, #8 truss hd, 10-32CA x 0.500 |
| 23 | 218513300 | Grommet-compr mtg, (4) |
| 25 | 240491503 | Screw-compressor mtg, 1/4-28 x 1.16, (4) |
| 26 | 241697501 | Pan-defrost drain |
| 29 # | 241547601 | Compressor, w/electricals |
| 30 # | 241577501 | Invertor |
| 34 | 240405201 | Grommet, rubber, black, cond tube/wire |
| 41 | 240555002 | Screw-#8-32 X 3/8 |
| 44 | 215174700 | Clamp-service cord, strain relief, galv steel |
| 45 | 5304455650 | Screw, hex washer head, 8-15A x 0.625, low profile |
| 50 | 241635501 | Housing-control, apollo lighting |
| 50* | 241641501 | Screw |
| 57 | 240542601 | Clip-wiring harness |
| 58 | 240433203 | Screw, hex washer head, 8-18 x 3/8 |
| 59 | 240315502 | Shroud-cond fan |
| 59* | 240346701 | Tape-foam seal, shroud |
| 59* | 240359403 | Screw-fan shroud, (2) |
| 59A | 240346501 | Bracket-support, cond mtr, (3) |
| 59B | 240346601 | Grommet-bracket, (3) |
| 60 # | 241584301 | Motor-condenser fan |
| 61 | 241639501 | Blade-condenser fan |
| 62 | 240429402 | Trough-drain |
| 70 | 218990801 | Bracket-evap/cvr mtg |
| 82 | 5304418225 | Roller, compressor base, rear, (2) |
| 83 | 5304455655 | Rivet, flat head, 1/4 OD x 1-3/4, roller pin |
| 84 | 5304421068 | Tube-drain, lower |
| 85 | 241719501 | Tube-connector, suction |
| 86 | 240409302 | Spacer-cond tube, black |
| * # | 5303918327 | Heat Exchanger Kit, suction line |
| * | 5303918222 | Hot Tube Repair Kit, service |

ICE & WATER DISPENSER

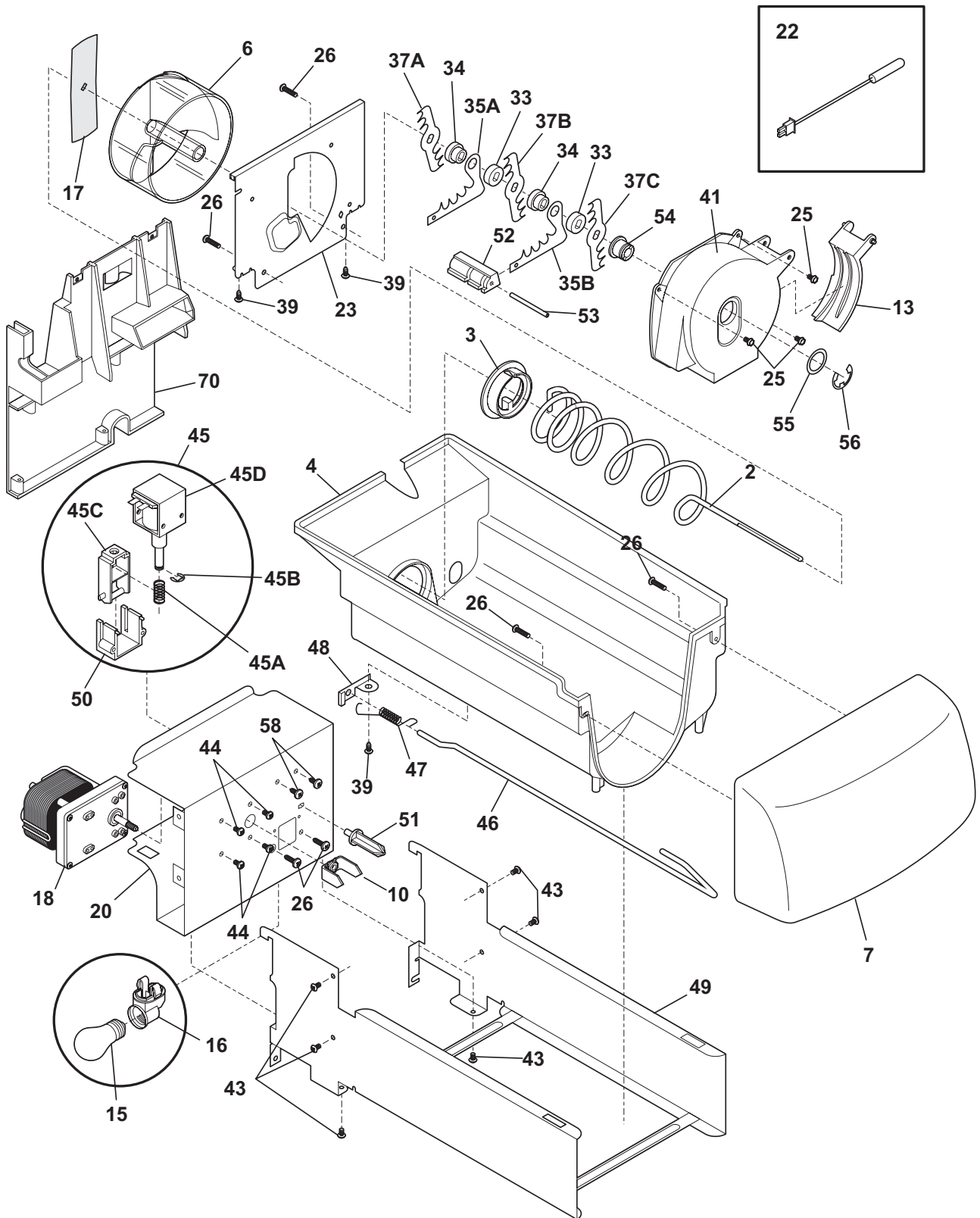


N58XEAAA1

ICE & WATER DISPENSER

| POS. NO | PART NO. | DESCRIPTION |
|---------|------------|---------------------------------------------|
| 1 | 218976409 | Tube, water, door |
| 1* | 218976915 | Tube-water inlet, inlet valve, to filter |
| 1* | 218976418 | Tube-water inlet, inlet valve, to filter |
| 1* | 218976421 | Tube-water inlet, valve to door |
| 1* | 240561702 | Seal-water inlet, inlet valve, to ice maker |
| 4 | 241678710 | Cover-module, silver metallic |
| 8 | 241680504 | Module-dispenser |
| 10 | 241688901 | Spring-torsion |
| 14 | 241611218 | Label-module cover, silver metallic |
| 17 | 241679801 | Screw |
| 23 | 241649005 | Drip Tray, silver metallic |
| 24 | 241685704 | Actuator, stainless |
| 24A | 241682304 | Actuator-ice, stainless |
| 30 | 241688401 | Door Assy-ice chute |
| 30A | 241688501 | Door center |
| 30B | 241688601 | Insulation-door |
| 30C | 241688701 | Door seal |
| 35 | 241689301 | Damper-rotary |
| 36 | 241680301 | Carrier |
| 38 | 241527601 | Board-power |
| 38A# | 241689101 | Switch-micro, single pole, double throw |
| 38C# | 241708307 | Board-control |
| 38C* | 241680001 | Harness-ribbon cable |
| 39 | 241688801 | Pin-hinge |
| 41 | 241689001 | Spring-actuator |
| 43 | 215296301 | Screw, plask h/l, #6 x 3/8 |
| 56 | 241689201 | Screw-micro switch, pan head |
| 82 | 240363402 | Screw-#8-18 X 1/2, #6 hd plask |
| 87 | 241688302 | Bearing Plate |
| 87A | 241688301 | Bearing Plate |
| 90 | 241680201 | Light Pipe, reflector, long |
| 91 | 241680101 | Light Pipe, reflector, short |
| * | 218515403 | Clip-grille |
| * | 241686201 | Insulator-electrical |
| * | 5303918256 | Dispenser heater kit |

ICE CONTAINER

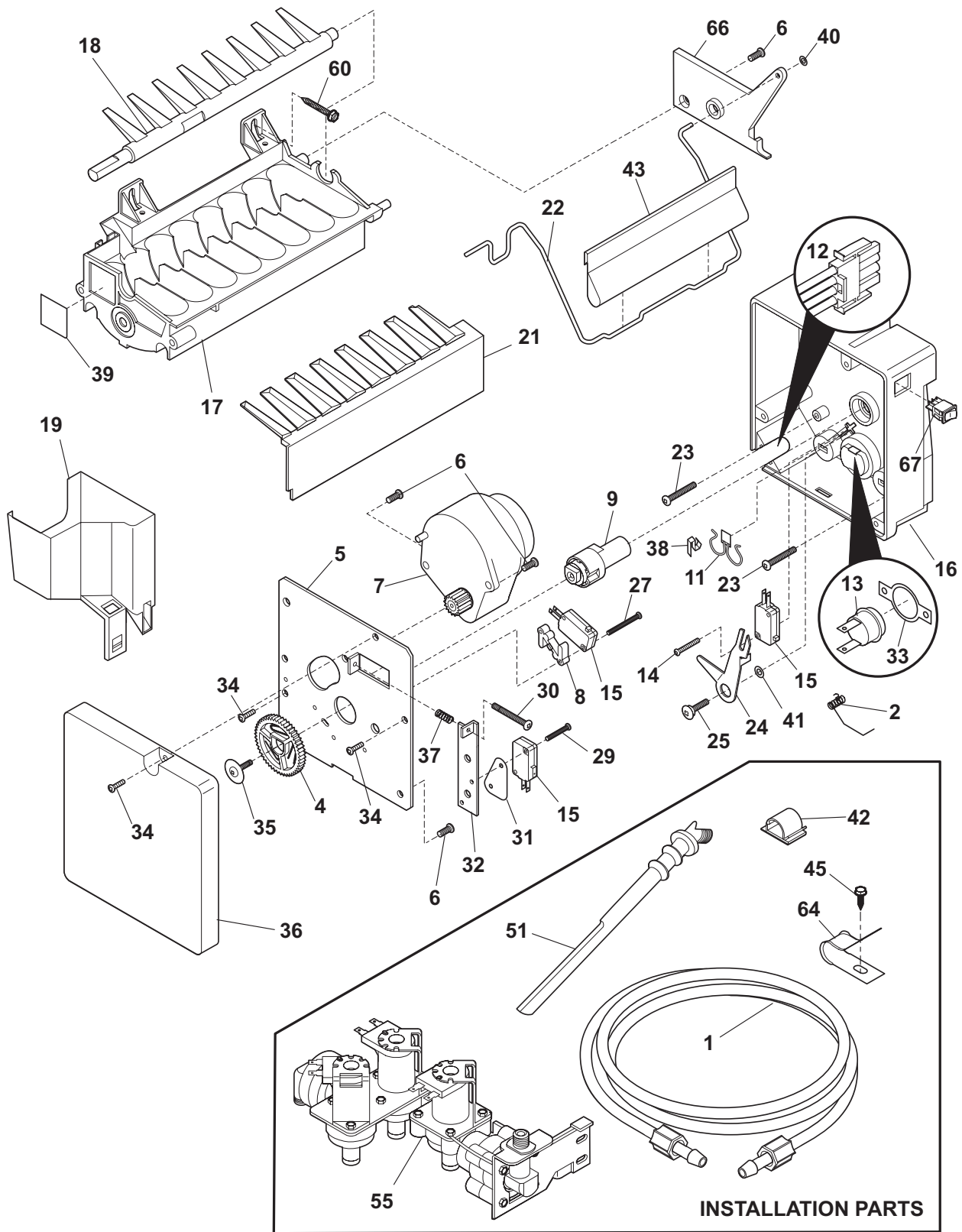


N58YDAAAC5

ICE CONTAINER

| POS. NO | PART NO. | DESCRIPTION |
|---------|-----------|---------------------------------------|
| 2 | 241684701 | Auger-ice |
| 3 | 241685201 | Cam-drive |
| 4 | 241515202 | Container-ice, bucket only |
| 6 | 241685101 | Drum-ice disp |
| 7 | 241515301 | Front-ice container |
| 10 | 241726501 | Bar-drive |
| 13 | 241685301 | Gate |
| 15 | 241555401 | Light Bulb |
| 16 | 241559801 | Socket-light |
| 17 | 241684501 | Drive Blade |
| 18 # | 241676201 | Motor-auger |
| 18* | 241522901 | Harness-wiring, icmkr/container |
| 20 | 241675502 | Cover-motor |
| 22 | 240597201 | Sensor |
| 22* | 241519401 | Clip, sensor |
| 23 | 241684001 | Plate-front |
| 25 | 241690701 | Screw, hex washer head, 8-32T x 0.375 |
| 26 | 215503205 | Screw, cr pan hd, 10-16 x 0.500 |
| 33 | 241684801 | Spacer |
| 34 | 241689801 | Spacer |
| 35A | 241684301 | Fixed Blade, round |
| 35B | 241684201 | Fixed Blade, square |
| 37A | 241684101 | Blade, crusher #1 |
| 37B | 241684102 | Blade, crusher #2 |
| 37C | 241684103 | Blade, crusher #3 |
| 39 | 241690501 | Screw |
| 41 | 241685601 | Housing-crusher |
| 43 | 215005101 | Screw, hanger/rlr mtg, 8-10 x 7/16 |
| 44 | 241842101 | Screw, 8-32 x 1/4 |
| 45 # | 241675701 | Solenoid Assy, 115V |
| 45A | 241675901 | Spring-solenoid |
| 45B | 241676001 | E-Ring-solenoid |
| 45C | 241676101 | Actuator-solenoid |
| 45D# | 241675801 | Solenoid, 115V |
| 46 | 241684402 | Control Rod |
| 47 | 241731801 | Spring-control rod |
| 48 | 241684602 | Bracket-control rod |
| 49 | 241676501 | Rail Assy |
| 50 | 241675601 | Guide-solenoid |
| 51 | 241676301 | Rotation Stop |
| 52 | 241684901 | Spacer-fixed blades |
| 53 | 241690402 | Pin-spiral, fixed blades |
| 54 | 241685001 | Nut-auger |
| 55 | 241690306 | Washer |
| 56 | 241690201 | E-ring |
| 58 | 218359202 | Screw, pan head, 8-32 x 0.250 |
| 70 | 241504601 | Plate-mounting |
| 70* | 241551602 | Screw, hex head, 8-18B x 0.875 |
| 70* | 241716801 | Clip |
| * | 240562101 | Insulator |
| * | 241914702 | Ice Container Assy |

ICE MAKER



N58115TServo

ICE MAKER

| POS. NO | PART NO. | DESCRIPTION |
|---------|------------|-----------------------------------------------------|
| 1 | 218976409 | Tube, water, door |
| 1* | 218976418 | Tube-water inlet, inlet valve, to filter |
| 1* | 218976421 | Tube-water inlet, valve to door |
| 1* | 218976915 | Tube-water inlet, inlet valve, to filter |
| 1* | 240561702 | Seal-water inlet, inlet valve, to ice maker |
| 2 | 5304459922 | Spring, shut-off arm |
| 4 | 5304458380 | Gear |
| 5 | 5304458383 | Plate-mounting |
| 6 | 5304458386 | Screw |
| 7 # | 5304458382 | Motor-ice maker Svo |
| 8 | 5304458388 | Spacer-hold switch |
| 9 | 5304456662 | Cam |
| 11 # | 5304458400 | Thermal Cutoff, ice maker |
| 12 | 5304458379 | Harness-wiring |
| 13 | 5304456665 | Thermostat, ice maker |
| 14 | 5304458384 | Screw |
| 15 # | 5304456667 | Switch-micro, (3) |
| 16 | 5304458395 | Housing, control |
| 17 | 5304456669 | Mold-ice maker, w/therm cut off |
| 18 | 5304458377 | Ejector-ice |
| 19 | 5304458378 | Cup-water inlet |
| 21 | 5304458390 | Ice Stripper |
| 22 | 5304458375 | Shut-off Arm |
| 23 | 5304458394 | Screw |
| 24 | 5304458391 | Lever Arm |
| 25 | 5304456676 | Screw, M 4x12.8 #2, lever arm/sprt |
| 27 | 5304458385 | Screw |
| 29 | 5304458393 | Screw |
| 30 | 5304458387 | Screw |
| 31 | 5304458381 | Insulator |
| 32 | 5304456681 | Plate-valve switch |
| 33 | 5304458403 | Retainer-thermostat |
| 34 | 5304456678 | Screw, M 3x12 #3, (2) |
| 35 | 5304456684 | Screw |
| 36 | 5304458376 | Cover-ice maker |
| 37 | 5304456682 | Spring, timing adjust |
| 38 | 5304458398 | Clip |
| 39 | 5304458399 | Conductor-heat |
| 40 | 5304458401 | Clip-retainer |
| 41 | 5304458389 | Screw |
| 42 | 218515403 | Clip-grille |
| 43 | 241720601 | Extension |
| 45 | 5304455650 | Screw, hex washer head, 8-15A x 0.625, low profile |
| 51 | 241796402 | Tube-water fill, extension |
| 55 # | 241734301 | Valve-water, triple solenoid |
| 55* | 218709101 | Screw, hex head, 10-32 x 0.500 |
| 55* | 240363602 | Screw-shoulder |
| 55* | 240542901 | Cap-water valve |
| 60 | 218362501 | Screw, hex washer head, 8-18AB x 1.250, spacer, (2) |
| 64 | 5304455846 | Clamp, .31 ID, steel, water tube |
| 66 | 5304458374 | Bracket-ice maker |
| 67 | 5304458392 | Switch-on/off |
| * | 5304456660 | Screw, M 4x6 #2 |
| * | 241583301 | Deflector-air, ice maker |
| * | 241806601 | Connector-water, straight |
| * | 5304456689 | Washer, nylon |
| * # | 241709801 | Ice Maker, radius cube, 115 V, no instl parts |

WIRING DIAGRAM

