

Frigidaire

Factory Parts Catalog

Product No.	PHT189WHKM1	PHT189WHKM2	PHT189WHSM1	PHT189WHSM2
Series	R134a	R134a	R134a	R134a
Color	stain/sm (LH)	stain/sm (LH)	stain/sm (RH)	stain/sm (RH)
Volts	115	115	115	115
Wiring Diagram	241582401	241582401	241582401	241582401
Owner's Guide	241815000	241815000	241815000	241815000
Market	North America	North America	North America	North America
Energy Guide	241768161	241768161	241768160	241768160
Service Data Sheet	241588203	241588203	241588203	241588203
Installation Instructions	241567800	241567800	241567800	241567800



Electrolux Major Appliances
 North & Latin America
 P.O. BOX 212378
 AUGUSTA, GA 30917

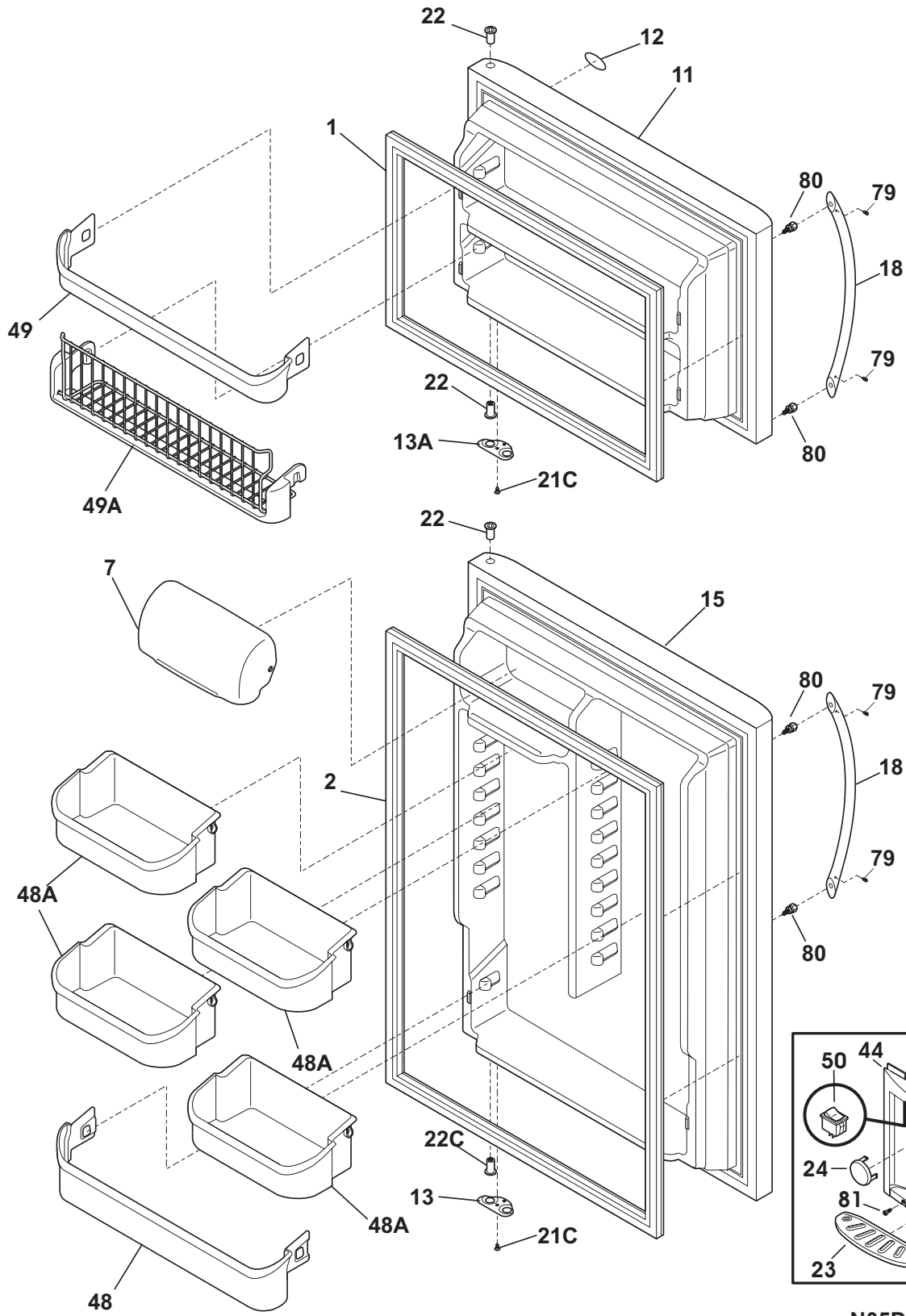
Publication No.
5995489282
 07/04/20
 (EN/SERVICE/KHB)
 390

**TOP-MOUNT
 REFRIGERATOR WITH
 ICE-MAKER**

**Model No.
 PHT189WH**

Copyright © 2007 Electrolux Home Products, Inc.
 All rights reserved.

DOOR



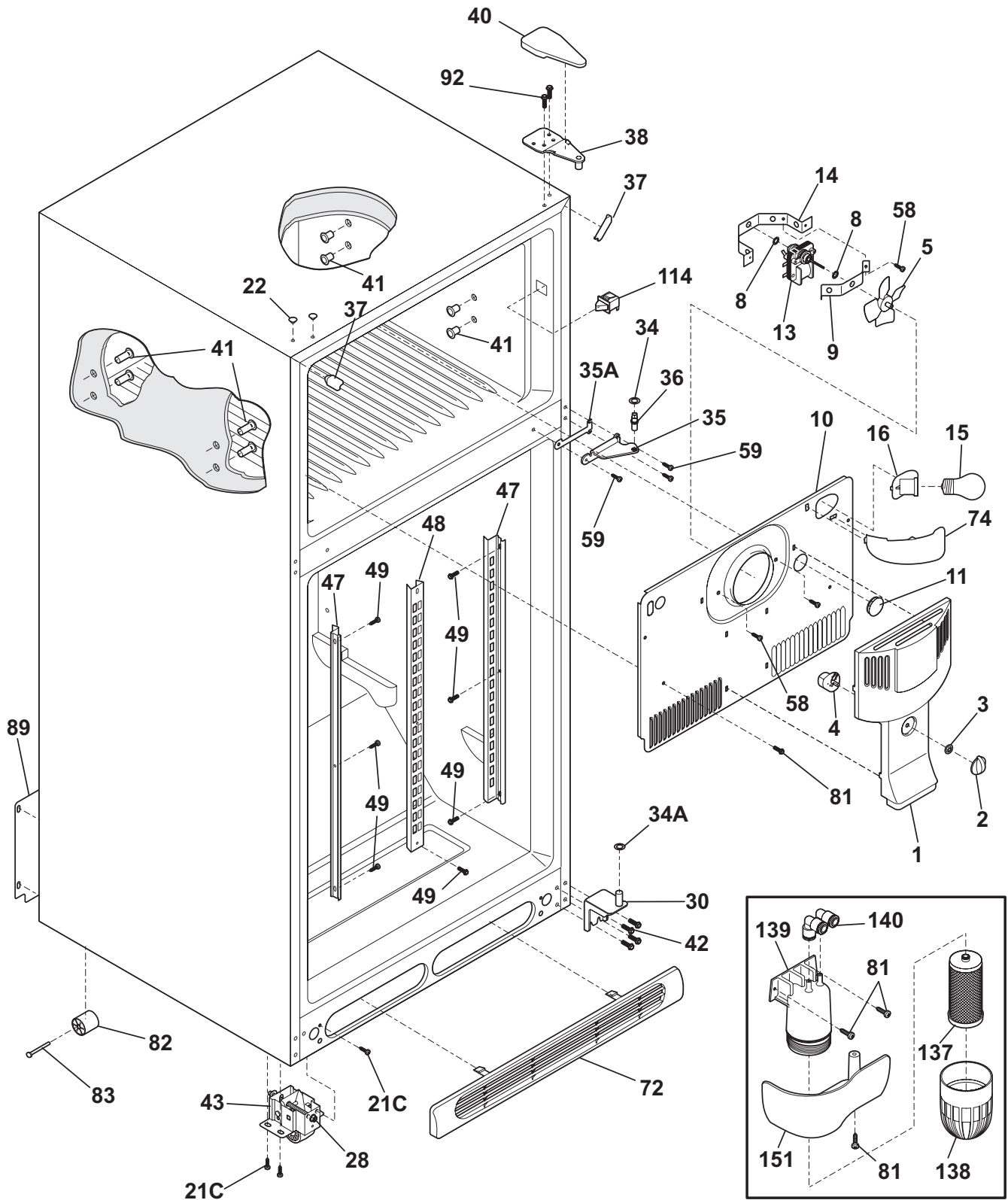
N05DFDDBA1

DOOR

Model Index: A PHT189WHK (PHT189WHKM1)
 B PHT189WHK (PHT189WHKM2)
 C PHT189WHS (PHT189WHSM1)
 D PHT189WHS (PHT189WHSM2)

POS. NO	PART NO.		DESCRIPTION
1	240542115	A B C D	Gasket-frzr door, white, magnetic
2	240542118	A B C D	Gasket-refr door, white, magnetic
7	240338313	A B C D	Door, dairy, clear
11	241623302	A B - -	Door, frzr, stainless steel, LH
11	241623301	- - C D	Door, frzr, stainless steel, RH
12	241808801	A B C D	Label-nameplate
13	240312405	A B C D	Door Stop, black, refr
13A	240312406	A B C D	Door Stop, black, frzr
15	241623432	A B - -	Door-refr, stainless, complete assy
15	241623431	- - C D	Door-refr, stainless, complete assy
18	240536803	A B C D	Handle-door, stainless steel, with insert
18*	241601001	A B C D	Wrench, allen
21C	218252201	A B C D	Screw, #8 truss hd, 10-32CA x 0.500
22	240527102	A B C D	Bearing-hinge, black
22C	240328402	A B C D	Bearing-hinge, natural, upper
23	241553305	A B C D	Drip Tray, silver mist
24	241553605	A B C D	Actuator-water, light grey
38A	241610101	A B C D	Switch-actuator
44	241553405	A B C D	Cover-module, light grey
48	240338101	A B C D	Bin-door, pseudo, bottom
48A	240338202	A B C D	Bin-door, gallon
48A*	241779601	A B C D	Liner, bin
49	240495805	A B C D	Bin-door, pseudo, frzr
49A	241801402	A B C D	Bin-tilt out, tilt-out
50	241611104	A B C D	Switch-rocker, black
79	218755402	A B C D	Screw-set, 10-32 x 0.375
80	218755504	A B C D	Screw-shoulder, #10 AB, handle mounting
81	240363402	A B C D	Screw-#8-18 X 1/2, #6 hd plask
97	241603401	A B C D	Valve-check
*	218490901	A B C D	Cleaner, stainless steel
*	240352102	A B C D	Connector-water, straight
*	241609901	A B C D	Harness-wiring
*	241623001	A B C D	Harness-wiring
*	241623201	A B C D	Harness-wiring, door

CABINET



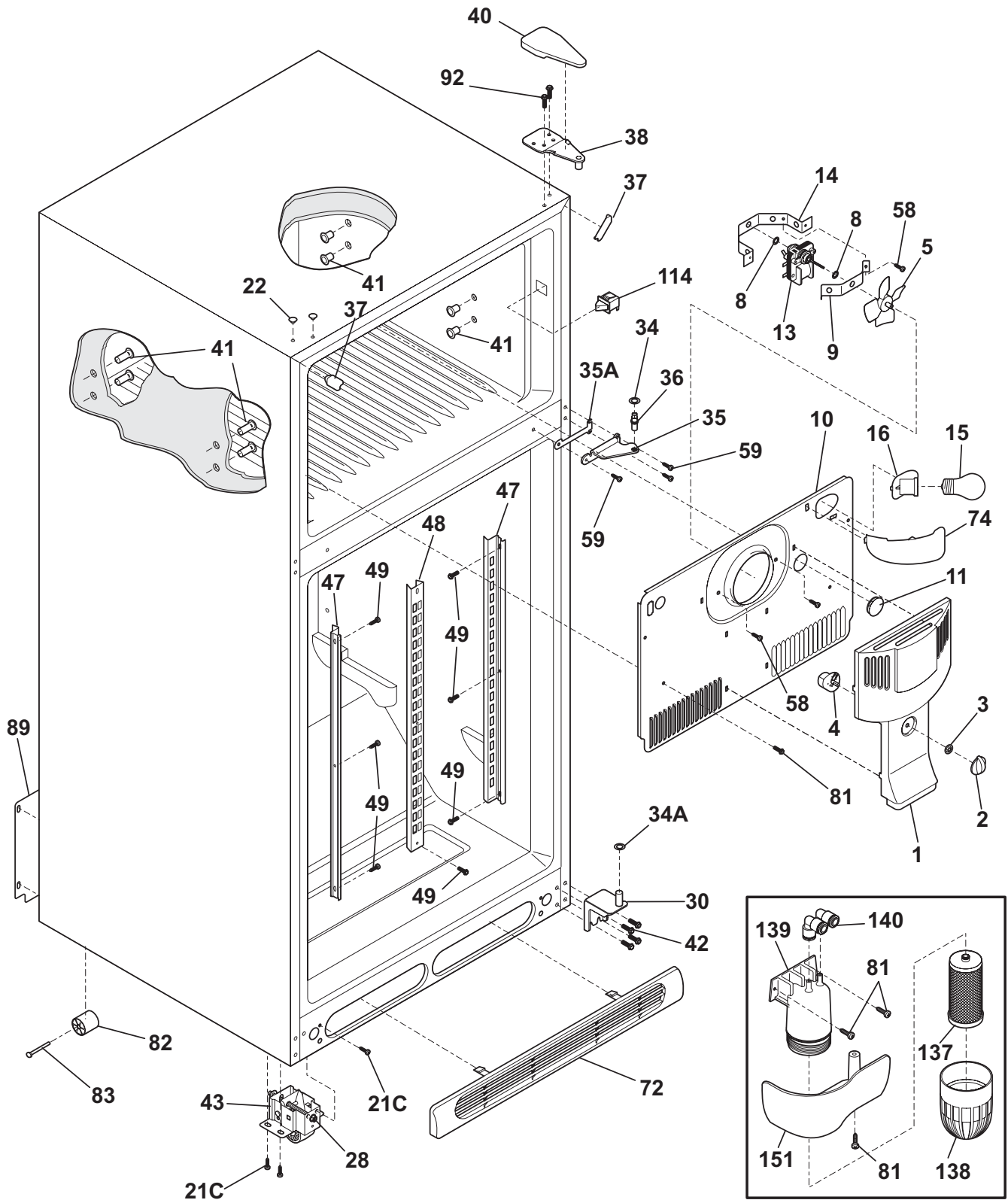
N05BAAAAC11

CABINET

Model Index: A PHT189WHK (PHT189WHKM1)
 B PHT189WHK (PHT189WHKM2)
 C PHT189WHS (PHT189WHSM1)
 D PHT189WHS (PHT189WHSM2)

POS. NO	PART NO.		DESCRIPTION
1	241652301	A B C D	Cover-fan
2	240367001	A B C D	Knob-damper control
3	5303212803	A B C D	Nut
4	240367401	A B C D	Damper-fan cover
5	5308000010	A B C D	Fan Blade, red, evaporator fan
8	5300157666	A B C D	Bushing-motor mtg, (2)
9	5303292396	A B C D	Bracket-motor mtg, front
10	241652213	A B C D	Cover-evap coil
10*#	241537701	A B C D	Wiring Harness, freezer section, with light
11	5303208309	A B C D	Plug-hole, factory test
13	240369702	A B C D	Motor-evap fan
13*	215474201	A B C D	Washer, "slinger", nylon, evap fan shaft
14	5303292397	A B C D	Bracket-motor mtg, rear
14*	240433204	A B C D	Screw, hex washer head, 8-18 x 5/16
15	241560701	A B C D	Light Bulb
16	241513901	A B C D	Socket-light
21C	218252201	A B C D	Screw, #8 truss hd, 10-32CA x 0.500
22	215774920	A B C D	Plug button, silver mist
28	241708801	A B C D	Bolt-roller adj, hex washer head, 1/4-20 x 4.020, (2), special
30	241625006	A B - -	Bracket-lower hinge, black
30	241625005	- - C D	Bracket-lower hinge, black
30*	241614402	A B - -	Cover-lower hinge
30*	241614401	- - C D	Cover, lower hinge
34	240311303	A B C D	Washer, hinge, nylon, (2)
34A	241555701	A B C D	Washer-nylon
35	240313802	A B C D	Bracket-ctr hinge, white
35A	240336802	A B C D	Spacer-hinge, center
36	240516402	A B C D	Pin-center hinge
37	241611305	A B C D	Trim-cabinet corner, silver mist, (2)
38	240313701	A B C D	Bracket-upper hinge
40	240354405	A B C D	Cover-upper hinge, silver mist
41	5308009759	A B C D	Grommet, shelf mtg, 1.25", LH, (4)
42	240578902	A B C D	Screw-hinge mtg, hex head, 1/4-20 x 5/8
43	241709301	A B C D	Roller Assy, adjustable, front, (2)
47	218233301	A B C D	Channel-shelf mtg, side, (2)
48	241566901	A B C D	Channel-shelf mtg, center (ml)
49	218362501	A B C D	Screw, hex washer head, 8-18AB x 1.250, spacer, (2)
58	5304456287	A B C D	Screw, hex washer head, 8-15A x 0.500
59	240442708	A B C D	Screw-#10-32 X 3/4, white
72	241560110	A B - -	Grille/Kickplate, silver mist, LH
72	241560109	- - C D	Grille/Kickplate, silver mist, RH
74	240354302	A B C D	Shield-light, frzr
81	5304455650	A B C D	Screw, hex washer head, 8-15A x 0.625, low profile
82	5304418225	A B C D	Roller, compressor base, rear, (2)
83	5304455655	A B C D	Rivet, flat head, 1/4 OD x 1-3/4, roller pin
89	241733907	A B C D	Cover-access, with label
89*	241500304	A B C D	Screw, hex washer head, 8-18AB x 0.625

CABINET



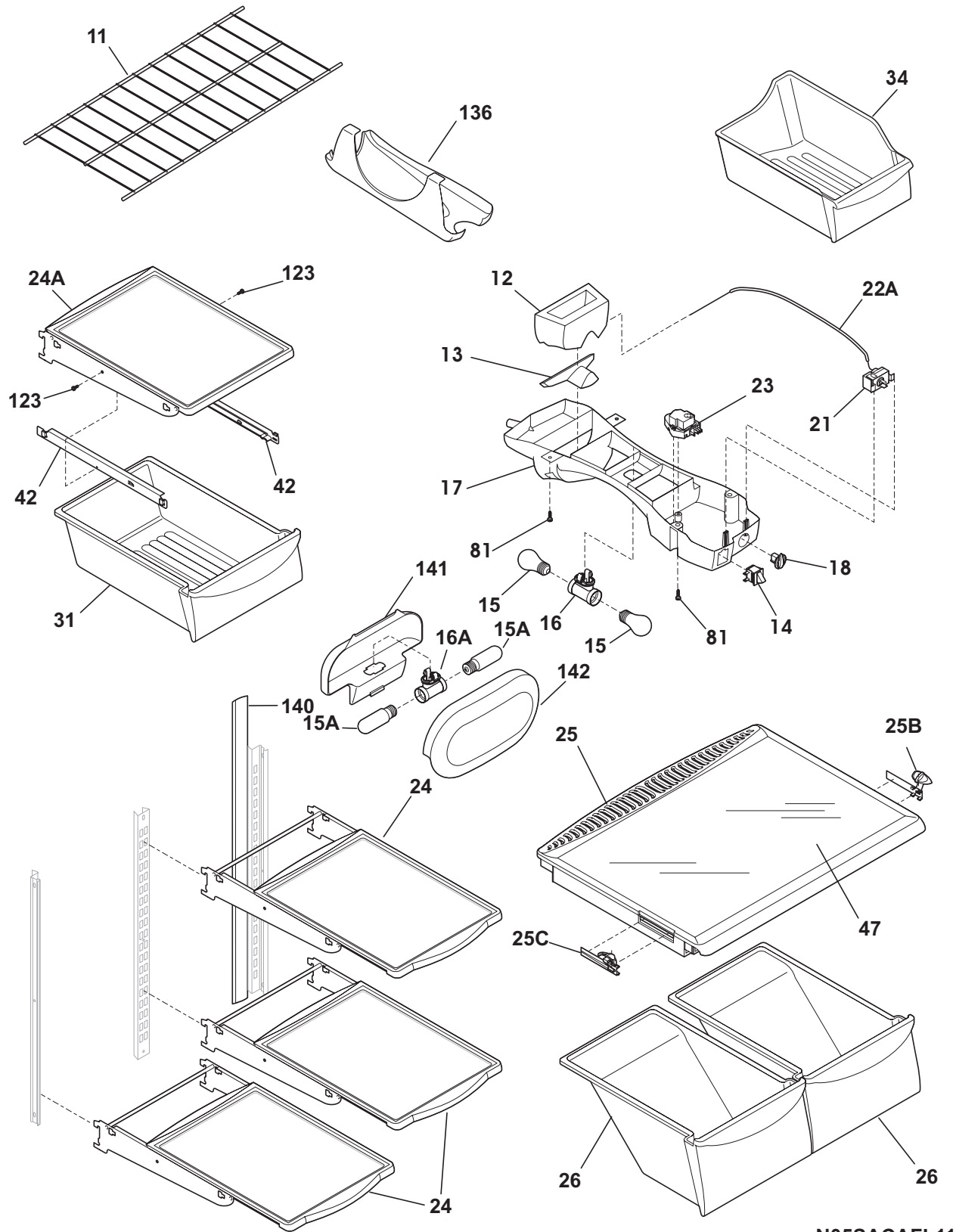
N05BAAAAC11

CABINET

Model Index: A PHT189WHK (PHT189WHKM1)
 B PHT189WHK (PHT189WHKM2)
 C PHT189WHS (PHT189WHSM1)
 D PHT189WHS (PHT189WHSM2)

POS. NO	PART NO.		DESCRIPTION
92	241710601	A B C D	Screw, hex washer hd, 1/4 x 7/8, hinge mtg
114#	240505801	A B C D	Switch, light/lamp
137#	240389101	A B C D	Filter, water, carbon canister, rear, with o'rings
137*	218710300	A B C D	Wrench-filter
138	240434401	A B C D	Cup-water filter
138*	218904301	A B C D	O-ring, wtr filter cup
139	240434301	A B C D	Housing-water filtr
140	240545201	A B C D	Elbow-water tube
151	241555001	A B C D	Cover-water filter
*	218515401	A B C D	Clip
*	240542601	A B C D	Clip-wiring harness

SHELVES



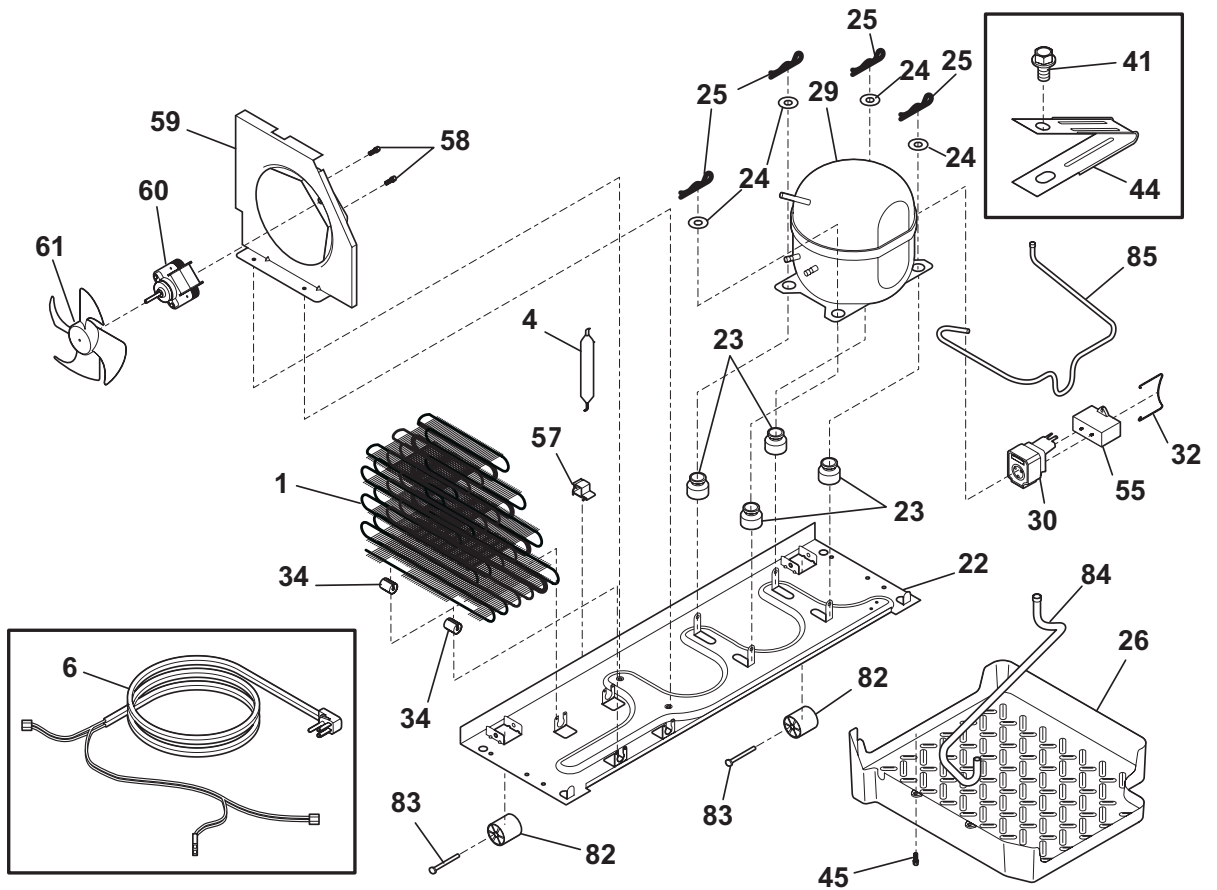
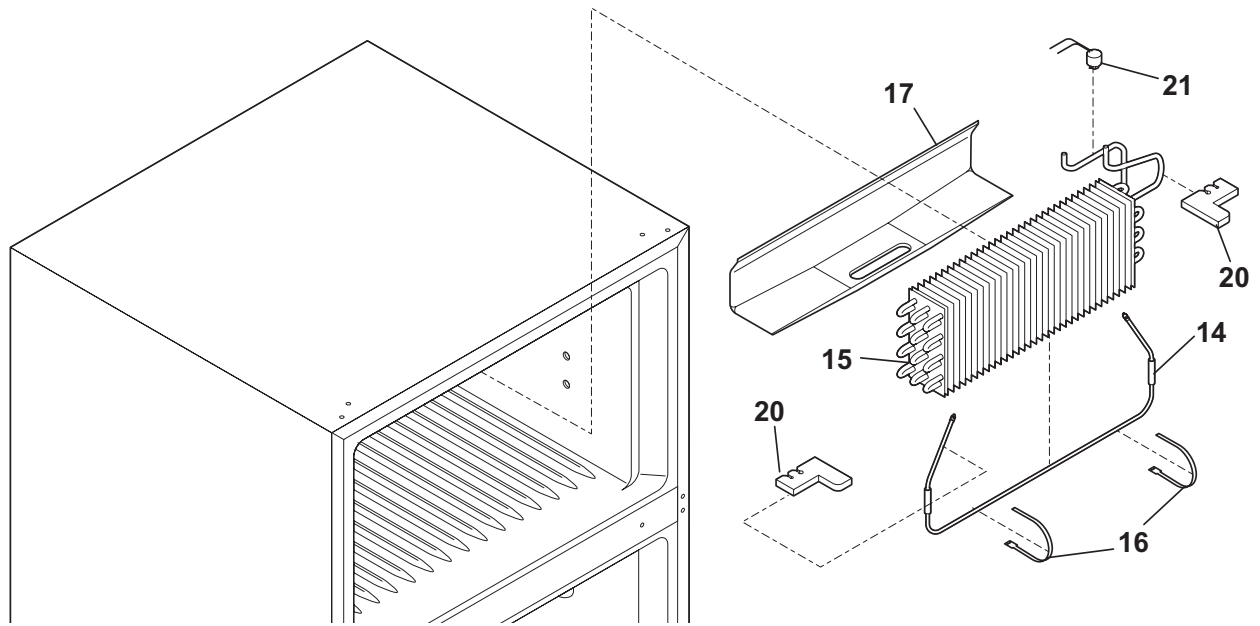
N05SACAF11

SHELVES

Model Index: A PHT189WHK (PHT189WHKM1)
 B PHT189WHK (PHT189WHKM2)
 C PHT189WHS (PHT189WHSM1)
 D PHT189WHS (PHT189WHSM2)

POS. NO	PART NO.		DESCRIPTION
11	240358005	A B C D	Shelf, freezer, full-width, wire
12	241542001	A B C D	Diffuser, air, top
13	240362601	A B C D	Diffuser, air, bottom
14 #	241554901	A B C D	Switch-light/lamp
15	241555401	A B C D	Light Bulb
15A	241552802	A B C D	Light Bulb
16	240364202	A B C D	Socket-light/lamp, dual
16A	241622802	A B C D	Socket-light
16A*	241593901	A B C D	Harness-wiring
17	240352701	A B C D	Control Box
17*	241566801	A B C D	Harness-wiring, c/box M/Level
18	240360801	A B C D	Knob, temp control
21 #	5304421256	A B C D	Control, temperature
22A	240468201	A B C D	Tube, sensor sleeve, 31 inch, plastic, white
23 #	215846606	A B C D	Timer, defrost, 60 Hz, 0.25 W, 120 V, 10 hour/30 min
23*	5304455649	A B C D	Screw-timer mtg, pan hd, 6-20 x 0.438, (2)
24	241616604	A B C D	Shelf, fixed, Spill Safe
24A	241730501	A B C D	Shelf-"Spill-Safe", cantilever, sliding
25	241572503	A B C D	Cover-crisper pan
25B	241613501	A B C D	Control-humidity, RH
25C	241613502	A B C D	Control-humidity, LH
26	240337103	A B C D	Pan-crisper, clear, (2), no graphics
31	240530811	A B C D	Pan-meat, w/o graphics, clear
34	240385201	A B C D	Container, ice bin
42	240356501	A B C D	Track, meat pan hanger, RH
42	240365401	A B C D	Track, meat pan hanger, LH
47	241711220	A B C D	Insert-pan cover, glass
81	5304455650	A B C D	Screw, hex washer head, 8-15A x 0.625, low profile
123	215005101	A B C D	Screw, hanger/rlr mtg, 8-10 x 7/16
136	241657701	A B C D	Dispenser-can, white
140	240430506	A B C D	Channel, wtr tube cover
141	241562101	A B C D	Shield-heat, Mid Level
142	241562202	A B C D	Shield-light Mid Level
*	241768161	A B - -	Energy Guide
*	241768160	- - C D	Energy Guide

SYSTEM



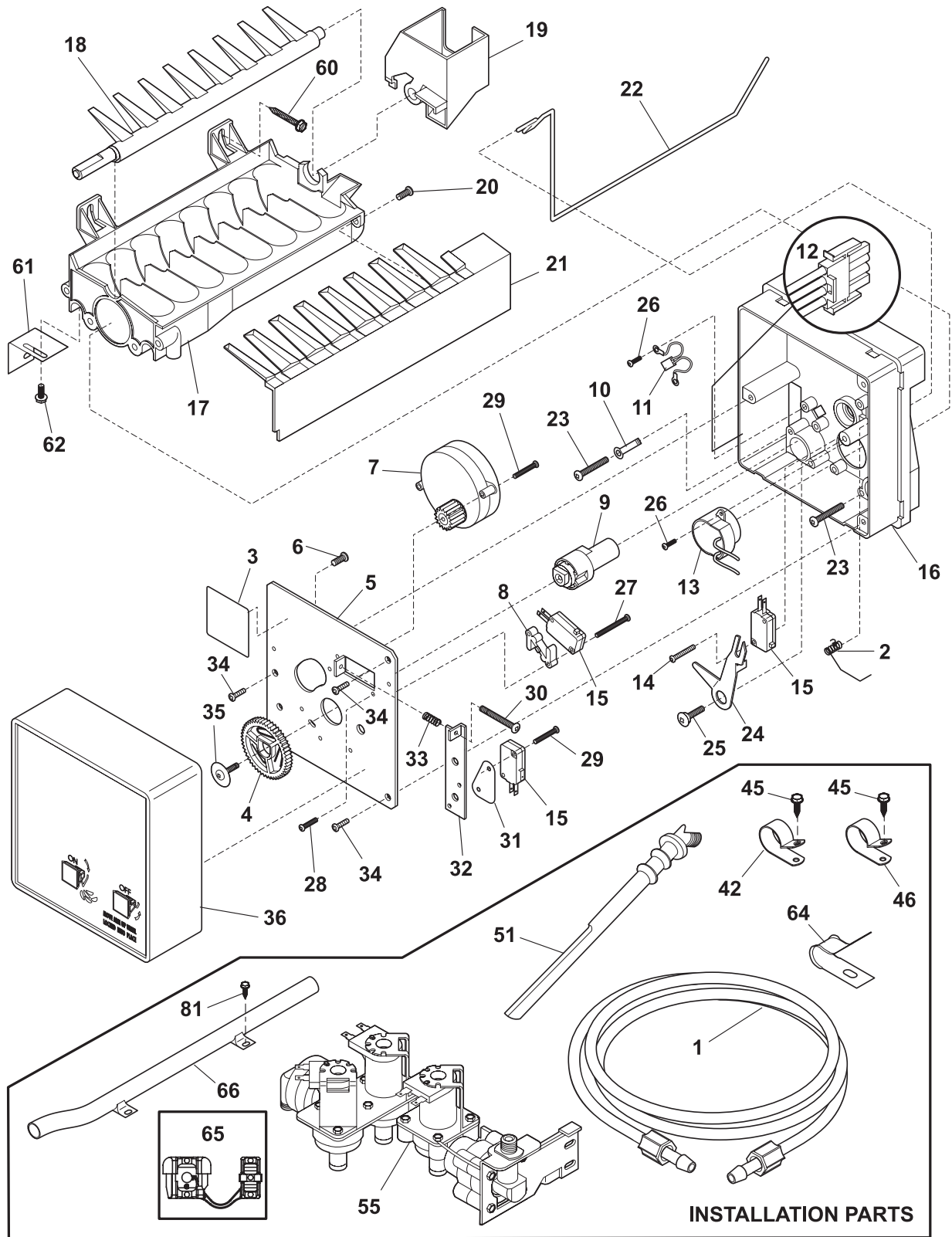
N05CAABAD1

SYSTEM

Model Index: A PHT189WHK (PHT189WHKM1)
 B PHT189WHK (PHT189WHKM2)
 C PHT189WHS (PHT189WHSM1)
 D PHT189WHS (PHT189WHSM2)

POS. NO	PART NO.		DESCRIPTION
1 #	241665702	A B C D	Condenser, dynamic
4 #	218944001	A B C D	Drier-filter, R134a System
6 #	241721501	A B - -	Harness-wiring, machine compt, WTD (LH)
6 #	241721401	- - C D	Harness-wiring machine compt, wiring
6* #	241537701	A B C D	Wiring Harness, freezer section, with light
6* #	241566801	A B C D	Harness-wiring, c/box M/Level
14 #	240356214	A B C D	Heater-defrost
15 #	5303918274	A B C D	Evaporator Kit
16	5308000110	A B C D	Strap-evap/heater, aluminum, (2)
17	241801301	A B C D	Trough-drain
20	241551901	A B C D	Insulation Block
21 #	5303918202	A B C D	Thermostat-defrost, kit
22	241665606	A B C D	Base-compressor
22*	218252201	A B C D	Screw, #8 truss hd, 10-32CA x 0.500
23	218513300	A B C D	Grommet-compr mtg, (4)
24	241812301	A B C D	Washer-compr mtg
25	216056401	A B C D	Clip-compressor mtg
26	241683601	A B C D	Pan-defrost
29 #	5303918333	A - C -	Compressor Kit
29 #	5303918350	- B - D	Compressor Kit
30 #	241527806	A - C -	Starter
30 #	241707703	- B - D	Starter, PTC
32	216649100	A - C -	Clamp, elec cont mtg, compressor
32	241544101	- B - D	Clamp, elec cont mtg, compressor, bale wire
34	240405201	A B C D	Grommet, rubber, black, cond tube/wire
41	240433204	A B C D	Screw, hex washer head, 8-18 x 5/16
44	5304456288	A B C D	Clamp-wiring harness, strain relief, galv steel
45	241500304	A B C D	Screw, hex washer head, 8-18AB x 0.625
55	218909915	A - C -	Capacitor, run, 220 VAC, 15 microfarad
55	218909913	- B - D	Capacitor, run, 220 VAC, 15 microfarad
57	240542601	A B C D	Clip-wiring harness
58	218897004	A B C D	Screw, hex washer head, 8-32 x 0.375
59	241681101	A - C -	Shroud-cond fan
59	5304430246	- B - D	Bracket-cond motor assy
59*	240346701	A B C D	Tape-foam seal, shroud
59*	240359403	A B C D	Screw-fan shroud, (2)
60 #	241696602	A - C -	Motor-condenser fan
60 #	240525402	- B - D	Motor, condensor fan
61 #	240524101	A B C D	Fan Blade, galv steel, condenser fan
82	5304418225	A B C D	Roller, compressor base, rear, (2)
83	5304455655	A B C D	Rivet, flat head, 1/4 OD x 1-3/4, roller pin
84	240500801	A B C D	Tube-drain, rubber, lower
85	240553501	A - C -	Tube-connector, suction
85	241719501	- B - D	Tube-connector, suction
*	240396801	A B C D	Clamp, tube/wiring, nylon, black/natural
*	5303918263	A B C D	Heat Exchanger Kit, suction line
*	5303918222	A B C D	Hot Tube Repair Kit, service

ICE MAKER



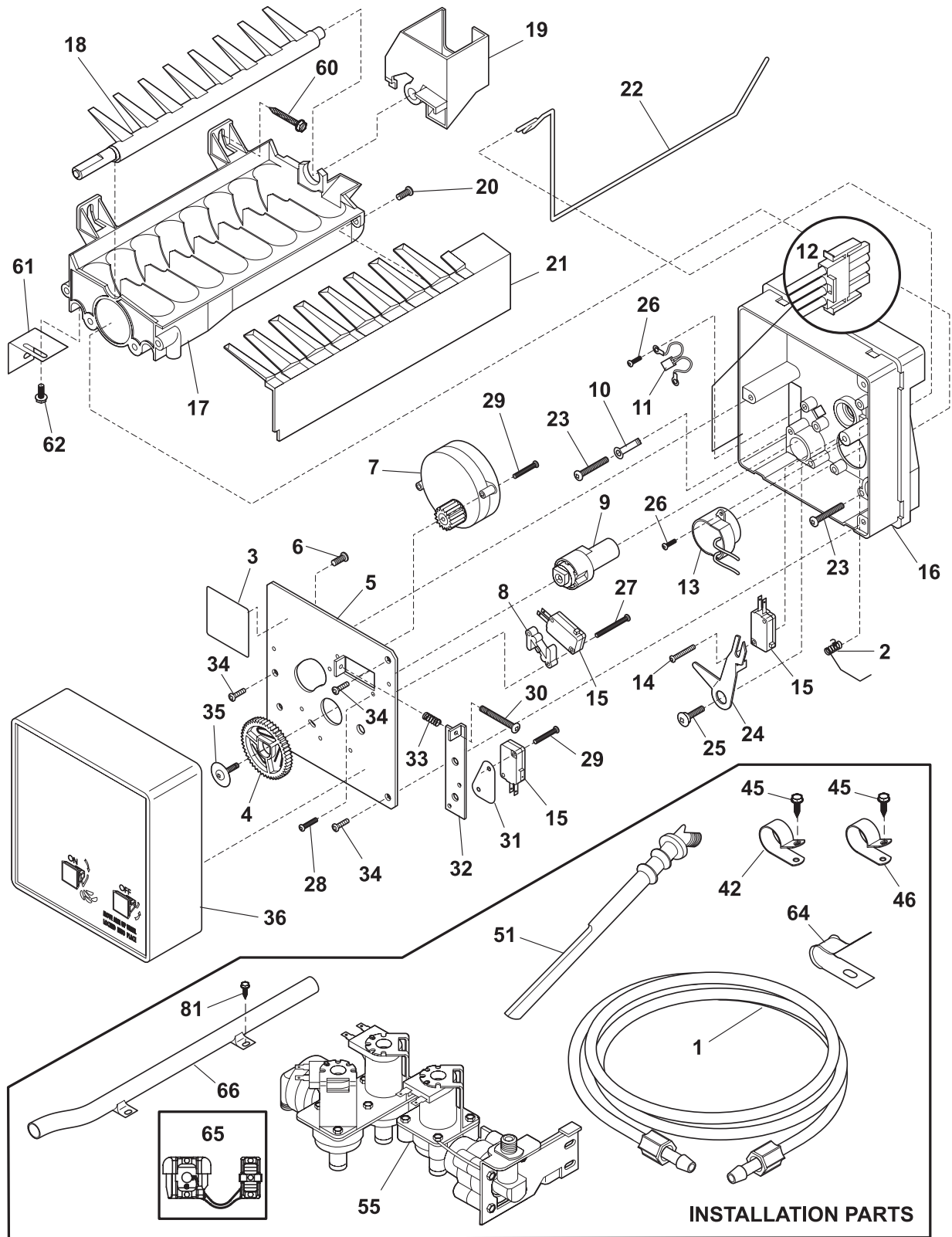
115-2

ICE MAKER

Model Index: A PHT189WHK (PHT189WHKM1)
 B PHT189WHK (PHT189WHKM2)
 C PHT189WHS (PHT189WHSM1)
 D PHT189WHS (PHT189WHSM2)

POS. NO	PART NO.		DESCRIPTION
1	218976901	A B C D	Tube, water inlet, valve to IM
1*	218976915	A B C D	Tube-water inlet, inlet valve, to filter
1*	240561701	A B C D	Seal-water inlet, inlet valve, to ice maker
1*	241565106	A B C D	Tube-water inlet, valve to I.M.
1*	241565107	A B C D	Tube-water inlet, valve to tank
1*	241565110	A B - -	Tube-water inlet, inlet valve, to filter
1*	241565108	- - C D	Tube-water inlet, inlet valve, to filter
2	5304456650	A B C D	Spring-shutoff arm, ICE MAKER
3	5304456657	A B C D	Nameplate
4	5304456658	A B C D	Gear
5	5304456659	A B C D	Plate-mounting
6	5304456691	A B C D	Screw, M 3x20 #3, valve plate
7 #	5304445222	A B C D	Motor-ice maker Svo
7*	5304445223	A B C D	Spring Beam
8	5304456661	A B C D	Spacer-hold switch
9	5304456662	A B C D	Cam
10	5304456689	A B C D	Retainer
11 #	5304456663	A B C D	Thermal Cutoff, ICE MAKER
12 #	5304456875	A B C D	Harness-wiring, icemaker
13	5304456665	A B C D	Thermostat, ICE MAKER
14	5304456666	A B C D	Screw, M 3x20 #2, (6)
15 #	5304456667	A B C D	Switch-micro, (3)
15*	5304456688	A B C D	Terminal
16	5304456668	A B C D	Support
17	5304456669	A B C D	Mold-ice maker, w/therm cut off
18	5304456670	A B C D	Ejector-ice
19	5304456671	A B C D	Bearing & Inlet, fill cup
20	5304456677	A B C D	Screw, 8-32 x 3/8
21	5304456672	A B C D	Ice Stripper
22	5304456673	A B C D	Shut-off Arm
22*	218709101	A B C D	Screw, hex head, 10-32 x 0.500
23	5304456674	A B C D	Screw, M 4x25 #2, mold-to-support, (2)
24	5304456675	A B C D	Lever Arm
25	5304456676	A B C D	Screw, M 4x12.8 #2, lever arm/sprt
26	5304456680	A B C D	Screw, plask, 4-14 x 3/8
27	5304456677	A B C D	Screw, M 3x25 #3, hold switch mtg. (2)
28	5304456660	A B C D	Screw, M 4x6 #2
29	5304456678	A B C D	Screw, M 3x12 #3, (2)
30	5304456679	A B C D	Screw-timing adj, M 4x25 #3
31	5304456680	A B C D	Insulator
32	5304456681	A B C D	Plate-valve switch
33	5304456682	A B C D	Spring, shut-off arm
34	5304456683	A B C D	Screw, M 4x12 #2, (3)
35	5304456684	A B C D	Screw
36	5304456685	A B C D	Cover-ice maker
36*	5304456690	A B C D	Label, on/off
42	5303001199	A B C D	Clamp-wiring harness, strain relief, galv steel

ICE MAKER



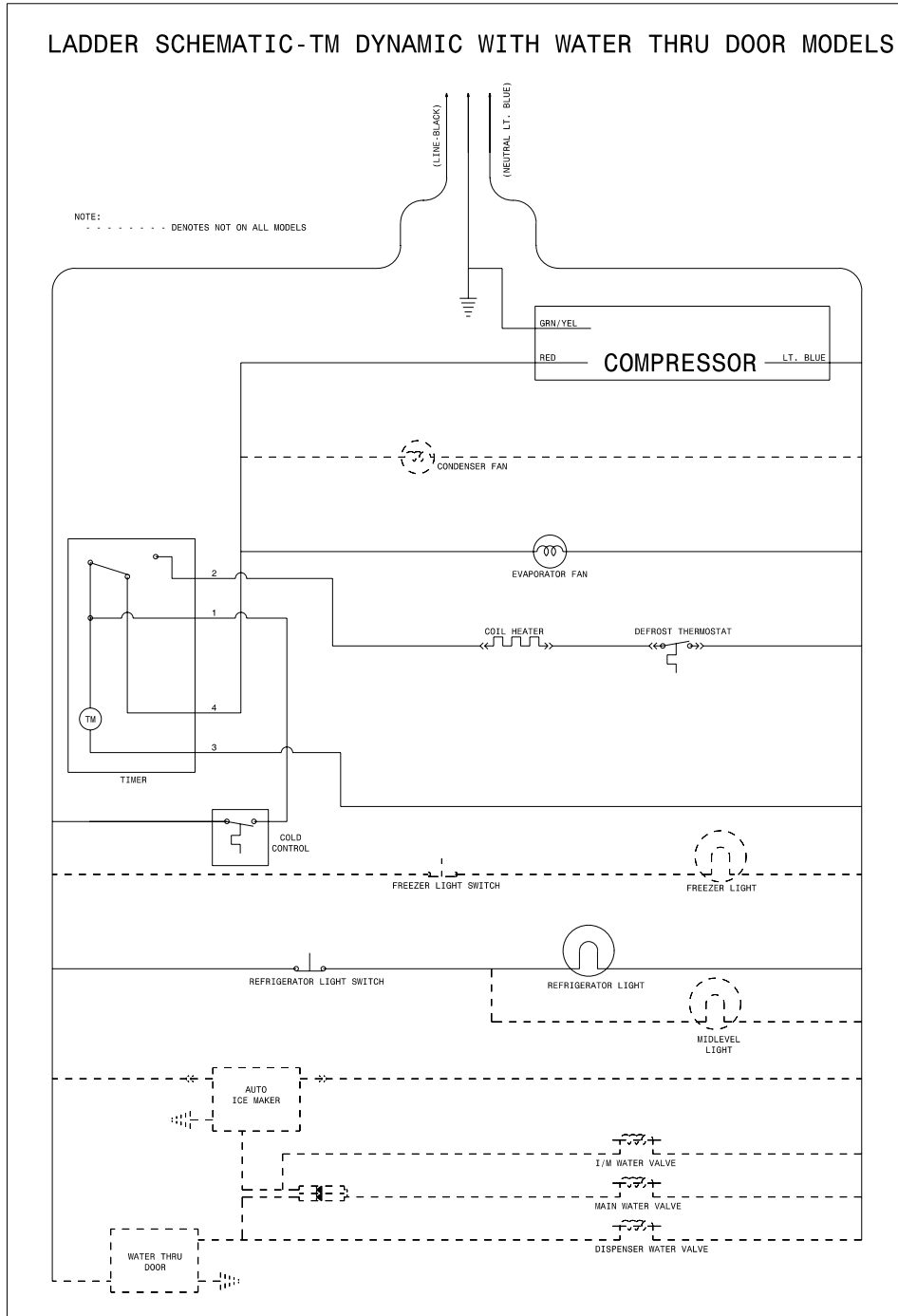
115-2

ICE MAKER

Model Index: **A** PHT189WHK (PHT189WHKM1)
 B PHT189WHK (PHT189WHKM2)
 C PHT189WHS (PHT189WHSM1)
 D PHT189WHS (PHT189WHSM2)

POS. NO	PART NO.		DESCRIPTION
45	5304455651	A B C D	Screw, hex washer head, 8-15A x 0.500
46	5308000133	A B C D	Clamp, nylon, .625 ID
51	241523501	A B C D	Tube-water, ice mold fill, extension
55 #	241636701	A B C D	Valve-water, triple solenoid
55*	240363602	A B C D	Screw-shoulder
60	218362501	A B C D	Screw, hex washer head, 8-18AB x 1.250, spacer, (2)
61	5304456686	A B C D	Bracket-leveling, ICE MAKER
62	5304456687	A B C D	Screw-IM brkt mtg, special, 8-32D x 0.375
64	5304455846	A B C D	Clamp, .31 ID, steel, water tube
65	241603501	A B C D	Clamp-strain relief
66	241606201	A B C D	Conduit
81	5304455650	A B C D	Screw, hex washer head, 8-15A x 0.625, low profile
*	218888001	A B C D	Adapter, water line, w/fittings
*	241642501	A B C D	Ice Maker, radius cube, 115 V, Svce
*	241642601	A B C D	Harness-wiring Svo
*	5304456692	A B C D	Washer
*	5304456693	A B C D	Nut, M 3.5
*	5304456737	A B C D	Washer

WIRING SCHEMATIC



WIRING DIAGRAM

