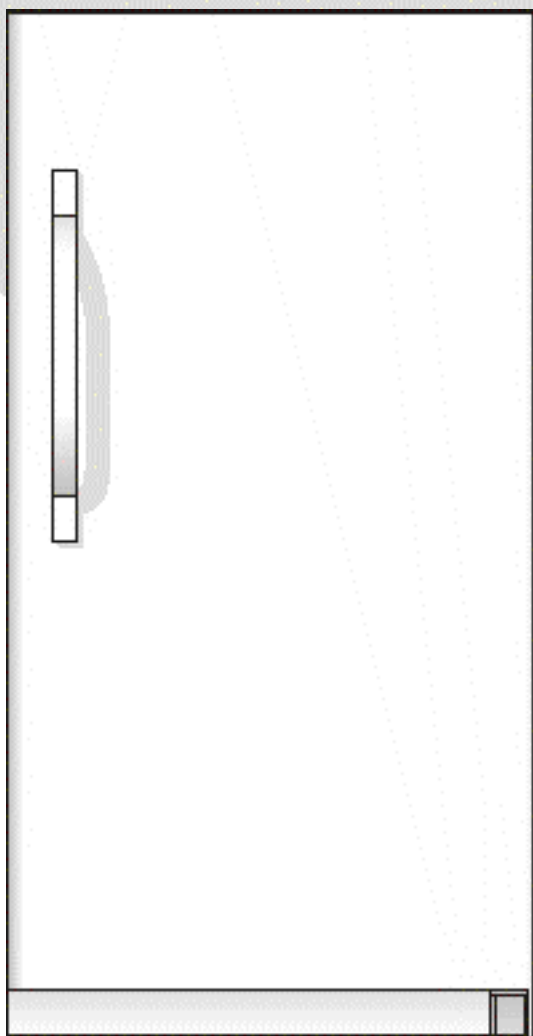


Use & Care Manual

Single-Door

Refrigerator



Welcome & Congratulations	2
Important Safety Instructions	3
Installation.....	4-5
Temperature Control	5
Refrigerator Features	6-7
Food Storage & Energy Saving Tips	8
Care & Cleaning	9
Warranty Information	10
Before You Call.....	11-13



Welcome & Congratulations

Congratulations on your purchase of a new refrigerator! We are very proud of our product and we are completely committed to providing you with the best service possible. Your satisfaction is our #1 priority.

We know you'll enjoy your new refrigerator and **Thank You** for choosing our product. We hope you consider us for future purchases.

PLEASE READ AND SAVE THESE INSTRUCTIONS

This Owner's Guide provides specific operating instructions for your model. Use your refrigerator only as instructed in this manual. These instructions are not meant to cover every possible condition and situation that may occur. Common sense and caution must be practiced when installing, operating and maintaining any appliance.

Please record your model and serial numbers below for future reference. This information is found on the serial plate located inside the freezer compartment.

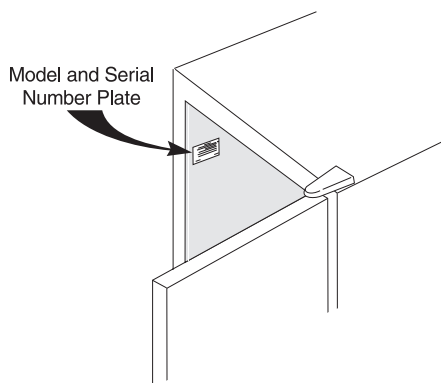
NOTE

Use only soap and water to clean serial plate.

Model Number: _____

Serial Number: _____

Purchase Date: _____



PLEASE COMPLETE AND MAIL IN THE PRODUCT REGISTRATION CARD INCLUDED WITH YOUR REFRIGERATOR.

Versión en español

Si desea obtener una copia en español de este Manual del Usuario, sívase escribir a la dirección que se incluye a continuación. Solicite la P/N 297211100.

Spanish Owner's Guides

Electrolux Home Products

P.O. Box 212378

Augusta, GA 30917



Important Safety Instructions



WARNING

Please read all instructions before using this refrigerator.

FOR YOUR SAFETY

Do not store or use gasoline, or other flammable vapors and liquids in the vicinity of this or any other appliance. Read product labels for warnings regarding flammability and other hazards.

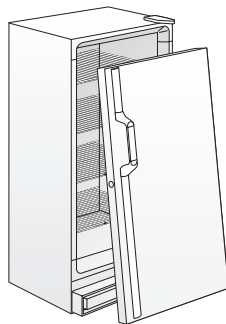
CHILD SAFETY

- Destroy or recycle the carton, plastic bags, and any exterior wrapping material immediately after the refrigerator is unpacked. Children should **NEVER** use these items to play. Cartons covered with rugs, bedspreads, plastic sheets or stretch wrap may become airtight chambers, and can quickly cause suffocation.
- Remove all staples from the carton. Staples can cause severe cuts, and destroy finishes if they come in contact with other appliances or furniture.
- An empty, discarded ice box, refrigerator, or freezer is a very dangerous attraction to children.
- Remove and discard any spacers used to secure the shelves during shipping. Small objects are a choke hazard to children.
- Remove the door(s) of any appliance that is not in use, even if it is being discarded.

PROPER DISPOSAL OF YOUR REFRIGERATOR OR FREEZER

Risk of child entrapment

Child entrapment and suffocation are not problems of the past. Junked or abandoned refrigerators or freezers are still dangerous – even if they will sit for “just a few days.” If you are getting rid of your old refrigerator or freezer, please follow the instructions below to help prevent accidents.



Before you throw away your old refrigerator/freezer:

- Remove doors.
- Leave shelves in place so children may not easily climb inside.
- Have refrigerant removed by a qualified service technician.



WARNING

These guidelines must be followed to ensure that safety mechanisms in this refrigerator will operate properly.

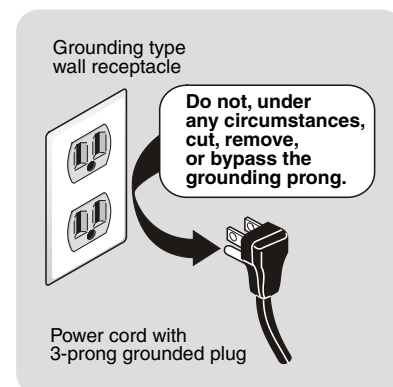
ELECTRICAL INFORMATION

- **Refer to the serial plate for correct electrical rating.** The power cord of the appliance is equipped with a three-prong grounding plug for your protection against shock hazards. It must be plugged directly into a properly grounded three-prong receptacle. The power supply circuit must be installed in accordance with current edition of the National Electrical Code (NFPA 70) and local codes and ordinances. Consult a qualified electrician. Receptacles protected by Ground Fault Circuit Interrupters (GFCI) are **NOT RECOMMENDED. Do not use an extension cord or adapter plug.**
- If voltage varies by 10% or more, refrigerator performance may be affected. Operating refrigerator with insufficient power can damage the motor. Such damage is not covered under the warranty. If you suspect your house hold voltage is high or low, consult your power company for testing.
- To prevent the refrigerator from being turned off accidentally, do not plug unit into an outlet controlled by a wall switch or pull cord.
- Do not pinch, knot, or bend the cord in any manner.
- To defrost refrigerator, always unplug unit first.
- Never unplug the refrigerator by pulling on the cord. Always grip the plug firmly, and pull straight out from the receptacle.



IMPORTANT

Turning the temperature control to OFF turns off the compressor, but does not disconnect the power to the light bulb and other electrical components.





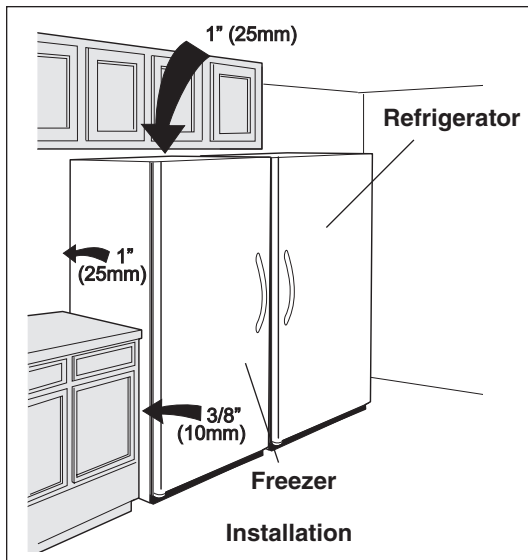
Installation

This Owner's Guide provides specific operating instructions for your model. Use the refrigerator only as instructed in this Use & Care Manual. **Before starting the refrigerator, follow these important first steps.**

LOCATION

- Choose a place that is near a grounded electrical outlet. **Do Not** use an extension cord or an adapter plug.
- For the most efficient operation, the refrigerator should be located where surrounding temperatures will not drop below 40°F (5°C) or exceed 110°F (43°C).
- Allow the following clearances for ease of installation, proper air circulation, and electrical connections:

Sides	3/8"
Back & Top	1"
- Do Not block the toe grille on the lower front of your refrigerator. Sufficient air circulation is essential for the proper operation of your refrigerator.



NOTE

The exterior walls of the refrigerator may become quite warm as the compressor works to transfer heat from the inside. Temperatures as much as 30°F warmer than room temperature can be expected.

DOOR OPENING

NOTE

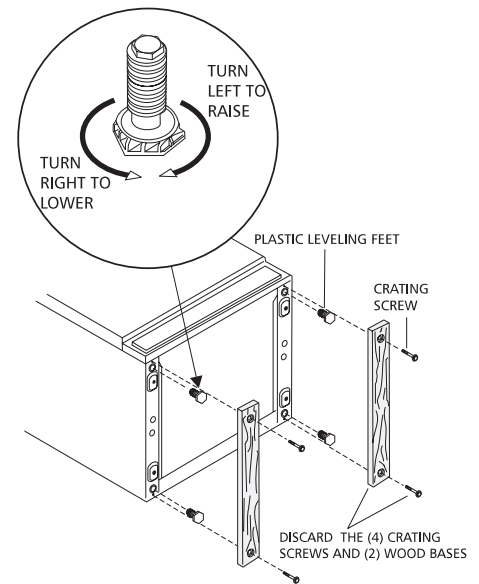
If your refrigerator is placed with the door hinge side against a wall, you may have to allow additional space so the door can be opened wider.

LEVELING

The refrigerator must have all bottom corners resting firmly on a solid floor. The floor must be strong enough to support a fully loaded refrigerator. **NOTE:** It is **Very Important** for your refrigerator to be level in order to function properly. If the refrigerator is not leveled during installation, the door may be misaligned and not close or seal properly, causing cooling, frost, or moisture problems.

To Level Refrigerator:

After discarding crating screws and wood base, use a carpenter's level to level the refrigerator from front-to-back. Adjust the plastic leveling feet in front, 1/2 bubble higher, so that the door closes easily when left halfway open.



Leveling Instructions for all Refrigerator/Freezer Pair:

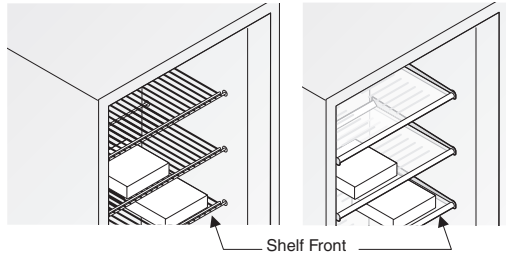
- Remove two leg levelers provided in literature bag. While unit is lying on its back for wood skid removal, install both leg levelers in rear of unit.
- Level door of first unit using all four levelers and slide unit into place. Recheck for levelness and adjust if necessary.
- Measure distance from floor to bottom of door on first unit. Adjust and level second unit so door height matches.
- Leg Level Adjustments
 - One full turn of all four leg levelers will raise door 5/32".
 - One full turn of both front leg levelers will raise door 3/16" and tilt top of door back 7/16".
 - One full turn of both rear leg levelers will lower door 1/32" and tilt top of door forward 7/16".
 - One full turn of both side leg levelers will raise door 3/16" and tilt top of door 3/8".
- Slide second unit into place leaving a minimum gap of 3/16" between units for door swing clearance.
- This last step may require at least one extraction of the second unit to properly align units in a "built-in" application.



Installation (Continued)

CAUTION

To allow door to close and seal properly, do not let food packages extend past the front of the shelves.



- 5 Remove screws from top hinge.
- 6 Remove top hinge from cabinet.
- 7 Remove door and bottom hinge from cabinet.
- 8 To replace door, reverse the above order and manner of removal. Securely tighten all screws to prevent hinge slippage.

DOOR REMOVAL

If door must be removed:

- 1 Gently lay refrigerator on its back, on a rug or blanket.
- 2 Remove two base screws and base panel.
- 3 Remove bottom hinge screws.
- 4 Remove plastic top hinge cover.



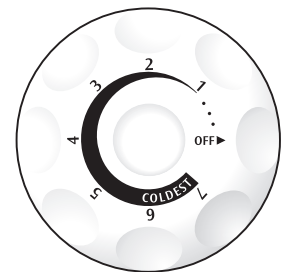
Temperature Control

COOL DOWN PERIOD

- For safe food storage, allow 4 hours for the refrigerator to cool down completely. The refrigerator will run continuously for the first several hours.

TEMPERATURE CONTROL

The temperature control is located inside the refrigerator compartment. The temperature is factory preset to provide satisfactory food storage temperatures. However, the temperature control is adjustable to provide a range of temperatures for your personal satisfaction. If a colder temperature is desired, turn the temperature control knob toward COLDEST and allow several hours for temperatures to stabilize between adjustments.



Cold Control



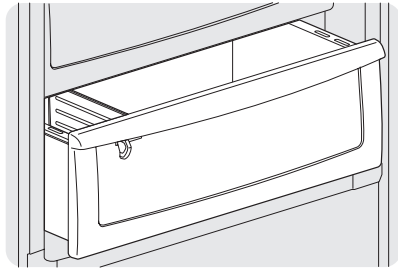
Refrigerator Features

INTERIOR LIGHT

The light comes on automatically when the door is opened. To replace the light bulb, turn the temperature control to OFF and **unplug the electrical cord**. Replace the old bulb with a bulb of the same wattage.

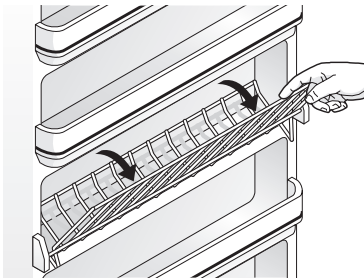
DRAWER WITH ADJUSTABLE DIVIDERS

The drawer, located at the bottom of the refrigerator, provides separate storage space for items that are difficult to store on refrigerator shelves. Dividers may be adjusted for different size items within the drawer.



TILT-OUT SHELF

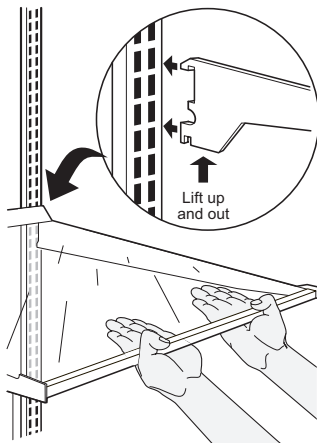
This shelf is located inside on the refrigerator door and provides additional storage space. To access an item, tilt top of "basket" shelf down.



Tilt-Out Shelf

ADJUSTABLE INTERIOR SHELVES

Multi-position adjustable interior shelves can be moved to any position for larger or smaller packages. The shipping spacers that stabilize the shelves for shipping may be removed and discarded.



Adjustable Interior Shelves - Upright Models

TO ADJUST CANTILEVER SHELVES

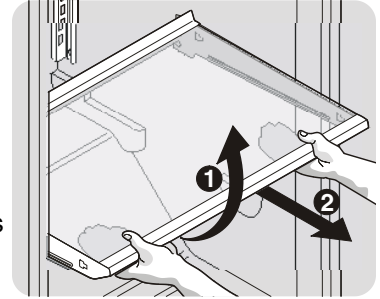


NOTE

Cantilever shelves are supported at the back of the refrigerator.

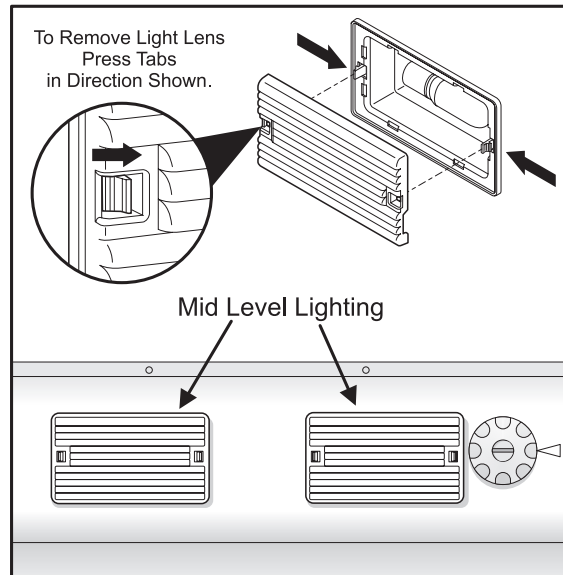
- 1 Lift front edge up.
- 2 Pull shelf out.

Replace the shelf by inserting the hooks at rear of the shelf into the wall bracket. Lower the shelf into the desired slots and lock into position.



MID LEVEL LIGHT

The light comes on automatically when the door is opened. To replace the light bulb, turn the temperature control to OFF and **unplug the electrical cord**. Remove the lens from the lamp housing by unsnapping it from the lamp housing using your fingers or a screwdriver. Be careful not to break the locking tabs on the lamp housing. Replace the old bulb with a bulb of the same type and wattage. To replace the lens, snap one side of the lens opening to the tab on the lamp housing. Then carefully attach the other side.



CAUTION

To avoid personal injury or property damage, handle tempered glass shelves carefully. Shelves may break suddenly if nicked, scratched, or exposed to sudden temperature change.



Refrigerator Features (Continued)

DOOR STORAGE

Door bins, shelves, and racks are provided for convenient storage of jars, bottles, and cans. Frequently used items can be quickly selected.

Some models have door racks or bins that can accommodate gallon-sized plastic drink containers and economy-sized jars and containers.

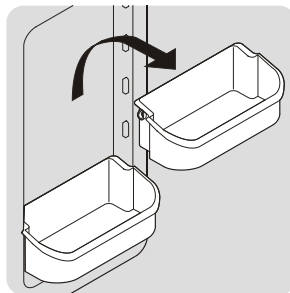
The dairy compartment, which is warmer than the general food storage section, is intended for short term storage of cheese, spreads, or butter.

ADJUSTABLE DOOR BINS

Some models have adjustable door bins that can be moved to suit individual needs.

To move door bins:

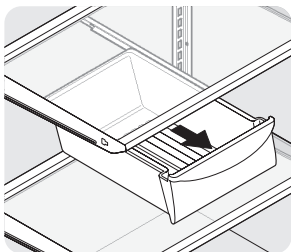
- 1 Lift bin straight up.
- 2 Remove bin.
- 3 Place bin in desired position.
- 4 Lower bin onto supports until locked in place.



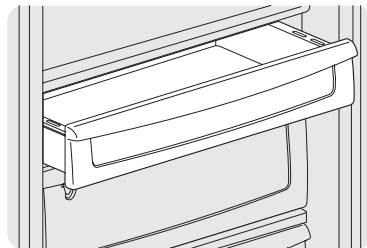
Adjustable Door Bin

DELI DRAWER

Some models are equipped with a Deli Drawer for storage of luncheon meats, spreads, cheeses, and other deli items.



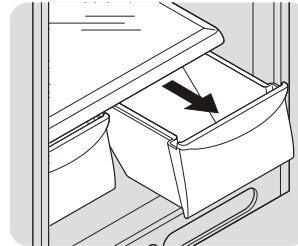
Deli Drawer (Some Models)



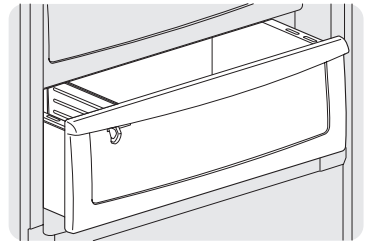
Deli Drawer (Some Models)

CRISPERS

The crispers, located under the bottom refrigerator shelf, are designed for storing fruits, vegetables, and other fresh produce. Wash items in clear water and remove excess water before placing them in the crispers. Items with strong odors or high moisture content should be wrapped before storing. Some crispers have dividers that may be adjusted for different sized items.



Crisper Drawer (Some Models)



Crisper with Adjustable Dividers (Some Models)

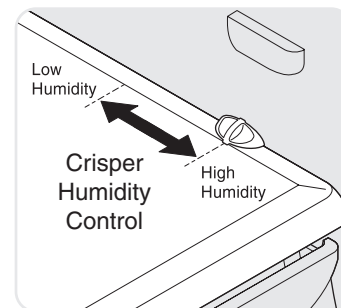
HUMIDITY CONTROL (SOME MODELS)

The Humidity Control, present on some models with crisper drawers, allows you to adjust the humidity within the crisper. This can extend the life of fresh vegetables that keep best in high humidity.



NOTE

Leafy vegetables keep best when stored with the Humidity Control set on **High Humidity**, or in a drawer without a Humidity Control. This keeps incoming air to a minimum and maintains maximum moisture content.





Food Storage & Energy Saving Tips

FOOD STORAGE IDEAS

Fresh Food Storage

- The fresh food compartment should be kept between 34°F and 40°F with an optimum temperature of 37°F.
- Avoid overcrowding the refrigerator shelves. This reduces the circulation of air around the food and results in uneven cooling.

Fruits and Vegetables

- Storage in the crisper drawers traps moisture to help preserve the fruit and vegetable quality for longer time periods.

Meat

- Raw meat and poultry should be wrapped securely so leakage and contamination of other foods or surfaces does not occur.

ENERGY SAVING IDEAS



- Locate the refrigerator in the coolest part of the room, out of direct sunlight, and away from heating ducts or registers. Do not place the refrigerator next to heat-producing appliances such as a range, oven, or dishwasher. If this is not possible, a section of cabinetry

or an added layer of insulation between the two appliances will help the refrigerator operate more efficiently.

- Level the refrigerator so that the door closes tightly.
- Refer to the "Temperature Control" Section for the suggested temperature control settings.
- Do not overcrowd the refrigerator or block cold air vents. Doing so causes the refrigerator to run longer and use more energy.
- Cover foods and wipe containers dry before placing them in the refrigerator. This cuts down on moisture build-up inside the unit.
- Organize the refrigerator to reduce door openings. Remove as many items as needed at one time and close the door as soon as possible.

VACATION AND MOVING TIPS

Short Vacations:

Leave the refrigerator operating during vacations of less than three weeks.

Long Vacations:

If the refrigerator will not be used for several months:

- Remove all food and unplug the power cord.
- Clean and dry the interior thoroughly.
- Leave the refrigerator door open slightly, blocking it open if necessary, to prevent odor and mold growth.

Moving: When moving the refrigerator, follow these guidelines to prevent damage:

- Disconnect the power cord plug from the wall outlet.
- Remove foods, then defrost, and clean the refrigerator.
- Secure all loose items such as base panel, baskets, and shelves by taping them securely in place to prevent damage.
- In the moving vehicle, secure refrigerator in an upright position to prevent movement. Also protect outside of refrigerator with a blanket, or similar item.



Care and Cleaning

Keep your refrigerator clean to prevent odor build-up. Wipe up any spills immediately and clean at least twice a year. **Never** use metallic scouring pads, brushes, abrasive cleaners or strong alkaline solutions on any surface. **Do not** wash any removable parts in a dishwasher. **Always unplug the electrical power cord from the wall outlet before cleaning.**

CAUTION

- When moving the refrigerator, pull straight out. Do not shift the refrigerator from side-to-side as this may tear or gouge the floor covering.
- Damp objects stick to cold metal surfaces. Do not touch interior metal surfaces with wet or damp hands.

NOTE

- Turning the refrigerator temperature control to “OFF” turns off the compressor, but does not disconnect electrical power to the light bulb or other electrical components. To turn off power to your refrigerator, you must unplug the power cord from the wall outlet.
- Do not use razor blades or other sharp instruments which can scratch the appliance surface when removing adhesive labels. Any glue left from tape or labels can be removed with a mixture of warm water and mild detergent, or, touch the glue residue with the sticky side of tape you have already removed. Do not remove the serial plate.

Care & Cleaning Chart

Part	What To Use	Tips and Precautions
Interior/Door Liner	<ul style="list-style-type: none"> • Soap and water • Baking soda and water 	Use 2 tablespoons of baking soda in 1 quart of warm water. Be sure to wring excess water out of sponge or cloth before cleaning around controls, light bulb or any electrical part.
Door Gaskets	<ul style="list-style-type: none"> • Soap and water 	Wipe gaskets with a clean soft cloth.
Drawers/Bins	<ul style="list-style-type: none"> • Soap and water 	Do not wash any removable items (bins, drawers, etc.) in dishwasher.
Glass Shelves	<ul style="list-style-type: none"> • Soap and water • Glass cleaner • Mild liquid sprays 	Allow glass to warm to room temperature before immersing in warm water.
Exterior and Handles	<ul style="list-style-type: none"> • Soap and water • Non Abrasive Glass Cleaner 	Do not use commercial household cleaners, ammonia, or alcohol to clean handles. Use a soft cloth to clean smooth handles. Do Not use a dry cloth to clean smooth doors.
Exterior and Handles (Stainless Steel Models Only)	<ul style="list-style-type: none"> • Soap and water • Ammonia • Stainless Steel Cleaners 	Clean stainless steel front and handles with soapy water and a dishcloth. Rinse with clean water and a soft cloth. Wipe stubborn spots with an ammonia-soaked paper towel, and rinse. Use a non-abrasive stainless steel cleaner. These cleaners can be purchased at most home improvement or major department stores. Always follow manufacturer's instructions. NOTE: Always clean, wipe and dry with the grain to prevent cross-grain scratching. Wash the rest of the cabinet with warm water and mild liquid detergent. Rinse well, and wipe dry with a clean soft cloth.



Warranty Information

Major Appliance Warranty Information

Your appliance is covered by a one year limited warranty. For one year from your original date of purchase, Electrolux will repair or replace any parts of this appliance that prove to be defective in materials or workmanship when such appliance is installed, used, and maintained in accordance with the provided instructions. In addition, the cabinet liner and sealed refrigeration system (compressor, condenser, evaporator, dryer or tubing) of your appliance is covered by a two through five year limited warranty. During the 2nd through 5th years from your original date of purchase, Electrolux will repair or replace any parts in the cabinet liner and sealed refrigeration system which prove to be defective in materials or workmanship when such appliance is installed, used, and maintained in accordance with the provided instructions.

Exclusions

This warranty does not cover the following:

1. Products with original serial numbers that have been removed, altered or cannot be readily determined.
2. Product that has been transferred from its original owner to another party or removed outside the USA or Canada.
3. Rust on the interior or exterior of the unit.
4. Products purchased "as-is" are not covered by this warranty.
5. Food loss due to any refrigerator or freezer failures.
6. Products used in a commercial setting.
7. Service calls which do not involve malfunction or defects in materials or workmanship, or for appliances not in ordinary household use or used other than in accordance with the provided instructions.
8. Service calls to correct the installation of your appliance or to instruct you how to use your appliance.
9. Expenses for making the appliance accessible for servicing, such as removal of trim, cupboards, shelves, etc., which are not a part of the appliance when it is shipped from the factory.
10. Service calls to repair or replace appliance light bulbs, air filters, water filters, other consumables, or knobs, handles, or other cosmetic parts.
11. Pickup and delivery costs; your appliance is designed to be repaired in the home.
12. Surcharges including, but not limited to, any after hour, weekend, or holiday service calls, tolls, ferry trip charges, or mileage expense for service calls to remote areas, including the state of Alaska.
13. Damages to the finish of appliance or home incurred during transportation or installation, including but not limited to floors, cabinets, walls, etc.
14. Damages caused by: services performed by unauthorized service companies; use of parts other than genuine Electrolux parts or parts obtained from persons other than authorized service companies; or external causes such as abuse, misuse, inadequate power supply, accidents, fires, or acts of God.

DISCLAIMER OF IMPLIED WARRANTIES; LIMITATION OF REMEDIES

CUSTOMER'S SOLE AND EXCLUSIVE REMEDY UNDER THIS LIMITED WARRANTY SHALL BE REPAIR OR REPLACEMENT AS PROVIDED HEREIN. **CLAIMS BASED ON IMPLIED WARRANTIES, INCLUDING WARRANTIES OF MERCHANTABILITY OR FITNESS FOR A PARTICULAR PURPOSE, ARE LIMITED TO ONE YEAR OR THE SHORTEST PERIOD ALLOWED BY LAW, BUT NOT LESS THAN ONE YEAR.** ELECTROLUX SHALL NOT BE LIABLE FOR CONSEQUENTIAL OR INCIDENTAL DAMAGES SUCH AS PROPERTY DAMAGE AND INCIDENTAL EXPENSES RESULTING FROM ANY BREACH OF THIS WRITTEN LIMITED WARRANTY OR ANY IMPLIED WARRANTY. SOME STATES AND PROVINCES DO NOT ALLOW THE EXCLUSION OR LIMITATION OF INCIDENTAL OR CONSEQUENTIAL DAMAGES, OR LIMITATIONS ON THE DURATION OF IMPLIED WARRANTIES, SO THESE LIMITATIONS OR EXCLUSIONS MAY NOT APPLY TO YOU. THIS WRITTEN WARRANTY GIVES YOU SPECIFIC LEGAL RIGHTS. YOU MAY ALSO HAVE OTHER RIGHTS THAT VARY FROM STATE TO STATE.

If You Need Service

Keep your receipt, delivery slip, or some other appropriate payment record to establish the warranty period should service be required. If service is performed, it is in your best interest to obtain and keep all receipts. Service under this warranty must be obtained by contacting Electrolux at the addresses or phone numbers below.

This warranty only applies in the USA, Puerto Rico and Canada. In the USA and Puerto Rico, your appliance is warranted by Electrolux Major Appliances North America, a division of Electrolux Home Products, Inc. In Canada, your appliance is warranted by Electrolux Canada Corp. Electrolux authorizes no person to change or add to any obligations under this warranty. Obligations for service and parts under this warranty must be performed by Electrolux or an authorized service company. Product features or specifications as described or illustrated are subject to change without notice.

USA

1-877-435-3287

Electrolux Major Appliances North America

P.O. Box 212378

Augusta, GA 30907

Canada

1-800-265-8352

Electrolux Canada Corp.

5855 Terry Fox Way

Mississauga, Ontario, Canada L5V 3E4



Before You Call

TROUBLESHOOTING GUIDE

Before calling for service, review this list. It may save you time and expense. This list includes common occurrences that are not the result of defective workmanship or materials in this appliance.

Problem	Cause	Correction
Refrigerator Operation		
Refrigerator does not run.	<ul style="list-style-type: none"> Refrigerator is plugged into a circuit that has a ground fault interrupt. Temperature control is in the OFF position. Refrigerator may not be plugged in, or plug may be loose. House fuse blown or tripped circuit breaker. Power outage. 	<ul style="list-style-type: none"> Use another circuit. If you are unsure about the outlet, have it checked by a certified technician. See “Temperature Control” Section. Ensure plug is tightly pushed into outlet Check/replace fuse with a 15 amp time-delay fuse. Reset circuit breaker. Check house lights. Call local Electric Company.
Refrigerator runs too much or too long.	<ul style="list-style-type: none"> Room or outside weather is hot. Refrigerator has recently been disconnected for a period of time. Large amounts of warm or hot food have been stored recently. Doors are opened too frequently or too long. Refrigerator door may be slightly open. Temperature Control is set too low. Refrigerator gasket is dirty, worn, cracked, or poorly fitted. 	<ul style="list-style-type: none"> It's normal for the refrigerator to work harder under these conditions. It takes 4 hours for the refrigerator to cool down completely. Warm food will cause refrigerator to run more until the desired temperature is reached. Warm air entering the refrigerator causes it to run more. Open doors less often. See “Door Problems” in the “Before You Call” Section. Turn control knob to a warmer setting. Allow several hours for the temperature to stabilize. Clean or change gasket. Leaks in the door seal will cause refrigerator to run longer in order to maintain desired temperature.
Interior refrigerator temperature is too cold.	<ul style="list-style-type: none"> Temperature control is set too low. 	<ul style="list-style-type: none"> Turn the control to a warmer setting. Allow several hours for the temperature to stabilize.
Interior refrigerator temperature is too warm.	<ul style="list-style-type: none"> Temperature control is set too warm. Door is kept open too long or is opened too frequently. Door may not be sealing properly. Large amounts of warm or hot food may have been stored recently. Refrigerator has recently been disconnected for a period of time. 	<ul style="list-style-type: none"> Turn control to a colder setting. Allow several hours for the temperature to stabilize. Warm air enters the refrigerator every time the door is opened. Open the door less often. See “Door Problems” in the “Before You Call” Section. Wait until the refrigerator has had a chance to reach its selected temperature. Refrigerator requires 4 hours to cool down completely.
Refrigerator external surface temperature is warm.	<ul style="list-style-type: none"> The external refrigerator walls can be as much as 30°F warmer than room temperature. 	<ul style="list-style-type: none"> This is normal while the compressor works to transfer heat from inside the refrigerator cabinet.



Before You Call

Problem	Cause	Correction
Sound and Noise		
Louder sound levels whenever refrigerator is on.	<ul style="list-style-type: none"> Modern refrigerators have increased storage capacity and more stable temperatures. They require a high efficiency compressor. 	<ul style="list-style-type: none"> This is normal. When the surrounding noise level is low, you might hear the compressor running while it cools the interior.
Longer sound levels when compressor comes on.	<ul style="list-style-type: none"> Refrigerator operates at higher pressures during the start of the ON cycle. 	<ul style="list-style-type: none"> This is normal. Sound will level off or disappear as refrigerator continues to run.
Popping or cracking sound when compressor comes on.	<ul style="list-style-type: none"> Metal parts undergo expansion and contraction, as in hot water pipes. 	<ul style="list-style-type: none"> This is normal. Sound will level off or disappear as refrigerator continues to run.
Bubbling or gurgling sound, like water boiling.	<ul style="list-style-type: none"> Refrigerant (used to cool refrigerator) is circulating throughout the system. 	<ul style="list-style-type: none"> This is normal.
Vibrating or rattling noise.	<ul style="list-style-type: none"> Refrigerator is not level. It rocks on the floor when it is moved slightly. Floor is uneven or weak. Refrigerator rocks on floor when it is moved slightly. Refrigerator is touching the wall. 	<ul style="list-style-type: none"> Level the unit. Refer to “Leveling” in the “Installation” Section. Ensure floor can adequately support refrigerator. Level the refrigerator by putting wood or metal shims under part of the refrigerator. Relevel the refrigerator or move refrigerator slightly. Refer to “Leveling” in the “Installation” Section.
Snapping sound.	<ul style="list-style-type: none"> Cold Control turning the refrigerator on and off. 	<ul style="list-style-type: none"> This is normal.
Water/Moisture/Frost Inside Refrigerator		
Moisture forms on the inside of refrigerator walls.	<ul style="list-style-type: none"> Weather is hot and humid, which increases internal rate of frost build-up. Door may not be sealing properly. Door is kept open too long, or is opened too frequently. 	<ul style="list-style-type: none"> This is normal. See “Door Problems” in the “Before You Call” Section. Open the door less often.
Water/Moisture/Frost Outside Refrigerator		
Moisture forms on the outside of refrigerator.	<ul style="list-style-type: none"> Door may not be sealing properly, causing the cold air from inside the refrigerator to meet warm moist air from outside. 	<ul style="list-style-type: none"> See “Door Problems” in the “Before You Call” Section.



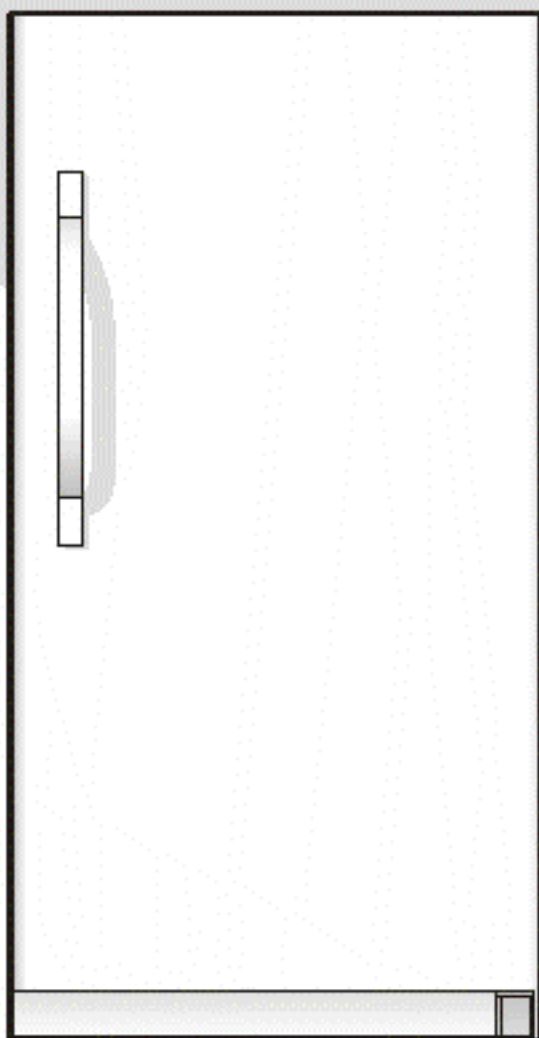
Before You Call

Problem	Cause	Correction
Odor in Refrigerator		
Odors in refrigerator.	<ul style="list-style-type: none">Interior needs to be cleaned.Foods with strong odors are in the refrigerator.	<ul style="list-style-type: none">Clean interior with sponge, warm water, and baking soda.Cover the food tightly.
Door Problems		
Door will not close.	<ul style="list-style-type: none">Refrigerator is not level. It rocks on the floor when it is moved slightly.Floor is uneven or weak. Refrigerator rocks on floor when it is moved slightly.	<ul style="list-style-type: none">This condition can force the cabinet out of square and misalign the door. Refer to “Leveling” in the “Installation” Section.Level the floor by using wood or metal shims under the refrigerator or brace floor supporting the refrigerator.
Light Bulb Is Not On		
Light bulb is not on.	<ul style="list-style-type: none">Light bulb is burned out.No electric current is reaching the refrigerator.	<ul style="list-style-type: none">Follow directions under “Interior Light” or “Mid Level Light” in the “Refrigerator Features” Section.See “Refrigerator Operation” in the “Before You Call” Section.

Manuel d'utilisation et d'entretien

Monoporte

Réfrigérateur



Bienvenue et Félicitations.....	2
Les Instructions Importantes de Sûreté ..	3
Installation.....	4-5
Commandes de Température	5
Caractéristiques du Réfrigérateur.....	6-7
Conseils Pour Économiser L'énergie	8
Entretien et Nettoyage	9
Garantie	10
Avant D'appeler	11-13



Bienvenue et Félicitations

Félicitations pour l'achat de votre nouveau réfrigérateur!
Nous sommes très fiers de nos produits et nous sommes déterminés à vous offrir le meilleur service possible. Votre satisfaction est notre priorité.

Nous sommes certains que vous apprécierez votre nouveau réfrigérateur et **merci** d'avoir choisi un de nos produits. Nous souhaitons que vous nous soyez fidèles pour vos prochains achats.

VEUILLEZ LIRE CES INSTRUCTIONS ET LES CONSERVER

Ce Manuel d'utilisation et d'entretien fournit des instructions de fonctionnement spécifiques pour votre modèle. N'utilisez votre réfrigérateur que de la façon indiquée dans ce manuel. Ces instructions n'ont pas la prétention de couvrir toutes les conditions ou situations susceptibles de se produire. Il faut faire preuve de bon sens et de prudence chaque fois que l'on installe un appareil, qu'on le fait fonctionner ou qu'on en fait la maintenance.

Veillez indiquer les numéros de modèle et de série ci-dessous pour référence future. Ces informations se trouvent sur la plaque signalétique située à l'intérieur de votre réfrigérateur.



REMARQUE

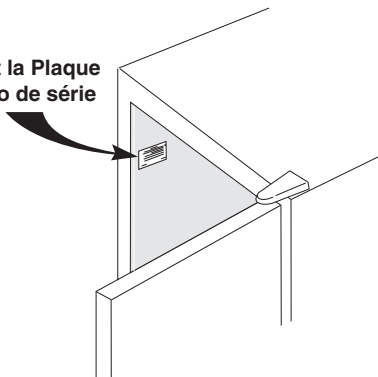
N'utilisez que de l'eau et du savon pour nettoyer la plaque signalétique.

Numéro de modèle: _____

Numéro de série: _____

Date de l'achat: _____

Modèle et la Plaque
de Numéro de série



S'IL VOUS PLAÎT COMPLÉTER ET ENVOYER PAR LA POSTE LA CARTE D'ENREGISTREMENT DE PRODUIT INCLUSE AVEC VOTRE CONGÉLATEUR.

Versión en español

Si desea obtener una copia en español de este Manual del Usuario, sívase escribir a la dirección que se incluye a continuación. Solicite la P/N 297211100.

Spanish Owner's Guides

Electrolux Home Products

P.O. Box 212378

Augusta, GA 30917



Les Instructions Importantes de Sûreté



AVERTISSEMENT

Veillez lire toutes instructions avant d'utiliser ce réfrigérateur.

POUR VOTRE SÉCURITÉ

- Ne pas ranger ni utiliser d'essence ou tout autre liquide inflammable à proximité de cet appareil ou de tout autre appareil. Lire les étiquettes du produit pour vous informer de tout indice d'inflammabilité ou de toutes autres précautions d'usage.
- Ne pas faire fonctionner le réfrigérateur en présence d'émanations explosives.
- Éviter tout contact avec les pièces mobiles de la glacière automatique.
- Enlever toutes les agrafes du carton. Les agrafes peuvent causer des coupures importantes et endommager le fini des meubles et des appareils électroménagers.

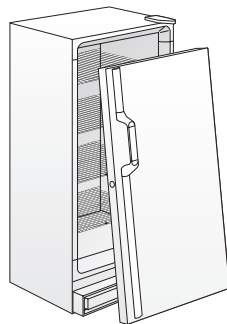
LA SÉCURITÉ DES ENFANTS

Jeter au rebut ou recycler le carton, les sacs de plastique et tous les autres matériaux d'emballage immédiatement après avoir déballé le réfrigérateur. Les enfants ne devraient jamais jouer avec ces matériaux. Les morceaux de carton couverts de tapis, d'un couvre-lit, de feuilles de plastique ou de film étirable peuvent facilement se transformer en construction étanche et causer rapidement l'asphyxie.

MISE AU REBUT APPROPRIÉE DE VOTRE RÉFRIGÉRATEUR OU CONGÉLATEUR

Risque de piégeage des enfants

Le piégeage et la suffocation d'enfants n'est pas un problème du passé. Les réfrigérateurs et les congélateurs au rebut ou abandonnés sont toujours dangereux-même pour quelques jours. Si vous vous débarrasser de votre vieux réfrigérateur ou congélateur, veuillez suivre les consignes suivantes pour éviter les accidents.



Avant de jeter au rebut votre vieux réfrigérateur/ congélateur:

- Enlever les portes.
- Laissez les tablettes en place pour empêcher que les enfants n'y entrent facilement.
- Faites enlever le réfrigérant par un technicien qualifié.



AVERTISSEMENT

Ces directives doivent être suivies pour assurer le bon fonctionnement des dispositifs de sécurité de ce réfrigérateur.

ÉLECTRICITÉ

- **Reportez-vous à la plaque signalétique pour connaître les caractéristiques nominales du courant.** Le cordon de l'appareil est muni d'une fiche à trois broches avec mise à la terre pour éviter les décharges électriques. Le circuit d'alimentation doit être monté en conformité avec l'édition actuelle du National Electrical Code (NFPA 70) et selon les codes et ordonnances locaux. Consultez un électricien qualifié. Les prises avec un mise à terre fault circuit interrupteur NE SONT PAS RECOMMANDÉES. **N'utilisez pas de cordon prolongateur ni de fiche d'adaptation.**
- Si la tension varie de 10% ou plus, les performances de votre réfrigérateur risquent d'en être affectées, et le moteur endommagé. Un tel dommage n'est pas couvert par la garantie. Si vous soupçonnez que la tension est élevée ou basse, communiquez avec votre compagnie d'électricité.
- Pour éviter que le réfrigérateur ne soit accidentellement débranché, ne le branchez pas dans une prise commandée par un interrupteur mural ou un cordon de tirage.
- Ne pincez pas, ne tordez pas, ne nouez pas le cordon d'alimentation.
- Pour dégivrer le réfrigérateur, débranchez toujours l'unité.
- Ne débranchez pas le réfrigérateur en tirant sur le cordon. Saisissez toujours bien la fiche et sortez-la de la prise en tirant droit vers vous.



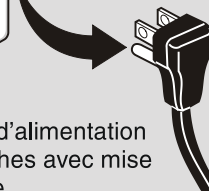
IMPORTANT

En mettant la commande sur « OFF » (ARRÊT), vous ne coupez pas l'alimentation de l'ampoule ni des autres composants électriques, mais du compresseur seulement.

Prise murale avec mise à la terre



Ne jamais couper, enlever ou contourner la broche de mise à la terre.



Cordon d'alimentation à 3 broches avec mise à la terre



Installation

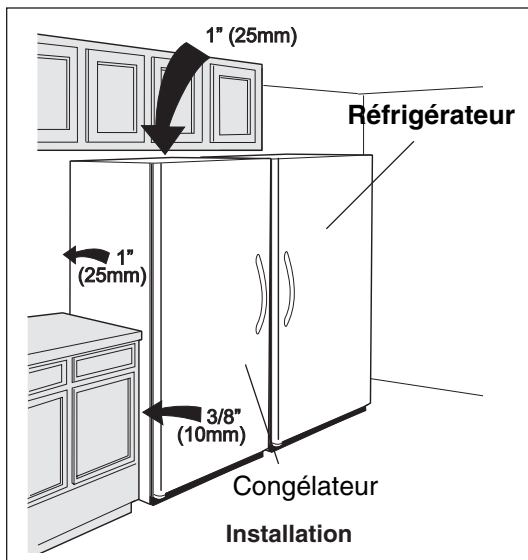
Ce guide d'utilisation et d'entretien contient des instructions d'utilisation spécifiques à votre modèle. Utilisez votre réfrigérateur en suivant les instructions présentées dans ce guide seulement. **Avant de mettre le réfrigérateur en marche, suivez ces étapes initiales importantes.**

EMPLACEMENT

- Placer le réfrigérateur près d'une prise de mise à la terre. N'utilisez pas de rallonge ni de fiche d'adaptation.
- Pour permettre un fonctionnement des plus efficaces, le réfrigérateur doit être placé dans un endroit où la température ambiante ne descend pas sous 5°C (40°F) ou n'excède pas 43°C (110°F).
- Respectez les distances suivantes pour faciliter l'installation, ne bonne circulation d'air ainsi que les connexions électriques :

Côtés 10 mm (3/8 po)
Derrière et dessus 25 mm (1 po)

- N'obstruez pas la grille de protection située à l'avant de votre réfrigérateur. Une bonne circulation d'air est essentielle pour que votre réfrigérateur fonctionne correctement.



REMARQUE

Les murs externes du réfrigérateur peuvent devenir chauds lorsque le compresseur fonctionne pour transférer la chaleur présente à l'intérieur. La température des murs peut atteindre jusqu'à 15°C (30°F) de plus que la température ambiante.

OUVERTURE DE LA PORTE



REMARQUE

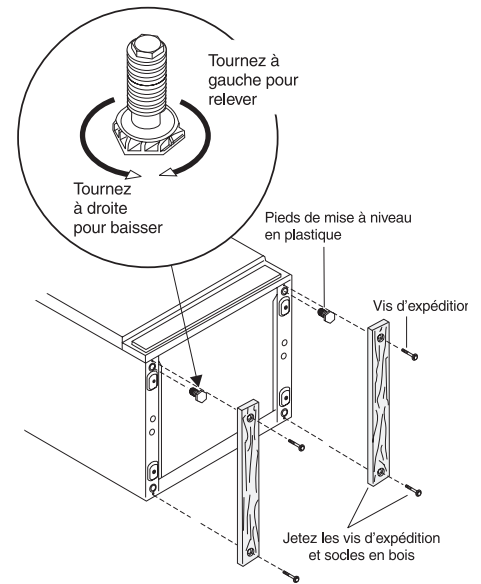
Si votre réfrigérateur est positionné contre un mur sur le côté des charnières, vous devrez peut-être le distancer du mur pour permettre une plus grande ouverture de la porte.

MISE À NIVEAU

Les quatre coins de votre réfrigérateur doivent reposer fermement sur un plancher solide. Le plancher doit être assez solide pour supporter le poids de l'appareil une fois plein. **REMARQUE:** Il est **très important** que votre réfrigérateur soit mis à niveau pour fonctionner correctement. Si le réfrigérateur n'est pas mis à niveau durant l'installation, la porte peut être désalignée et ne pas fermer correctement ou de manière hermétique, ce qui cause des problèmes de refroidissement, de givre et d'humidité.

Pour mettre le réfrigérateur à niveau :

Après avoir jeté les vis de mise en caisse et la base de bois, utilisez un niveau de charpentier pour mettre le réfrigérateur à niveau de l'avant vers l'arrière. Ajustez les pieds de mise à niveau avant plus haut d'une demi-patte de manière à ce que la porte se referme facilement si elle est laissée à moitié ouverte.



Instructions de mise à niveau pour l'ensemble tout-réfrigérateur/tout-congélateur :

- Enlevez les deux pieds de mise à niveau fournis dans la pochette de documentation. Pendant que l'appareil est couché sur le dos pour enlever la palette de bois, installez les deux pieds de mise à niveau à l'arrière de l'appareil.
- Mettez à niveau la porte du premier appareil en utilisant les quatre pieds de mise à niveau et faites glisser l'appareil en place. Vérifiez à nouveau la mise à niveau et ajustez-la au besoin.
- Mesurez la distance entre le plancher et le bas de la porte du premier appareil. Ajustez et mettez à niveau le deuxième appareil de manière à ce que la hauteur des portes soit la même.
- Ajustements des pieds de mise à niveau
 - Faites faire un tour complet à chacun des quatre pieds de mise à niveau pour élever la porte. (0,4 cm) (5/32 po).
 - Faites faire un tour complet aux deux pieds de mise à niveau avant pour élever la porte de 0,5 cm (3/16 po) et pencher le haut de la porte de 1 cm (7/16 po) vers l'arrière.
 - Faites faire un tour complet aux deux pieds de mise à niveau arrière pour abaisser la porte de 0,8 cm (1/32 po) et pencher le haut de la porte de 1 cm (7/16 po) vers l'avant.
 - Faites faire un tour complet aux deux pieds de mise à niveau du côté pour élever la porte de 0,5 cm (3/16 po) et pencher le haut de la porte de 1 cm (3/8 po).



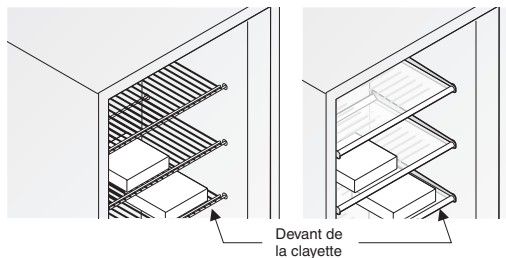
Installation (Continué)

- Faites glisser le deuxième appareil en place en laissant un espace d'un minimum de 0,5 cm (3/16 po) entre les deux appareils afin de faciliter l'ouverture des portes.
- Pour cette dernière étape, vous devrez peut-être déplacer le deuxième appareil au moins une fois afin de bien aligner et encastrer les appareils.



AVERTISSEMENT

Pour permettre à la porte de se fermer hermétiquement, l'emballage des aliments NE doit PAS dépasser le devant des clayettes.



DÉPOSE DE LA PORTE

S'il faut enlever la porte:

- 1 Poser doucement le réfrigérateur sur sa partie arrière, sur un tapis ou une couverture.
- 2 Enlever les deux vis du panneau inférieur et le panneau lui-même.
- 3 Retirer les vis de charnière inférieure.
- 4 Retirer le couvre-charnière supérieur en plastique.
- 5 Enlever les vis de la charnière supérieure.
- 6 Enlever la charnière supérieure de la caisse.
- 7 Enlever la porte et la charnière inférieure de la caisse.
- 8 Pour remettre la porte en place, procéder inversement et bien serrer toutes les vis pour éviter que les charnières ne glissent.



Commandes de Température

PÉRIODE DE REFROIDISSEMENT

Pour assurer une bonne conservation des aliments, laissez le réfrigérateur refroidir complètement pendant 4 heures. Le réfrigérateur fonctionnera continuellement les quelques premières heures.

COMMANDE DE LA TEMPÉRATURE

La commande de la température est située à l'intérieur du compartiment réfrigérateur. La température est préprogrammée à l'usine afin d'offrir des températures satisfaisantes de conservation de la nourriture.

Cependant, la commande de température peut être ajustée pour satisfaire vos exigences personnelles. Si vous désirez une température plus froide, tournez le bouton vers COLDEST (Plus froid) et allouez plusieurs heures pour permettre aux températures de se stabiliser entre les ajustements.



Contrôle froid



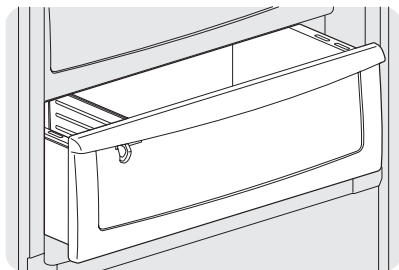
Caractéristiques du Réfrigérateur

ÉCLAIRAGE INTÉRIEUR

La lampe s'allume automatiquement à l'ouverture de la porte. Pour remplacer l'ampoule, tournez la commande de température sur «OFF» (ARRÊT) **et débranchez le cordon électrique**. Remplacez l'ampoule par une autre de même puissance.

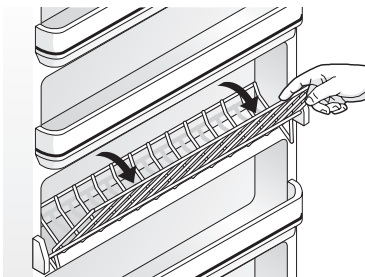
LÉGUMES AVEC DIVISEURS RÉGLABLES (CERTAIN MODÈLES)

Les bacs à légumes sont situés sur l'étagère du bas du réfrigérateur et sont conçus pour ranger les fruits, les légumes et d'autres produits frais. Lavez les aliments à l'eau claire et éliminez le surplus d'eau avant de les mettre dans les bacs à légumes. Les articles qui ont un taux d'humidité élevé ou une odeur forte doivent être enveloppés avant d'être rangés. Les séparateurs peuvent être réglés pour pouvoir ranger des articles de différentes tailles dans le bac à légumes.



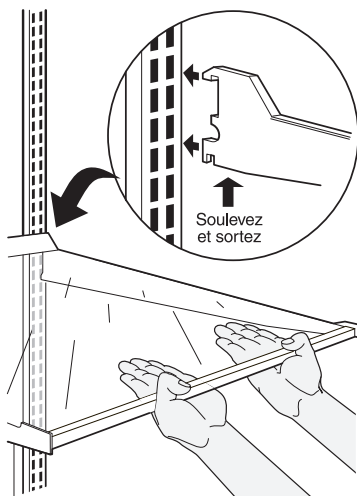
PENCHE-HORS ETAGÈRE

Cette étagère est localisée à l'intérieur sur la porte de réfrigérateur et fournit l'espace de stockage supplémentaire. Pour accéder à un article, un sommet de pente d'étagère de « panier » en bas.



CLAYETTES INTÉRIEURES RÉGLABLES

Les clayettes intérieures à multi-positions peuvent être déplacées à toute position selon la dimension des paquets. Les entretoises d'expédition qui stabilisent les clayettes lors de l'expédition peuvent être enlevées et jetées.



Clayettes intérieures réglables - modèles droits

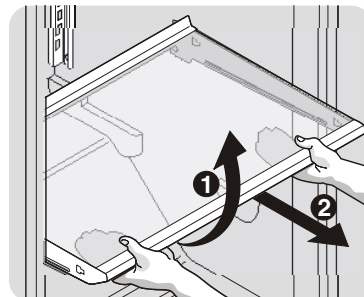
POUR AJUSTER LES CLAYETTES EN PORTE-À-FAUX :

REMARQUE

Les clayettes en porte-à-faux sont fixées à l'arrière du réfrigérateur.

- 1 Soulevez le bord avant de la clayette.
- 2 Retirez la clayette.

Remplacez la clayette en insérant les crochets situés à l'arrière de la clayette dans le support mural. Abaissez la clayette dans les fentes désirées et verrouillez-la en place.

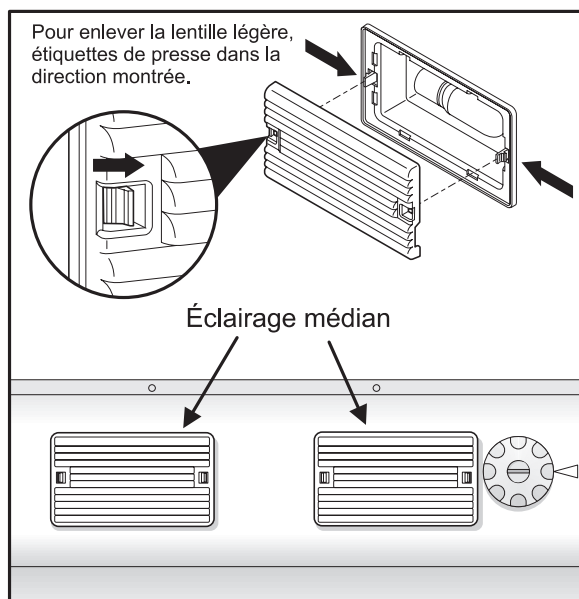


MISE EN GARDE

Pour éviter les dommages personnels d'orproperty de blessure, la poignée verre tempéré rayonne soigneusement. Rayonne peut se casser soudain si nicked, gratté, ou exposé au changement de temperature soudain.

ÉCLAIRAGE MÉDIAN

La lumière s'allume automatiquement à l'ouverture de la porte. Pour remplacer l'ampoule, réglez la commande de température à la position OFF (arrêt) **et débranchez le cordon électrique**. Retirez le pare-lumière du boîtier de l'ampoule avec vos doigts ou à l'aide d'un tournevis. Prenez garde de ne pas casser les pattes de verrouillage situées sur le boîtier de l'ampoule. Remplacez la vieille ampoule par une nouvelle de même type et de même wattage. Pour replacer le pare-lumière, insérez l'une des pattes du boîtier de l'ampoule dans l'une des ouvertures du pare-lumière, puis fixez la deuxième patte dans l'autre ouverture.





Caractéristiques du Réfrigérateur (Continué)

RANGEMENTEN CONTRE-PORTE

Les huches de porte et rayonne sont pourvu à l'emmagasinage commode de pots, aux bouteilles, et aux boîtes. Les articles fréquemment utilisés peuvent être rapidement choisis.

Quelques modèles ont les huches de porte qui peuvent accommoder gallon-calibré les récipients de boisson en plastique et les pots d'économie-calibré et les récipients. Quelques huches sont ajustables pour la capacité de stockage maximum.

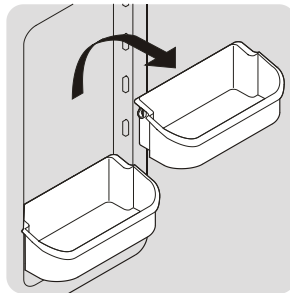
Le compartiment laitier, qui est plus chaud que la nourriture la générale section de stockage, est projeté pour l'emmagasinage à court terme de fromage, de diffusions, ou de beurre.

BALCONNETS REGLABLES

Quelques modèles ont les huches de porte ajustables qui peuvent être déplacées tosuit les besoins individuels.

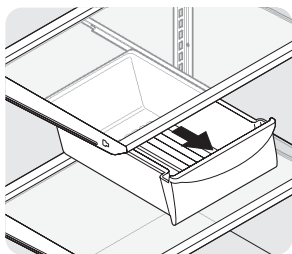
Pour déplacer les huches de porte:

- 1 Elever l'huche droite.
- 2 Enlever l'huche.
- 3 Placer l'huche dans la position désirée.
- 4 Abaisser l'huche sur les soutiens jusqu' à fermé à clef à sa place.

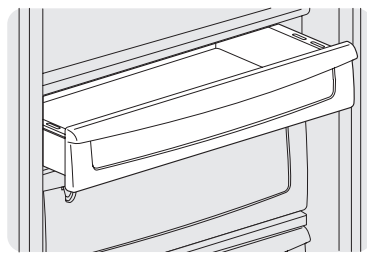


TIROIR DE CHARCUTERIE (CERTAIN MODÈLES)

Ce modèle est équipé avec un Lisse Plane le Tiroir de Charcuterie pour l'emmagasinage de viandes de déjeuner, les diffusions, les fromages, et les autres articles de charcuterie.



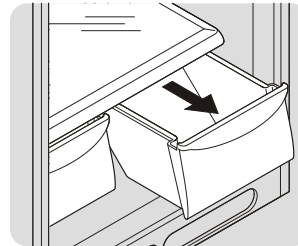
Le Tiroir de charcuterie (Quelques Modèles)



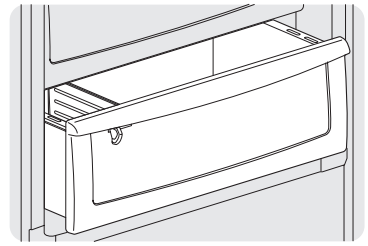
Le Tiroir de charcuterie (Quelques Modèles)

BACS À FRUITS ET LÉGUMES (CERTAINS MODÈLES)

Les bacs à fruits et légumes sont situés sur l'étagère du bas du réfrigérateur et sont conçus pour ranger les fruits, les légumes et d'autres produits frais. Lavez les aliments à l'eau claire et éliminez le surplus d'eau avant de les mettre dans les bacs à fruits et à légumes. Les articles qui ont un taux d'humidité élevé ou une odeur forte doivent être enveloppés avant d'être rangés.



Bacs à fruits et légumes (certains modèles)



Le compartiment à légumes avec les intercalaires ajustables (certains modèles)

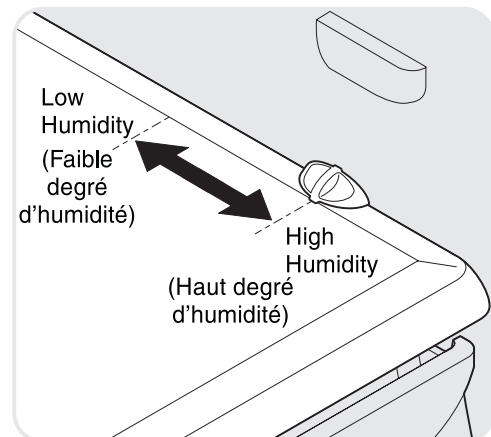
COMMANDE D'HUMIDITÉ (CERTAIN MODÈLES)

La commande d'humidité vous permet de régler le taux d'humidité présente dans le bac à légumes. Ceci peut prolonger la durée de conservation de certains légumes frais qui se conservent mieux si l'humidité est élevée.



REMARQUE

Les légumes à feuilles se conservent mieux dans un bac lorsque la commande d'humidité est réglée à HUMIDITÉ ÉLEVÉE ou dans un tiroir ne comportant pas de commande d'humidité. La circulation d'air est ainsi minimisée et l'humidité est maintenue à son niveau maximum.





CONSEILS SUR LA CONSERVATION DES ALIMENTS

Conservation des aliments frais

- Le compartiment pour la nourriture fraîche doit être maintenu entre 1,1 °C et 4,4 °C (34 °F et 40 °F), la température idéale étant 2,7 °C (37 °F).
- Éviter de surcharger les clayettes du réfrigérateur. Cela réduit la circulation d'air autour des aliments et amène un refroidissement inégal.

Fruits et légumes

- Les bacs à légumes emprisonnent l'humidité afin d'aider à conserver la qualité des fruits et des légumes pendant plus longtemps.

Viande

- La viande et la volaille non cuites doivent être bien emballées afin d'éviter la contamination des autres aliments et des surfaces.

CONSEILS EN MATIÈRE D'ÉCONOMIE D'ÉNERGIE



- Placez le réfrigérateur dans l'endroit le plus froid de la pièce, éloigné de la lumière du soleil et des conduits de chauffage ou appareils producteurs de chaleur.
- Laissez les aliments chauds refroidir à la température de la pièce avant de les ranger dans

le réfrigérateur. La surcharge du réfrigérateur oblige le compresseur à fonctionner plus longtemps. Les aliments qui congèlent trop doucement risquent de perdre leur qualité ou de se gâter.

- Enveloppez correctement les aliments et essuyez les contenants avant de les ranger dans le réfrigérateur. Ceci diminue la condensation à l'intérieur du réfrigérateur.
- Les clayettes ne devraient pas être recouvertes de papier aluminium, papier ciré ou essuie-tout. Ces revêtements entravent la circulation de l'air froid, ce qui diminue l'efficacité du réfrigérateur.
- Rangez bien les aliments et étiquetez-les pour réduire les ouvertures de porte et les recherches prolongées. Prenez autant d'articles que possible en même temps et fermez aussitôt la porte ou le couvercle.

CONSEILS DE VACANCES ET DÉMÉNAGEMENT

Courtes vacances:

Laissez le réfrigérateur fonctionner pendant des congés de une à trois semaines.

Longues vacances:

Si le réfrigérateur n'est pas utilisé pendant plusieurs mois:

- Enlevez toute la nourriture, tournez la commande sur «OFF» (ARRÊT) et débranchez le cordon.
- Nettoyez et séchez l'intérieur soigneusement.
- Laissez la porte ou le couvercle légèrement ouvert en bloquant au besoin, pour empêcher moisissure et odeur.

Déménagement:

- Débranchez le cordon.
- Enlevez toute la nourriture, dégivrez le réfrigérateur et nettoyez-le.
- À l'aide du ruban, attachez les pièces mobiles aux réfrigérateurs pour empêcher dommage.
- Dans le véhicule, le réfrigérateur doit être dans une position droite. Assurez la sécurité du réfrigérateur, pour empêcher le mouvement. Couvrez l'extérieur avec une couverture, ou autre article similaire, pour protéger-le.



Entretien et Nettoyage

Gardez votre réfrigérateur propre pour éviter les odeurs. Essuyez immédiatement tout renversement et nettoyez-le au moins deux fois par année. N'utilisez jamais de tampons à récurer métalliques, brosses, nettoyeurs abrasifs ou solutions alcalines fortes pour nettoyer votre réfrigérateur. Ne lavez aucune des pièces amovibles dans le lave-vaisselle. **Débranchez toujours le cordon d'alimentation de la prise murale avant de nettoyer.**

MISE EN GARDE

- Lorsque vous déplacez le réfrigérateur, tirez en le tenant bien droit. Ne faites pas osciller le réfrigérateur d'un côté à l'autre puisque vous pourriez déchirer ou entailler le revêtement de sol.
- Etouffer des objets enfoncent aux surfaces en métal froides. Ne pas toucher les surfaces intérieures de métal avec les mains mouillées ou humides.

REMARQUE

- En mettant la commande de température à la position « OFF », vous éteignez le compresseur. Cependant, l'alimentation de l'ampoule et des autres composants électriques n'est pas coupée. **Pour couper l'alimentation de votre réfrigérateur, vous devez débrancher le cordon d'alimentation de la prise murale.**
- N'utilisez pas de lame de rasoir ou tout autre instrument pointu pouvant rayer la surface de l'appareil lorsque vous enlevez les étiquettes adhésives. La colle laissée par le ruban ou les étiquettes peut être enlevée à l'aide d'un mélange d'eau chaude et de détergent doux ou en touchant le résidu de colle avec le côté collant du ruban que vous avez déjà enlevé. **N'enlevez pas la plaque signalétique.**

Tableau d'entretien et de nettoyage

Pièce	Produits à utiliser	Conseils et précautions
Revêtement intérieur et revêtement de porte	<ul style="list-style-type: none"> • Eau savonneuse • Bicarbonate de soude et eau 	Utilisez 30 mL de bicarbonate de soude dans 1 L d'eau chaude. Essorez bien l'eau de l'éponge ou du chiffon avant de nettoyer autour des commandes, de l'ampoule ou de toute pièce électrique.
Joints des portes	<ul style="list-style-type: none"> • Eau savonneuse 	Essuyez les joints avec un chiffon propre et doux.
Bacs et balconnets	<ul style="list-style-type: none"> • Eau savonneuse 	Ne lavez aucune des pièces amovibles (bacs, balconnets, etc.) dans le lave-vaisselle.
Clayettes en verre	<ul style="list-style-type: none"> • Eau savonneuse • Produit à vitres • Pulvérisation liquide douce 	Laissez le verre se réchauffer à la température ambiante avant de l'immerger dans l'eau chaude.
Extérieur et poignées	<ul style="list-style-type: none"> • Eau savonneuse • Produit à vitre non abrasif 	N'utilisez pas de nettoyant ménager commercial, de l'ammoniaque ou de l'alcool pour nettoyer les poignées. Utilisez un chiffon doux pour polir les poignées. N'utilisez pas un chiffon sec pour nettoyer les portes lisses.
Extérieur et poignées (Modèles en acier inoxydable seulement)	<ul style="list-style-type: none"> • Eau savonneuse • Ammoniaque • Nettoyant pour acier inoxydable 	Nettoyez l'avant et les poignées en acier inoxydable avec un chiffon à vaisselle imbibé d'eau savonneuse. Rincez avec un chiffon doux imbibé d'eau propre. Nettoyez les taches rebelles avec un essuie-tout imbibé d'ammoniaque et rincez. Utilisez un nettoyant pour acier inoxydable non abrasif. Ces nettoyants peuvent être achetés dans la plupart des magasins de bricolage ou dans les grands magasins. Suivez toujours les instructions du fabricant. REMARQUE : Nettoyez, essuyez et séchez toujours dans le sens des stries pour éviter les rayures. Lavez le reste de l'extérieur avec de l'eau chaude et un détergent liquide doux. Rincez bien et séchez avec un chiffon propre et doux.



Garantie

Renseignements concernant la garantie sur les gros appareils électroménagers

Votre appareil est couvert par une garantie limitée d'un an. Pendant un an à partir de la date d'achat d'origine, Electrolux réparera ou remplacera les pièces de cet appareil qui présentent un défaut de matériaux ou de fabrication, si cet appareil est installé, utilisé et entretenu selon les instructions fournies. De plus, le revêtement de la caisse et le système hermétique de réfrigération (compresseur, condenseur, évaporateur, déshydrateur ou conduite) de votre appareil sont couverts par une garantie limitée de la deuxième à la cinquième année. Durant la période s'étendant de la deuxième à la cinquième année à partir de la date d'achat d'origine, Electrolux réparera ou remplacera le revêtement de la caisse et les pièces du système hermétique de réfrigération qui présentent un défaut de matériaux ou de fabrication, si cet appareil est installé, utilisé et entretenu selon les instructions fournies.

Exclusions

Cette garantie ne couvre pas ce qui suit :

1. Les produits dont le numéro de série d'origine a été enlevé, modifié ou n'est pas facilement lisible.
2. Les appareils qui ont changé de propriétaire ou qui se trouvent à l'extérieur des États-Unis ou du Canada.
3. La présence de rouille à l'intérieur ou à l'extérieur de l'appareil.
4. Les produits vendus « tels quels » ne sont pas couverts par cette garantie.
5. La perte d'aliments causée par une panne du réfrigérateur ou du congélateur.
6. Les produits utilisés dans des établissements commerciaux.
7. Les appels de service qui ne concernent pas un mauvais fonctionnement, un défaut de matériaux ou de fabrication, ou pour les appareils qui ne font pas l'objet d'un usage domestique ou qui ne sont pas utilisés conformément aux instructions fournies.
8. Les appels de service pour vérifier l'installation de votre appareil ou pour obtenir des instructions concernant l'utilisation de votre appareil.
9. Les frais engagés pour rendre l'appareil accessible pour une réparation, par exemple l'enlèvement des garnitures, des armoires, des étagères, etc., qui ne faisaient pas partie de l'appareil lorsqu'il a quitté l'usine.
10. Les appels de service qui concernent la réparation ou le remplacement des ampoules, des filtres à air, des filtres à eau ou d'autres articles consommables, ou des boutons, des poignées ou d'autres pièces esthétiques.
11. Les coûts de ramassage et de livraison; votre appareil est conçu pour être réparé à la maison.
12. Les frais supplémentaires comprenant, sans s'y limiter, les appels de service en dehors des heures normales de bureau, en fin de semaine ou un jour férié, les droits de péage, les frais de voyage ou les frais de déplacement pour les appels de service dans des endroits isolés, notamment l'État de l'Alaska.
13. Les dommages causés au fini de l'appareil ou à la maison pendant le transport ou l'installation, ce qui comprend, sans s'y limiter, les planchers, les armoires, les murs, etc.
14. Les dommages causés par : des réparations faites par des techniciens non autorisés; l'utilisation de pièces autres que les pièces Electrolux d'origine ou l'utilisation de pièces qui n'ont pas été obtenues par l'entremise d'un réparateur autorisé; ou les causes externes comme l'abus, la mauvaise utilisation, l'alimentation électrique inadéquate, les accidents, les feux ou les catastrophes naturelles.

AVERTISSEMENT CONCERNANT LES GARANTIES IMPLICITES; LIMITATIONS DES RECOURS

L'UNIQUE RECOURS DU CLIENT EN VERTU DE CETTE GARANTIE LIMITÉE EST LA RÉPARATION OU LE REMPLACEMENT DU PRODUIT COMME DÉCRIT PRÉCÉDEMMENT. **LES RÉCLAMATIONS BASÉES SUR DES GARANTIES IMPLICITES, Y COMPRIS LES GARANTIES IMPLICITES DE QUALITÉ MARCHANDE OU D'ADAPTATION À UN USAGE PARTICULIER, SONT LIMITÉES À UN AN OU À LA PÉRIODE LA PLUS COURTE PERMISE PAR LA LOI, QUI NE DOIT PAS ÊTRE INFÉRIEURE À UN AN.** ELECTROLUX NE POURRA ÊTRE TENUE RESPONSABLE DES DOMMAGES ACCESSOIRES OU INDIRECTS NI DES DOMMAGES MATÉRIELS ET DES DÉPENSES IMPRÉVUES RÉSULTANT D'UNE VIOLATION DE CETTE GARANTIE ÉCRITE OU DE TOUTE AUTRE GARANTIE IMPLICITE. CERTAINS ÉTATS ET CERTAINES PROVINCES NE PERMETTENT AUCUNE RESTRICTION OU EXEMPTION SUR LES DOMMAGES ACCESSOIRES OU INDIRECTS NI RESTRICTION SUR LES GARANTIES IMPLICITES. DANS CE CAS, CES RESTRICTIONS OU EXEMPTIONS POURRAIENT NE PAS ÊTRE APPLICABLES. CETTE GARANTIE ÉCRITE VOUS DONNE DES DROITS LÉGAUX PRÉCIS. SELON L'ÉTAT OU LA PROVINCE, IL SE PEUT QUE VOUS DISPOSIEZ D'AUTRES DROITS.

Si vous devez faire appel au service de réparation

Conservez votre reçu, votre bon de livraison ou toute autre preuve de paiement valide permettant d'établir la période de la garantie au cas où vous auriez besoin de faire appel au service de réparation. Si une réparation est effectuée, il est dans votre intérêt d'obtenir et de conserver tous les reçus. Le service auquel vous avez droit en vertu de cette garantie doit être obtenu en communiquant avec Electrolux aux adresses ou aux numéros de téléphone ci-dessous.

Cette garantie n'est valide qu'aux États-Unis, à Puerto Rico et au Canada. Aux États-Unis et à Puerto Rico, votre appareil est garanti par Electrolux Major Appliances North America, une division d'Electrolux Home Products, Inc. Au Canada, votre appareil est garanti par Electrolux Canada Corp. Personne n'est autorisé à modifier les obligations contenues dans cette garantie ni à y apporter des ajouts. Les obligations de cette garantie concernant la réparation et les pièces doivent être remplies par Electrolux ou par une compagnie de réparation autorisée. Les caractéristiques et les spécifications décrites ou illustrées peuvent être modifiées sans préavis.

États-Unis

1 877 435-3287

Electrolux Major Appliances North America
P.O. Box 212378
Augusta, GA 30907

Canada

1 800 265-8352

Electrolux Canada Corp.
5855 Terry Fox Way
Mississauga, Ontario, Canada L5V 3E4



LISTE DE CONTRÔLE ANTI-PANNE

Avant d'appeler un agent de service, consultez cette liste. Vous pourriez économiser temps et argent. Cette liste décrit les situations courantes qui ne sont causées ni par un défaut de fabrication ni par un matériau défectueux

PROBLÈME	CAUSE	CORRECTION
Opération de Réfrigérateur		
Le réfrigérateur ne fonctionne pas.	<ul style="list-style-type: none"> Le réfrigérateur est branché à un circuit qui a l'interruption de terre-défaut. La commande est à la position «OFF» (ARRÊT). Le réfrigérateur n'est peut être pas branché ou la prise mal branchée. Le fusible ou le coupe-circuit a sauté ou s'est déclenché. Panne de courant. 	<ul style="list-style-type: none"> Utilisez un autre circuit. Si vous êtes incertain de la prise, la font contrôler par un technicien certifié. Voyez “Réglage de la commande de température”. Assurez-vous que la fiche est bien enfoncée dans la prise électrique. Vérifiez/réenclenchez le coupe-circuit ou remplacez le fusible par un fusible de 15 A à action différée. Vérifiez les lumières de la maison. Appelez la compagnie d'électricité de votre région.
Le réfrigérateur fonctionne trop ou trop longtemps.	<ul style="list-style-type: none"> La température ambiante ou à l'extérieur est élevée. Le réfrigérateur a récemment été débranché, pendant quelque temps. De grandes quantités d'aliments chauds ou tièdes ont été rangées récemment. Le réfrigérateur est resté ouvert trop longtemps ou trop fréquemment. Le réfrigérateur est peut-être légèrement ouvert. La commande est placée en position trop froide. Le joint du réfrigérateur est sale, usé, fendillé ou mal ajusté. 	<ul style="list-style-type: none"> Dans ces conditions, il est normal que le réfrigérateur fonctionne plus. Le réfrigérateur a besoin de 4 heures pour refroidir complètement. Les aliments chauds font davantage fonctionner le réfrigérateur et ce, jusqu'à ce qu'il ait atteint la température désirée. De l'air chaud y entre à chaque fois qu'il est ouvert. Ouvrez-le moins souvent. Voyez “PROBLÈMES DE PORTE”. Tournez la commande sur un réglage plus chaud. Attendez plusieurs heures que la température se stabilise. Nettoyez ou remplacez le joint. Des fuites dans le joint peuvent faire fonctionner le réfrigérateur plus longtemps afin de maintenir la température désirée.
Les températures à l'intérieur du réfrigérateur sont trop basses.	<ul style="list-style-type: none"> La commande de température est en position trop froide. 	<ul style="list-style-type: none"> Tournez la commande à un réglage plus chaud. Attendez plusieurs heures que la température se stabilise.



Avant D'appeler

PROBLÈME	CAUSE	CORRECTION
Opération de Réfrigérateur (continu)		
Les températures à l'intérieur du réfrigérateur sont trop élevées.	<ul style="list-style-type: none"> La commande de température est en position trop chaude. Le réfrigérateur est resté ouvert trop longtemps ou trop fréquemment. Le réfrigérateur est peut-être légèrement ouvert. De grandes quantités d'aliments chauds ou tièdes ont été rangées récemment. Le réfrigérateur a récemment été débranché, pendant quelque temps. 	<ul style="list-style-type: none"> Tournez la commande à un réglage plus froid. Attendez plusieurs heures que la température se stabilise. De l'air chaud y entre à chaque fois qu'il est ouvert. Ouvrez-le moins souvent. Voyez “PROBLÈMES DE PORTE”. Attendez que le réfrigérateur ait atteint la température choisie. Le réfrigérateur a besoin de 4 heures pour se refroidir complètement.
La température de la surface externe est élevée.	<ul style="list-style-type: none"> La caisse du réfrigérateur est toujours tiède au toucher. 	<ul style="list-style-type: none"> Le réfrigérateur fonctionne normalement, en retirant l'air chaud de l'intérieur.
BRUITS		
Bruits plus élevés lorsque le réfrigérateur est en marche.	<ul style="list-style-type: none"> Les réfrigérateur d'aujourd'hui ont plus de capacité de rangement et des températures plus uniformes. Ils ont besoin d'un compresseur haute vitesse. 	<ul style="list-style-type: none"> Ceci est normal.
Bruits plus élevés lorsque le compresseur se met en marche.	<ul style="list-style-type: none"> Le réfrigérateur fonctionne à de plus hautes pressions pendant la mise en marche du cycle de refroidissement. 	<ul style="list-style-type: none"> Ceci est normal. Les bruits se stabilisent ou disparaissent alors que réfrigérateur continue à fonctionner.
Craquements lorsque le compresseur se met en marche.	<ul style="list-style-type: none"> Les composants métalliques se dilatent et se contractent comme des tuyaux d'eau chaude. 	<ul style="list-style-type: none"> Ceci est normal. Le bruit se stabilise ou disparaît alors que le réfrigérateur continue à fonctionner.
Bruits de bouillonnement semblables à de l'eau qui bout.	<ul style="list-style-type: none"> Le réfrigérant (utilisé pour refroidir le congélateur) circule dans le système. 	<ul style="list-style-type: none"> Ceci est normal.
Bruits de ferraille ou de vibration.	<ul style="list-style-type: none"> Le réfrigérateur n'est pas de niveau. Le réfrigérateur oscille lorsqu'on le bouge à peine. Le plancher est irrégulier ou faible. Le réfrigérateur oscille lorsqu'on le bouge à peine. Le réfrigérateur touche le mur. 	<ul style="list-style-type: none"> Il oscille lorsqu'on le bouge à peine. Réglez les pieds de mise à niveau. Voyez “MISE À NIVEAU” sous “Installation”. Assurez-vous que le plancher peut soutenir le réfrigérateur. Mettez le plancher de niveau en utilisant des cales en bois sous le réfrigérateur. Refaites la mise à niveau du réfrigérateur ou déplacez-le légèrement. Voyez “MISE À NIVEAU” sous “Installation”.
Claquant solide.	<ul style="list-style-type: none"> Le contrôle froid allumant le réfrigérateur et de. 	<ul style="list-style-type: none"> Ceci est normal.



Avant D'appeler

PROBLÈME	CAUSE	CORRECTION
EAU/HUMIDITÉ/GIVRE À L'INTÉRIEUR DU RÉFRIGÉRATEUR		
De la condensation se forme sur les parois intérieures.	<ul style="list-style-type: none">Le temps est chaud et humide, ce qui augmente l'accumulation sur les parois intérieures.Le réfrigérateur est légèrement ouvert.Le réfrigérateur est resté ouvert trop longtemps ou trop souvent.	<ul style="list-style-type: none">Ceci est normal.Voyez “PROBLÈMES DE PORTE”.Ouvrez-le moins souvent.
EAU/HUMIDITÉ/GIVRE À L'EXTÉRIEUR DU RÉFRIGÉRATEUR		
De la condensation se forme à l'extérieur du réfrigérateur.	<ul style="list-style-type: none">Le réfrigérateur est légèrement ouvert, d'où rencontre de l'air froid venant de l'intérieur du réfrigérateur avec l'air chaud et humide ambiant.	<ul style="list-style-type: none">Voyez “PROBLÈMES DE PORTE”.
ODEUR DANS LE RÉFRIGÉRATEUR		
Odeurs dans le réfrigérateur.	<ul style="list-style-type: none">L'intérieur doit être nettoyé.Des aliments dégageant une odeur forte sont dans le réfrigérateur.	<ul style="list-style-type: none">Nettoyez l'intérieur avec éponge, eau tiède et bicarbonate de soude.Couvrez hermétiquement ces aliments.
PROBLÈMES DE PORTE		
La porte ne ferme pas.	<ul style="list-style-type: none">Le réfrigérateur n'est pas de niveau. Le réfrigérateur oscille lorsqu'on le bouge à peine.Le plancher est irrégulier ou faible. Le réfrigérateur oscille lorsqu'on le bouge à peine.	<ul style="list-style-type: none">Cette condition peut déformer la caisse et désaligner la porte. Voyez “MISE À NIVEAU” sous “Installation”.Mettez le plancher à niveau à l'aide de cales en bois ou en métal placées sous le réfrigérateur ou renforcez le plancher.
L'AMPOULE NE S'ALLUME PAS		
L'ampoule ne s'allume pas.	<ul style="list-style-type: none">L'ampoule est grillée.Il n'y a pas de courant qui arrive au réfrigérateur.	<ul style="list-style-type: none">Voyez “ÉCLAIRAGE INTÉRIEUR” or “ÉCLAIRAGE MÉDIANT” sous “CARCTÉRISTIQUES DU RÉFRIGÉRATEUR”.Voyez “OPÉRATION DE RÉFRIGÉRATEUR”.

