

Frigidaire

Factory Parts Catalog

Product No.	PLRH1779GS3
Series	Twins
Color	black-s/s
Volts	115
Wiring Diagram	297005300
Owner's Guide	297208700
Market	North America
Energy Guide	297226503

 **Electrolux**

Electrolux Major Appliances
North & Latin America
P.O. BOX 212378
AUGUSTA, GA 30917

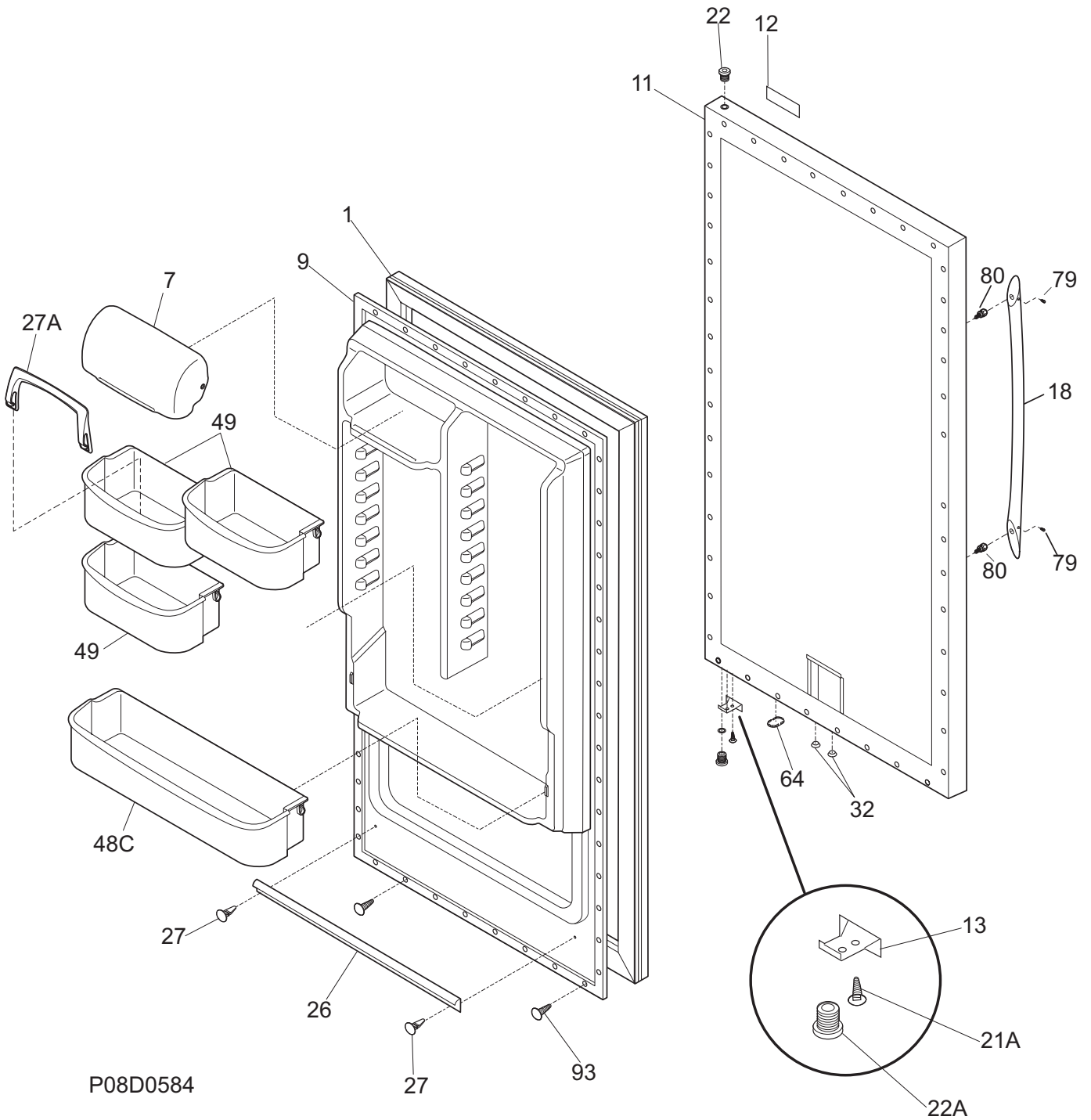
Publication No.
5995524765
08/09/25
(EN/SERVICE/MLR)
365

REFRIGERATOR

Model No.
PLRH1779GS

Copyright © 2008 Electrolux Home Products, Inc.
All rights reserved.

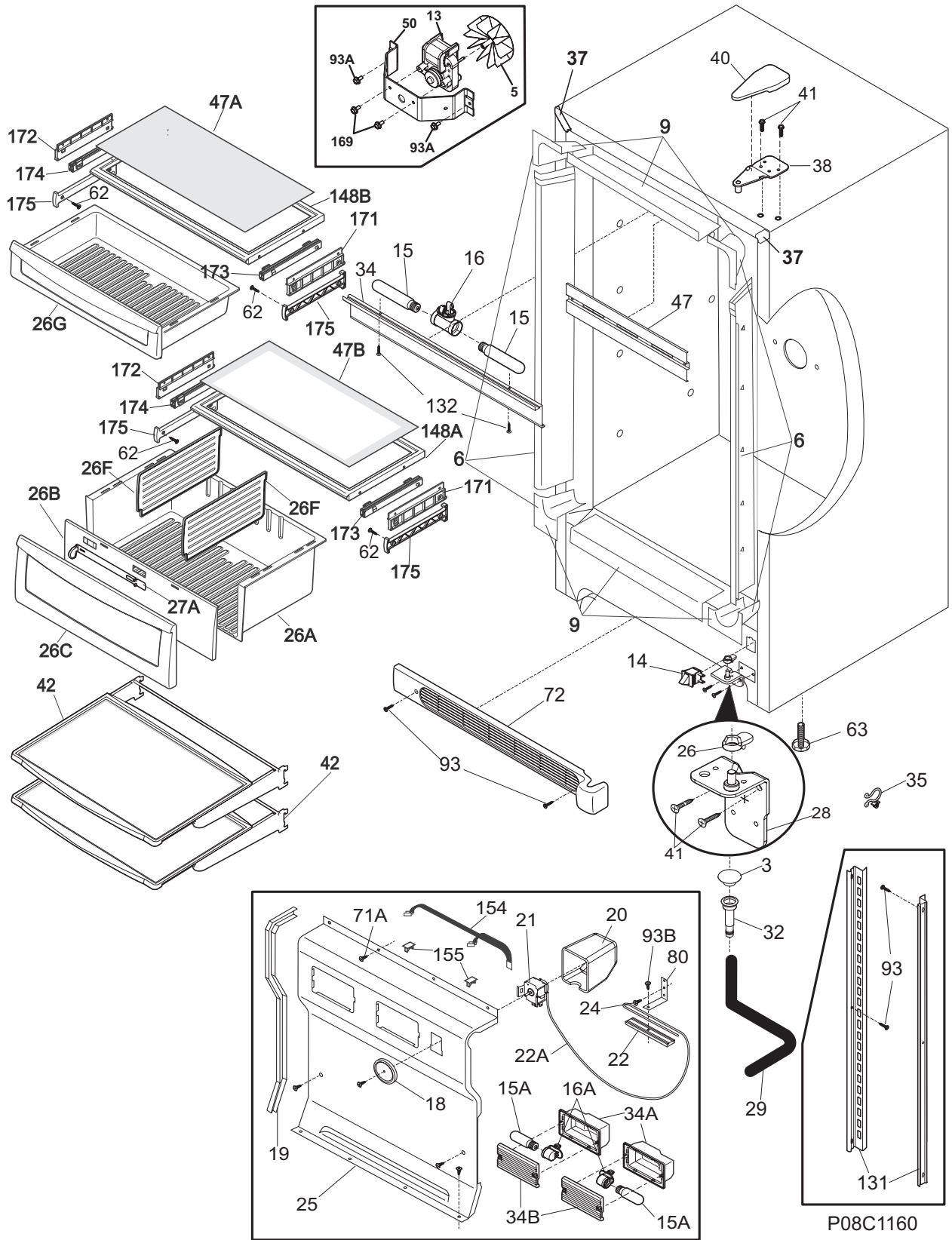
DOOR



DOOR

POS. NO	PART NO.	DESCRIPTION
1	216522311	Gasket-door, black
7	240338313	Door, dairy, clear
9	216953601	Panel-inner door, refr
11	297245224	Panel-outer door, stainless
12	241808801	Label-nameplate
13	297257000	Door Stop, chrome, RH/LH
18	240536818	Handle-door, stainless steel, with insert, & set screw
*	240537301	Nut-anchor, door hdl screw
21A	297197500	Screw, door stop mtg, FH38-16X.750, P Twin
22	216970800	Bearing, hinge w/o'ring, top
22A	297006800	Bearing-hinge, btm, w/o'ring
26	216524200	Gasket, secondary
27	5303212828	Clip, panel mtg
27*	5304406520	Clip, panel mtg kit, (40)
27A	240396102	Retainer, tall bottle
32	5309950074	Valve, breather
48C	297108200	Bin-door, gallon
49	297107800	Bin-door, 2-liter
64	216403700	Plug-button, hole filler, door base
79	218755402	Screw-set, 10-32 x 0.375
80	218755504	Screw-shoulder, #10 AB, handle mounting
93	5304460605	Screw, ph truss head, 8-18AB x 0.500

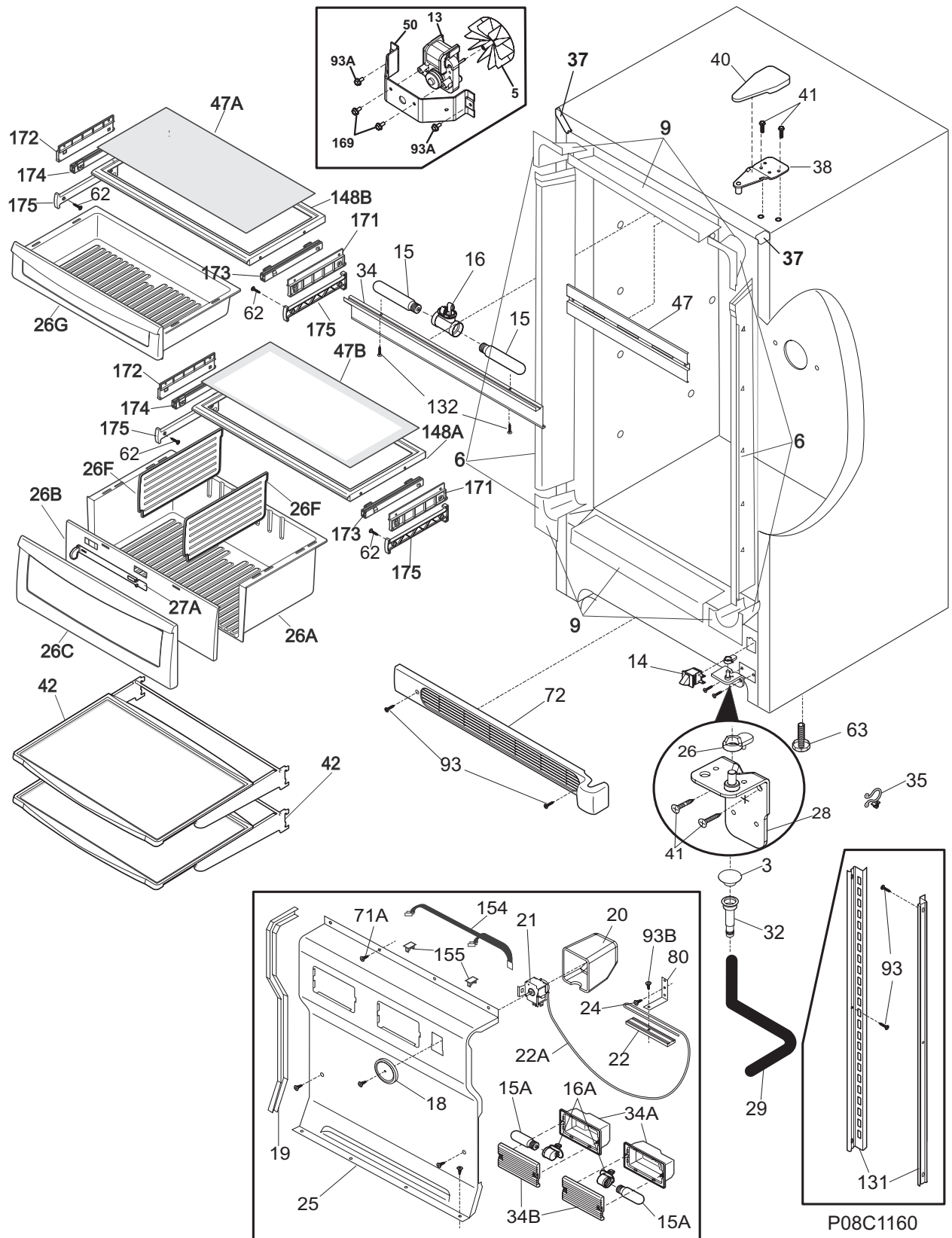
CABINET



CABINET

POS. NO	PART NO.	DESCRIPTION
3	216503100	Screen-drain
5	297259600	Fan Blade, evaporator
6	297200600	Breaker Kit w/corners, no lock slot
9	297200100	Breaker Kit w/corners, 32", top and bottom
13 #	297250000	Motor, fan, 115 V
14	216998100	Switch, light/lamp, black, ramp
15	216988100	Light Bulb/Lamp, long, blue tint, 40 W, 120V
15A	297048600	Light Bulb/Lamp, short
16	241507803	Socket-light
16*	297109500	Washer, vinyl
16A	216817600	Socket, light/lamp, 25 W
18	216707200	Knob, temp control
19	216204902	Gasket-evap cover
20	216967200	Cover, temp control
21 #	216715500	Control temperature
22	216823500	Clamp, cap tube, cold control
22A	297058500	Tube, 10", plastic
24	5304460604	Screw, type A, 10-24 x 3/8
25	297099256	Cover-evaporator
26	216503300	Ramp, door closer
26A	297091601	Case-crisper, deep
26B	297091800	Panel, crisper window
26C	297091703	Panel, crisper front
26F	297099401	Divider-crisper, deep
26G	297123700	Case-deli
27A	240362201	Control-humidity
28	297240800	Hinge-bottom, stepped pin
29	216313501	Hose-drain
32	5308005500	Drain
34	216979504	Shield-light
34A	297053100	Shield-light
34B	297053200	Lens, light
35	216273000	Clip, drain hose
37	241611303	Trim-cabinet corner, black, (2)
38	297164300	Hinge-upper
40	297164401	Cover-upper hinge, black
41	240578902	Screw, hex head, 1/4-20 x 5/8
42	297108900	Shelf-sliding, w/brackets
42*	297107000	Bracket-shelf
47	216661601	Baffle-plate
47A	297102700	Insert-pan cover, glass
47B	297102701	Insert-pan cover, glass, lower
50	08013207	Bracket-fan motor
62	297142600	Screw, blunt, 8-32 x 5/8
63	216396900	Screw, leveling foot, plastic, adjustable
71A	297146800	Screw, 8-18AB x 0.470
72	297036901	Grille/Kickplate, 32", black
80	06594601	Bracket, control
93	5304460605	Screw, ph truss head, 8-18AB x 0.500
93A	216629601	Screw, hex washer head, 10-16 x 0.500, tapping
93B	216036601	Screw, RWHD, 8-32A x 0.500, GX-CA

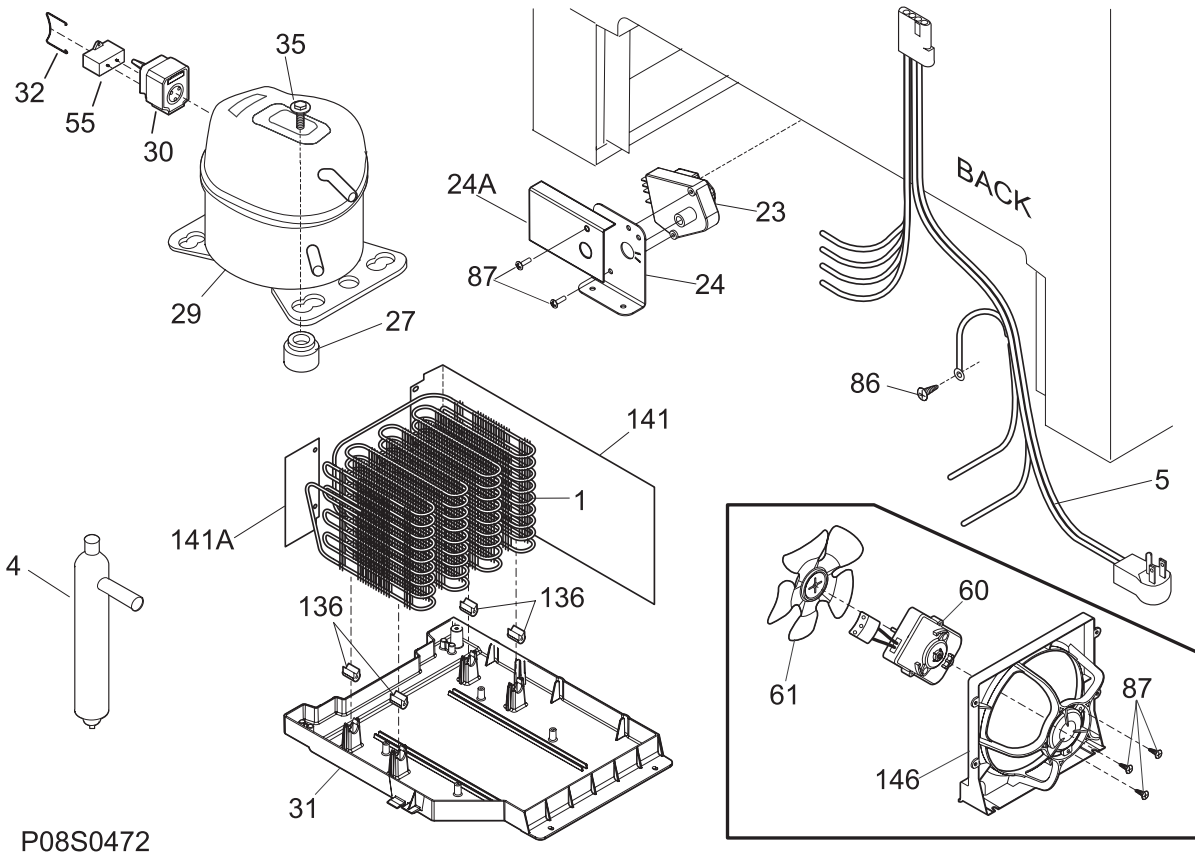
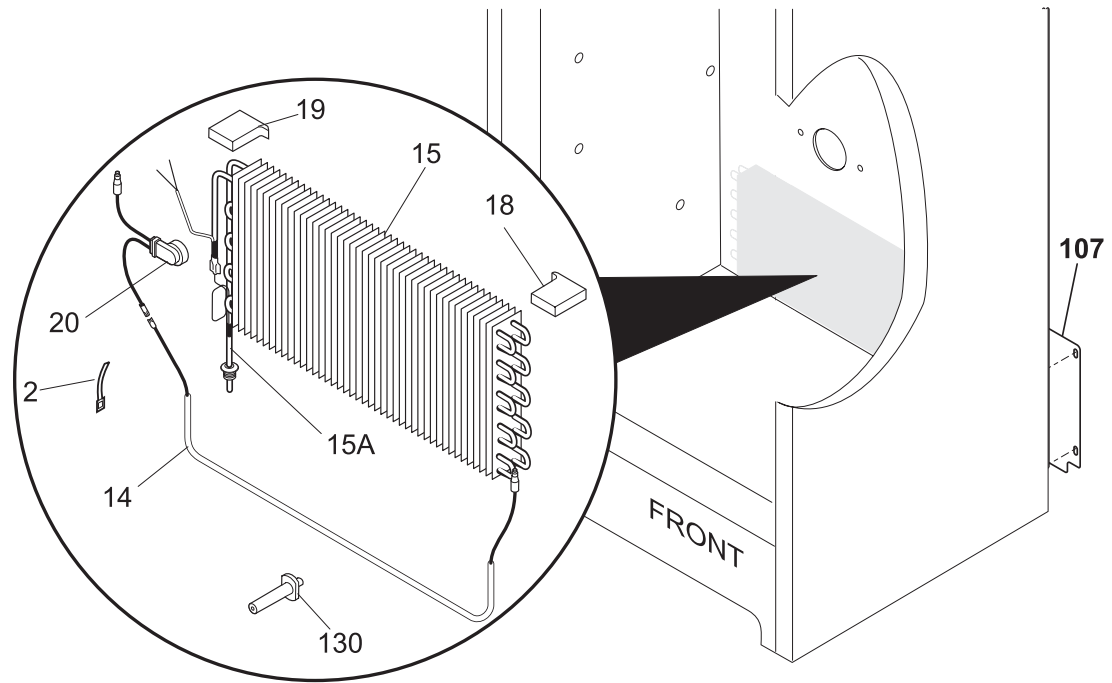
CABINET



CABINET

POS. NO	PART NO.	DESCRIPTION
131	297130200	Channel-shelf mtg, side, (2)
132	5304460601	Screw, 6-20AB x 3/8
148A	297092502	Frame-crisper cover, lower
148B	297092503	Frame-deli cover
154	297053000	Wire, jumper
155	5303313703	Clip, (2)
169	216912401	Screw, hex washer head, 8-32 x 0.500, bracket fan mtr, (2)
171	297092700	Bracket, crisper cover, RH
172	297092701	Bracket, crisper cover, LH
173	297107600	Slide, crisper, RH
174	297107601	Slide, crisper, LH
175	297099500	Support-crisper
*	297001704	Insulation, 24", drain tube
*	297226503	Energy Guide

SYSTEM



SYSTEM

POS. NO	PART NO.	DESCRIPTION
1 #	297152200	Condenser, dynamic
2	5308000110	Strap-evap/heater, aluminum, (2)
4 #	216938600	Drier-filter
5 #	297171800	Harness-main
5*	240555002	Screw-#8-32 X 3/8
14	297216100	Heater-defrost
15 #	216997300	Evaporator
15A	297231800	Heat Exchanger
18	297078700	Insulator-evap, styrofoam
19	297078800	Insulator-evap, styrofoam
20	216731001	Thermostat, defrost
23 #	216744500	Timer-defrost
24	216968501	Bracket-timer
24A	297207900	Guard, timer
27	5308002681	Grommet, compressor
29 #	297237300	Compressor, w/o electricals
30	216954205	Controller, compressor
31	297165800	Pan-drain
32	216649200	Clip, controller
35	297177200	Bolt, compressor
55 #	218909912	Capacitor, run, 220 VAC, 12 microfarad
60	241584301	Motor-condenser fan
61	241639501	Blade-condenser fan
86	216036601	Screw, RWHD, 8-32A x 0.500, GX-CA
87	5304463290	Screw, hi-lo blunt, #8-18X1/2
107	297165400	Shield, compressor, Compartment
*	5304460605	Screw, ph truss head, 8-18AB x 0.500
130	297244700	Support, evaporator mtg
136	240405201	Grommet, rubber, black, cond tube/wire
141	297164200	Divider, air flow
141A	297194700	Divider, small, air flow
146	297164000	Shroud-fan orifice
146*	216337701	Screw, HWH, 10-24 x 0.500, Swage
* #	216502500	Sleeve, suction line
*	297048400	Clip
* #	297169901	Cord-power, flat