

*Frigidaire*

Factory Parts Catalog

Product No.	PLRU1778ES6
Series	134A
Color	black-s/s
Volts	115V
Wiring Diagram	297005300
Owner's Guide	297081600
Market	North America
Energy Guide	216697904

 **Electrolux**

Electrolux Major Appliances  
North & Latin America  
P.O. BOX 212378  
AUGUSTA, GA 30917

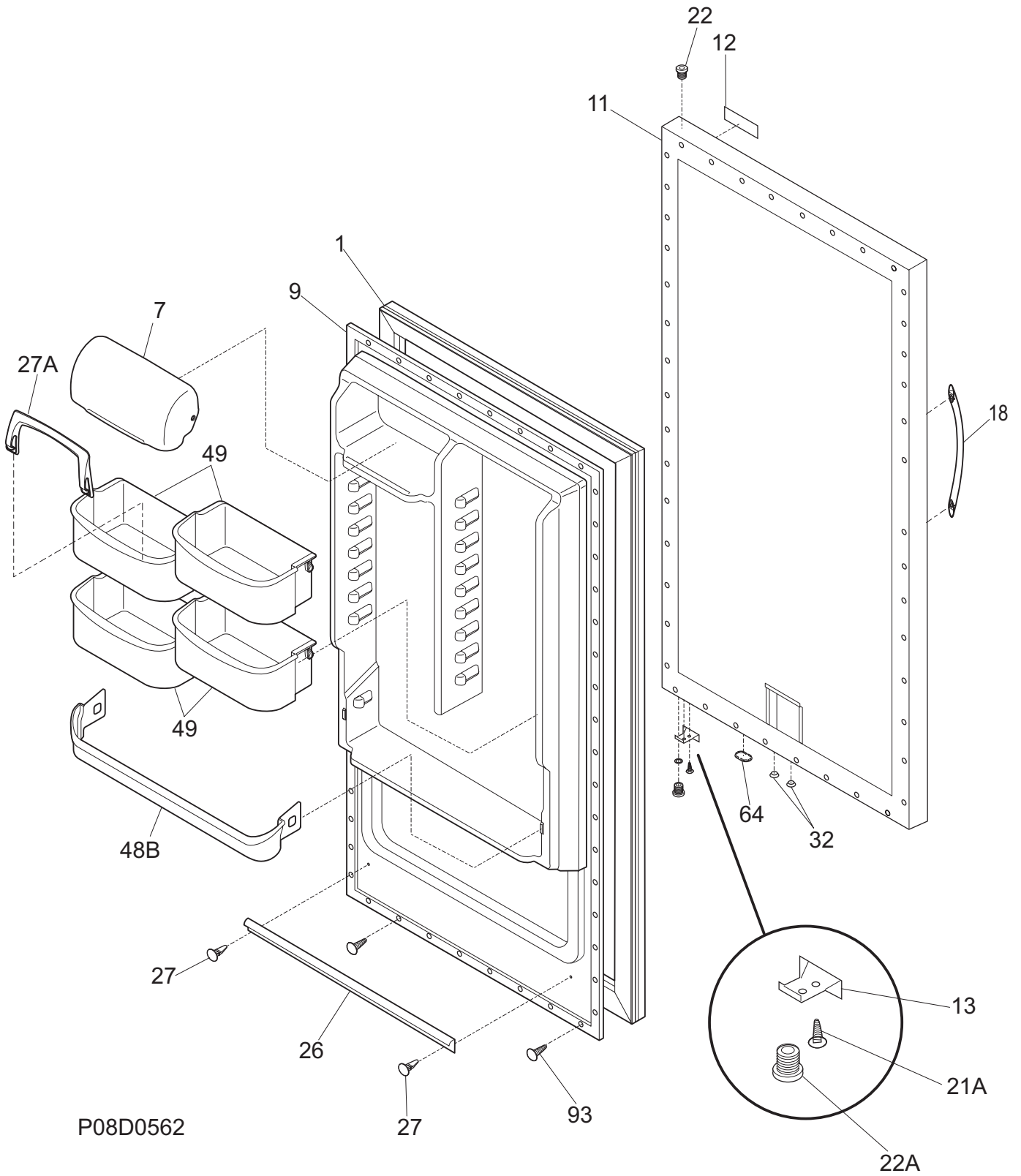
Publication No.  
**5995537833**  
09/04/13  
(EN/SERVICE/MLR)  
365

**REFRIGERATOR**

Model No.  
**PLRU1778ES**

Copyright © 2009 Electrolux Home Products, Inc.  
All rights reserved.

DOOR



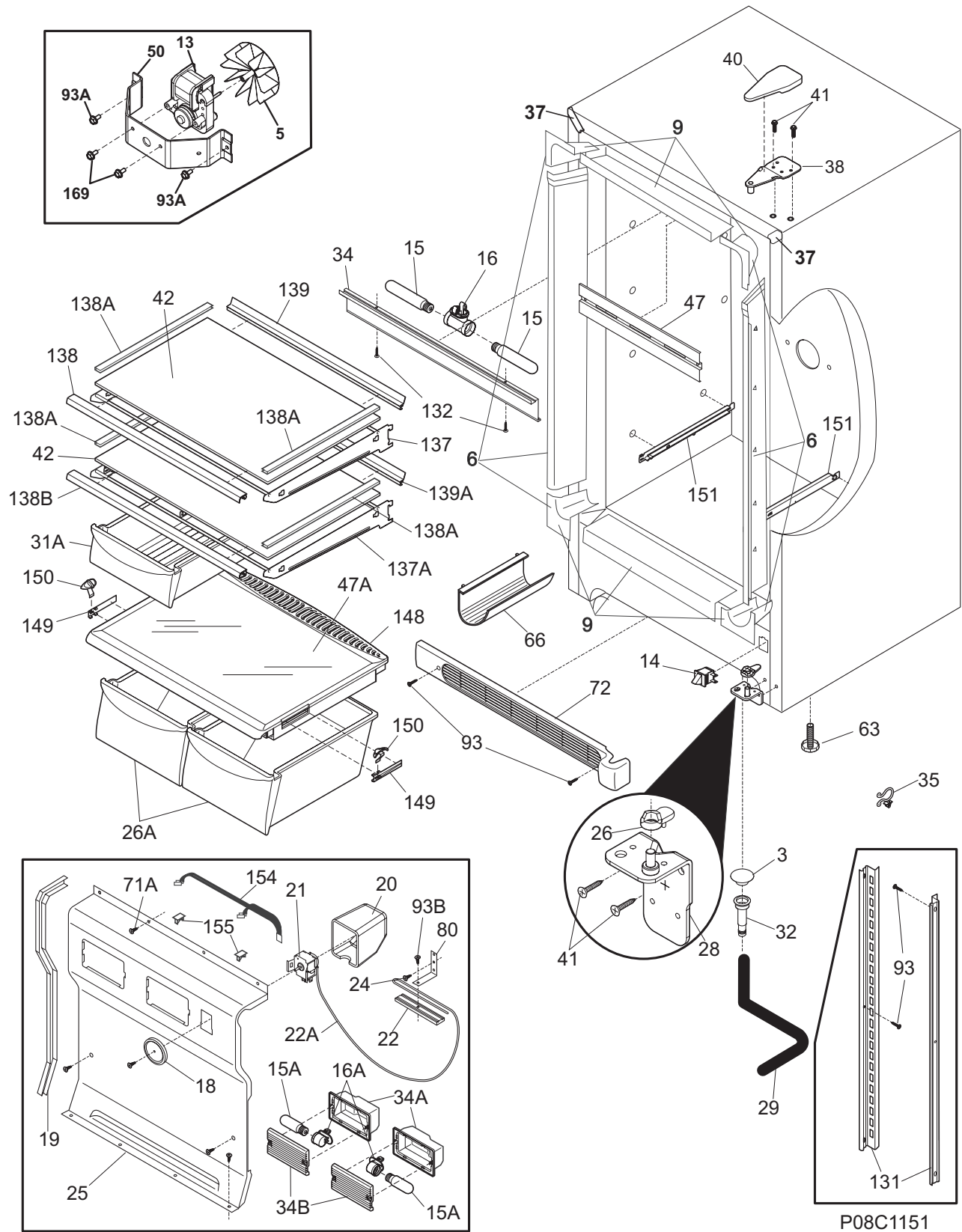
---

**DOOR**


---

POS. NO	PART NO.	DESCRIPTION
1	216522311	Gasket-door, black
7	240338313	Door, dairy, clear
9	216953600	Panel-inner door, refr
11	297245224	Panel-outer door, stainless
12	240558802	Nameplate, door badge, stainless
13	297257000	Door Stop, chrome, RH/LH
18	240536818	Handle-door, stainless steel, with insert, & set screw
*	218755402	Screw-set, 10-32 x 0.375
*	218755504	Screw-shoulder, #10 AB, handle mounting
*	240537301	Nut-anchor, door hdl screw
21A	297197500	Screw, door stop mtg, FH38-16X.750, P Twin
22	216970800	Bearing, hinge w/o'ring, top
22A	297006800	Bearing-hinge, btm, w/o'ring
26	216524201	Gasket, secondary
27	5304472186	Clip, panel mtg
27*	5304406520	Clip, panel mtg kit, (40)
27A	240396102	Retainer, tall bottle
32	5309950074	Valve, breather
48B	240338001	Bin-door, pseudo, gallon, refr
49	216959802	Bin-door, 2-liter, (4)
64	216403700	Plug-button, hole filler, door base
93	5304460605	Screw, ph truss head, 8-18AB x 0.500

# CABINET

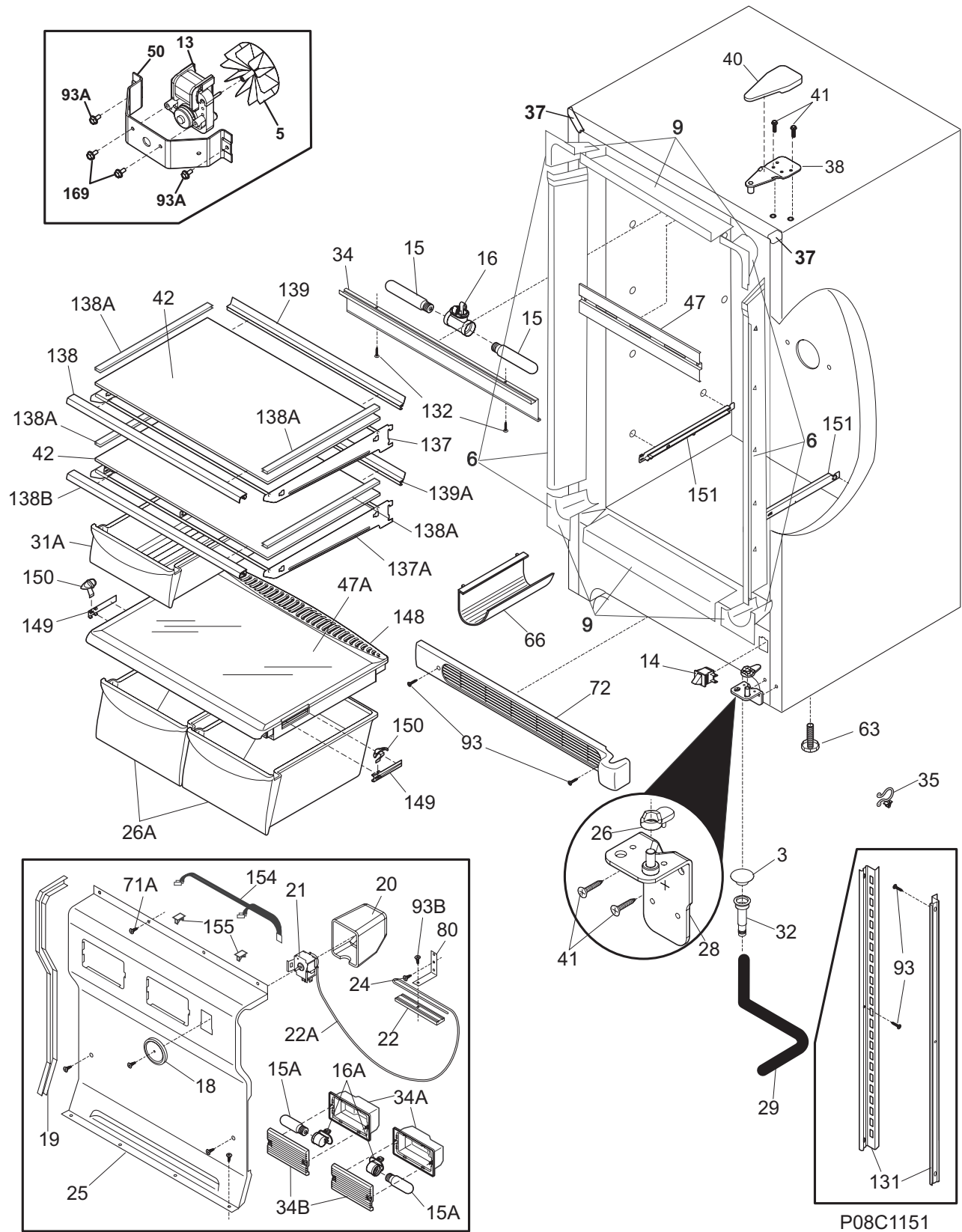


## CABINET

---

POS. NO	PART NO.	DESCRIPTION
3	216503100	Screen-drain
5	297259600	Fan Blade, evaporator
6	297200600	Breaker Kit w/corners, no lock slot
9	297200100	Breaker Kit w/corners, 32", top and bottom
13 #	297250000	Motor, fan, 115 V
14	216998100	Switch, light/lamp, black, ramp
15	216988100	Light Bulb/Lamp, long, blue tint, 40 W, 120V
15A	297048600	Light Bulb/Lamp, short
16	241507803	Socket-light
16*	297109500	Washer, vinyl
16A	297139501	Socket, light/lamp, 25 W
18	216707200	Knob, temp control
19	216204902	Gasket-evap cover
20	216967200	Cover, temp control
21 #	216715500	Control temperature
22	216823500	Clamp, cap tube, cold control
22A	297058500	Tube, 10", plastic
24	5304460604	Screw, type A, 10-24 x 3/8
25	297099253	Cover-evaporator
26	216503300	Ramp, door closer
26A	216959900	Pan-crisper, (2)
28	297283900	Hinge-bottom, stepped pin
29	216313501	Hose-drain
31A	240530811	Pan-meat, w/o graphics, clear
32	5308005500	Drain
34	216979500	Shield-light
34A	297053100	Shield-light
34B	297053200	Lens, light
35	216273000	Clip, drain hose
37	241611303	Trim-cabinet corner, black, (2)
38	297283800	Hinge-upper
40	297164401	Cover-upper hinge, black
41	240578902	Screw, hex head, 1/4-20 x 5/8
42	216983101	Glass-shelf, full shelf
47	216661601	Baffle-plate
47A	240350650	Insert-pan cover, glass
50	08013207	Bracket-fan motor
63	216396900	Screw, leveling foot, plastic, adjustable
66	5303295947	Rack-wine
71A	297146800	Screw, 8-18AB x 0.470
72	297036901	Grille/Kickplate, 32", black
80	06594601	Bracket, control
93	5304460605	Screw, ph truss head, 8-18AB x 0.500
93A	297174300	Screw, #8, 18x.63, self pierce
*	216327800	Clip, wire
93B	216036601	Screw, RWHD, 8-32A x 0.500, GX-CA
131	241513001	Channel-shelf mtg, side, (2)
132	5304460601	Screw, 6-20AB x 3/8
137	297050600	Frame-shelf, cantilever
137A	297050601	Frame-shelf, cantilever
138	297050700	Trim-shelf, front

# CABINET



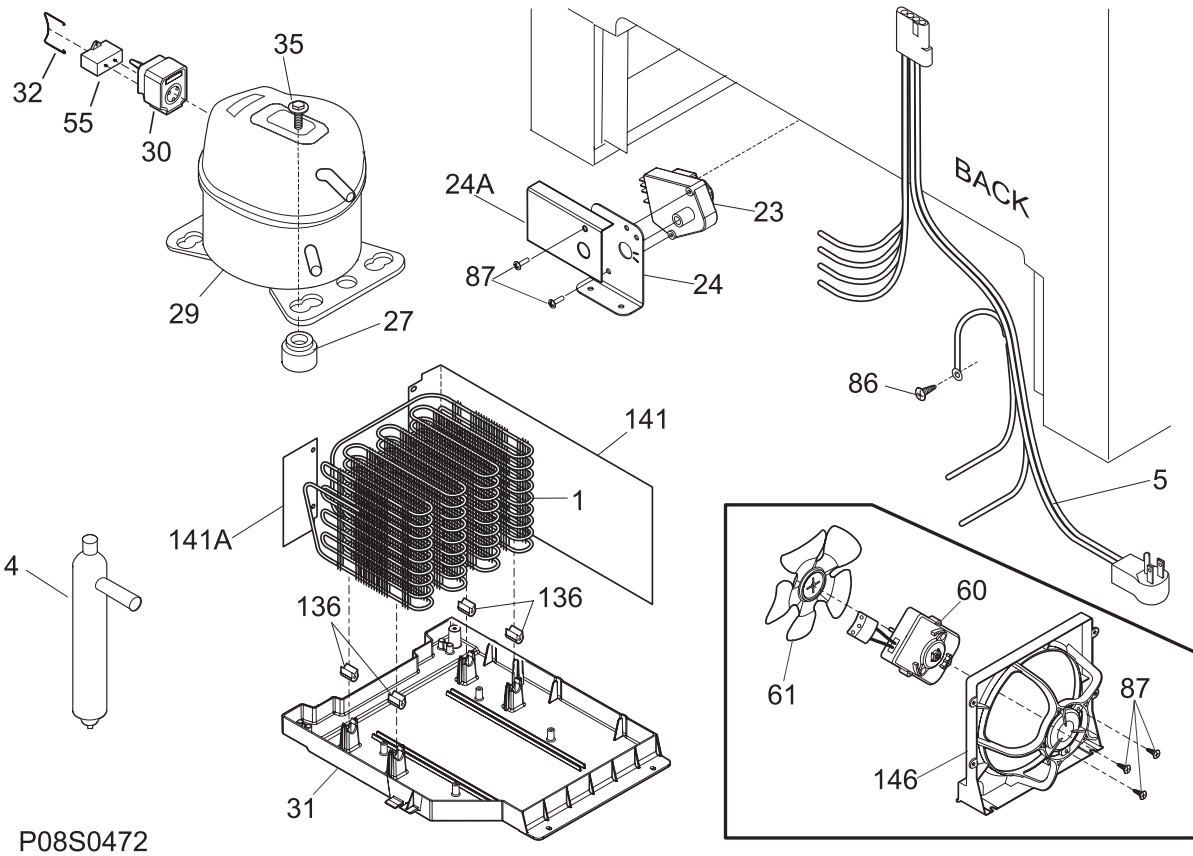
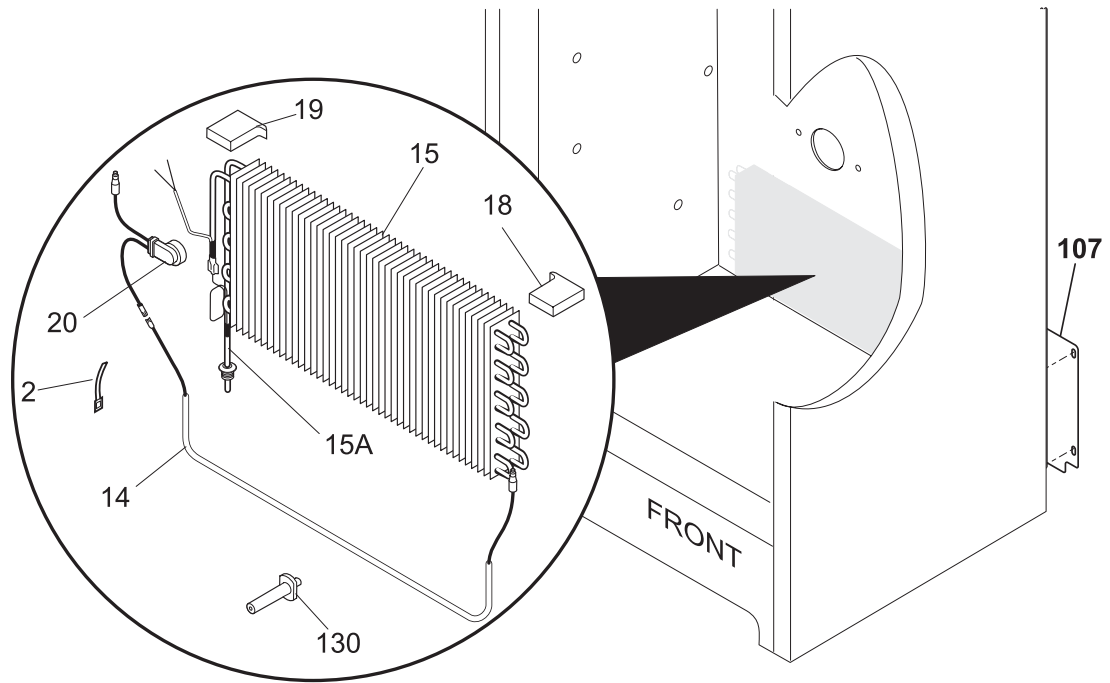
---

**CABINET**


---

POS. NO	PART NO.	DESCRIPTION
138A	216983601	Trim-shelf, side
138B	297050701	Trim-shelf, front
139	297050800	Trim-shelf, rear
139A	297050801	Trim-shelf, rear
148	216995501	Cover-crisper pan
149	240361301	Damper, humidity cont.
150	240361202	Knob, humidity cont.
151	216988200	Support-crspr cover, RH
151	216988201	Support-crspr cover, LH
154	297053000	Wire, jumper
155	5303313703	Clip, (2)
169	216912401	Screw, hex washer head, 8-32 x 0.500, bracket fan mtr, (2)
*	216697904	Energy Guide
*	297001704	Insulation, 24", drain tube

**SYSTEM**





---

**SYSTEM**


---

POS. NO	PART NO.	DESCRIPTION
1 #	297152200	Condenser, dynamic
2	5308000110	Strap-evap/heater, aluminum, (2)
4 #	216938600	Drier-filter
5 #	297171800	Harness-main
5*	240555002	Screw-#8-32 X 3/8
14	297216100	Heater-defrost
15 #	216997300	Evaporator
15A	297231800	Heat Exchanger
18	297078701	Insulator-evap, styrofoam, RH
19	297078801	Insulator-evap, styrofoam, LH
20	216731001	Thermostat, defrost
23 #	216744500	Timer-defrost
24	216968501	Bracket-timer
24A	297207900	Guard, timer
27	5308002681	Grommet, compressor
29 #	297224800	Compressor, w/o electricals
30	216954208	Controller, compressor, 5 speed
31	297165800	Pan-drain
32	297030500	Clip, controller
35	297177200	Bolt, compressor
55	218909911	Capacitor, run
60	241584301	Motor-condenser fan
61	241639501	Blade-condenser fan
86	216036601	Screw, RWHD, 8-32A x 0.500, GX-CA
87	5304463290	Screw, hi-lo blunt, #8-18X1/2
107	297165400	Shield, compressor, Compartment
*	5304460605	Screw, ph truss head, 8-18AB x 0.500
130	297244700	Support, evaporator mtg
136	240405201	Grommet, rubber, black, cond tube/wire
141	297164200	Divider, air flow
141A	297194700	Divider, small, air flow
146	297164000	Shroud-fan orifice
146*	216337701	Screw, HWH, 10-24 x 0.500, Swage
*	216502500	Sleeve, suction line
*	297048400	Clip
*	297174300	Screw, #8, 18x.63, self pierce
* #	297169901	Cord-power, flat