

*Frigidaire*

Factory Parts Catalog

Product No.	AGQ8000FG0
Series	Frigidaire
Market	North America
Color	glacier blue
Volts	120
Wiring Diagram	134682200
Owner's Guide	134760100
Installation Instructions	134759900
Operating Instructions	134609300



Electrolux Major Appliances  
North & Latin America  
P.O. BOX 212378  
AUGUSTA, GA 30917

Publication No.  
**5995498713**  
07/09/04  
(EN/SERVICE/WTC)  
361

**GAS DRYER**

Model No.  
**AGQ8000F**

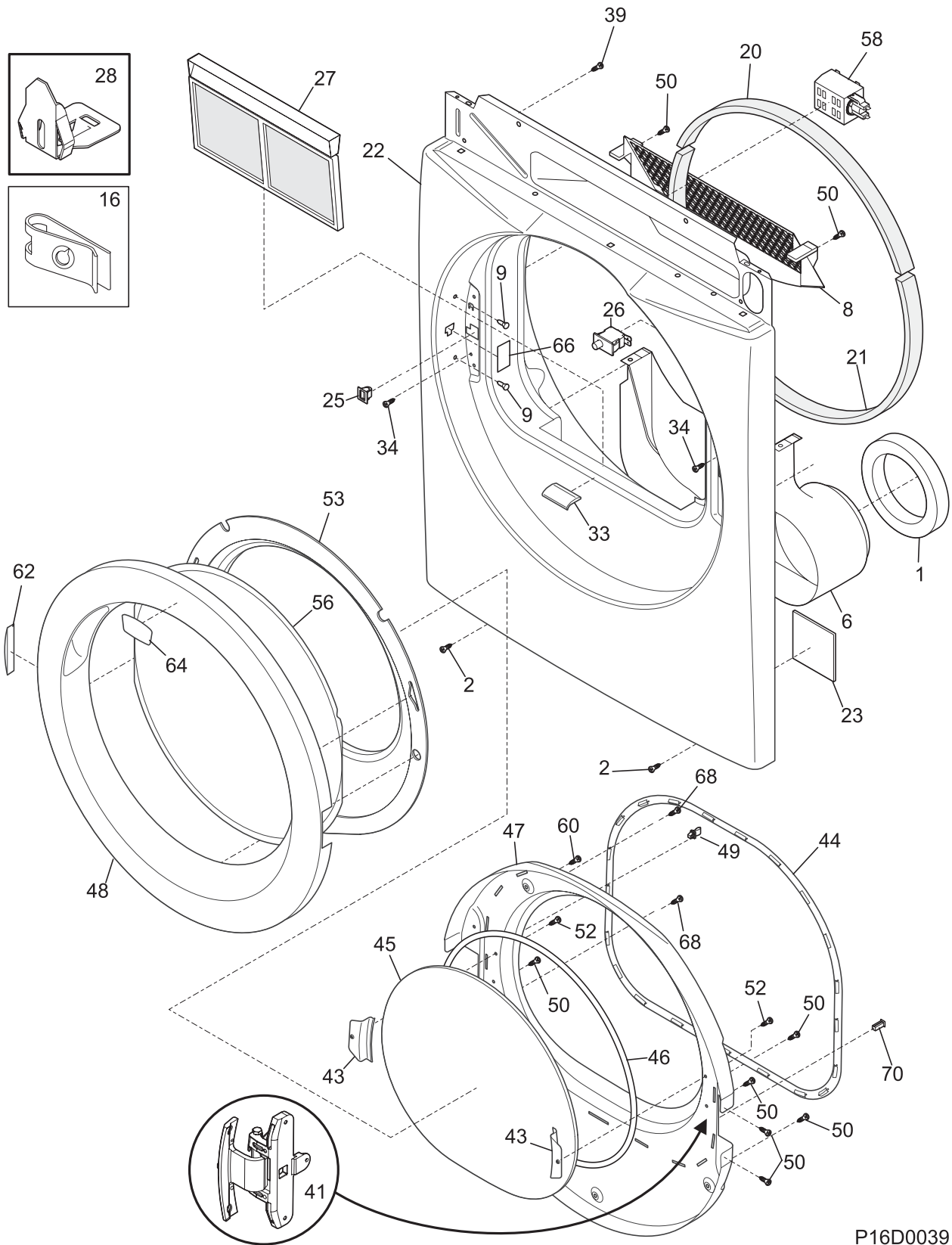
Copyright © 2007 Electrolux Home Products, Inc.  
All rights reserved.



**CABINET/DRUM**

POS. NO	PART NO.	DESCRIPTION
2	131168200	Screw, pan head, 8-18B x 0.31
5	5303281019	Ball, grounding
6	5303281020	Clip, ball, steel, flat nut
7	134121200	Rack, drying
9	131793200	Panel, service access, rear
11	131363200	Cover, terminal block
12	131825900	Bearing, drum support
13	131724300	Bracket, bearing support
14	131205400	Screw, bracket mtg., 10-16B x 1.375, cr/sq drive
15	131776500	Housing, heater, w/duct
17	3204254	Baffle, heater shield
18	131477000	Screw, 10-16AB x 0.375
20	134166500	Bracket, top panel mtg., rear
21	134122552	Drum, dryer, stainless steel, service kit
24	131963900	Glide, drum
29	131382300	Screw, quadrex head, 10-14 x 1.00, vane mtg., special
30	5304405283	Vane, straight, gray
31 #	134501200	Power Cord, electric svce
32	131777700	Shaft, drum support, ballhitch
32*	5303307893	Lubricant, high temp
33 #	5308015399	Thermostat, safety
34	131243700	Screw, pan head, 8-18AB x 0.375
37	131952100	Duct, heat
42	134154100	Screw, hex washer head, 10-32 x 0.375, ground
44	134344900	Leveling Leg, screw
64	134360100	Bracket, svce panel mtg.
* #	5303281153	Rear Bearing Kit, includes 5, 6, 12, 13, 14, 18, 32

FRONT PANEL/LINT FILTER



P16D0039

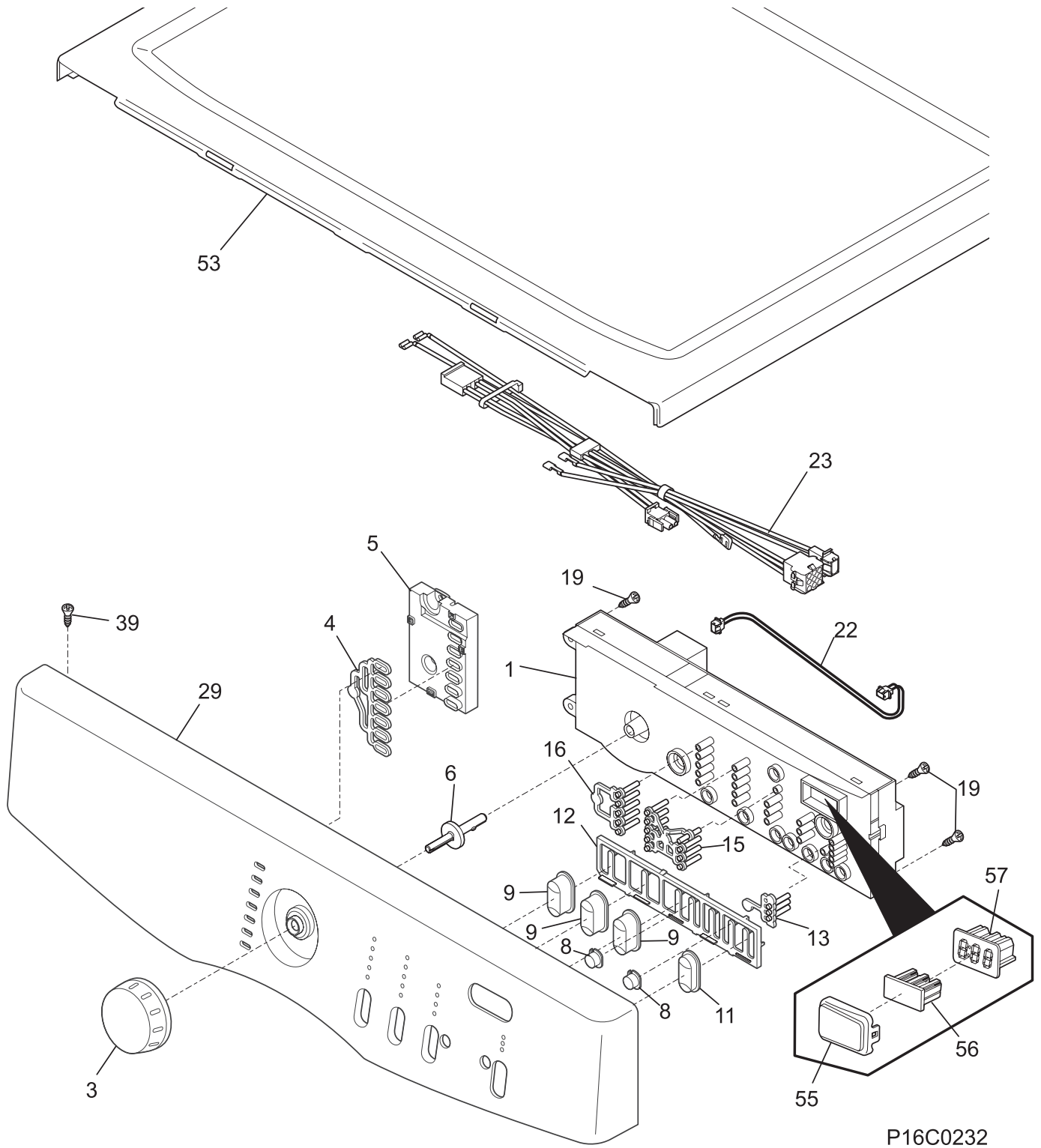
---

**FRONT PANEL/LINT FILTER**


---

POS. NO	PART NO.	DESCRIPTION
1	134417000	Seal, air duct
2	131168200	Screw, pan head, 8-18B x 0.31
6	134382900	Duct, air
8 #	131845845	Cover, lint housing, w/moist sensor
9	131633204	Plug, gray
16	134440100	Clip, U-nut
20	134440200	Seal, felt, upper
20*	5308027429	• Adhesive, high temp
21	134134700	Seal, felt, lower
22	134684330	Panel, front, blue, w/lamp hole
23	131744202	Damper, vibration
25	134548045	Latch, door, gray, lower
26 #	131843145	Switch, door, with drum light
27	131450345	Trap, lint blade assy, gray
28	134440000	Clip, guide
33	134737245	Guide, door, gray
34	131243700	Screw, pan head, 8-18AB x 0.375
39	131205100	Screw, #8 pan head, 10-10B x 0.500, cr/sq drive
41	134680900	Hinge, door
43	134559300	Bracket, door glass
44	134720900	Gasket, door seal
45	134611800	Glass, inner door
46	134580300	Gasket, door glass, inner
47	134683940	Panel, inner door, gray
48	134854300	Panel, outer door, chrome
48*	134554500	Pad, outer door
49	134548100	Door Strike
50	131303300	Screw, pan head, 10-16AB x 0.500, locking
52	134529600	Screw, indt pan head, 8-18AB x 0.375
53	134558600	Ring, door transition
56	134550600	Glass, outer door lens
58 #	131843500	Lamp Assy, drum light, w/mtg bracket
58*#	131862800	• Lamp
60	134430300	Screw, indt pan head, 10-14 x 0.625, quadrex
62	134680760	Plug, hinge cutout, natural
64	134601625	Nameplate, Affinity, chrome
66	134680801	T-Plug, hinge hole
68	134742001	Plug, hinge hole, gray
70	134417501	Plug, rectangular, gray

**CONTROLS/TOP PANEL**



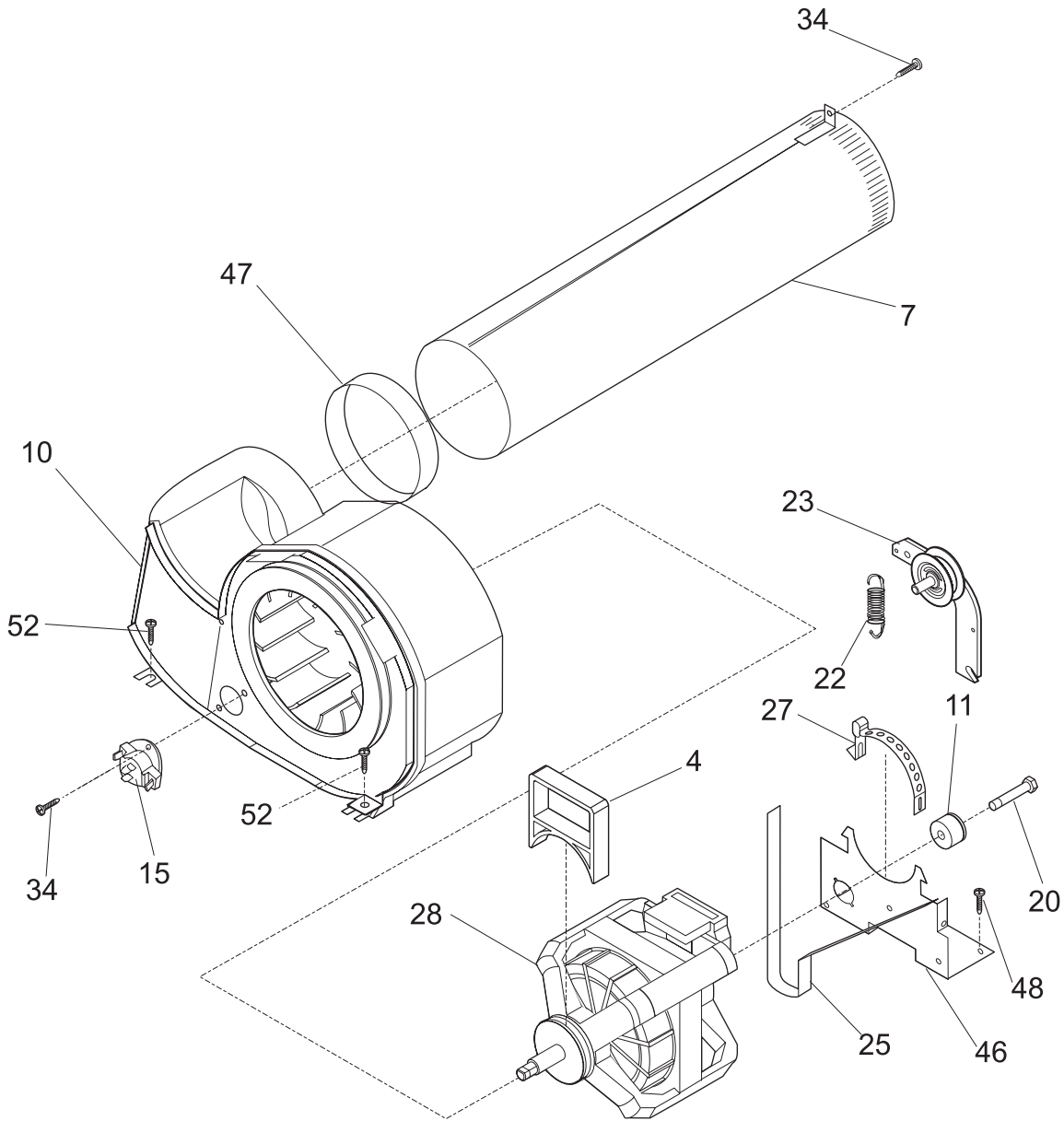
---

**CONTROLS/TOP PANEL**


---

POS. NO	PART NO.	DESCRIPTION
1 #	134557200	Control Board, printed circuit, with housing
3	134551225	Knob, program, chrome
4	134553100	Light Pipe, program
5 #	134556500	Interface Board, pc, auxiliary
6	134347700	Pin, program knob
8	134555525	Push Button, round, #1
9	134553425	Push Button, oval, #1
11	134864400	Push Button, oval, start
12	134884900	Spring, push button
13	134557501	Light Pipe, start group
15	134552800	Light Pipe, 5 x 4
16	134600000	Light Pipe, row of 5
19	134402900	Screw, phillips, 6-19 x 0.650
22 #	134602100	Wiring Harness, interface board
23 #	134720000	Wiring Harness, controls
23*#	134491500	Wiring Harness, main
29	134557020	Panel, control console, blue
39	134178901	Screw, 8-18AB x 0.455
53	134365030	Panel, work top, blue
55	134553200	Lens, digital display
56	134557300	Light Pipe, digital display
57 #	134503300	Display, digital

**MOTOR**



P16M0024



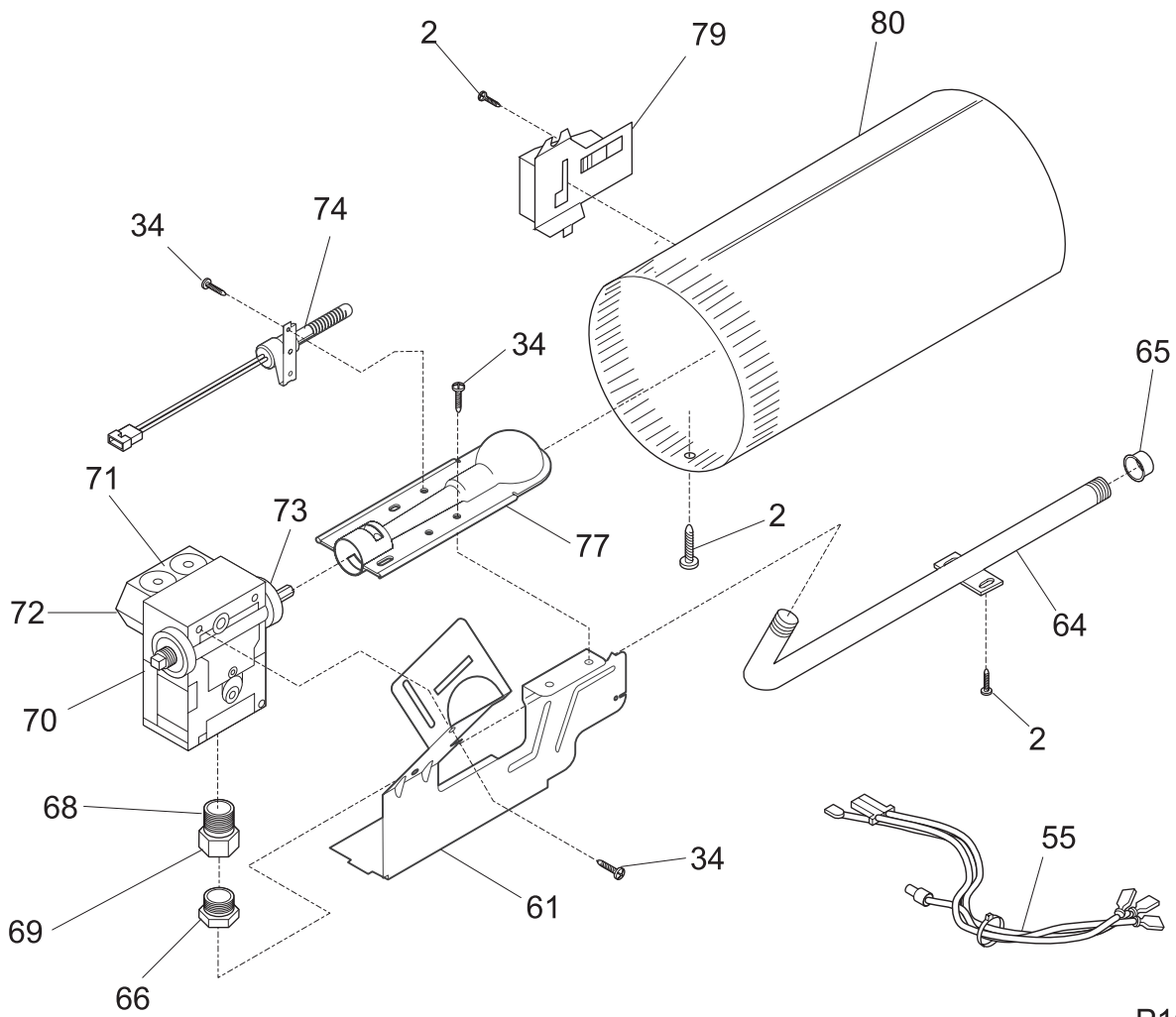
---

**MOTOR**


---

POS. NO	PART NO.	DESCRIPTION
4	131435200	Lock, blower housing
7	131451600	Tube, exhaust, rear, w/mtg bracket
7*	131456800	Tube, exhaust, side/bottom, Optional Kit
10 #	131775600	Blower Assy, housing, w/cover & wheel
11	131749800	Spacer, idler
15 #	134587700	Thermistor, control
20	131017900	Screw, hex head, 1/4-20T x 1.25, spacer mtg., thread cutting
22	131601000	Spring, idler arm
23 #	131863007	Idler Arm Assy, w/pulley
25 #	134503600	Belt, dryer
27	134242400	Clamp, motor mtg.
28 #	131560100	Motor & Pulley Assy
34	131243700	Screw, pan head, 8-18AB x 0.375
46	134203400	Bracket, motor mtg
47	131633300	Seal, exhaust tube
48	131168200	Screw, pan head, 8-18B x 0.31
52	131202300	Screw, 10-16AB x 0.625

**BURNER**



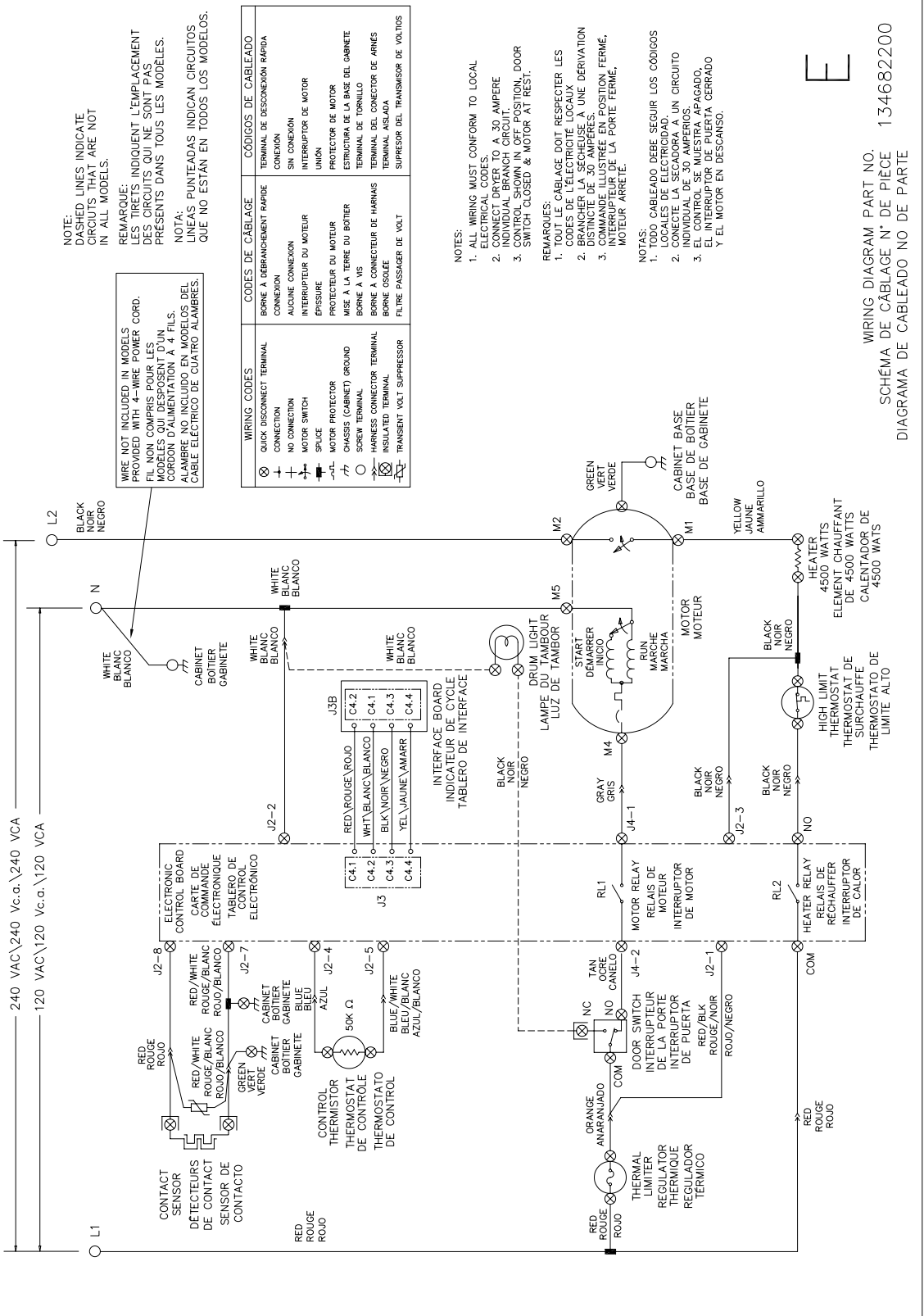
P16B0015

**BURNER**

POS. NO	PART NO.	DESCRIPTION
2	131168200	Screw, pan head, 8-18B x 0.31
34	131243700	Screw, pan head, 8-18AB x 0.375
55 #	134389600	Wiring Harness, gas valve
61	134122000	Bracket, burner mtg
64	134144900	Pipe, gas, right angle
65	08015112	Cap, pipe
66	134128700	Bushing, coupler
68	134185100	Tail Piece, coupling
69 #	5308015194	Union, hex nut
70 #	5303207409	Valve, gas
71 #	5303307291	Coil, secondary
72 #	5303307292	Coil, booster
73 #	5303207410	Orifice, natural gas, size 44
74 #	134192000	Igniter Assy
77 #	134197700	Burner, gas
79 #	5303281135	Sensor, radiant
80 #	134200801	Tube, burner, riveted
* #	134315100	LP Conversion Kit, natural to LP

WIRING DIAGRAM

CAUTION: DISCONNECT ELECTRIC CURRENT BEFORE SERVICING.  
 MISE EN GARDE: METTRE HORS TENSION AVANT D'EFFECTUER TOUTE MESURE D'ENTRETIEN.  
 PRECAUCION: DESCONECTE LA CORRIENTE ELÉCTRICA ANTES DE DAR SERVICIO A LA SECADORA.



NOTE:  
 DASHED LINES INDICATE  
 CIRCUITS THAT ARE NOT  
 IN ALL MODELS.  
 REMARQUE:  
 LES TIRETS INDICENT L'EMPLACEMENT  
 DES CIRCUITS QUI NE SONT PAS  
 PRÉSENTS DANS TOUS LES MODÈLES.  
 NOTA:  
 LINEAS PUNTEADAS INDICAN CIRCUITOS  
 QUE NO ESTÁN EN TODOS LOS MODELOS.

WIRE NOT INCLUDED IN MODELS  
 PROVIDED WITH 4-WIRE POWER CORD.  
 FIL NON COMPRIS POUR LES  
 MODÈLES QUI SONT FOURNIS AVEC UN  
 CORDON D'ALIMENTATION À 4 FILS.  
 ALAMBRE NO INCLUIDO EN MODELOS DEL  
 CABLE ELÉCTRICO DE CUATRO ALAMBRES.

WIRING CODES	CODES DE CÂBLAGE	CÓDIGOS DE CABLEADO
⊕	QUICK DISCONNECT TERMINAL CONNECTION	TERMINAL DE DESCONEXION RAPIDA CONEXION
+	NO CONNECTION	SIN CONEXION
+	MOTOR SWITCH	INTERRUPTOR DE MOTOR
+	SPICE	UNION
+	MOTOR PROTECTOR	PROTECTOR DE MOTOR
+	CHASSIS (CABINET) GROUND	ESTRUCTURA DE LA BASE DEL GABINETE
+	SCREW TERMINAL	TERMINAL DE TORNILLO
+	HARNESS CONNECTOR	TERMINAL DEL CONECTOR DE ARNES
+	INSULATED TERMINAL	TERMINAL AISLADA
+	TRANSIENT VOLT SUPPRESSOR	SUPRESOR DEL TRANSMISOR DE VOLTS

- NOTES:
1. ALL WIRING MUST CONFORM TO LOCAL ELECTRICAL CODES.
  2. CONNECT DRYER TO A 30 AMPERE INDIVIDUAL BRANCH CIRCUIT.
  3. CONTROL SHOWN IN OFF POSITION, DOOR SWITCH CLOSED & MOTOR AT REST.
- REMARQUES:
1. TOUT LE CÂBLAGE DOIT RESPECTER LES CODES DE L'ÉLECTRICITE LOCAUX.
  2. SECONNECTER LA SECADORA A UN CIRCUIT INDIVIDUEL DE 30 AMPÈRES.
  3. COMMANDE ILLUSTRÉE EN POSITION FERMÉE, INTERRUPTEUR DE LA PORTE FERMÉE, MOTEUR ARRÊTÉ.
- NOTAS:
1. TODO CABLEADO DEBE SEGUIR LOS CÓDIGOS LOCALES DE ELECTRICIDAD.
  2. CONECTE LA SECADORA A UN CIRCUITO INDIVIDUAL DE 30 AMPERIOS.
  3. COMANDO ILUSTRADO EN POSICIÓN CERRADA, EL INTERRUPTOR DE PUERTA CERRADO Y EL MOTOR EN DESCANSO.

WIRING DIAGRAM PART NO. 134682200  
 SCHEMA DE CABLEAGE N° DE PIECE  
 DIAGRAMA DE CABLEADO NO DE PARTE

E

WIRING DIAGRAM

