



Front Load Dryers

CFSE5115P A / W

10 Dry Cycles
7.0 Cu. Ft. I.E.C. Electric



Optional SpaceWise® Pedestal Drawer Shown

Signature Features

Quick Dry

Dry a full load in just 25 minutes with our Quick Dry option.

Large Dryer Capacity

Finish more laundry in less time with our 7.0 cu. ft. I.E.C. dryer capacity.

One-Touch™ Wrinkle Release

Prevent wrinkles with our Wrinkle Release Technology that finishes by tumbling without heat, so your clothes look great every time.

Balanced Dry System

Dries clothes more evenly for better results.

Product Dimensions

Height	36"
Width	27"
Depth	30-5/16"

More Easy To Use Features

Ready Steam™

Refresh clothes and remove wrinkles with the "Add Steam" option.

Reversible Door

Choose which direction you want the door to open to accommodate your space.

Precision Dry™ Moisture Sensor

Dries your clothes more precisely, reducing wrinkles.

Timed Dry Cycles

Ready-Select® Controls

Easily select options with the touch of a button.

Auto Dry Cycles

Control Lock

Optional Pedestal Drawer

Dryness Selections

Allow for better control over fabric care and the drying process. More Dry, Normal, Less Dry or Damp can be selected. More Dry is ideal for towels while Damp is perfect for items that will be ironed.

NSF® International Certification



Available in:



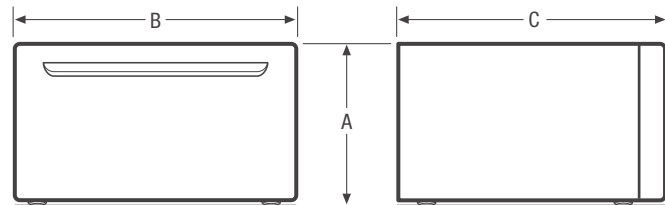
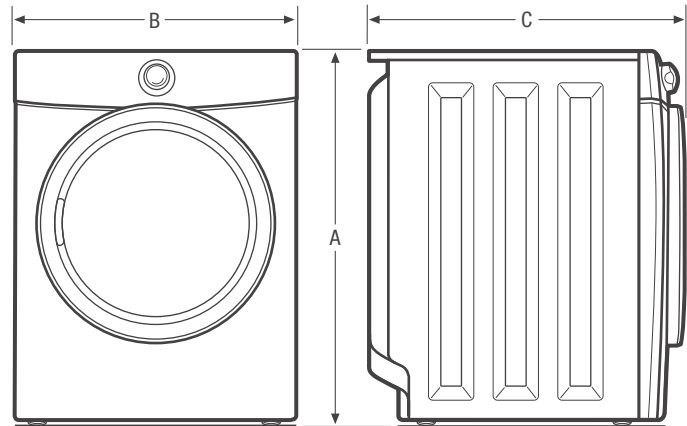
Classic Silver (A)



Classic White (W)

Features	
Total Capacity I.E.C. (Cu.Ft.)	7.0
Controls	Ready-Select*
Dryer Drum Interior	Stainless Steel
Interior Light	Yes
Door Trim	Chrome
Ready Steam™	Option
DrySense™ Technology	Yes
Wrinkle Release Technology	Yes
TimeWise® Technology	Yes
Precision Moisture Sensor	Yes
Time Remaining Indicator	Yes
Cycle Status Lights	Yes
Cycle Signal	Chime
Cycle Signal "On/Off"	Yes
Cycle Signal Volume Control	
Control Lock	Yes
Start/Pause/Cancel Buttons	Yes
Energy Saver Option	Yes
Delay Start	1 to 12 Hours
Tumble Speed (RPM)	50
Reversible Door	Yes
Lint Screen	Yes
Sound Package	SilentDesign™
Adjustable Leveling Legs	Yes
Cycles	
Dry Cycles	10
Specialty Cycles	0
Options	
Temperature Selections	5
Dryness Level Selections	5
Timed Dry	30, 60, 75, 90
Optional Accessories	
Dryer Stacking Kit	PN# STACKIT4X
15" Frigidaire® Pedestal Drawers	
Classic Silver (A)	PN# CFPWD15A
Classic White (W)	PN# CFPWD15W
Mobile Home Installation Kit	PN# 137067200
Drying Rack	PN# 137067300
Certifications	
NSF® Certified Sanitize	Yes
Specifications	
Maximum Exhaust Duct Length¹ (Ft.)	64
Power Supply Connection Location	Right Bottom Rear
Voltage Rating	240V / 60Hz / 30A
Connected Load (kW Rating) @ 240 Volts	5.4
Amps @ 240 Volts	24
Heating Element @ 240 Volts (Watts)	5,500
Shipping Weight (Approx.)	140 Lbs.

¹Rigid metal duct preferred, semi-rigid optional and allow deductions for elbows and vents. Refer to Installation Guide on web for additional information.



NOTE: For planning purposes only. Always consult local and national electric and plumbing codes. Refer to Product Installation Guide for detailed installation instructions on the web at frigidaire.ca.



Product Dimensions	
A - Height (Single)	36"
Height (Stacked)	71-1/2"
B - Width	27"
C - Depth	30-5/16"
Depth with Door Open 90°	51-7/16"
Pedestal Dimensions	
A - Height	15-1/4"
B - Width	27"
C - Depth	26-1/2"
Depth with Drawer Fully Extended	42-1/2"

Accessories information available on the web at frigidaire.ca