



# Front Load Dryer

FFQG5100PW

6 Dry Cycles  
7.0 Cu. Ft. I.E.C. Gas



Optional SpaceWise® Pedestal Drawer Shown

## Signature Features

### Large Dryer Capacity

Finish more laundry in less time with our 7.0 cu.ft. I.E.C. dryer capacity.

### One-Touch™ Wrinkle Release

Prevent wrinkles with our Wrinkle Release Technology that finishes by tumbling without heat, so your clothes look great every time.

### Balanced Dry System

Dries clothes more evenly for better results.

### Reversible Door

Choose which direction you want the door to open to accommodate your space.

### Product Dimensions

Height	36"
Width	27"
Depth	30-5/16"

### More Easy To Use Features

**Precision Dry™ Moisture Sensor**  
Dries your clothes more precisely, reducing wrinkles.

### Timed Dry Cycles

**Ready-Select® Controls**  
Easily select options with the touch of a button.

### Auto Dry Cycles

### Control Lock

### Optional Pedestal Drawer

### Dryness Selections

Allow for better control over fabric care and the drying process. More Dry, Normal, Less Dry or Damp can be selected. More Dry is ideal for towels while Damp is perfect for items that will be ironed.

### Available in:

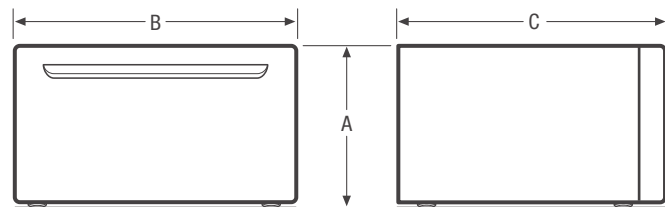
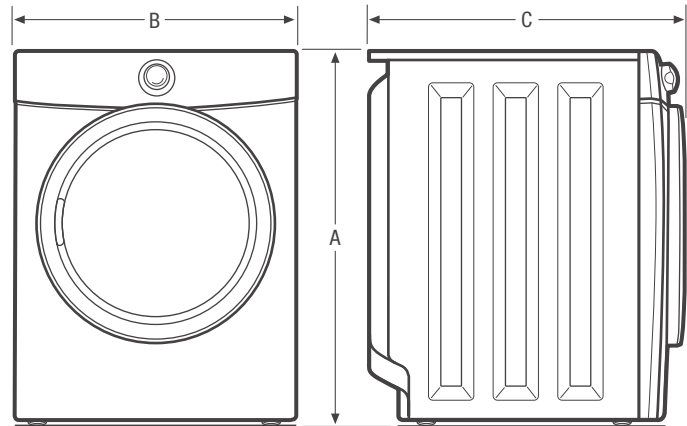


Classic White (W)

Features	
Total Capacity I.E.C. (Cu.Ft.)	7.0
Controls	Ready-Select*
Dryer Drum Interior	Painted Steel
Interior Light	Yes
Door Trim	Chrome
Ready Steam™	
DrySense™ Technology	Yes
Wrinkle Release Technology	Yes
TimeWise® Technology	Yes
Precision Moisture Sensor	Yes
Time Remaining Indicator	Yes
Cycle Status Lights	Yes
Cycle Signal	Chime
Cycle Signal "On/Off"	Yes
Cycle Signal Volume Control	
Control Lock	Yes
Start/Pause/Cancel Buttons	Yes
Energy Saver Option	
Delay Start	
Tumble Speed (RPM)	50
Reversible Door	Yes
Lint Screen	Yes
Sound Package	SilentDesign™
Adjustable Leveling Legs	Yes
Cycles	
Dry Cycles	6
Specialty Cycles	0
Options	
Temperature Selections	5
Dryness Level Selections	4
Timed Dry	30, 60, 90
Optional Accessories	
Dryer Stacking Kit	PN# STACKIT4X
15" Frigidaire® Pedestal Drawers	
Classic White (W)	PN# CFPWD15W
Mobile Home Installation Kit	PN# 137067200
LP Gas Conversion Kit	PN# PCK4200
Drying Rack	PN# 137067300
Certifications	
NSF® Certified Sanitize	
Specifications	
Maximum Exhaust Duct Length¹ (Ft.)	64
Gas Connection	Left Bottom Rear
Power Cord Location	Right Bottom Rear
Voltage Rating	120V / 60Hz / 15A
Connected Load (kW Rating) @ 120 Volts²	0.75
Amps @ 120 Volts	7
Heating Element (BTU/HR)	20,000
Shipping Weight (Approx.)	140 Lbs.

<sup>1</sup>Rigid metal duct preferred, semi-rigid optional and allow deductions for elbows and vents. Refer to Installation Guide on web for additional information.

<sup>2</sup>For use on adequately wired 120V, dedicated circuit having 2-wire service with a separate ground wire. Appliance must be grounded for safe operation.



NOTE: For planning purposes only. Always consult local and national electric, gas and plumbing codes. Refer to Product Installation Guide on the web at [frigidaire.ca](http://frigidaire.ca) for detailed instructions.



Product Dimensions	
A - Height (Single)	36"
Height (Stacked)	71-1/2"
B - Width	27"
C - Depth	30-5/16"
Depth with Door Open 90°	51-7/16"
Pedestal Dimensions	
A - Height	15-1/4"
B - Width	27"
C - Depth	26-1/2"
Depth with Drawer Fully Extended	42-1/2"

Accessories information available on the web at [frigidaire.ca](http://frigidaire.ca)