

# Frigidaire



## French Door Refrigerator

17.4 Cu. Ft. 4 Door Refrigerator

FRQG1721AV

Available Colors : Brushed Steel

Version : 02/21

### Refrigerator

|                                     |       |
|-------------------------------------|-------|
| Air Filter                          | No    |
| Crisper Color                       | Clear |
| Interior Lighting                   | LED   |
| Shelf Material                      | Glass |
| Water Filter                        | No    |
| Number of Fixed Condiment Door Bins | 2     |
| Number of Fixed Gallon Door Bins    | 4     |
| Total Number of Door Bins           | 6     |
| Number of Adjustable Shelves        | 1     |
| Number of Fixed Shelves             | 2     |
| Total Number of Shelves             | 3     |
| Number of Crispers                  | 2     |

### Freezer

|                          |     |
|--------------------------|-----|
| Air Filter               | No  |
| Interior Lighting        | LED |
| Number of Baskets / Bins | 4   |
| Number of Drawers        | 2   |

### Ice Maker

|           |    |
|-----------|----|
| Ice Maker | No |
|-----------|----|

### Controls

|                 |     |
|-----------------|-----|
| Digital Display | Yes |
|-----------------|-----|

### Exterior

|                |          |
|----------------|----------|
| Cabinet Color  | Gray     |
| Cabinet Finish | Textured |
| Counter-Depth  | Yes      |
| Door Stops     | Yes      |
| Door Finish    | Smooth   |
| Front Rollers  | Yes      |
| Rear Rollers   | Yes      |

## Dimensions and Volume

|                          |              |
|--------------------------|--------------|
| Height Without Hinge     | 70"          |
| Width                    | 32 13/16"    |
| Depth of Cabinet         | 25 3/4"      |
| Depth With Door 90° Open | 42 7/8"      |
| Fresh Food Capacity      | 11.9 Cu. Ft. |
| Freezer Capacity         | 5.5 Cu. Ft.  |
| Total Capacity           | 17.4 Cu. Ft. |

### Installation

|                     |     |
|---------------------|-----|
| Power Cord Included | Yes |
| Power Cord Length   | 67" |

### General Specifications

|                  |                 |
|------------------|-----------------|
| Condenser Type   | Dynamic         |
| Cooling System   | Dual Evaporator |
| Leveling Legs    | Yes             |
| Product Weight   | 233 lbs         |
| Prop 65 Label    | Yes             |
| Refrigerant Type | R-600A          |

### Safety Certifications & Approvals

|            |     |
|------------|-----|
| CSA Listed | Yes |
|------------|-----|

Note: For planning purposes only. Always consult local and national electric, gas and plumbing codes.

Refer to Product Installation Guide for detailed installation instructions on the web at [frigidaire.com](http://frigidaire.com) / [frigidaire.ca](http://frigidaire.ca)

Specifications subject to change. Accessories information available on the web at [frigidaire.com](http://frigidaire.com) / [frigidaire.ca](http://frigidaire.ca)

USA • 10200 David Taylor Drive • Charlotte, NC 28262 • 1-800-FRIGIDAIRE • [frigidaire.com](http://frigidaire.com)

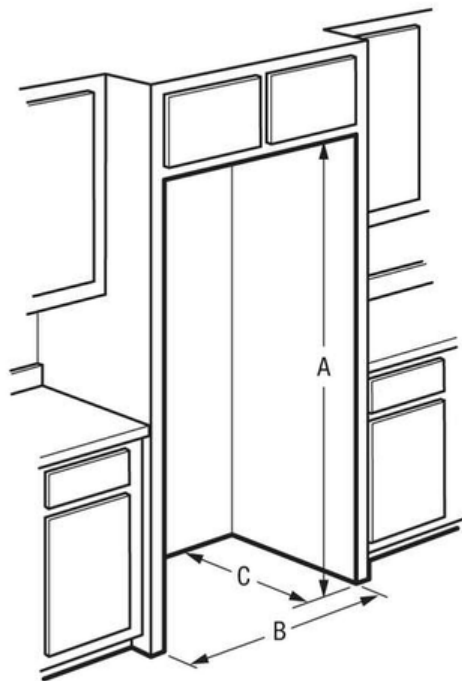
CANADA • 5855 Terry Fox Way • Mississauga, ON L5V 3E4 • 1-800-265-8352 • [frigidaire.ca](http://frigidaire.ca)

# Frigidaire

17.4 Cu. Ft. 4 Door Refrigerator

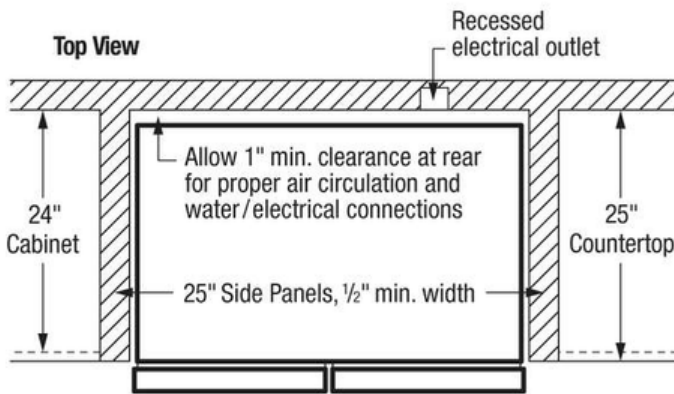
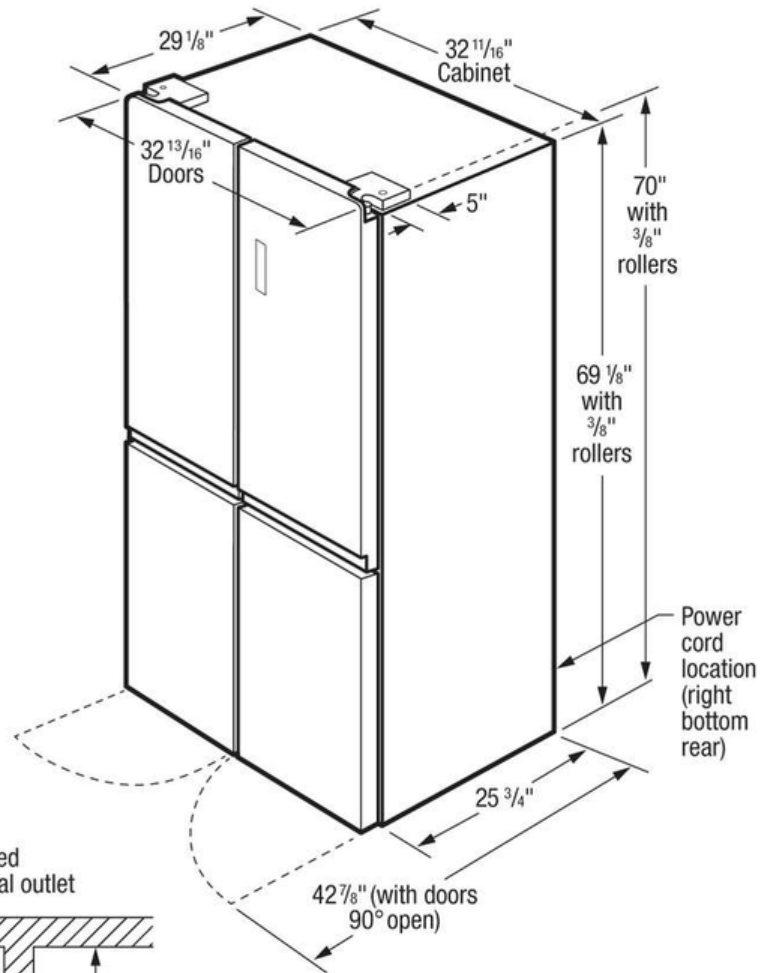
FRQG1721AV

Version : 02/21



**“Built-In Look”  
Cutout Dimensions**

(A) 70 1/4" (B) 33" (C) 25"



Note: For planning purposes only. Always consult local and national electric, gas and plumbing codes.

Refer to Product Installation Guide for detailed installation instructions on the web at [frigidaire.com](http://frigidaire.com) / [frigidaire.ca](http://frigidaire.ca)

Specifications subject to change. Accessories information available on the web at [frigidaire.com](http://frigidaire.com) / [frigidaire.ca](http://frigidaire.ca)

USA • 10200 David Taylor Drive • Charlotte, NC 28262 • 1-800-FRIGIDAIRE • [frigidaire.com](http://frigidaire.com)

CANADA • 5855 Terry Fox Way • Mississauga, ON L5V 3E4 • 1-800-265-8352 • [frigidaire.ca](http://frigidaire.ca)