



Slide-In Ranges

CFES3025P S/W/B

30" Electric



Product Dimensions

Height (Max.)	36-5/8"
Width	30"
Depth	28-5/16"

More Easy-To-Use Features

SpaceWise® Expandable Elements
Flexible elements expand to meet your cooking needs – big or small.

Extra-Large Window
Check on the status of your dish without having to open the oven door.

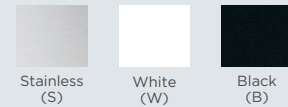
Ready-Select® Controls
Easily control your cooking temperature with our easy-to-use controls.

Store-More™ Storage Drawer
With the Store-More™ Storage Drawer, you will have extra space to store your cookware.

Oven Rack Handles
Oven racks are designed with space for you to easily pull out the racks, even when wearing an oven mitt.

Delay Clean
Set the oven to begin cleaning on your schedule.

Available in:



Signature Features

Large Capacity

Our large capacity oven gives you room to cook more at once.

Extra-Large Element

With our extra-large 12" element, you have more flexibility to fit larger pots and pans.

Even Baking Technology

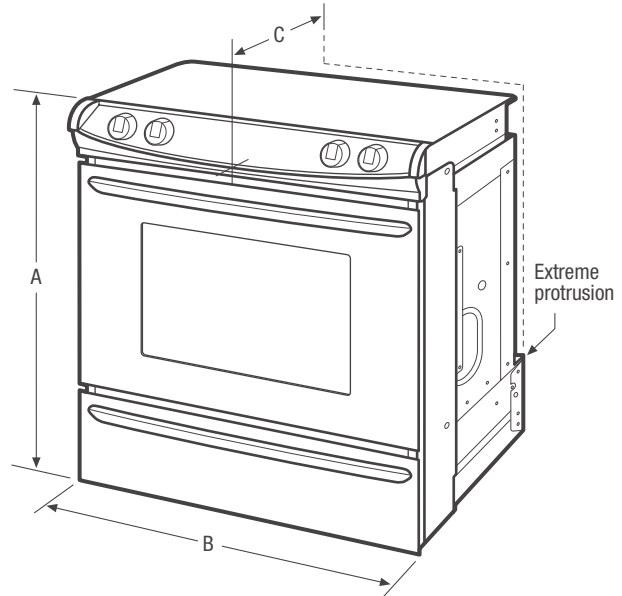
Our even baking technology ensures even baking every time.

One-Touch Self-Clean

Your oven cleans itself – so you don't have to. Self-clean options available in 2- and 3-hour cycles.

Elements	Size	Watts
Right Front	12"	2,700
Right Rear	6"	1,200
Left Front	6"/9"	1,400/3,000
Left Rear	7"	1,500

Features	
Oven Control/Timing System	Ready-Select® Controls
Surface Type	Black Ceramic Glass (S), Colour-Coordinated Ceramic Glass (W/B)
Window	Extra-Large
Exterior Door Finish	Stainless Steel (S), Colour-Coordinated (W/B)
Handle Design	Stainless Steel (S), Colour-Coordinated (W/B)
Exterior Finish (Side Panels)	Black (S), Colour-Coordinated (W/B)
Convection System	
Oven Cleaning System	Self-Clean
Drawer Functionality	Storage
Oven Controls	
Bake	Yes
Broil	Variable
Keep Warm	
Add-a-Minute	
Delay Start	Yes
Self-Clean/Clean Options	Yes/2, 3 Hours
Steam Clean	
Delay Clean	2, 3 Hours (Scroll Thru)
Kitchen Timer	Yes
Timed Cook Option	Yes
Auto Oven Shut-Off	12 Hours
Cooktop Features	
Right Front Element (Watts)	12" - 2,700
Right Rear Element (Watts)	6" - 1,200
Left Front Element (Watts)	6" / 9" - 1,400 / 3,000
Left Rear Element (Watts)	7" - 1,500
Centre Element (Watts)	
Hot Surface Indicator Light	Yes
Coil Cooktop/Drip Bowls	
Oven Features	
Capacity (Cu.Ft.)	4.6
Oven Light	1
Hidden Bake Element	
Rack Configuration	2 Handle Racks
Baking System	Even Baking Technology
Broiling System	Vari-Broil™ Hi/Lo
Bake Element/Broil Element (Watts)	2,750 / 3,400
Optional Accessories	
Rear Filler Kit - Stainless Steel (S)/ White (W)/Black (B)	(S) PN# 901193-001S (W) PN# 901193-9011 (B) PN# 901193-9010
Side Panel Kit - Stainless Steel (S)/ White (W)/Black (B)	(S) PN# 903074-901S (W) PN# 903074-9011 (B) PN# 903074-9010
Backguard Kit - Stainless Steel (S)/ White (W)/Black (B)	(S) PN# 903046-901S (W) PN# 903046-9011 (B) PN# 903046-9010
Side Trim Kit - Stainless Steel (S)/ White (W)/Black (B)	(S) PN# 903075-901S (W) PN# 903075-9011 (B) PN# 903075-9010
Certifications	
Sabbath Mode (Star-K® Certified)	
Specifications	
Oven Interior (H x W x D)	17-1/2" x 24-1/8" x 18-3/4"
Power Supply Connection Location	Left Bottom Rear
Voltage Rating	240V / 208V / 60Hz
Connected Load (kW Rating) @ 240/208 Volts	11.8 / 8.9 kW
Amps @ 240/208 Volts	49.1 / 42.8
Minimum Circuit Required (Amps)	40
Shipping Weight (Approx.)	200 Lbs.



NOTE: For planning purposes only. Always consult local and national electric codes. Refer to Product Installation Guide for detailed installation instructions on the web at frigidaire.ca.



Product Dimensions		Cutout Dimensions	
A - Height (Min./Max.)	35-3/4" / 36-5/8"	Height (Min./Max.)	35-7/8" / 36-5/8"
B - Width	30"	Width (Min./Max.)	29-15/16" / 30-1/16" *
C - Depth	28-5/16"	Depth (Min./Max.)	21-3/4" / 22-1/8" **
Depth with Door Open 90°	47-9/16"		

*Cutout and countertop cutout width should match.
**24" with optional backguard installed.

Accessories information available on the web at frigidaire.ca