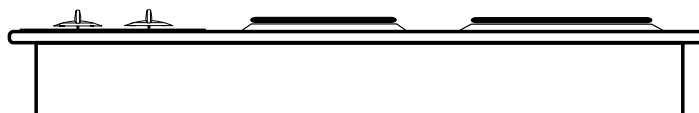
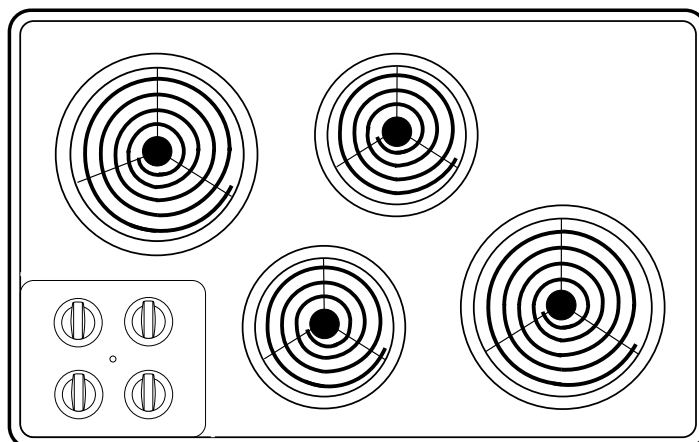


FACTORY PARTS CATALOG RANGE

Frigidaire



PRODUCT NO.	BASE MODEL NO.	FACTORY NO.	COLOR	MARKET
FEC32C4ACA	FEC32C4A	38054311610C1	stainless	North America
FEC32C4AQA	FEC32C4A	3805431161041	bisque	North America
FEC32C4ASA	FEC32C4A	3805431161011	white	North America

WIRING DIAGRAM - # 318046901
OWNER'S GUIDE - # 318200612
INSTALLATION INSTRUCTIONS - # 318201410

Electrolux

ELECTROLUX HOME PRODUCTS NORTH AMERICA
 P.O. BOX 212378, Augusta, GA 30917

Publication No.
 5995361473
 011129
 -EN/SERVICE /ECL
 377

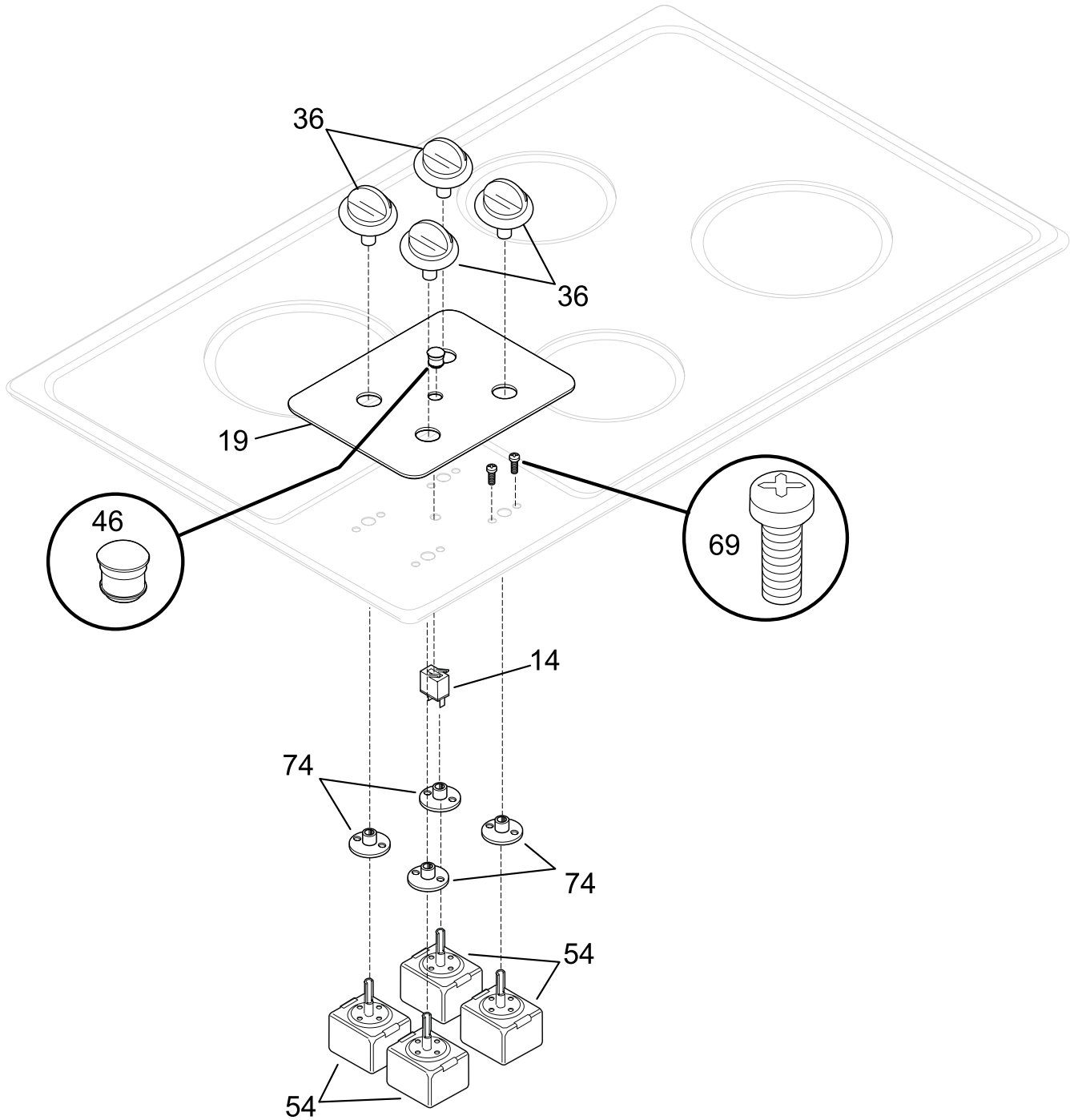
ELECTRIC

COOKTOP

Model No.
FEC32C4A

©2001 White Consolidated Industries, Inc.
 All rights reserved

CONTROL PANEL



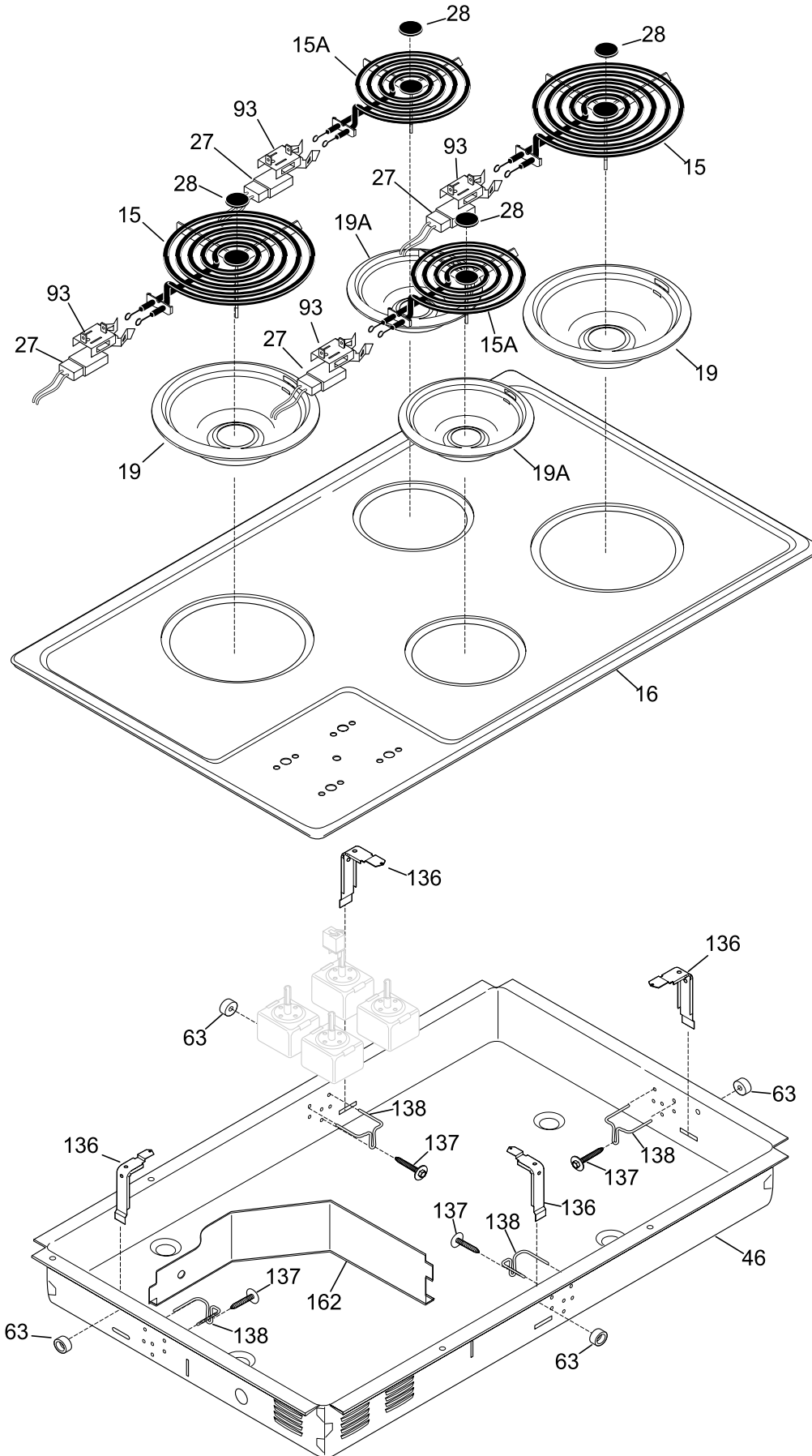
LA9923G28

CONTROL PANEL

A = FEC32C4A (FEC32C4ASA)
B = FEC32C4A (FEC32C4AQA)
C = FEC32C4A (FEC32C4ACA)

POS. NO	PART NO		DESCRIPTION
14	5303323991	A B C	Lamp,indicator
19	318183502	A - -	Insert,white
19	318183503	- B -	Insert,bisque
19	318183504	- - C	Insert,black
36	318196603	A - -	Knob,control ,white
36	318196605	- B -	Knob,control ,bisque
36	318196604	- - C	Knob,control ,black
46	5303200418	A B C	Lens,indicator light
54 #	318120504	A B C	Switch,surface unit ,(4)
69	5303305528	A B C	Screw,8-32 x 1/4
74	318146010	A B C	Bushing,switch
*	08002868	A B C	Screw,10-24 x 0.500 ,probe,thrm brkt ,shield,drwr,box
*	5303308449	A B C	Fastener
*	5303323140	A B C	Screw,ground ,10-32 x 0.375

MAINTOP / SURFACE UNITS

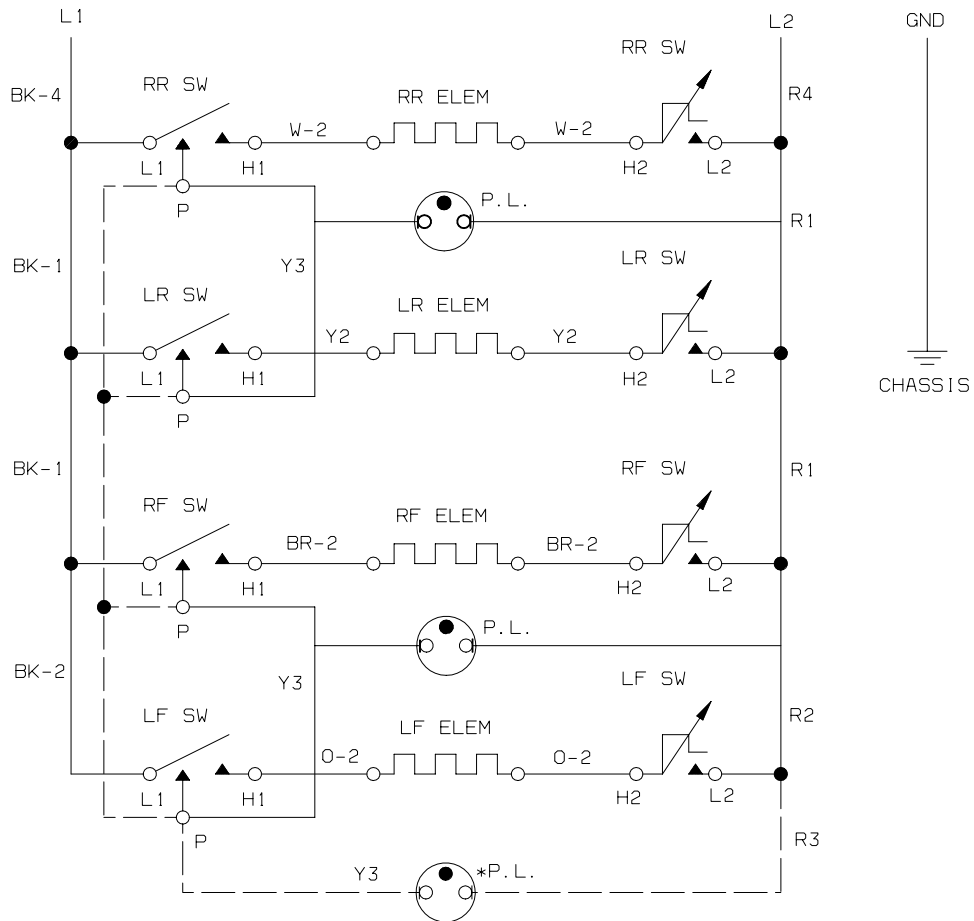


MAINTOP / SURFACE UNITS

A = FEC32C4A (FEC32C4ASA)
B = FEC32C4A (FEC32C4AQA)
C = FEC32C4A (FEC32C4ACA)

POS. NO	PART NO		DESCRIPTION
15 #	5308011964	A B C	Element,surface ,large/8 inch ,(2) ,medallion incl
15A#	5303299749	A B C	Element,surface ,small/6 inch ,(2) ,medallion incl
16	5303299756	A - -	Main Top,white
16	318158900	- B -	Main Top,bisque
16	5303299758	- - C	Main Top,stainless
19 #	318067056	A B C	Pan,surface element ,large ,chrome
19A#	318067046	A B C	Pan,surface element ,small ,chrome
27 #	5303323704	A B C	Terminal Block,surface element
28	5303301461	A B C	Medallion,surface element
46	5304410269	A B C	Burner Box
63	08007817	A B C	Spacer,(6)
93	318122500	A B C	Support,terminal block ,(4)
136	3008711	A B C	Bracket,mounting
137	5303325981	A B C	Screw, 10-16 x 1 1/2
138	08016269	A B C	Clip
162	3008713	A B C	Shield wire
*	08002868	A B C	Screw,10-24 x 0.500 ,probe,thrm brkt ,shield,dwr,box
*	5303300195	A B C	Screw,10-32 x 0.375 ,terminal block ,(2)
*	5303323140	A B C	Screw,ground ,10-32 x 0.375
* #	5303323364	A B C	Box & wires assy
*	5303324512	A B C	Screw,6-32 x 5/16

WIRING DIAGRAM



COLORS / COULEURS

- BL. - BLUE/BLEU
- BR. - BROWN / BRUN
- R. - RED / ROUGE
- Y. - YELLOW / JAUNE
- BK. - BLACK / NOIR
- W. - WHITE / BLANC
- O. - ORANGE / ORANGE
- C. - COPPER / CUIVRE
- P. - PINK / ROSE
- V. - VIOLET / VIOLET
- G. - GREEN / VERT
- PR. - PURPLE / POURPRE

LEGEND / LEGENDE

- SW. SWITCH
INTERRUPTEUR
- L.R. LEFT REAR
ARRIERE GAUCHE
- L.F. LEFT FRONT
AVANT GAUCHE
- R.R. RIGHT REAR
ARRIERE DROIT
- R.F. RIGHT FRONT
AVANT DROIT
- P.L. PILOT LIGHT
LAMPE TMOIN

NOTE :

- SERVICE: IF REPLACEMENT OF LEAD WIRE BECOMES NECESSARY USE EQUIVALENT WIRE TYPE, GAGE AND TERMINALS.
- SERVICE: SI LE REMPLACEMENT DE FILS EST NECESSAIRE, VEILLER UTILISER DES FILS DE MEME TYPE DE MEME CALIBRE ET DE MEME COSSES.
- **MODEL WITH 1 PILOTE LIGHT(-----).
- **MODELE AVEC 1 LAMPE TMOIN(-----).

WARNING/ATTENTION

DISCONNECT POWER BEFORE SERVICING UNIT.
COUPER LE COURANT AVANT D'EFFECTUER UNE REPARATION.
USE COPPER WIRE ONLY.
UTILISER SEULEMENT DU FIL DE CUIVRE.

COLOR WIRE NO./NO. FIL DE COULEUR	WIRE FIL	GAGE CALIBRE	TEMP. °C TEMP. °C	UL STYLE STYLE UL
(W/BL-1)	1	14	150°C	3321
TRACER WIRE: WIRE COLOR NOTED FIRST, STRIPE NEXT. EXAMPLE: WHITE WIRE WITH BLUE STRIPE.	2	16	150°C	3321
FIL LIGNE: COULEUR DU FIL NOTE EN PREMIER, LA LIGNE APRES. EXEMPLE: FIL BLANC AVEC LIGNE BLEU.	3	18	150°C	3321
	4	12	150°C	3321

318046901 REV. C