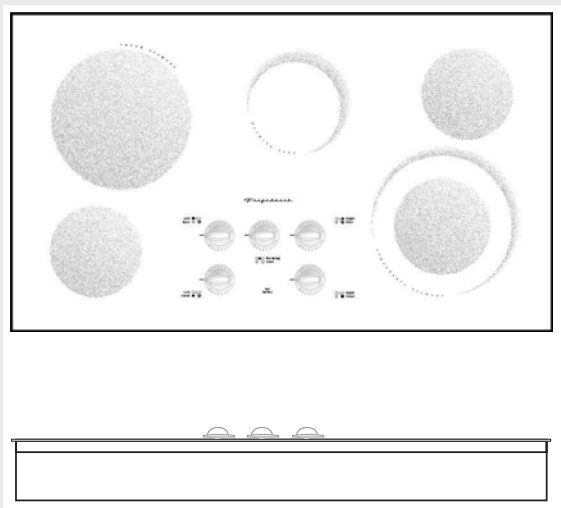


Frigidaire

Factory Parts Catalog



Product No.	FEC36S7EBA	FEC36S7ECA	FEC36S7ESA
	3805442365461	38054423654S1	3805443365411
Series	36" elec	36" elec	36" elec
Color	black	stainless	white
Market	North America	North America	North America
Wiring Diagram	318046807	318046807	318046807
Owner's Guide	318200628	318200628	318200628
Installation Instructions	318201426	318201426	318201426

Electrolux

Electrolux Major Appliances
North & Latin America
P.O. BOX 212378
AUGUSTA, GA 30917

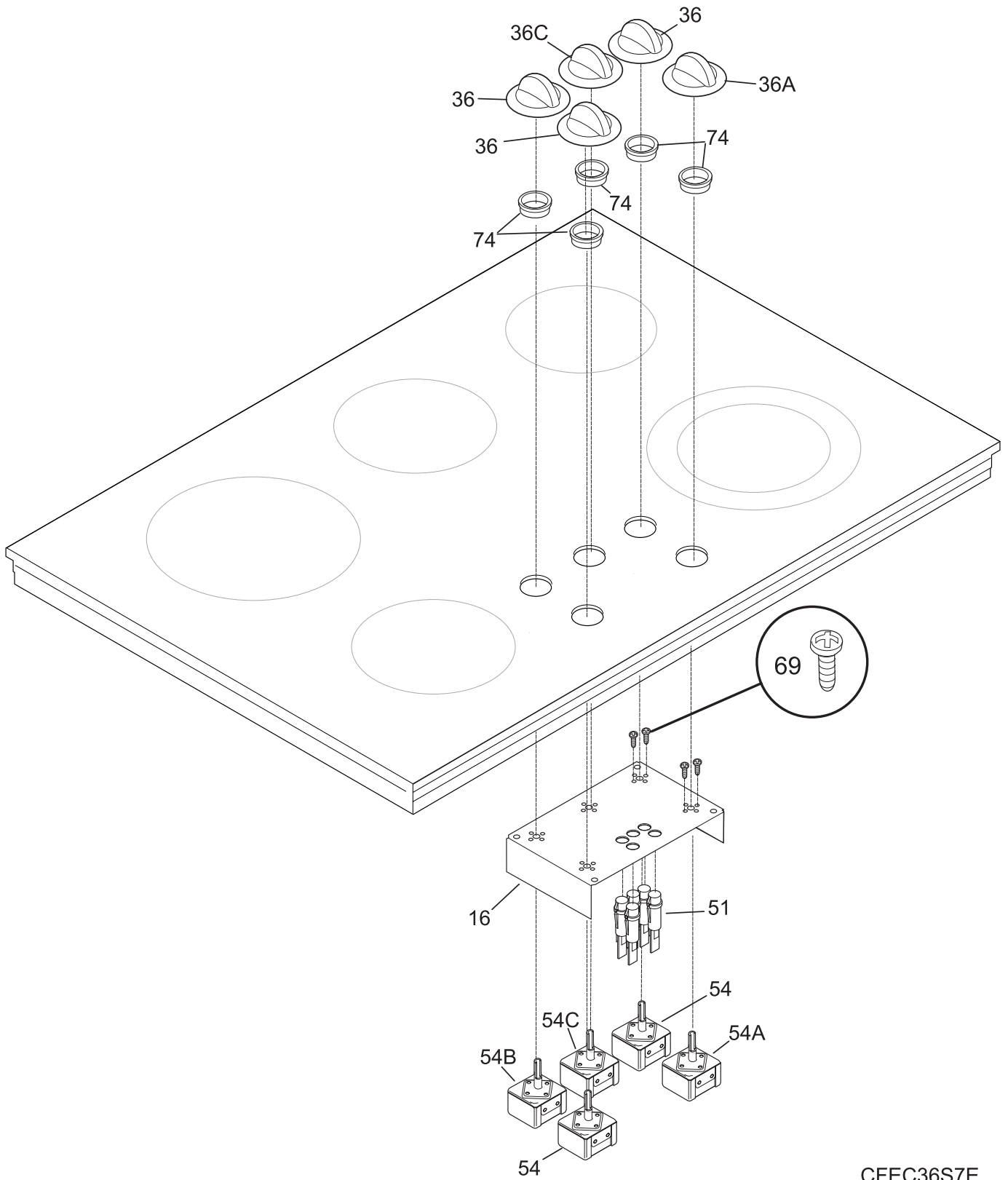
Publication No.
5995450847
05/10/07
(EN/SERVICE/ECL)
377

ELECTRIC COOK-TOP RANGE

Model No.
FEC36S7E

Copyright © 2005 Electrolux Home Products, Inc.
All rights reserved.

CONTROL PANEL



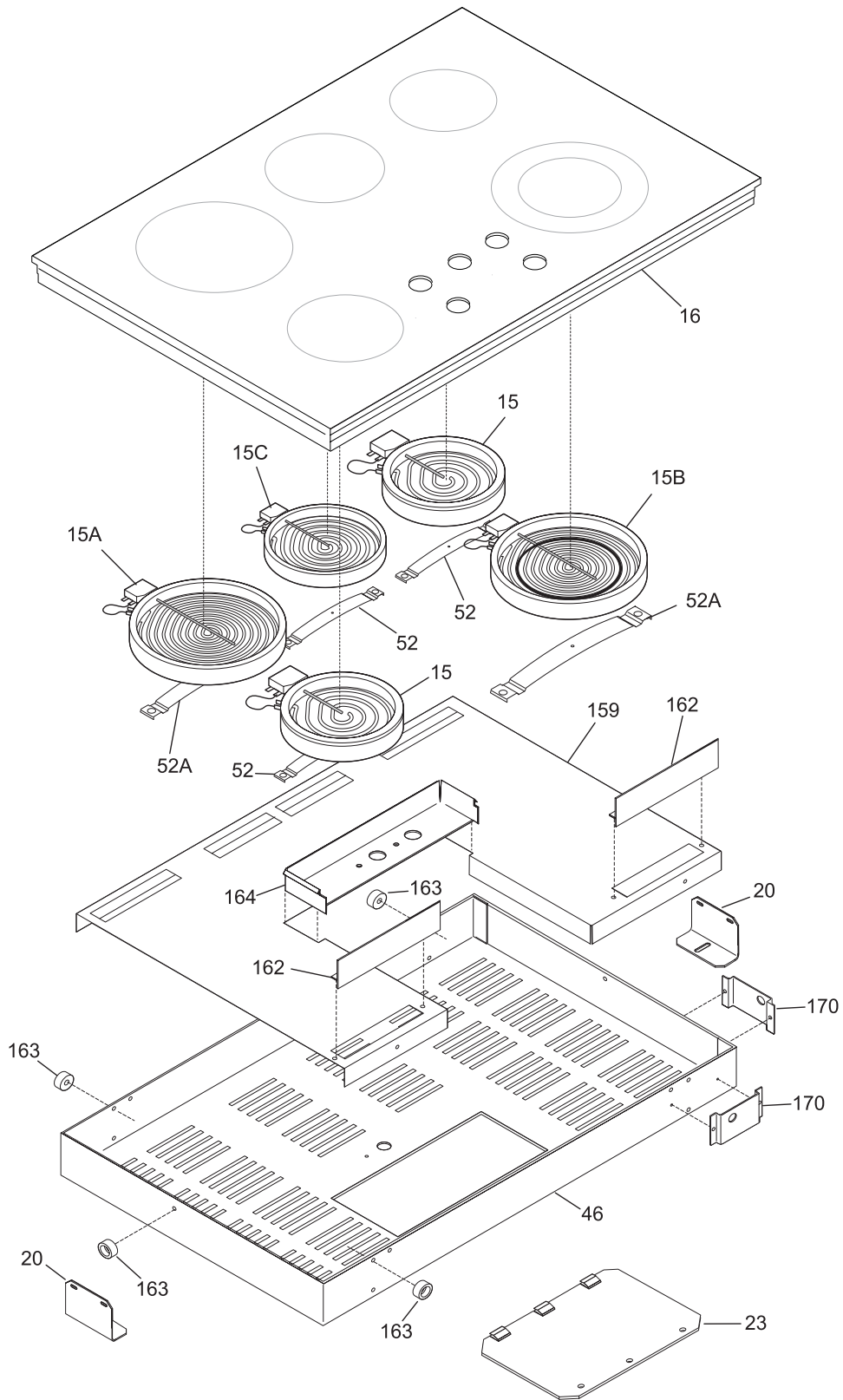
CFEC36S7E

CONTROL PANEL

Model Index: A FEC36S7E (FEC36S7ESA)
 B FEC36S7E (FEC36S7EBA)
 C FEC36S7E (FEC36S7ECA)

POS. NO	PART NO.		DESCRIPTION
16	318096332	A B C	Box, instrument mtg
36	318196633	A - -	Knob, control, white
36	318196634	- B C	Knob, control, black
36A	318196630	A - -	Knob, dual control, white
36A	318196631	- B C	Knob, dual control, black
36C	318196636	A - -	Knob, warmer, white
36C	318196637	- B C	Knob, warmer, black
51 #	318044820	A - -	Light, indicator, red
51 #	318044822	- B C	Light, indicator, clear
54 #	318220071	A B C	Switch, surface unit, small
54A#	318191000	A B C	Switch, infinite, dual
54B#	318293817	A B C	Switch, surface element, 3000W
54C#	318078801	A B C	Switch, element, 6", warmer
69	5303323134	A B C	Screw, 8-32 x 0.188
74	318148900	A B C	Bushing, switch
*	318163602	- - C	Cleaner, stainless steel
*	5303300265	A B C	Screw, 8-18 X 1/2, (2)
*	5303323140	A B C	Screw, ground, 10-32 x 0.375

MAIN TOP/SURFACE UNITS



TFEC36S7E

MAIN TOP/SURFACE UNITS

Model Index: A FEC36S7E (FEC36S7ESA)
 B FEC36S7E (FEC36S7EBA)
 C FEC36S7E (FEC36S7ECA)

POS. NO	PART NO.		DESCRIPTION
15 #	318198817	A B C	Element, surface, 6", 1200 W, (2)
15A#	318198823	A B C	Element, surface, 9", large, 2700 W
15B#	318198925	A B C	Element, surface, 6/9, 1200/2500W, dual radiant
15C#	318198825	A B C	Element, surface, warmer, 100 W
16	318079427	A - -	Main Top, white
16	318079428	- B -	Main Top, black
16	318079429	- - C	Main Top, black/stainless, w/front trim
20	318121902	A B C	Bracket, retainer
23	5303297401	A B C	Panel, service
46	318077227	A B C	Burner Box
52	318122006	A B C	Spring, element mtg, small
52A	318122010	A B C	Spring, element mtg, 1000W/2500W
159	318125122	A B C	Deflector
162	318125211	A B C	Deflector
163	318014110	A B C	Spacer, (6)
164	318125302	A B C	Plate, connection
170	318124910	A B C	Screen, thermal, (4)
* #	318078531	A B C	Box & wires assy
*	318199426	A B C	Harness, wiring, main
*	08016432	A B C	Screw, truss head, 8-18 x 0.375
*	5303300265	A B C	Screw, 8-18 X 1/2, (2)
*	5303323129	A B C	Screw, 8 X 0.750
*	5303323140	A B C	Screw, ground, 10-32 x 0.375

WIRING DIAGRAM

MODEL WITH BRIDGE ELEMENT / MODELO Y ELEMENTO RADIANTE
SUPERIOR DE PUENTE / MODELE AVEC ELEMENT PONT

MODEL WITH DOUBLE ELEMENT / MODELO Y ELEMENTO DE DOBLE
MODELE AVEC ELEMENT DOUBLE

MODEL WITH REGULAR ELEMENT / MODELO Y ELEMENTO REGULARE
MODELE AVEC ELEMENT REGULIER

MODEL WITH WARMING ELEMENT / MODELO Y ELEMENTO DE CALENTADOR /
MODELE AVEC ELEMENT RECHAUD

CODE	GAUGE/MEDIDA/ CALIBRE	TEMP.	STYLE/ESTILO/ ESTR	UL
1	18	125	CL 1251	3173
2	16	125	CL 1251	3173
4	14	125	CL 1251	3173
5	12	150	EXL-150	3321
6	16	150	EXL-150	3321
7	14	150	EXL-150	3321
8	12	150	EXL-150	3321
9	10	150	EXL-150	3321
10	18	200	SEW-1	3122
11	16	200	SEW-1	3122
*12	18	250		3252
*13	16	250		3252
14	20	150	EXL-150	3321
15	8	150	EXL-150	3321
16	8	60		
17	10	60		

* NOTE USED FOR CANADIANS
 * NOTE UTILISE POUR MODELES CANADIENS.

* LIMITER/LIMITADOR/LIMITEUR
 CERAMASPEED/E1KA

* LIMITER/LIMITADOR/LIMITEUR
 E.G.O./A.K.O.

LEGEND/LEYENDA/LEGENDE

SW. - SWITCH
 INTERRUPTOR
 INTERRUPTEUR

P.L. - PILOT LIGHT
 LAMPARA PILOTO
 LAMPE TEMOIN

R.F. - RIGHT FRONT
 FRENTE DERECHO
 AVANT DROIT

R.R. - RIGHT REAR
 TRASERO DERECHO
 ARRIERE DROIT

L.F. - LEFT FRONT
 FRENTE IZQUIERDO
 AVANT GAUCHE

L.R. - LEFT REAR
 TRASERO IZQUIERDO
 ARRIERE GAUCHE

R.C. - REAR CENTER
 TRASERO CENTRO
 ARRIERE CENTRE

L.C. - LEFT CENTER
 CENTRO DE IZQUIERDO
 CENTRE GAUCHE

H.S. - HOT SURFACE
 SUPERFICIE CALIENTE
 SURFACE CHAUDE

**COLOR CODE/CODIGOS/
 CODE COULEUR**

BL. - BLUE/AZUL/BLEU
 R. - RED/ROJO/ROUGE
 Y. - YELLOW/AMARILLO/JAUNE
 BK. - BLACK/NEGRO/NOIR
 W. - WHITE/BLANCO/BLANC
 O. - ORANGE/NARANJA/ORANGE
 BR. - BROWN/MORENO/BRUN

LEGENDE/LEYENDA/LEGENDE 2

Y-11(13) ON/EN/SUR L.R. POSITION/POSICION/POSITION
 W-11(13) ON/EN/SUR R.R. POSITION/POSICION/POSITION
 BR-11(13) ON/EN/SUR R.F. POSITION/POSICION/POSITION
 O-11(13) ON/EN/SUR L.F. POSITION/POSICION/POSITION

REMARK: FOR CONNECTING THE PLATFORM SEE INSTALLATION SHEET OR USE AND CARE GUIDE

LEGENDE/LEYENDA/LEGENDE 3

MODEL WITH 4 PILOT LIGHT/MODELO Y 4 LAMPARA
 PILOTO / MODELE AVEC 4 LAMPES TEMOINS
 BR-10(12) ON/EN/SUR L.F. POSITION/POSICION/POSITION
 BL-10(12) ON/EN/SUR R.R. POSITION/POSICION/POSITION
 GY-10(12) ON/EN/SUR R.F. POSITION/POSICION/POSITION
 W-10(12) ON/EN/SUR L.F. POSITION/POSICION/POSITION

MODEL WITH 1 PILOT LIGHT/MODELO Y 1 LAMPARA
 PILOTO/MODELE AVEC 1 LAMPE TEMOIN
 J-10(12) ON ALL/TOUTES POSITIONS

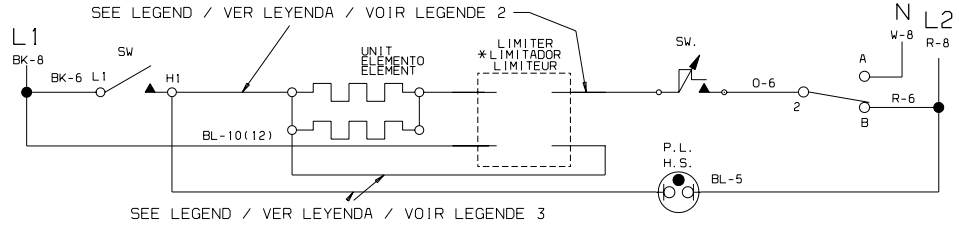
NOTA: PARA CONECTAR LA PARRILLA DE COCINAR, VER LA HOJA DE INSTALACION O EL MANUAL DEL USUARIO.

REMARQUE: POUR BRANCHER LA TABLE DE CUISSON VOIR LE FEUILLET D'INSTALLATION OU LE MANUEL D'UTILISATION ET D'ENTRETIEN.

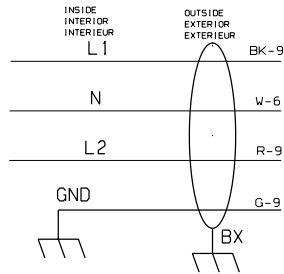
CAUTION: DISCONNECT POWER BEFORE SERVICING UNIT.
ATENCION: DESCONECTE LA ENERGIA ANTES DE REALIZAR EL MANTENIMIENTO DEL ELECTRODOMESTICO.
ATTENTION: COUPER LE COURANT AVANT D'EFFECTUER LA REPARATION

WIRING DIAGRAM

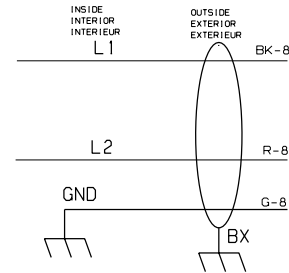
**MODEL WITH REGULAR ELEMENT AND SELECTOR / MODELO Y ELEMENTO Y SELECTOR /
MODELE AVEC ELEMENT REGULIER ET SELECTEUR**



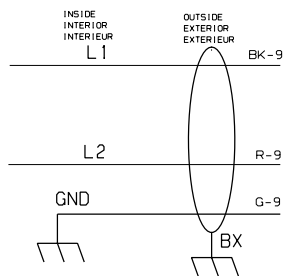
**MODEL WITH WARMER ZONE / MODELO CON ZONA DE CALENTADOR /
MODELE AVEC ZONE RECHAUD**



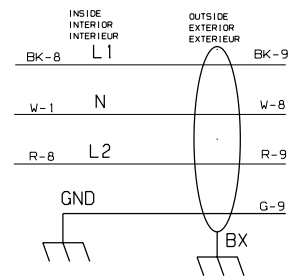
**MODEL WITH 4 REGULAR UNITS / MODELO Y CUATRO ELEMENTOS
REGULARES / MODELE AVEC ELEMENT REGULIER**



MODEL WITH OTHERS / OTROS MODELOS / AUTRE MODELES



**MODEL WITH SIMMER SELECT / LOS MODELOS CON SELECTOR DE HIRVE A
FUEGO LENTO / MODELE AVEC SELECTEUR MIJOTANT**



CAUTION: DISCONNECT POWER BEFORE SERVICING UNIT.
ATENCION: DESCONNECTE LA ENERGIA ANTES DE REALIZAR EL MANTENIMIENTO DEL ELECTRODOMESTICO.
ATTENTION: COUPER LE COURANT AVANT D'EFFECTUER LA REPARATION

318046807 REV. C
P. 2