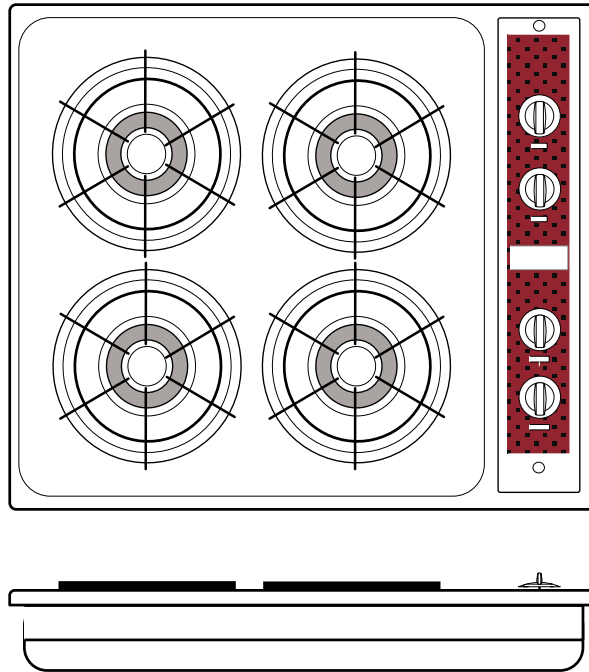


FACTORY PARTS CATALOG RANGE

Frigidaire



PRODUCT NO.	BASE MODEL NO.	FACTORY NO.	COLOR	MARKET
FGC26C3AUA	FGC26C3A	3775411141041	bisque	North America
FGC26C3AWA	FGC26C3A	3775411141011	white	North America

WIRING DIAGRAM - # 318047105
OWNER'S GUIDE - # 318200658
INSTALLATION INSTRUCTIONS - # 318201452

Electrolux

ELECTROLUX HOME PRODUCTS NORTH AMERICA
 P.O. BOX 212378, Augusta, GA 30917

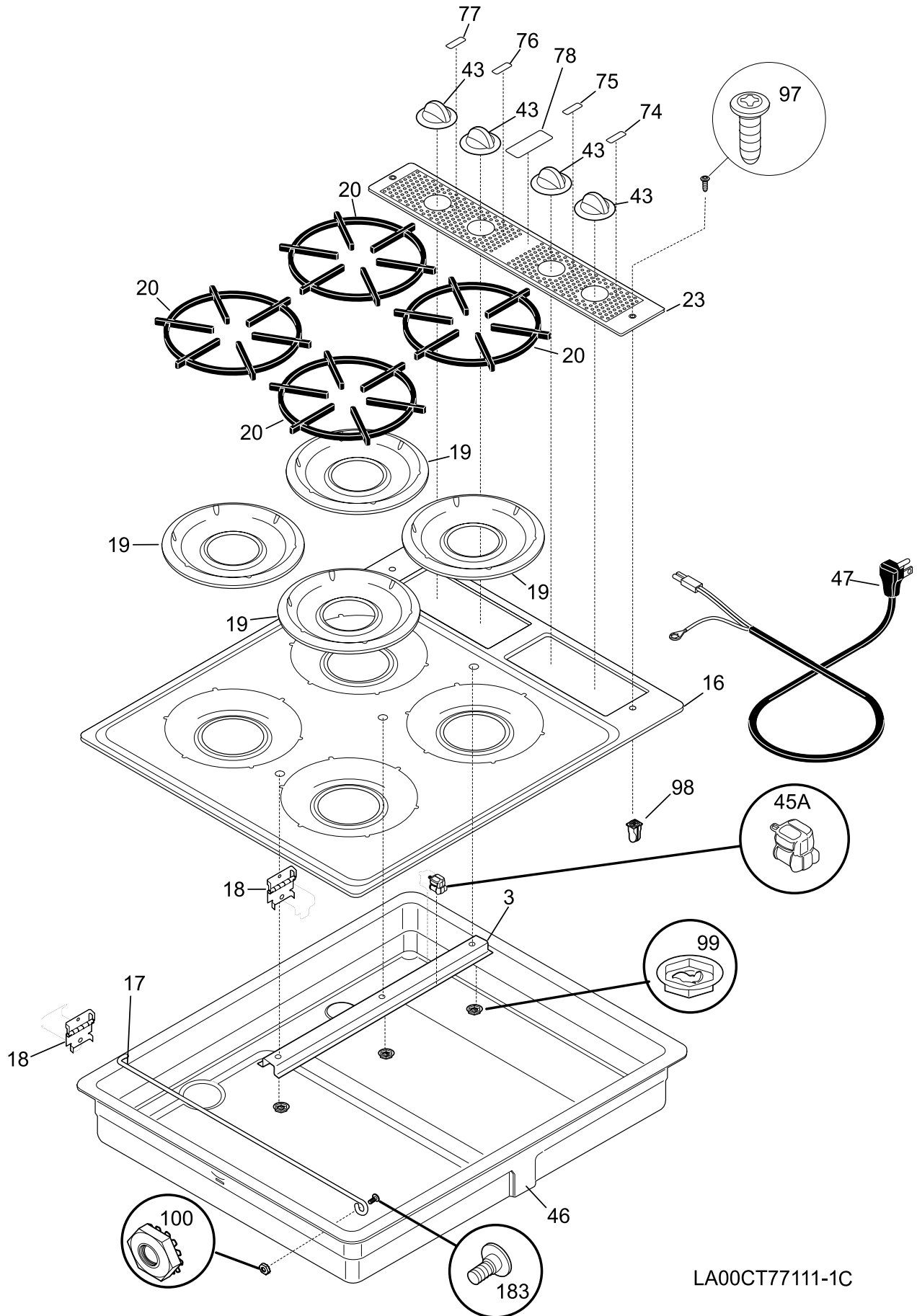
Publication No.
 5995361143
 011115
 -EN/SERVICE /ECL
 377

GAS
COOKTOP

Model No.
FGC26C3A

©2001 White Consolidated Industries, Inc.
 All rights reserved

COOK TOP



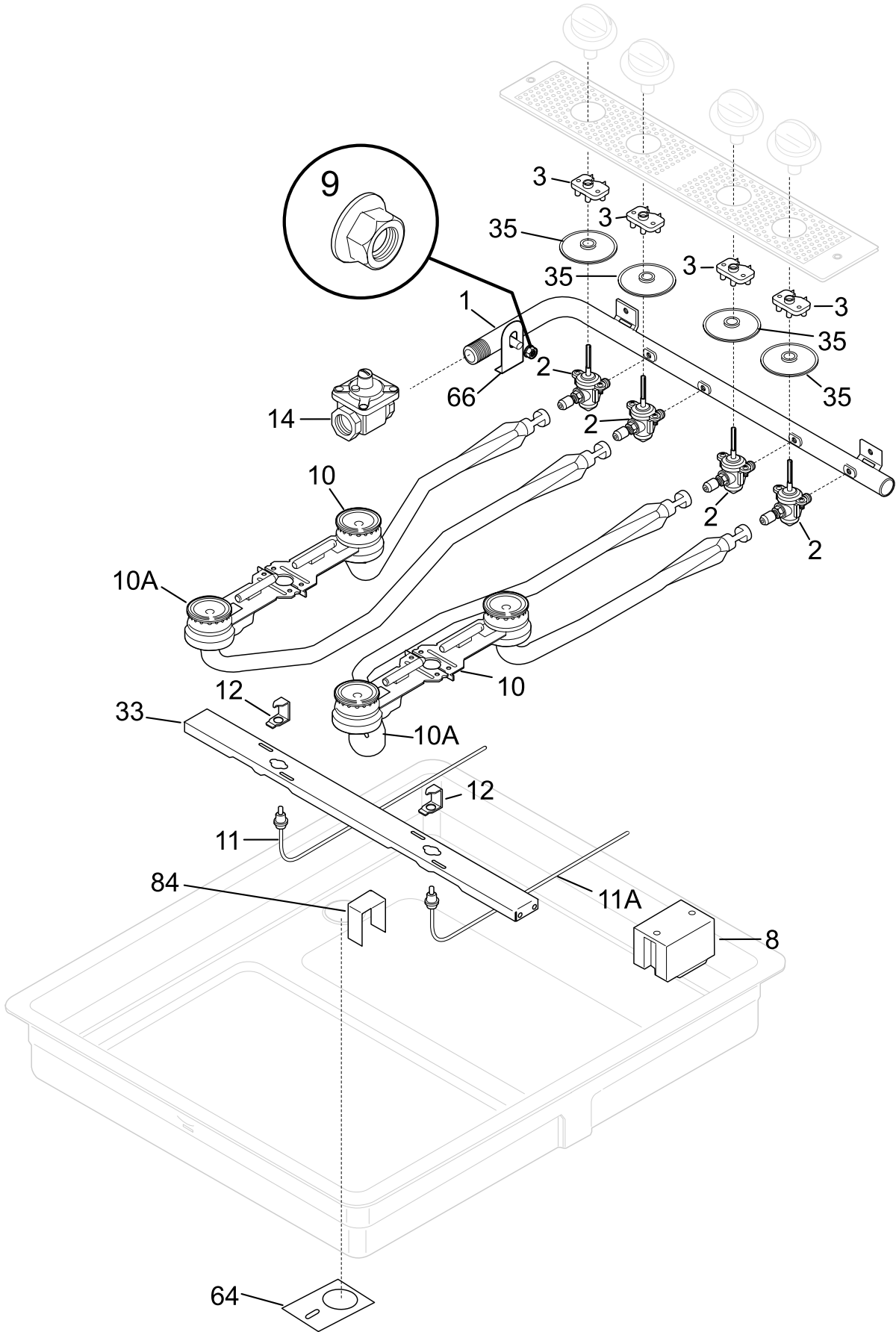
LA00CT77111-1C

COOK TOP

A = FGC26C3A (FGC26C3AWA)
B = FGC26C3A (FGC26C3AUA)

POS. NO	PART NO		DESCRIPTION
3	5303305547	A B	Channel,top stiffener
16	318159105	A -	Panel,main top ,white
16	318159107	- B	Panel,main top ,bisque
17	3016817	A B	Rod,maintop support
18	318074310	A B	Hinge,maintop ,(2)
19	318067300	A B	Pan,burner ,(4)
20	316040807	A B	Grate,black ,(4)
23	318021400	A B	Panel,control
43	318196110	A B	Knob,control ,black
45A	3201437	A B	Strain relief
46	318077303	A B	Burner Box
47 #	5303311311	A B	Cord,electric power
74	318101508	A B	Plate,control ,LF
75	318101509	A B	Plate,control ,RF
76	318101510	A B	Plate,control ,LR
77	318101511	A B	Plate,control ,RR
78	318075802	A B	Nameplate,Frigidaire
97	5303300265	A B	Screw,8-18 x 0.500 ,chrome
98	5303326255	A B	Screw grommet
99	5303324192	A B	Self nut
100	5303325982	A B	Nut,Keps ,10-32
183	5304410665	A B	Screw,10-32 x 5/8
*	5303311532	A B	Screw,6-32 x 1/4" ,back

BURNER



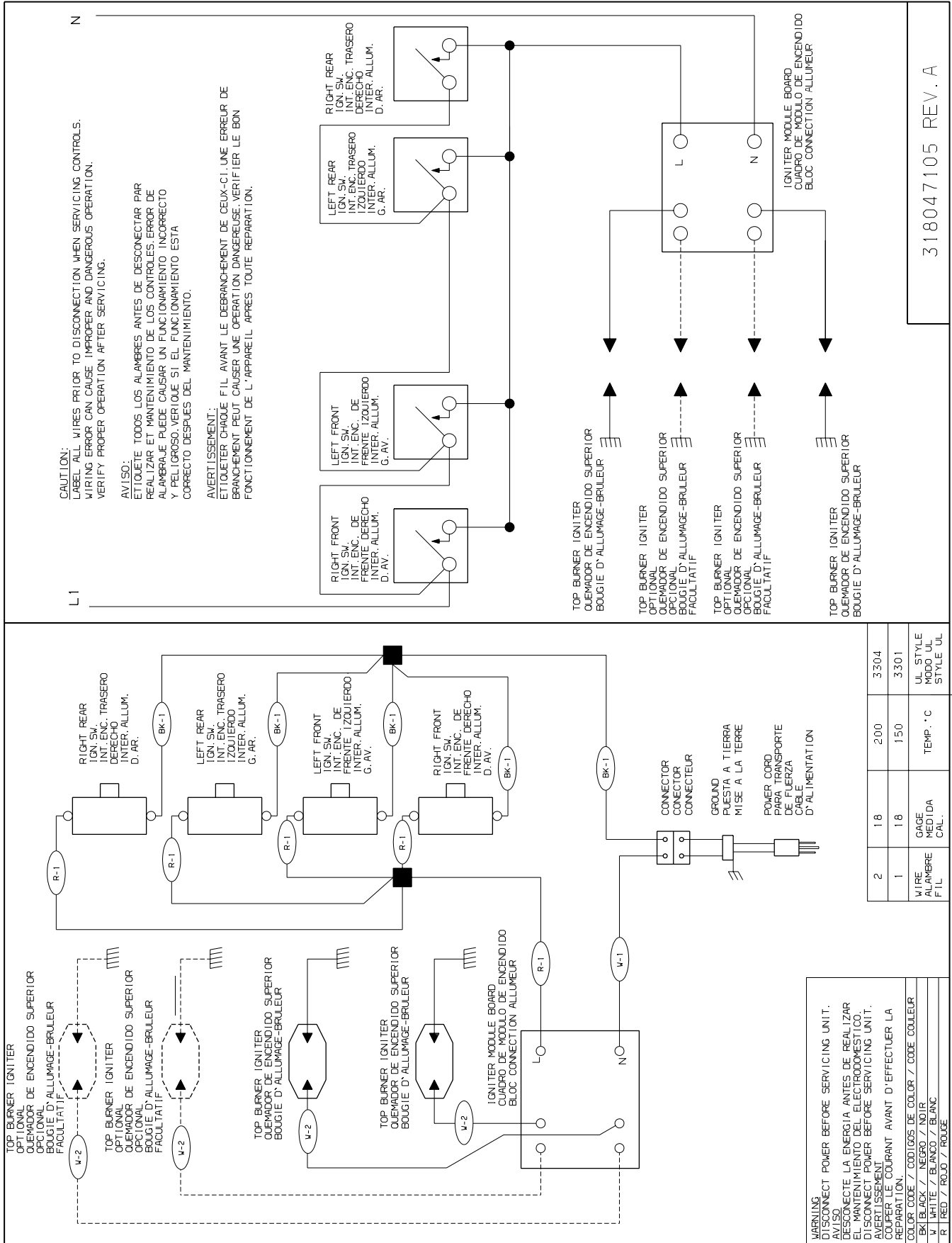
LA00BR77111-1

BURNER

A = FGC26C3A (FGC26C3AWA)
B = FGC26C3A (FGC26C3AUA)

POS. NO	PART NO		DESCRIPTION
1	318177402	A B	Manifold
2 #	318087012	A B	Valve,top burner
2*	5303323141	A B	Screw, valve mtg , 1/4-20 x 5/16
3 #	316032001	A B	Switch,ignitor ,(4)
8 #	316135700	A B	Module,spark
8*	318024201	A B	Bracket,spark module
9	5303311307	A B	Nut,angle ,4-20
10 #	318176300	A B	Burner Assy,front
10A#	318176301	A B	Burner Assy,back
11 #	318148502	A B	Ignitor,top burner
11A#	318148503	A B	Ignitor,top burner
12	3016993	A B	Retainer,ignitor
14 #	5308007974	A B	Regulator,pressure
33	5303294764	A B	Channel,burner support
35	318146300	A B	Bushing
66	5303294765	A B	Angle,manifold pipe ,mtg
84	5303294763	A B	Bracket,support
*	08016432	A B	Screw,truss head ,8-18 x 0.375
*	5303311306	A B	Screw,8-18 x 0.375

WIRING DIAGRAM



318047105 REV. A