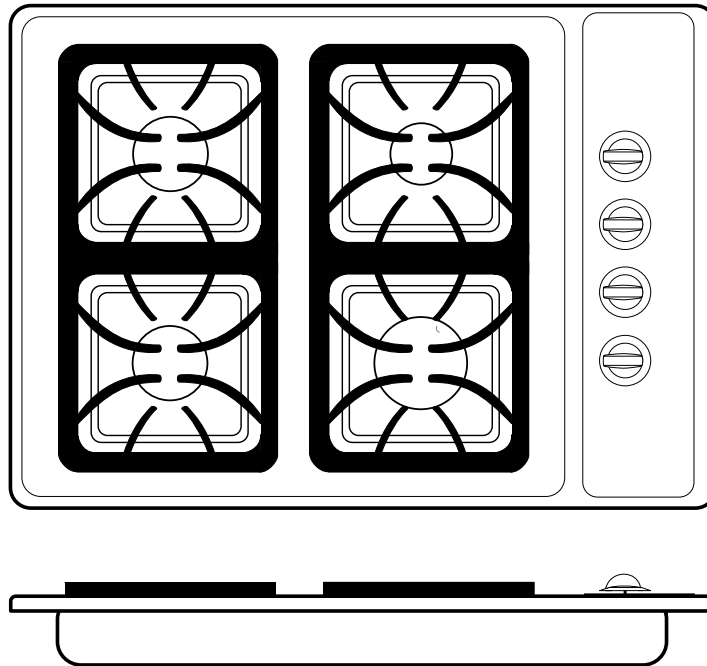


FACTORY PARTS CATALOG RANGE

Frigidaire



PRODUCT NO.	BASE MODEL NO.	FACTORY NO.	COLOR	MARKET
FGC30S4AQA	FGC30S4A	3775421261041	bisque	North America
FGC30S4ASA	FGC30S4A	3775421261011	white	North America

WIRING DIAGRAM - # 318047105
OWNER'S GUIDE - # 318200657
INSTALLATION INSTRUCTIONS - # 318201451

 Electrolux

ELECTROLUX HOME PRODUCTS NORTH AMERICA
 P.O. BOX 212378, Augusta, GA 30917

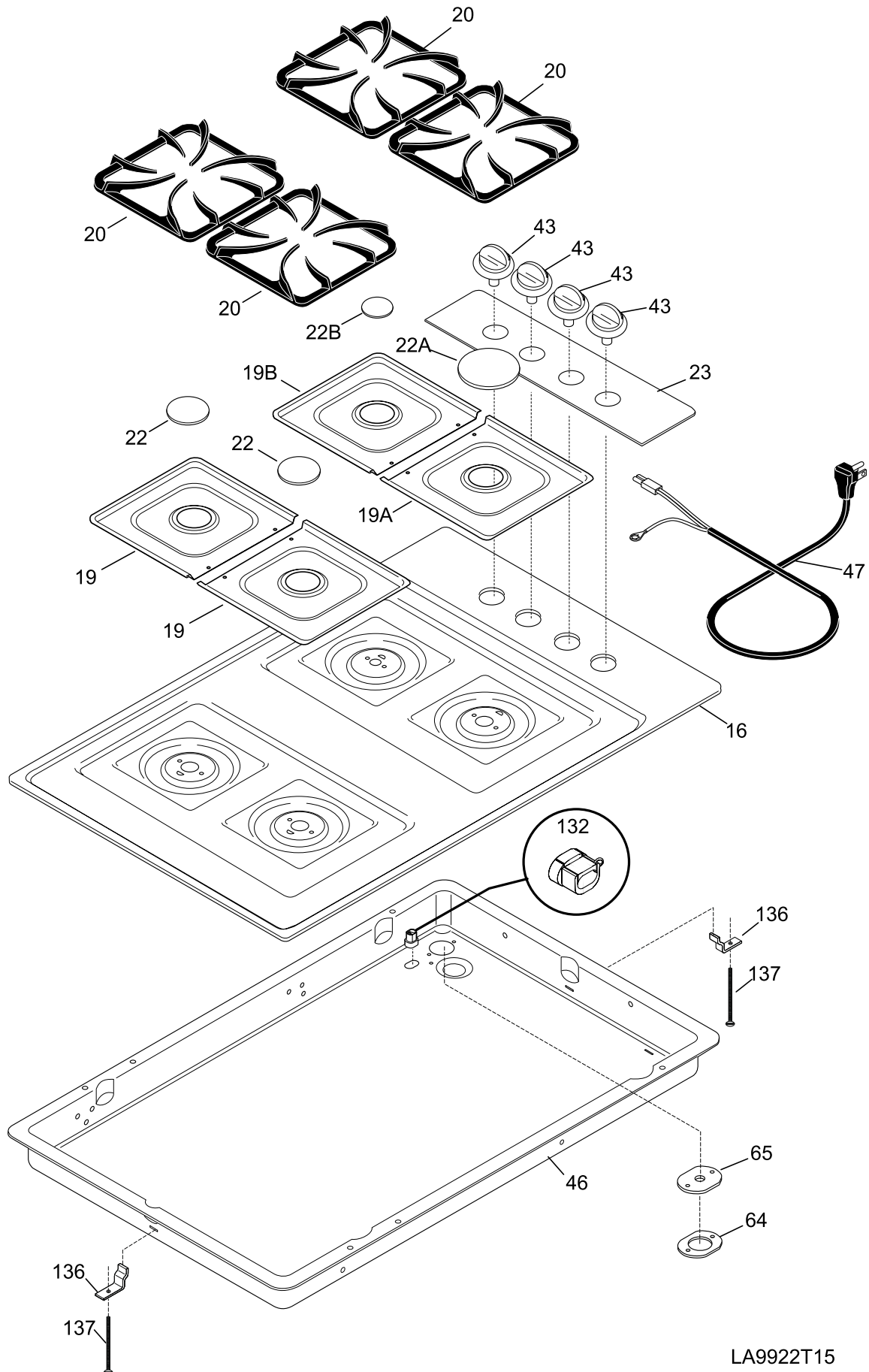
Publication No.
 5995361218
 011120
 -EN/SERVICE /ECL
 377

GAS
COOKTOP

Model No.
FGC30S4A

©2001 White Consolidated Industries, Inc.
 All rights reserved

COOK TOP



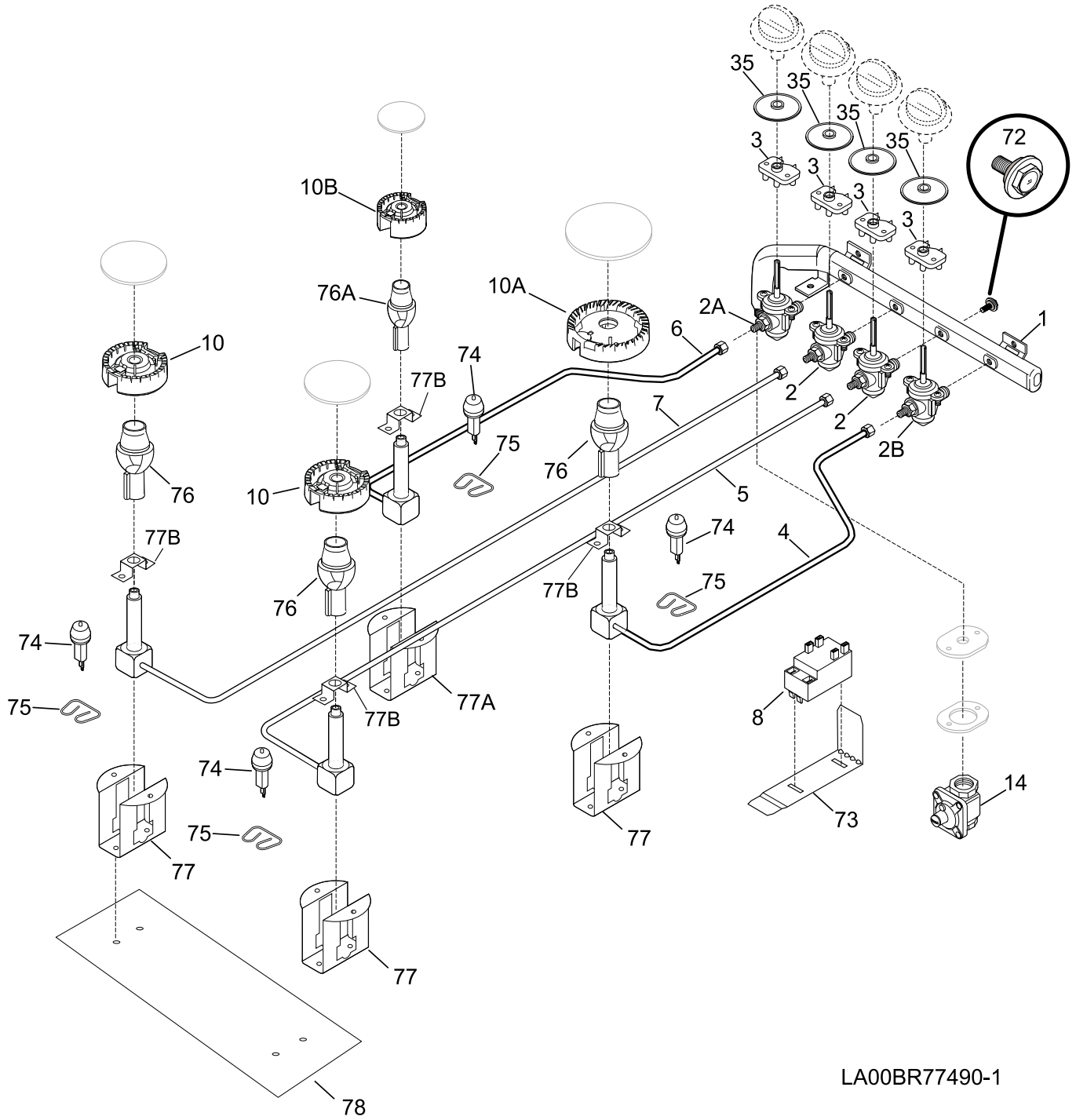
LA9922T15

COOK TOP

A = FGC30S4A (FGC30S4ASA)
B = FGC30S4A (FGC30S4AQA)

POS. NO	PART NO		DESCRIPTION
16	318159142	A -	Panel,main top ,white
16	318159145	- B	Panel,main top ,bisque
19	318167906	A -	Pan,burner ,white ,medium
19	318167909	- B	Pan,burner ,bisque ,medium
19A	318167907	A -	Pan,burner ,white ,large
19A	318167910	- B	Pan,burner ,bisque ,large
19B	318167908	A -	Pan,burner ,white ,small
19B	318167911	- B	Pan,burner ,bisque ,small
20 #	318179511	A -	Grate,grey ,(4)
20 #	318179513	- B	Grate,brown ,(4)
22	318076411	A -	Cap,burner ,grey ,medium LF & LR
22	318076414	- B	Cap,burner ,brown ,medium LF & LR
22A	318076421	A -	Cap,burner ,grey ,large RF
22A	318076424	- B	Cap,burner ,brown ,large RF
22B	318076401	A -	Cap,burner ,grey ,small RR
22B	318076404	- B	Cap,burner ,brown ,small RR
23	318021614	A -	Panel,overlay ,white
23	318021615	- B	Panel,overlay ,bisque
43	318196100	A -	Knob,control ,white
43	318196102	- B	Knob,control ,bisque
46	318156000	A B	Burner Box
47 #	5303303991	A B	Cord,electric power
64	5303304033	A B	Bracket,retainer
65	5303304032	A B	Seal,rubber
132	3201437	A B	Strain relief
136	5303935029	A B	Support
137	5303323138	A B	Screw,10-24x1/2
*	5303323140	A B	Screw,ground , 10-32 x 0.375
*	5303300265	A B	Screw,8-18 x 0.500 ,chrome

BURNER



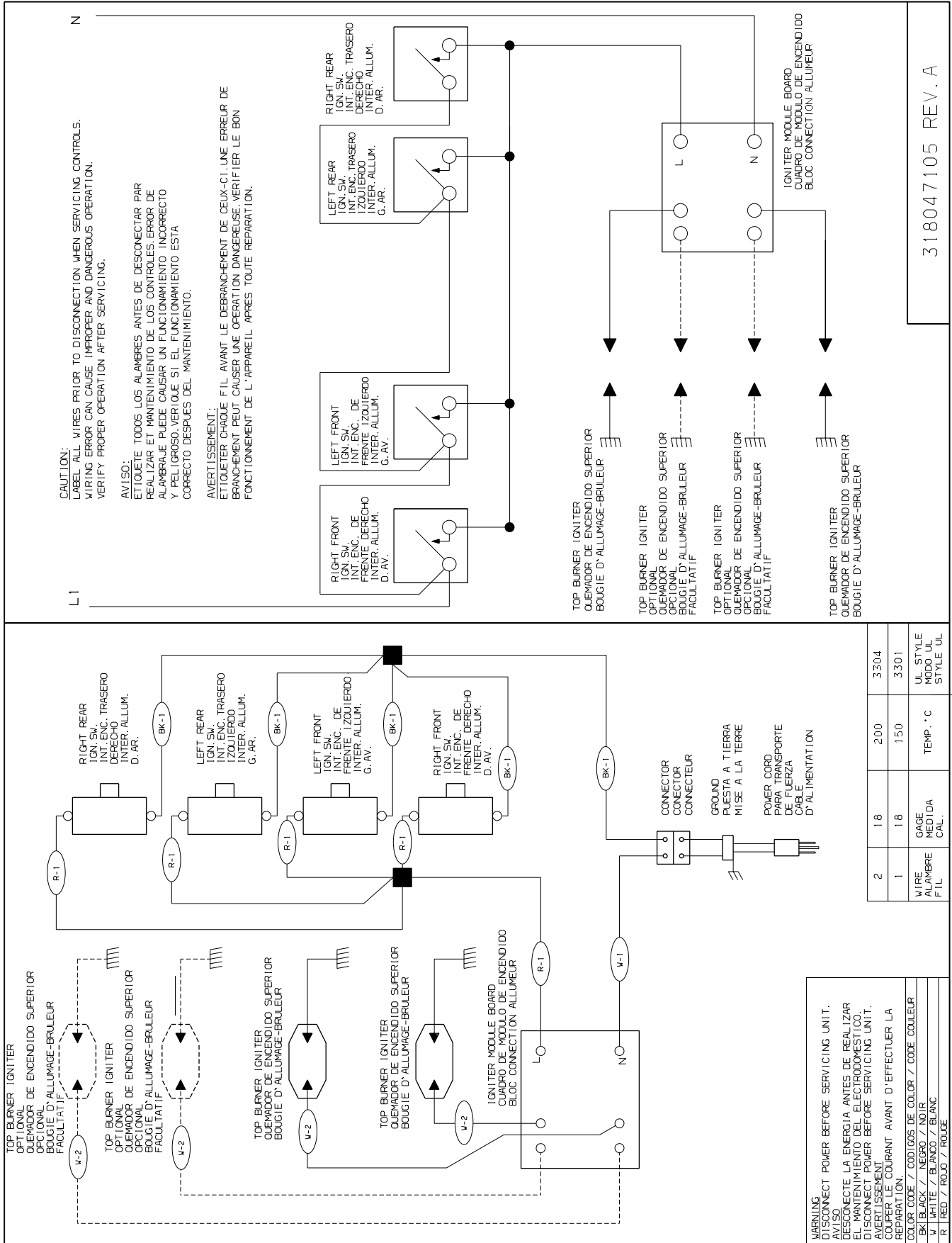
LA00BR77490-1

BURNER

A = FGC30S4A (FGC30S4ASA)
B = FGC30S4A (FGC30S4AQA)

POS. NO	PART NO		DESCRIPTION
1	318177003	A B	Manifold Pipe
2 #	5303935042	A B	Valve,top burner ,2-position ,9100 BTU
2A #	318087001	A B	Valve,top burner ,5000 BTU
2B #	318087040	A B	Valve,top burner ,13000 BTU
3 #	316032002	A B	Switch,ignitor
4 #	318167714	A B	Tube,burner ,RF
5 #	318167700	A B	Tube,burner ,LF
6 #	318167702	A B	Tube,burner ,RR
7 #	318167701	A B	Tube,burner ,LR
8 #	316135701	A B	Module,spark
10 #	318148001	A B	Burner,top ,9100 BTU ,medium LF & LR
10A#	318148002	A B	Burner,top ,13000 BTU ,large RF
10B#	318148000	A B	Burner,top ,5000 BTU ,small RR
14 #	5308007974	A B	Regulator,pressure
35	318146300	A B	Bushing
72	5303323141	A B	Screw,valve mtg ,1/4-20 x 5/16
73	318024201	A B	Bracket,spark module
74 #	318148700	A B	Ignitor,top burner
75	318148800	A B	Clip,electrode
76 #	318167801	A B	Tube,mixing ,medium & large
76A#	318167800	A B	Tube,mixing ,small
77	318112010	A B	Bracket,burner mtg ,medium & large
77A	318112000	A B	Bracket,burner mtg ,small
77B	318180900	A B	Bracket,burner tube
78	318160900	A B	Deflector
* #	318127407	A B	LP Conversion Kit
*	08011955	A B	Screw,10-24 x 0.375 ,square drive
*	5303307980	A B	Screw,8-32 x 0.437
*	5304403558	A B	Screw,10-16 x 0.250

WIRING DIAGRAM



318047105 REV. A