

GAS COOKTOP INSTALLATION INSTRUCTIONS



**INSTALLATION AND SERVICE MUST BE PERFORMED BY
A QUALIFIED INSTALLER.**
IMPORTANT: SAVE FOR LOCAL ELECTRICAL INSPECTOR'S USE.
READ AND SAVE THESE INSTRUCTIONS FOR FUTURE REFERENCE.

⚠ WARNING If the information in this manual is not followed exactly, a fire or explosion may result causing property damage, personal injury or death.

FOR YOUR SAFETY:

- Do not store or use gasoline or other flammable vapors and liquids in the vicinity of this or any other appliance.
- **WHAT TO DO IF YOU SMELL GAS:**
 - Do not try to light any appliance.
 - Do not touch any electrical switch; do not use any phone in your building.
 - Immediately call your gas supplier from a neighbor's phone. Follow the gas supplier's instructions.
 - If you cannot reach your gas supplier, call the fire department.
- Installation and service must be performed by a qualified installer, service agency or the gas supplier.

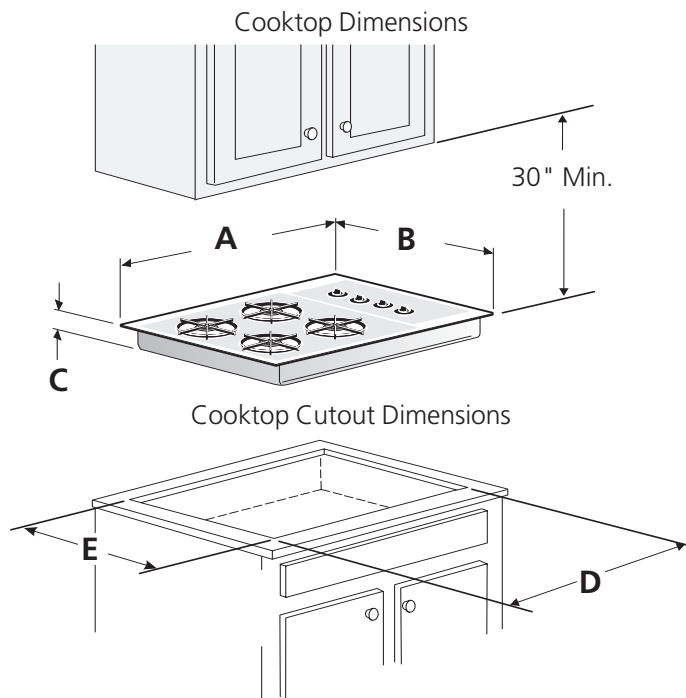
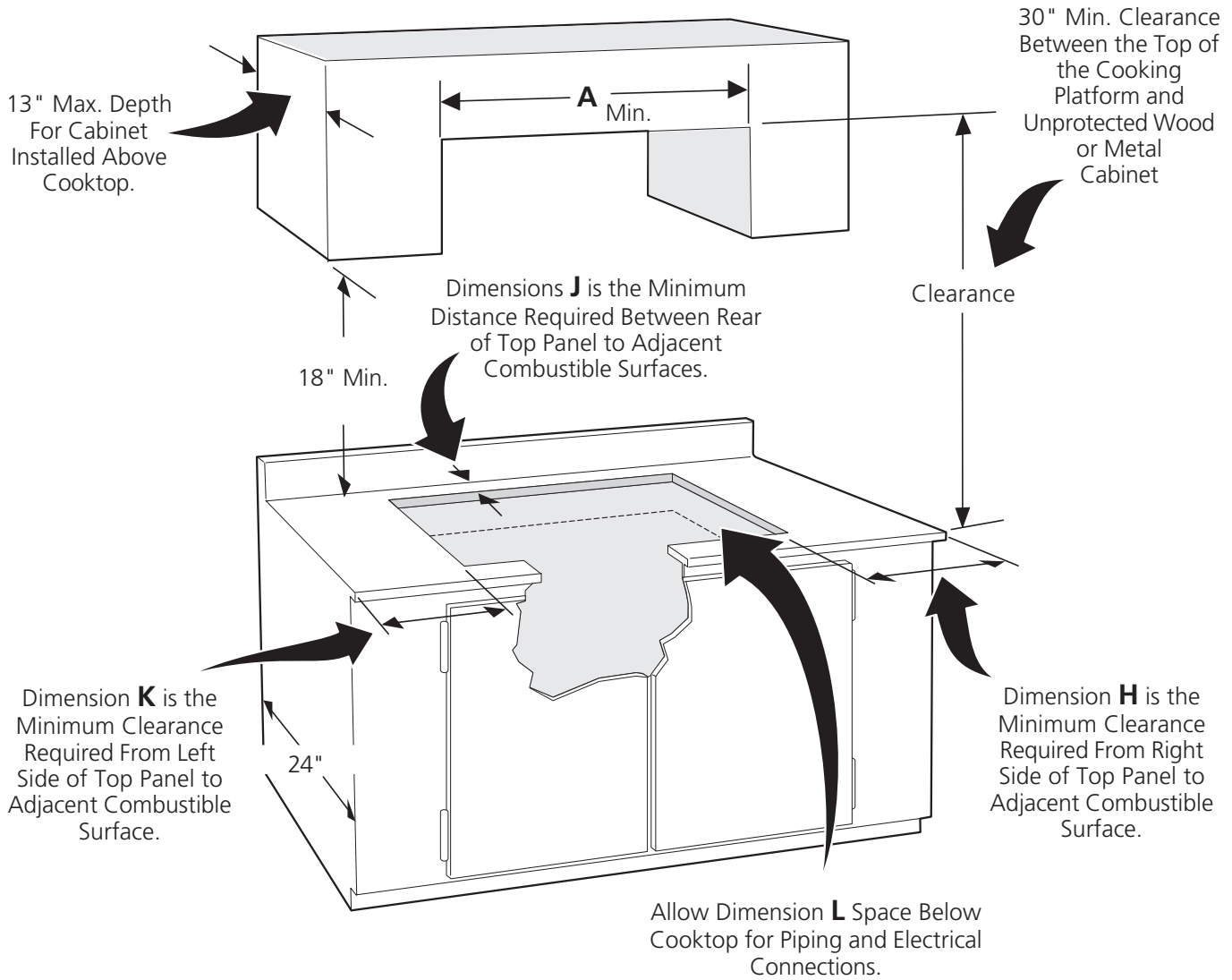


Figure 1

MODEL	A. LENGTH	B. WIDTH	C. DEPTH	CUTOUT DIMENSIONS			
				D. LENGTH		E. WIDTH	
				MIN.	MAX.	MIN.	MAX.
26" Model	25 ¾"	21 9/16"	3 ½"	25"	25"	20 ½"	20 ½"
30" Model	30"	21 ½"	3 ⅛"	26 5/8"	26 7/8"	19"	19 3/8"
36" Model	36"	18 5/8"	3 ¼"	34 ¼"	34 3/8"	16 5/8"	16 ¾"

NOTE: Wiring diagrams for these appliances are enclosed in this booklet.

GAS COOKTOP INSTALLATION INSTRUCTIONS



CAUTION To eliminate the risk of burns or fire by reaching over heated surfaces, cabinet storage space located above the cooktop should be avoided. If cabinet storage is provided, risk can be reduced by installing a range hood that projects horizontally a minimum of 5" beyond the bottom of the cabinets.

Note: (For 26" and 36" Models Only). The rear edge of opening must be 1 1/2" from rear face of base cabinet. If countertops are ordered from a supplier other than cabinet supplier, the relation of the cutout in relation to the rear of the cabinet shall be specified.

MODEL	H	J	K	L
26" Models	1"	1/2"	1"	8 1/2"
30" Models	0"	0"	2"	8 1/8"
36" Models	1"	2 1/2"	1"	8 1/4"

Figure 2 – COUNTERTOP CUTOUT OPENING

GAS COOKTOP INSTALLATION INSTRUCTIONS

Important Notes to the Installer

1. Read all instructions contained in these installation instructions before installing the cooktop.
2. Remove all packing material before connecting the electrical supply to the cooktop.
3. Observe all governing codes and ordinances.
4. Be sure to leave these instructions with the consumer.

Important Note to the Consumer

Keep these instructions with your Use and Care Guide for future reference.

IMPORTANT SAFETY INSTRUCTIONS

Installation of these cooktops must conform with local codes or, in the absence of local codes, with the National Fuel Gas Code ANSI Z223.1—latest edition.

These cooktops has been design certified by American Gas Association (A.G.A.). As with any appliance using gas and generating heat, there are certain safety precautions you should follow. You will find them in the Use and Care Guide, read it carefully.

- **Be sure your cooktop is installed and grounded properly by a qualified installer or service technician.**
- **These cooktops must be electrically grounded in accordance with local codes or, in their absence, with the National Electrical Code ANSI/NFPA No. 70—latest edition. See grounding instructions farther in this manual.**
- **The installation of appliances designed for manufactured (mobile) home installation must conform with Manufactured Home Construction and Safety Standard Title 24CFR, Part 3280 [Formerly the Federal Standard for Mobile Home Construction and Safety, Title 24, HUD, (Part 280)] or when such standard is not applicable the Standard for Manufactured Home Installation 1982 (Manufactured Home Sites, Communities and Set-Ups), ANSI Z225.1/NFPA 501-A- latest edition, or with local codes.**
- **Do not store items of interest to children in the cabinets above the cooktop.** Children could be seriously burned climbing on the cooktop to reach items.
- **To eliminate the need to reach over the surface burners, cabinet storage space above the burners should be avoided.**
- **Adjust surface burner flame size so it does not extend beyond the edge of the cooking utensil.** Excessive flame is hazardous.

- **Never use your cooktop for warming or heating the room.** Prolonged use of the cooktop without adequate ventilation can be hazardous.
- **Do not store or use gasoline or other flammable vapors and liquids near this or any other appliance.** Explosions or fires could result.

⚠ WARNING The electrical power to the cooktop must be shut off while line connections are being made. Failure to do so could result in serious injury or death.

Safety Tips - Gas Surface Units

Your new cooktop has been tested to meet the most rigid safety standards. You can feel confident while using it but use these safety suggestions to help avoid accidents that can cause injury to the user or damage to the cooktop.

Note: All safety tips listed may not apply to your model.

- Plug the unit into a 120-volt grounded outlet only. Do not remove the grounding prong from the plug. If in doubt about the grounding of the home electrical system, it is the personal responsibility and obligation of the owner to contact a qualified electrician and have an ungrounded receptacle replaced by a properly grounded three-prong wall receptacle, in accordance with the National Electrical Code. Do not use an extension cord with this unit.
- Do not repair or replace any part of the unit unless specifically recommended in this guide. Call a qualified technician for all other servicing.
- Clean only the parts of the cooktop as instructed in the Use and Care Guide.
- Be certain all packing materials are removed from the unit before operating to prevent fire or smoke damage, should the packing material ignite.

Ventilating Hoods

- Clean ventilating hood frequently. Grease should not be allowed to accumulate on hood or filter.
- When flaming foods under the hood turn the fan off. The fan, if operating, may spread the flame.

GAS COOKTOP INSTALLATION INSTRUCTIONS

Safety on the Cooktop

- Do not allow dry empty pans to cook on the cooktop as this could ruin the pan and cause a fire hazard.
- Do not use a wok on the cooking surface if it is equipped with a round metal support placed over the burner grate. This support acts as a heat trap which may damage the burner grate, spillover bows and burner head. It may also cause the burner to work improperly and create a carbon monoxide level above current standards resulting in a over adjacent burners.
- When lowering the cooktop be careful not to pinch your fingers. Grasp sides of the top with fingertips and lower into position.

Important: Please Read Before Continuing

These appliances and its individual shutoff valve must be disconnected from the gas supply piping system during any pressure testing of that system exceeding ½ psig.

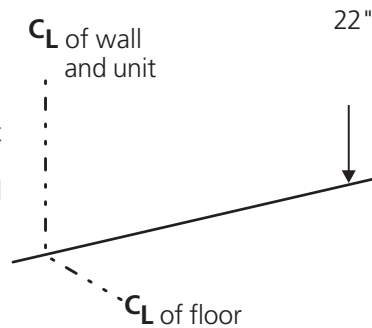
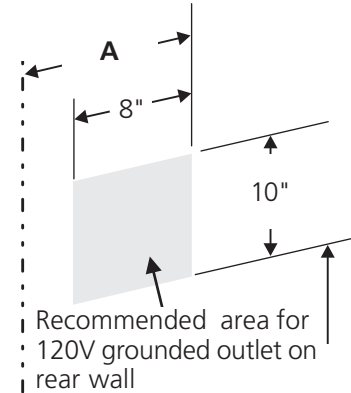
These appliances must be isolated from the gas supply piping system by closing its individual manual shutoff valve during any pressure testing of the gas supply piping system equal to or less than ½ psig.

To avoid pilot outage (if applicable) close all openings in the cabinet cavity that enclose this unit. Any opening around gas service outlets must also be closed at the time of installation.

⚠ WARNING These cooktops are not approved for use with downdraft systems.

⚠ WARNING Disconnect the electrical supply before servicing cooktops.

1. Wall Outlet Location (some models)



NOTE: If an outlet is not available, have one installed by a qualified technician.

	26" Models	30" Models	36" Models
Dimension A	12 ½"	12"	17 1/8"

Figure 3

GAS COOKTOP INSTALLATION INSTRUCTIONS

2. Secure the Unit

A. 26" and 36" Cooktops

The unit must be secure in place. Remove the burner grates and burner pans. The top may then be raised after removing the knobs and by lifting along the front edge of the top. Holes are provided in the front and rear of the burner box to secure the unit to the cabinet (see figure 4).

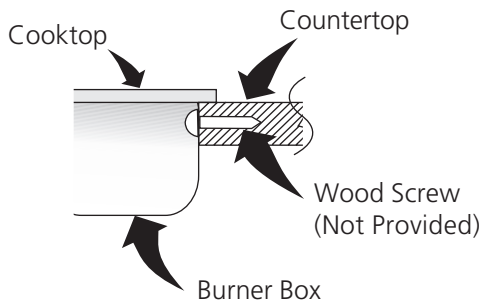


Figure 4

B. 30" Cooktops

Unit Clam Down Information

Once the cooktop is installed in the counter opening, you must clamp the unit down as shown. To clamp down, insert the bracket with the offset side of the angle into the slots on each side of the unit. The thumb screw should then be run through the bracket, up against the bottom of the counter. Tighten until the unit draws down (figure 5).

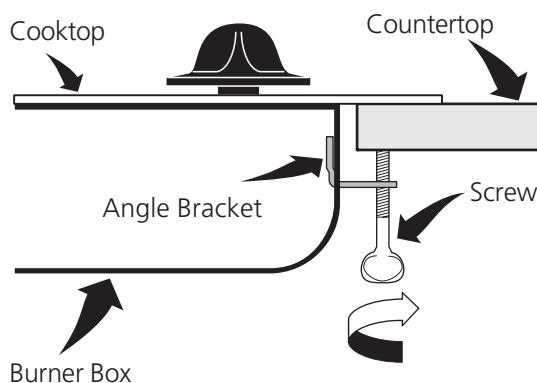


Figure 5

3. Provide an Adequate Gas Supply

The cooktops covered in these instructions are designed to operate on natural gas at 4" of manifold pressure or on LP gas at 10" of manifold pressure.

A convertible pressure regulator is supplied with each surface unit and **MUST BE CONNECTED IN SERIES** between the supply line and the valve manifold regardless of which type of gas is being used.

The convertible regulator for the surface units must be located and turned in such manner to allow for easy access to the convertible feature.

For proper operation, the maximum inlet pressure to the regulator must not exceed 14" of water column (W.C.) pressure for both LP and Natural Gas.

For checking the regulator, the inlet pressure must be at least 1" (or 2.5 kPa) greater than the regulator manifold pressure setting. If the regulator is set for 4" of manifold pressure, the inlet pressure must be at least 5". If the regulator is set for 10", the inlet pressure must be at least 11".

A manual shut-off valve must be installed on the gas supply line, external to the unit and where it can be easily reached for the purpose of turning the gas to the unit on and off.

The gas supply line to the cooktops should be 1/2" or 3/4" pipe.

Seal all openings in the wall behind the cooktop and in the floor under the cooktop after gas supply line is installed.

GAS COOKTOP INSTALLATION INSTRUCTIONS

4. Connection to gas

A. 26" Cooktop (see figure 6)

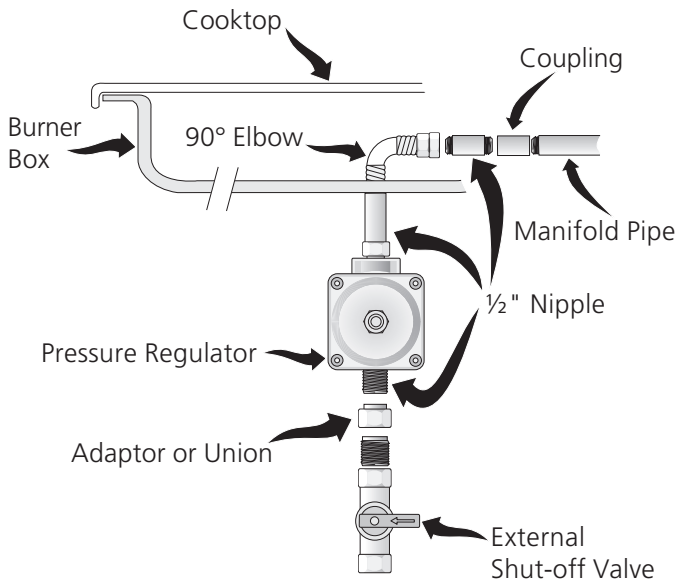


Figure 6

B. 30" and 36" Cooktops (see figure 7)

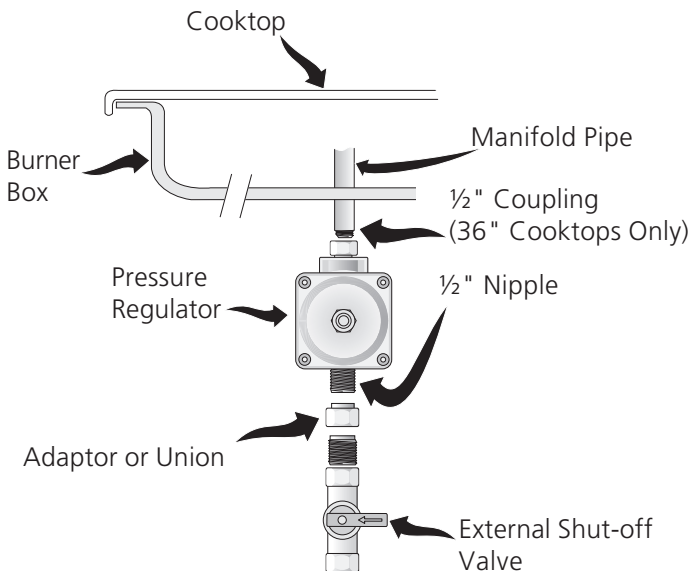


Figure 7

Hookup the cooktop to the gas supply line.

Install the pressure regulator with the arrow pointing toward cooktop and where you can reach the access cap. Be sure you know how and where to shut off the gas supply to the cooktop.

Leak testing of the appliance shall be conducted according to the manufacturer's instructions.

Check for leaks. After connecting cooktop gas, check system for leaks with a manometer. If a manometer is not available shut all pilots off, turn the gas supply on the unit and use a liquid leak detector at all joints and connections to check for leaks.

Tighten all connections if necessary to prevent gas leakage in the cooktop or supply line.

Check alignment of valves after connecting the cooktop to the gas supply to be sure the manifold pipe has not been moved. A misalignment could cause the valve knob stem to rub on the control panel, resulting in a gas leak at the valve.

IMPORTANT: A pipe joint sealant resistant to the action of LP Gas must be used on all pipe connections.

IMPORTANT: Remove all packing material and literature from cooktop before connecting gas and electrical supply to the appliance.

CAUTION Do not use flame to check for leaks from gas connections. Checking for leaks with a flame may result in a fire or explosion.

Disconnect the cooktop and its individual shutoff valve from the gas supply piping system during any pressure test greater than 1/2 psig.

Isolate the cooktop from the gas supply piping system by closing its individual manual shutoff valve during any pressure testing of the gas supply piping system at test pressures equal to or less than 1/2 psig.

GAS COOKTOP INSTALLATION INSTRUCTIONS

5. LP/Propane Gas Conversion

A. Pressure Regulator Conversion

IMPORTANT: Except for Puerto Rico 30" model PGP332L all cooktops are shipped from the factory set for use with Natural Gas.

- Note:**
- Do not remove the Pressure Regulator.
 - If in doubt about the pressure at the manifold, use a manometer. The inlet pressure on the regulator must be at least 1" W.C. higher than the outlet pressure. Inlet pressure on the regulator must never exceed 14" W.C.

1. Convert the Pressure Regulator from Natural Gas to LP Gas (see figure 8)

- Remove the cap from the pressure regulator.
- Remove the plunger.
- Turn the plunger upside down with the enlarge end **DOWN**.
- Replace the plunger inside the regulator. The letters LP or 10" W.C. should be visible on the exposed end of the plunger.
- Replace the cap on the pressure regulator.

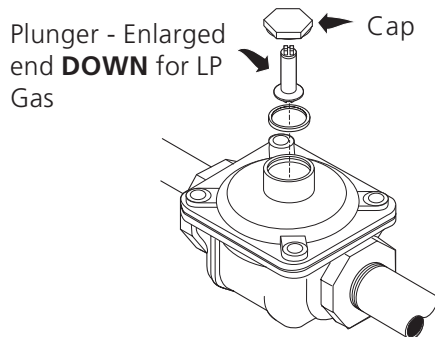


Figure 8
LP Gas

2. Convert the Pressure Regulator from LP Gas to NATURAL Gas (see figure 9)

- Remove the cap from the pressure regulator.
- Remove the plunger.
- Turn the plunger upside down with the enlarge end **UP**.
- Replace the plunger inside the regulator. The letters NAT or 4" W.C. should be visible on the exposed end of the plunger.
- Replace the cap on the pressure regulator.

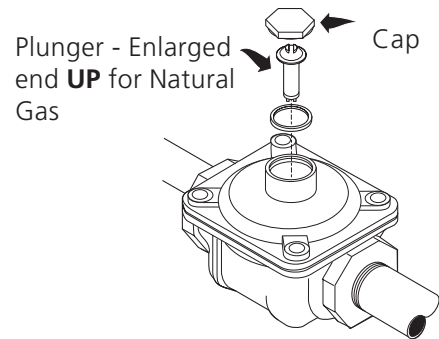


Figure 9
Natural Gas

B. Burner Valves Conversion (see figure 10 and 11)

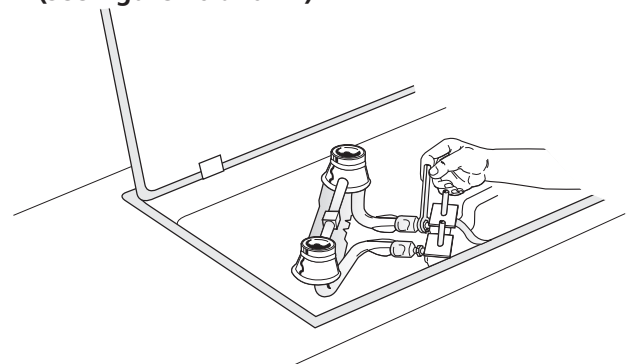


Figure 10

- Remove valve knobs, top grates, burner pans and lift cooktop to gain access to valves. Locate valve hoods (orifices) on back side of valves.
- To convert burner valves from Natural Gas to LP Gas**, turn valve hoods (orifices) down until snug against the mixer pin (approximately 2 ½ turns). **Do not overtighten.**
 - To convert burner valves from LP Gas to Natural Gas**, turn valve hoods (orifices) up until it is away from the mixer pin (approximately 2 ½ turns).
- Apply gas to the burner and adjust pilots and air shutter on burner venturi tube to proper flame (refer to pictures in "Burner Flame Adjustment" section for comparison).

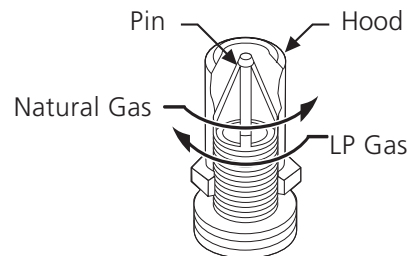


Figure 11

GAS COOKTOP INSTALLATION INSTRUCTIONS

6. Adjustments

A. Top Pilots Adjustment (Some models)

1. Remove valve knobs, top grates and burner pans.
2. Lift top and prop up with support rod located in the burner box.
3. Follow pilot tubes to their source on manifold pipe and locate filter/pilot adjusting assembly.
4. Light two top pilots with match as shown in figure 12.

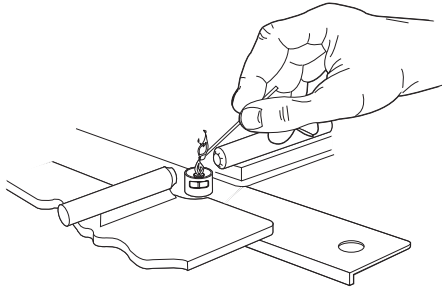


Figure 12

5. Adjust pilot flame between $\frac{1}{8}$ " and $\frac{1}{4}$ " (see figure 13) so that a slight tinge of yellow appears at the top.

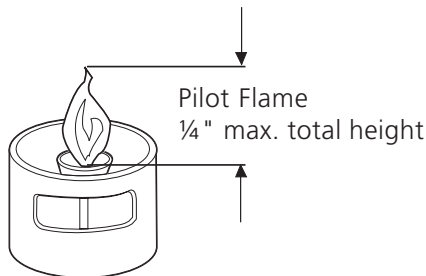


Figure 13

B. Burner Air Shutter Adjustment

The air shutter adjustment for each of the four burners is located at the open end of the venturi tube and sets on the valve hood. Depending on the model, the shutter is either held in place by friction fit or with Phillips head screw.

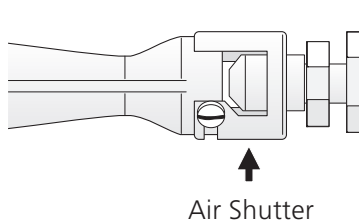


Figure 14

If the air shutter needs adjusting, rotate the shutter to allow more or less air to the burner tubes as needed.

For Natural Gas it may be necessary to rotate the air shutter to some point less than half open for normal flame; for LP Gas it may be necessary to rotate the air shutter to a nearly full open setting for a normal flame.

C. Burner Flame Adjustment

1. Proper Air Adjustment (figure 15)

If the air shutter is properly adjusted, flame will be steady, relatively quiet, and will have approximately $\frac{1}{2}$ " sharp blue cones. With LP gas, this usually occurs when shutters are halfway open.

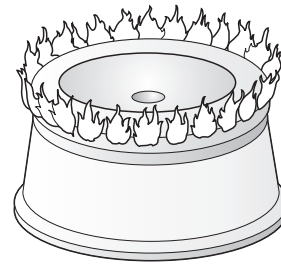


Figure 15

2. Too Much Air (figure 16)

If the air shutter is adjusted so that too much air flows into the burner, the flame will appear unsteady, will possibly not burn all the way around, and will be noisy (like a blowtorch).

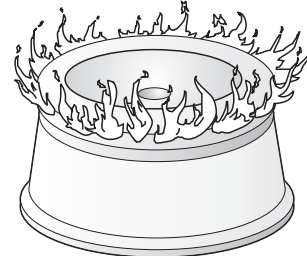


Figure 16

3. Not Enough Air (figure 17)

If the air to the burner is insufficient, you will not see any sharp blue cones in flame. The flame may burn with yellow tips, and soot will accumulate on utensils used on the burner.

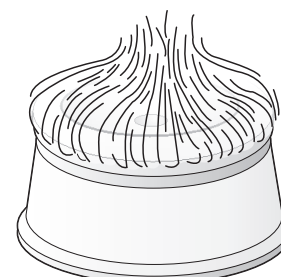


Figure 17

GAS COOKTOP INSTALLATION INSTRUCTIONS

7. Connect Electricity to Gas Cooktop

Electrical Requirements

120 volt, 60 Hertz, properly grounded branch circuit protected by a 15 amp circuit breaker or time delay fuse.

Do not use an extension cord with these cooktops.

IMPORTANT Please read carefully.

For personal safety, these appliances must be properly grounded.

The power cord of these appliances is equipped with a 3-prong (grounding) plug which mates with a standard 3-prong grounding wall receptacle (see Figure 18) to minimize the possibility of electric shock hazard from this appliance.

The wall receptacle and circuit should be checked by a qualified electrician to make sure the receptacle is properly grounded.

Preferred Method

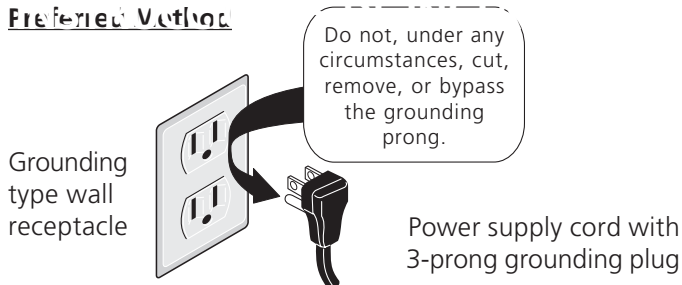


Figure 18

Where a standard 2-prong wall receptacle is installed, it is the personal responsibility and obligation of the consumer to have it replaced by a properly grounded 3-prong wall receptacle.

Do not, under any circumstances, cut or remove the third (ground) prong from the power cord.

If an external electrical source is used, the appliance, when installed, must be electrically grounded in accordance with local codes or in their absence of local codes with the National Electric Code ANSI/NFPA No. 70-1987 or latest edition.

Check all code rules and regulations for connecting the cooktop to be certain the installation conforms with all local, municipal and state codes as well as local utility regulations.

Failure to comply with the above could result in a **serious shock hazard.**

Note: All hookups and adjustment shall be performed by qualified technicians.

Situations where appliance power cord will be disconnected frequently. Do not use an adaptor plug in these situations because disconnecting of the power cord places undue strain on the adaptor and leads to eventual failure of the adaptor terminal. The customer should have 2-prong wall receptacle replaced by a 3-prong (grounding) receptacle by a qualified electrician before using the appliance.

CAUTION Disconnect electrical supply cord from wall receptacle before servicing cooktop.

8. Check Operation

Refer to the Use and Care Guide packaged with the cooktop for operating instructions and for care and cleaning of your cooktop.

Do not touch the burners. They may be hot enough to cause burns.

1. Check the Igniters (some models)

Operation of electric igniters should be checked after cooktop and supply line connectors have been carefully checked for leaks and the cooktop has been connected to electric power.

To check for proper lighting, push in and turn a burner valve to the LITE position. The burner valve should light when gas is available to burner. Once the burner lights, it should be turned out of the LITE position. Try each valve separately until all burners have been checked out.

The burners can be lit manually during an electrical power outage. To light a burner, hold a lit match to the burner head, then slowly turn the Surface Control knob to LITE. Use caution when lighting burners manually.

Surface burner in use when an electrical power failure occurs will continue to operate normally.

The surface burners on models equipped with pilots can operate during an electrical power outage.

GAS COOKTOP INSTALLATION INSTRUCTIONS

2. Adjust the "LO" or "SIMMER" Setting of Surface Burner Valves (30" Cooktops Only) (see Figure 19)

Push in and turn each control knob to the "LO" (or "SIMMER") setting. The "LO" setting of each burner has been set at the factory to the lowest setting available to provide reliable reignition of the burner. If it does not stay lit on the "LO" setting, check the setting as follows.

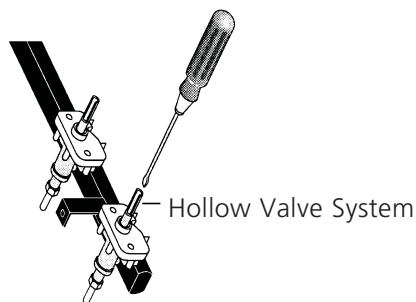


Figure 19

- A. Allow cooktop to cool to room temperature.
- B. Light all burners by turning each control knob to LITE until burners ignite, and then set them at "HI".
- C. Quickly turn the knob to the LOWEST POSITION.
- D. If burner goes out, readjust valve as follows:
Remove the surface burner control knob, insert a thin-bladed screw driver into the hollow valve stem and engage the slotted screw inside. Flame size can be increased or decreased with the turn of the screw. Adjust flame until you can quickly turn knob from HI to LOWEST POSITION without extinguishing the flame. Flame should be as small as possible and stable without going out.
- E. If you need to adjust another burner, repeat the steps from A to D above until all burners operate properly.

When All Hookups are Complete

Make sure all controls are left in the OFF position.

Make sure the flow of combustion and ventilation air to the cooktop is unobstructed.

Model and Serial Number Location

The serial plate is located into the burner box near the burner support or under the burner box.

When ordering parts for or making inquires about your range, always be sure to include the model and serial numbers and a lot number or letter from the serial plate of your cooktop.

Your serial plate also tells you the rating of the burners, the type of fuel and the pressure the cooktop was adjusted for when it left the factory.

⚠ WARNING Improper installation adjustment, alteration, service or maintenance can cause injury or property damage. Refer to this manual. For assistance or additional information consult a qualified installer, service agency, manufacturer (dealer) or the gas supplier.

⚠ WARNING Stepping, leaning or sitting on these cooktops can result in serious injuries and also cause damage to the cooktop. Be sure to keep appliance clear of combustible materials, gasoline and other flammable vapors and liquids.

Before You Call for Service

Read the Avoid Service Checklist and operating instructions in your [Use and Care Guide](#).

Check to make sure the house fuse or circuit breaker for your cooktop are not blown or open.

Attention Home Owners

Should a replacement part be needed proceed as follows:

IMPORTANT:

1. Copy the complete model, lot and serial number from the serial number plate.
2. Describe the part you need
3. Send your request for the part to your local dealer or obtain the address of the closest parts outlet from that dealer
4. With your request, include:
 - A. Description of part.
 - B. Complete model, lot and serial number.
 - C. Date unit was purchased.
 - D. Date the part failed.

Care, Cleaning and Maintenance for Cooktops

If removing the cooktop is necessary for cleaning or maintenance, shut off gas supply. Disconnect the gas and electric supply. Remove the installation screws which secure the unit to the cabinet at the front and rear or the mounting brackets on the right and left side of the burner box. After disconnecting the gas and electric supply, remove the unit for servicing and cleaning. Reinstall in reverse order and check gas connection for leaks.

INSTRUCCIONES DE INSTALACION PARA PLANCHA DE COCINAR A GAS



LA INSTALACIÓN Y EL SERVICIO DEBEN SER REALIZADOS POR UN INSTALADOR CALIFICADO.

IMPORTANTE: GUARDE ESTAS INSTRUCCIONES PARA USO DEL INSPECTOR ELÉCTRICO LOCAL.

LEA Y GUARDE ESTAS INSTRUCCIONES PARA FUTURAS REFERENCIAS

⚠ ADVERTENCIA Si todas las instrucciones de éste manual no son observadas a la letra, se puede ocurrir incendios o explosiones que pueden causar daños materiales, lesiones o la muerte.

PARA SU SEGURIDAD:

- No almacene o utilice gasolina u otros vapores y líquidos inflamables cerca de éste o cualquier otro artefacto.
- **QUE HACER SI HAY FUGAS DE GAS**
 - No intente de encender ningún artefacto
 - No toque ningún interruptor eléctrico; no utilice ningún aparato telefónico en su edificio.
 - Llame inmediatamente el abastecedor de gas desde el teléfono de un vecino. Siga las instrucciones del abastecedor de gas.
 - En caso que no puede contactar el abastecedor de gas llame al departamento de bomberos.
- La instalación y el servicio telefónico deben ser realizados por un instalador calificado, por un servicio tecnico certificado o por el abastecedor de gas.

Dimensiones de la plancha de cocinar a gas

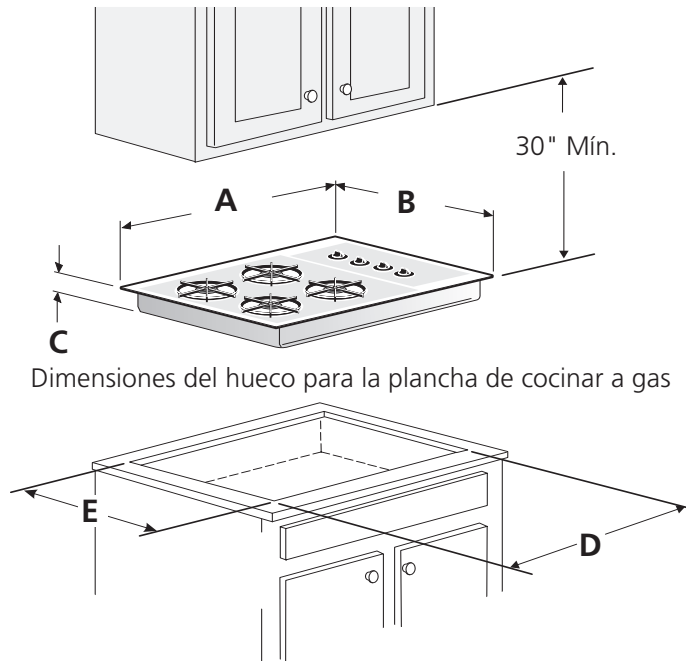


Figura 1

MODELO	A. ALTURA	B. ANCHURA	C. PROFUNDIDAD	DIMENSIONES DEL HUECO			
				D. ALTURA		E. ANCHURA	
				MÍN	MÁX	MÍN	MÁX
Modelos 26"	25 3/4"	21 9/16"	3 1/2"	25"	25"	20 1/2"	20 1/2"
Modelos 30"	30"	21 1/2"	3 1/8"	26 5/8"	26 7/8"	19"	19 3/8"
Modelos 36"	36"	18 5/8"	3 1/4"	34 1/4"	34 3/8"	16 5/8"	16 3/4"

NOTA: Se adjunta los diagramas de cables de esta plancha de cocinar con el libreta.

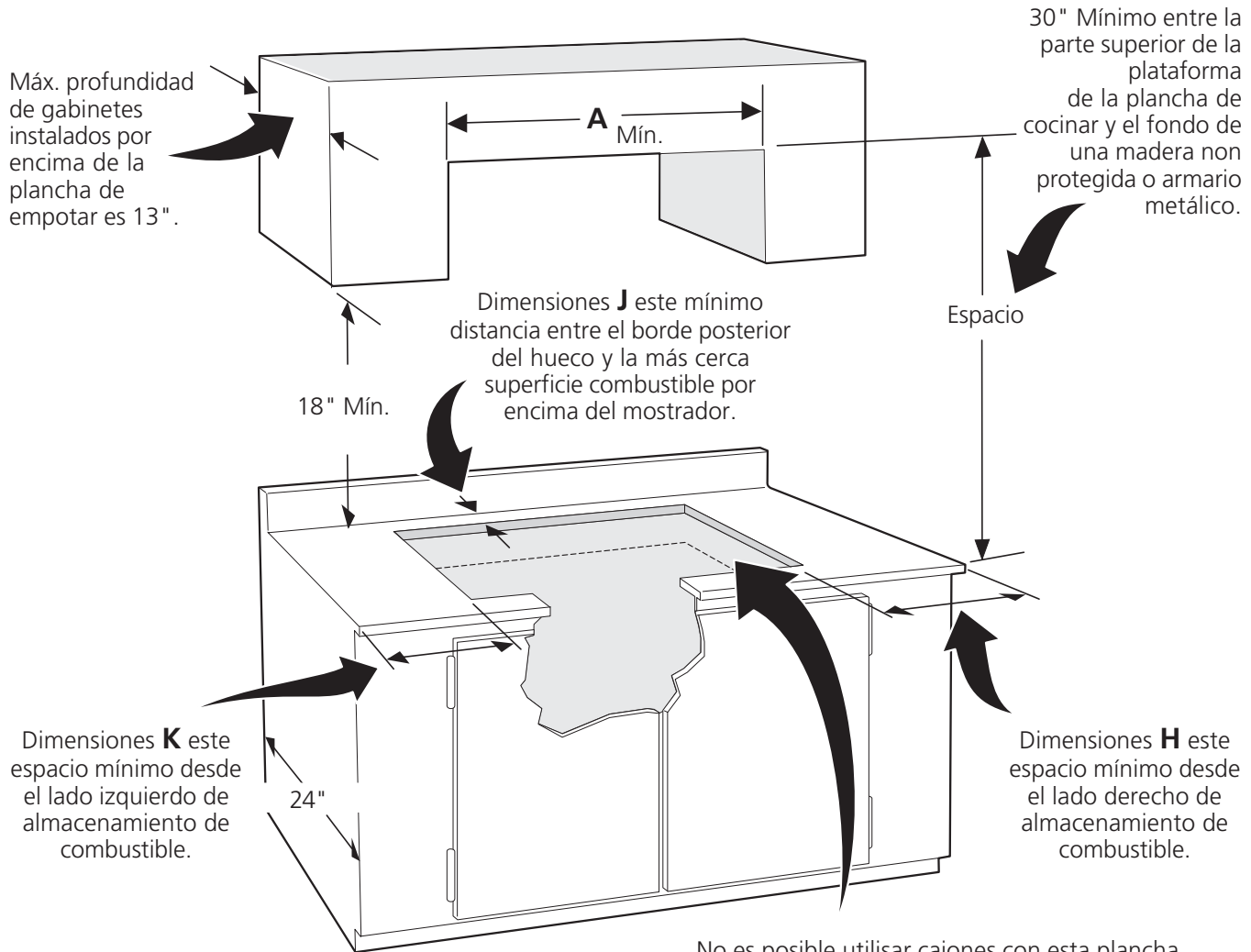
P/N 318201452 (0410) Rev. C

English – pages 1-10

Español – páginas 11-22

Diagrama de la instalación alámbrica - pages 24

INSTRUCCIONES DE INSTALACION PARA PLANCHA DE COCINAR A GAS



No es posible utilizar cajones con esta plancha de cocinar porqué la caja de empalme se extiende de **L** dimensiones por encima de la superficie del mostrador.

PRECAUCION Para eliminar el riesgo de alargar sobre los unidades en calentamiento de la superficie, debería evitarse el espacio de almacenamiento del armario, ubicado sobre las unidades de la superficie. Si se cuenta con este espacio, se puede disminuir el peligro instalando una cubierta de cocina que se extienda horizontalmente en 5" mínimo por sobre la parte inferior delantera en los armarios.

Nota: (Por Modelos 26" y 36" solamente). El borde posterior de la abertura debe estar separado 1 ½" de la parte posterior del gabinete. Si la fabricación de la mesa es ordenada a un fabricante diferente de el fabricante los gabinetes, la abertura debe ser especificada.

MODELO	H	J	K	L
Modelos 26"	1"	½"	1"	8 ½"
Modelos 30"	0"	0"	2"	8 ⅛"
Modelos 36"	1"	2 ½"	1"	8 ¼"

Figura 2 – DESEÑO DEL ARMARIO

INSTRUCCIONES DE INSTALACION PARA PLANCHA DE COCINAR A GAS

Notas importantes para el instalador

1. Lea todas las instrucciones de instalación antes de realizar la instalación de la plancha de cocinar.
2. Retire todos los artículos de embalaje antes de realizar las conexiones eléctricas a la plancha de cocinar.
3. Observe todos los códigos o reglamentos estatales.
4. Asegúrese que el consumidor tenga estas instrucciones.

Notas importantes para el consumidor

Guarde todas las instrucciones con su manual del usuario para futuras referencias.

INSTRUCCIONES DE SEGURIDAD IMPORTANTES

La instalación de esta plancha de cocinar debe realizarse en conformidad con los códigos locales o, si éstos no existen, con el National Fuel Gas Code ANSI Z223.1 - última edición.

El diseño de esta plancha de cocinar cuenta con la aprobación de la American Gas Association. Al igual que todos los artefactos a gas que generan calor, deben seguirse ciertas medidas de seguridad. Vienen con el Manual de uso y mantenimiento. Lea el manual atentamente.

- **Asegure que la plancha de cocinar sea instalada correctamente por un instalador o técnico calificado.**
- **La plancha de cocinar debe conectarse eléctricamente a tierra de acuerdo con los códigos locales o, de no existir, con el código eléctrico ANSI/NFPA No. 70 - última edición. Mire las instrucciones de conexión a tierra.**
- **La instalación de las unidades diseñados para casas (moviles) deben estar de acuerdo con: "Manufactured Home Construction and Safety Standards tittle 24 CFR, part of 3280 (anteriormente The Federal Standard for Mobile Home Construction and Safety, tittle 24, HUD, Part 280)", o cuando los estándares no son aplicables the "Standard for Manufactured Home Installation 1982 (Manufactured Home Sites, Communities and Set-ups) ANSI Z225.1-NFPA- 501A" o última edición o con los códigos locales.**
- **No almacene artículos que interesan los niños en los armarios que están por encima de la plancha de cocinar.** Les podría causar quemaduras graves si intentan subirse para alcanzarlos.
- **Deberán eliminarse los armarios sobre los quemadores para evitar el contacto entre ambos.**
- **Grade el tamaño de la llama de modo que no sobrepase el borde del utensilio de la plancha de cocinar.**

- **No utilice jamás su plancha de cocinar como calefactor.** El uso prolongado de la cocina sin la ventilación adecuada puede ser peligroso.
- **No guarde o haga uso de gasolina o otros vapores y líquidos inflamables acerca de esté o cualquier aparato.** Se puede resultar en incendios o explosiones.

⚠ ADVERTENCIA El suministro eléctrico a la plancha de cocinar debe de ser cerrado durante las conexiones a la línea. De lo contrario se puede resultar lesiones graves o la muerte.

Recomendaciones de seguridad para unidades de superficie

Su nueva plancha para cocinar ha sido probada para cumplir los más altos estándares de seguridad. Usted puede sentirse seguro al usarla. Pero siga las siguientes recomendaciones de seguridad para evitar accidentes que puedan lastimar a quien lo usa o dañar de la plancha de cocinar.

NOTA: Algunas recomendaciones de seguridad pueden no aplicar a su modelo.

- Conecte la unidad únicamente a un toma de 120 voltios con conexión a tierra. Si existe alguna duda acerca de la conexión a tierra del sistema eléctrico de la casa, es responsabilidad y obligación del dueño contactar a un electricista calificado y hacer reemplazar el toma sin tierra por un toma de tres patas conectado a tierra que siga el National Electric Code. Con esta unidad no deben usarse extensiones.
- No repare o reemplaze ninguna parte de la estufa a menos que se recomiende en forma explícita en este manual. Llame a un técnico calificado para cualquier otro tipo de servicio.
- Limpie únicamente las partes de la estufa como se recomienda en la [Guía de Usuario](#).
- Asegúrese de que todos los materiales de empaque han sido removidos de la unidad antes de usarla, para prevenir daño por fuego o humo en caso de incendiarse el material de empaque.

Extractores de aire

- Limpie los extractores frecuentemente. No se debe dejar acumular grasa en el extractor o en el filtro.
- Cuando los alimentos estén dando llama, apague el extractor; éste puede expandir la llama.

INSTRUCCIONES DE INSTALACION PARA PLANCHA DE COCINAR A GAS

Medidas de seguridad para el uso de la plancha de cocinar

- No coloque recipientes de cocina secos y vacíos encima de las parrillas pues ésto los dañaría y se correría peligro de incendio.
- No use un wok (sartén chino) en la plancha de cocinar si viene con el anillo metálico para sostenerla. Este anillo actúa como una trampa de calor que puede dañar la parrilla del quemador, las cocas y el mismo quemador. Además puede hacer que el quemador funcione mal. Esto puede generar niveles indeseados de monóxido de carbono que serían perjudiciales para la salud.
- Para evitar derrames y quemaduras las agarraderas de los recipientes de cocina deben colocarse hacia el interior de la plancha de cocinar y nunca sobre otras parrillas.
- Asegúrese de no lastimarse los dedos al cerrar la plancha de cocinar. Sujete la plancha con las puntas de los dedos y bájela.

Importante : Por favor lea antes de continuar con la instalacion

El aparato y su válvula de apagado deben ser desconectados del sistema de suministro de gas durante cualquier prueba de presión del sistema a una presión de prueba en exceso de 1/2 psig.

La unidad debe estar aislada del suministro de gas cerrando la válvula manual de cierre durante cualquier prueba del sistema del suministro de gas a una presión de prueba igual o menor que 1/2 psig.

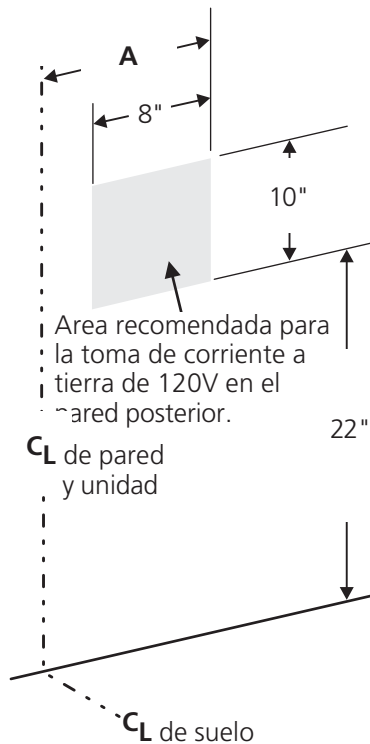
Para evitar que el piloto se apague, (si puede aplicarse), cierre todas las aberturas de la cavidad del gabinete que encierra la unida. También cualquier abertura alrededor de las salidas del servicio de gas deben estar cerrados en el momento de la intalación.

⚠ AVISO Esta cocina no debe de usar con sistemas de ventilación descendente.

⚠ AVISO Desconecte la corriente electrica antes de hacer mantenimiento a este electrodomestico.

INSTRUCCIONES DE INSTALACION PARA PLANCHA DE COCINAR A GAS

1. Area para la toma de corriente (algunos modelos)



NOTA: Si no existe una toma de corriente, contacte a un electricista calificado para realizar la instalación.

	Modelos 26"	Modelos 30"	Modelos 36"
Dimensiones A	12 1/2"	12"	17 1/8"

Figura 3

2. Fijacion de la unidad

A. Plancha de cocinar 26" y 36"

La unidad deberá estar fijada en su sitio. Remueva las parrillas y los removibles de los quemadores. Para levantar la cubierta, remueva los botones de control. Hay unas perforaciones previstas en la caja del quemador en las paredes anterior y posterior para fijarla a la mesa del gabinete de cocina (vea la figura 4).

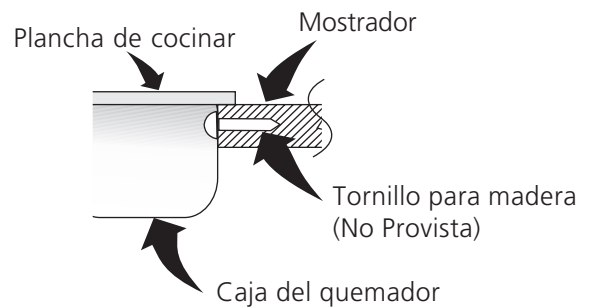


Figura 4

B. Plancha de cocinar 30"

Una vez que el aparato está instalado en la apertura del mostrador, se tiene que sujetar como se indica.

Para ajustar el aparato, inserte el soporte, con el lado desviado, en la ranura en cada lado del aparato. El tomillo que se puede girar con los dedos debe entonces de pasar a través del soporte y hasta la parte de abajo del mostrador. Apriételo hasta que el aparato se quede ajustado (vea la figura 5).

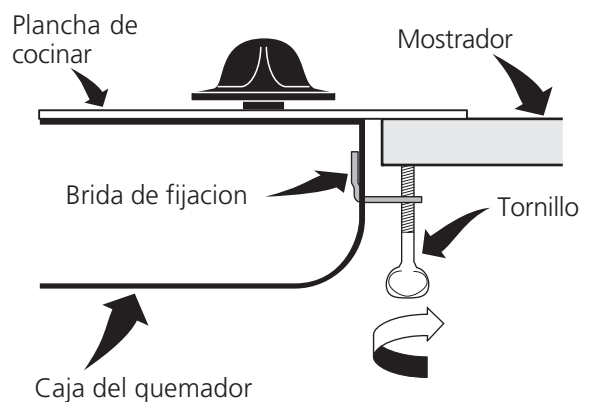


Figura 5

INSTRUCCIONES DE INSTALACION PARA PLANCHA DE COCINAR A GAS

3. Provea un adecuado suministro de gas

Las planchas de cocinar abarcadas en estas instrucciones de instalación están diseñadas para funcionar con gas natural de 4" de múltiple de admisión o con gas propano de 10" de múltiple de admisión.

Se conecta un regulador de presión convertible en serie al múltiple a la cocina que debe permanecer en serie con la línea de suministro de gas, que no tiene en cuenta si está utilizado gas natural o gas propano.

El regulador convertible de las planchas de empotrar debe ser localizado y colocado de tal forma que permita el acceso a la característica de ser convertible.

Para un manejo correcto, la presión de entrada máxima hacia el regulador no debe exceder 14" de presión de la columna de agua.

Para controlar el regulador, la presión de entrada debe ser de al menos 1" (o .3.4 kPa) mayor que el ajuste de presión del múltiple del regulador se ajusta a 4" de la presión del múltiple, la presión de entrada debe ser de al menos 5". Si el regulador se ajusta a 10", la presión de entrada debe ser de al menos 11".

Una valvula de corte manual externa a la unidad debe instalarse en la línea de suministro de gas. El proposito de esta valvula es poder abrir o cerrar el suministro de gas a la unidad. Esta valvula debe estar localizada en un sitio de facil acceso para cerrar el suministro de gas a la unidad.

La línea de suministro de gas por la cocina deberá tener un tubo de 1/2" o 3/4".

Selle todas las aberturas de la pared detrás de la plancha de cocinar y en suelo por debajo de la plancha de cocinar después la instalación del suministro de gas.

4. Conexión del gas

A. Plancha de cocinar 26" (vea figura 6)

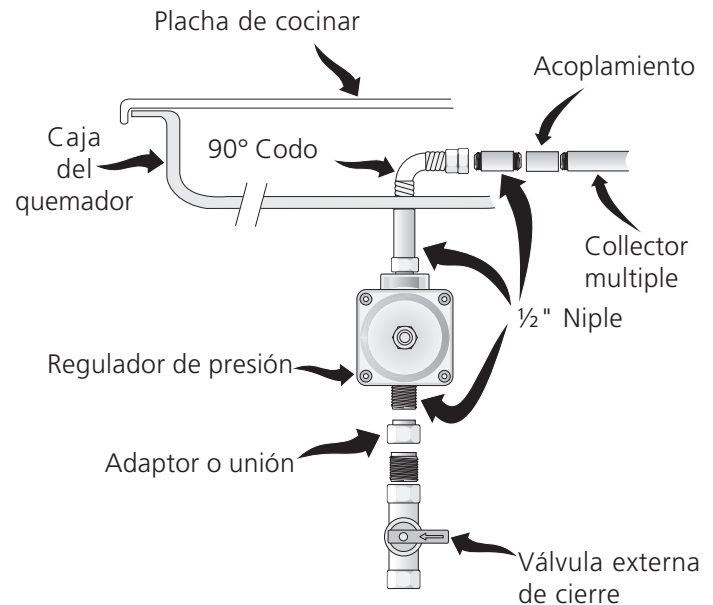


Figura 6

INSTRUCCIONES DE INSTALACION PARA PLANCHA DE COCINAR A GAS

B. Plancha de cocinar 30" y 36" (vea figura 7)

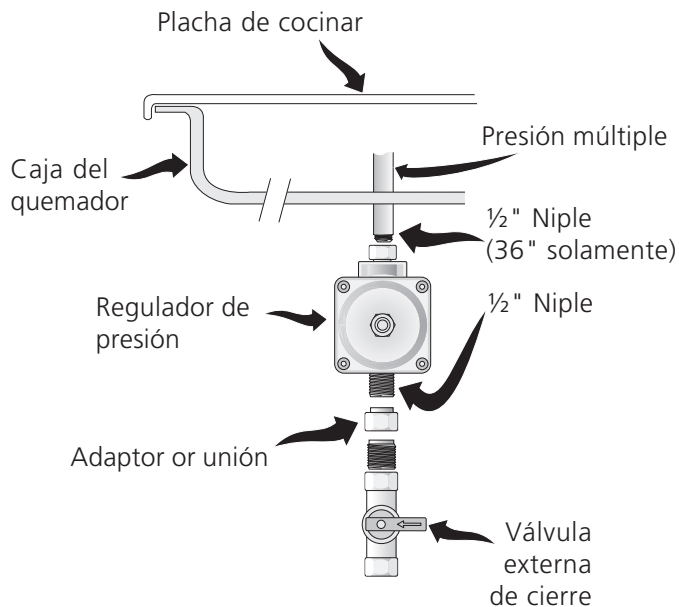


Figura 7

Enganche la plancha de cocinar a la línea de suministro de gas.

Instalar el regulador de presión con la flecha del regulador apuntando hacia la pieza y en una posición que permita alcanzar la tapa de entrada.

Para verificar si hay fugas de gas natural o de gas propano en el electrodomestico se debe de seguir las instrucciones del fabricante.

Verifique para las fugas. Luego de conectar la plancha de cocinar al gas, verifique el sistema con un manómetro. Si no cuenta con este instrumento, cortar todos los pilotos y dé la vuelta al suministro de gas de la plancha de cocinar y utilice un detector de fugas líquidas en todas las articulaciones y conexiones para verificar si existen fugas.

Ajuste todas las conexiones en caso que sea necesario, para evitar fugas de gas en la plancha de cocinar o en el tubo de suministro de gas.

Verifique la alineación de las válvulas luego de conectar la plancha de cocinar al suministro de gas para asegurar que no se ha movido la válvula del múltiple. Una mala alineación puede inducir la friega del tronco de perilla de la válvula sobre el panel de control, y ocurrir en fugas en la válvula.

⚠ AVISO No utilice llama libre para verificar la existencia de fugas.

Desconecte la plancha de cocinar y su válvula de cierre individual del sistema de tubería durante cualquier ensayo de presión del sistema en ensayos de presión superiores a 1/2 psig.

Aparte la plancha de cocinar del sistema de tubería del suministro de gas, cerrando su válvula de cierre individual manual, durante cualquier ensayo de presión del sistema de suministro de gas en ensayos iguales o inferiores a 1/2 psig.

INSTRUCCIONES DE INSTALACION PARA PLANCHA DE COCINAR A GAS

5. Conversión de gas propano/ licuado

A. Conversión el regulador de presión

IMPORTANTE: A excepción del modelo Puerto Rico 30" model PGP332L todos los plancha de cocinar se evián de la fábrica fijada para el gas natural.

- Nota:**
- No quite el regulador de presión.
 - Use un manómetro para chequear la presión en el multiple, si hay alguna duda. Recuerde la presión de entrada debe ser al menos 1" W.C. más alta que la presión de salida. La presión de entrada en al regulador nunca debe exceder 14" W.C.

1. Para Convertir el regulador de presión de Gas Natural a LP, proceda de la siguiente manera (vea figura 8)

- Remueva la tapa del regulador de presión.
- Remueva el desatascador.
- Gire el desatascador hacia abajo con el lado grande hacia **ABAJO**.
- Ponga el desatascador entre el regulador. Las letras LP o 10" WC deberan estar a la vista en la parte expuesta del desatascador.
- Coloque la tapa en el regulador.

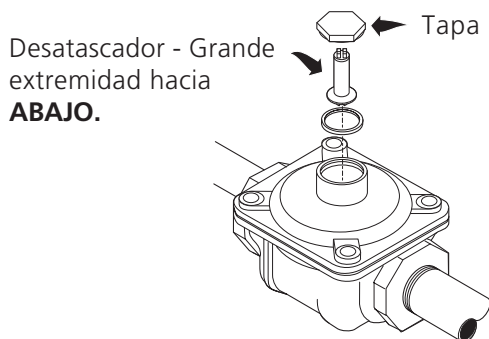


Figura 8
LP Gas

1. Para Convertir el regulador de presión de LP a Gas Natural, proceda de la siguiente manera (vea figura 9)

- Remueva la tapa del regulador de presión.
- Remueva el desatascador.
- Gire el desatascador hacia arriba con el lado grande hacia **ARRIBA**.
- Ponga el desatascador entre el regulador. Las letras NAT o 4" WC deberan estar a la vista en la parte expuesta del desatascador.
- Colique la tapa en el regulador.

Desatascador - Grande extremidad hacia **ARRIBA**.

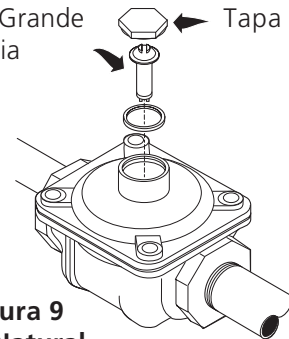


Figura 9
Gas Natural

B. Burner Valves Conversion (vea figura 10 y figura 11)

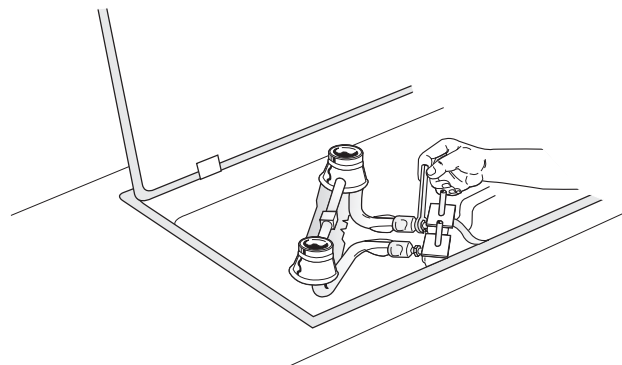


Figura 10

- Remueva los botones de control y levante la cubierta de la plancha de cocinar. Encontrará las capuchas de la válvula en la parte posterior de la válvula.
- 2a. Para convertir la unidad de Gas Natural a LP,** gire la capucha de la válvula aproximadamente 2 ½ vueltas. **No apriete demasiado.**
- 2b. Para convertir la unidad de LP a Gas Natural,** gire la capucha de la válvula aproximadamente 2 ½ vueltas en el sentido contrario a las manecillas del reloj. Esto separará la capucha del pasador mezclador.
- Proporcione gas al quemador y ajuste el piloto y el obturador de gas en el vénturi para obtener una llama adecuada. (para comparar, utilice los ilustraciones de la página 9).

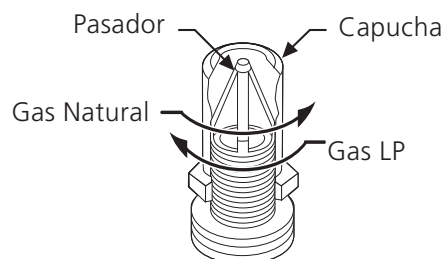


Figura 11

6. Ajustes

A. Pilotos superiores (Algunos modelos)

1. Retire los botóns de control, parrillas y cocas de combustión.
2. Levante la cubierta y sostengala con la barra de soporte.
3. Siga los tubos de los pilotos hasta el origen en el multiple y localice el sistema de ensamblaje de ajuste de filtro de los pilotos.
4. Encienda dos pilotos de adelante con una cerilla como muestra el figura 12.

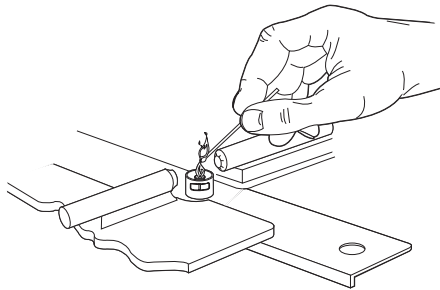


Figura 12

5. Ajuste el piloto a aproximadamente una llama de $\frac{1}{8}$ " – $\frac{1}{4}$ " (vea figura 13) de manera que una pequeña coloración amarilla aparezca en la parte alta de la llama del piloto.

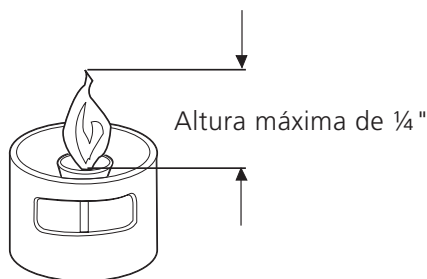


Figura 13

B. Ajustes de obturador de aire del quemador.

El ajuste del obturador de aire para cada uno de los cuatro quemadores y del horno está localizado en el extremo abierto del venturi y ajusta la capucha de la válvula. El obturador está fijado en su lugar por un tornillo de cabeza tipo Phillips.

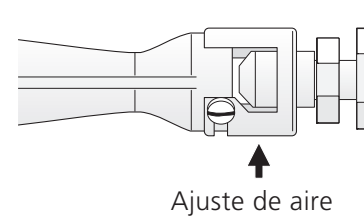


Figura 14

En caso de necesitar ajuste el obturador de aire, afloje el tornillo (cabeza tipo Phillips) y rote el obturador de aire para permitir más o menos aire en el quemador (según se necesite).

Para lograr una llama normal usando Gas Natural puede ser necesario rotar la válvula de entrada de aire hasta un poco antes del punto medio. Cuando se usa gas LP puede ser necesario abrir casi completamente la válvula de entrada de aire para lograr una llama normal.

INSTRUCCIONES DE INSTALACION PARA PLANCHA DE COCINAR A GAS

C. Ajuste de entrada de aire de la superficie del quemador

1. Ajuste de entrada de aire (figura 15)

Si la entrada de aire está ajustada correctamente, la llama será estable, relativamente suave y tendrá un cono azul fuerte de aproximadamente ½" (1.3 cm). Con gas LP propano, se puede ocurrir cuando la entrada de aire esta media abierta.

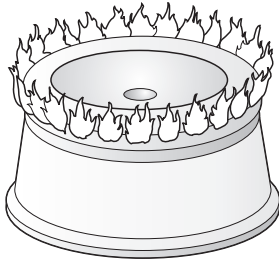


Figura 15

2. Demasiado Aire (figura 16)

Si el obturador de aire está dejando pasar demasiado aire al quemador, la llama será inestable, posiblemente no habrá llama a todo el rededor del quemador, y esta será ruidosa (como un soplete).

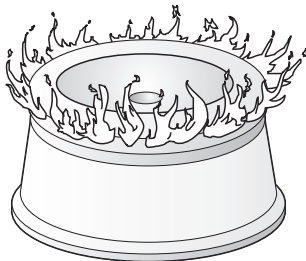


Figura 16

3. Aire insuficiente (figura 17)

Si la entrada de aire al quemador es insuficiente, usted no verá conos azul fuerte en la llama. La llama podrá tener puntas amarillas que causarían la acumulación de hollín en los recipientes usados sobre el quemador.

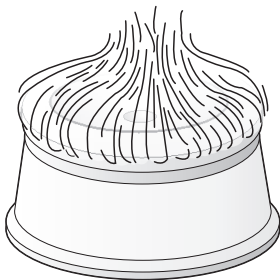


Figura 17

7. Conexión de la electricidad al aparato

Requisitos eléctricos

Un circuito de cañerías conectado correctamente a tierra de 120 voltios, 60 Herz protegidos por un interruptor automático de 15 amp o un fusible de retardo. **No utilice un cable flexible de extensión en esta plancha de cocinar.**

IMPORTANTE: Por favor, lea atentamente.

Como medida de seguridad personal, este artefacto debe conectarse a tierra correctamente.

El cable de encendido de este artefacto incluye un enchufe de tres patas (de conexión a tierra) que calza con un enchufe de pared estándar de tres patas de conexión a tierra (Figura 18) para disminuir la posibilidad de peligro de choques eléctricos desde el artefacto.

Se aconseja al consumidor que un electricista calificado verifique el enchufe de pared y el circuito para asegurar que el enchufe esté conectado a tierra correctamente.

Método Preferido

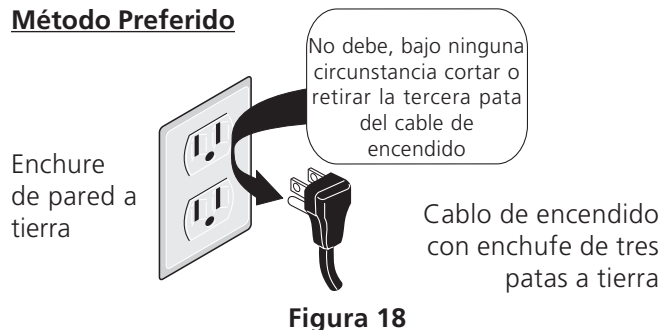


Figura 18

INSTRUCCIONES DE INSTALACION PARA PLANCHA DE COCINAR A GAS

En caso de encontrarse con un enchufe de pared estándar de dos patas, es la personal responsabilidad y la obligación del consumidor reemplazarlo por el enchufe de pared de tres patas correspondiente.

No debe, bajo ninguna circunstancia cortar o retirar la tercera pata (tierra) del cable de encendido.

Si una fuente de electricidad es utilizada; el aparato debe ser conectado a tierra de acuerdo con las normas locales o de acuerdo con las "National Electrical Code", ANSI/NFPA NO. 70-1987 o última edición.

Verifique todos los códigos, normas o regulaciones para conectar el aparato para cerciorarse de que la instalación está de acuerdo a los códigos locales, estatales y de las empresas de servicio de energía locales.

El incumplimiento de las anteriores recomendaciones, puede resultar en **un peligroso choque eléctrico.**

Nota: Todas las conexiones deben ser hechas por técnicos calificados.

Situaciones donde el cordón de alimentación del electrodoméstico debe de ser frecuentemente desconectado. No use un tapón adaptador en estas situaciones porque desconectar frecuentemente el cordón de alimentación genera demasiado tirantez sobre el adaptador y puede causar el mal funcionamiento del borne del adaptador. Es la responsabilidad del propietario de asegurarse que un electricista calificado reemplaza una tomacorriente de dos patas por una tomacorriente de tres patas (puesta a tierra), antes de usar el electrodoméstico.

⚠ AVISO Desconecte el cable eléctrico del toma de la pared antes de hacer mantenimiento.

8. Verifique la operación

Refiera el Manual del usuario que viene con la plancha de cocinar para las instrucciones de funcionamiento y el mantenimiento y la limpieza de su plancha de cocinar.

No toque a los quemadores. Pueden estar suficientemente calientes para causar quemaduras.

1. Verifique los dispositivos de encendido (algunos modelos)

La manipulación de los dispositivos de encendido eléctrico deberán verificarse tras haber revisado detenidamente la plancha de cocinar y los conectores del tubo del suministro de fugas y tras haber conectado la plancha de cocinar al suministro eléctrico.

Para verificar el correcto encendido, presione hacia adentro y gire una válvula de quemador superior hasta la posición "ENCENDIDO" (LITE). El quemador debe encender cuando tiene gas disponible. Una vez el quemador encienda debe cambiarse a una posición diferente a "ENCENDIDO" (LITE). Cada válvula debe chequearse independientemente hasta que todos los quemadores hallan sido revisados.

Durante un corte de energía eléctrica se pueden encender los quemadores de la cubierta con una cerilla. Acerque una cerilla encendida al quemador y luego gire lentamente el botón a la posición ENCENDIDO (LITE). Tenga extremo cuidado al encender los quemadores en esta forma.

Los quemadores de parrilla que estén encendidos cuando ocurra el corte de energía eléctrica seguirán funcionando normalmente.

2. Verificar el ajuste "LO" o "SIMMER" (Planchas de cocinar 30" solamente) (vea Figura 19)

Presionar y girar el botón de control al ajuste "LO" (o "SIMMER"). El ajuste "LO" de cada quemador ha sido creado para fijarse al menor ajuste disponible para entregar un reencendido confiable del quemador. Si no queda encendido en el ajuste "LO", verificar el ajuste "LO" como se muestra a continuación.

INSTRUCCIONES DE INSTALACION PARA PLANCHA DE COCINAR A GAS

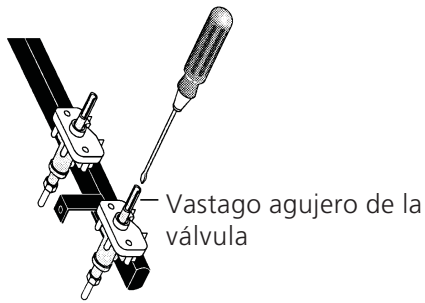


Figura 19

- A. Dejar que la cocina se enfríe a temperatura ambiente.
- B. Encender todos los quemadores girando cada botón de control hasta LITE para encender los quemadores y fijarlos en HI.
- C. Girar rápidamente el quemador utilizado desde HI hasta LOWEST POSITION.
- D. Si el quemador se apaga, reajustar la válvula como se muestra a continuación:
Retirar el botón de control del quemador, insertar un destornillador de cuchillo delgado en el vástago del agujero de la válvula y encajar el tornillo ranurado. El tamaño de la llama se puede aumentar o disminuir girando el tornillo. Graduar la llama hasta que se pueda girar rápidamente hacia abajo desde HI hasta LOWEST POSITION sin apagar la llama. La llama deberá ser lo más baja posible y estable sin apagarse.
- E. Si se desea ajustar otro quemador, repetir los pasos de A a D descritos hasta que los quemadores funcionen correctamente.

Cuando se han realizado todos los sistemas de conexión

Asegurese que todos los controles están en la posición de apagado.

Asegurese que el flujo de combustión y ventilación de aire de la plancha de cocinar no estén obstruidos.

Localización del modelo y número de serie

La placa de serie de su plancha de cocinar está ubicada en la caja del quemador, cerca del soporte de quemador o debajo de la caja de quemador. Además de los números de modelo y de serie, contiene la información acerca de la potencia normal de los quemadores, el tipo de combustible y el ajuste de presión fijado en la fábrica.

Asegúrese de incluir el modelo, número de serie y el número o letra del note que se encuentran en la placa, en todo pedido de partes o solicitud de información acerca de su plancha de cocinar.

⚠ ADVERTENCIA Incorrectas ajustas de instalación, modificaciones y reparaciones pueden causar quemaduras o daños a la propiedad. Consulte esté manual. Para asistencia y más información, consulte un instalador calificado, una agencia, la fabricante (distribuidor) o el suministrador de gas.

⚠ ADVERTENCIA Paraese, apoyarse o sentarse en las puertas o cajones de esta estufa puede causar serias lesiones personales y también puede dañar la estufa.

No use gasolina u otros vapores o líquidos inflamables cerca a este u otro aparato electrodoméstico. Una explosión o incendio podría ocurrir.

Antes de llamar al servicio técnico

Consulte el [manual de usuario](#) para las instrucciones de funcionamiento y limpieza.

Verifique que los fusibles de la casa no se hayan fundido o el cortacircuitos de la plancha de cocinar no hayan saltado o abierto.

Atencion señor propietario

En caso de necesitarse un repuesto debe procederse de la siguiente forma:

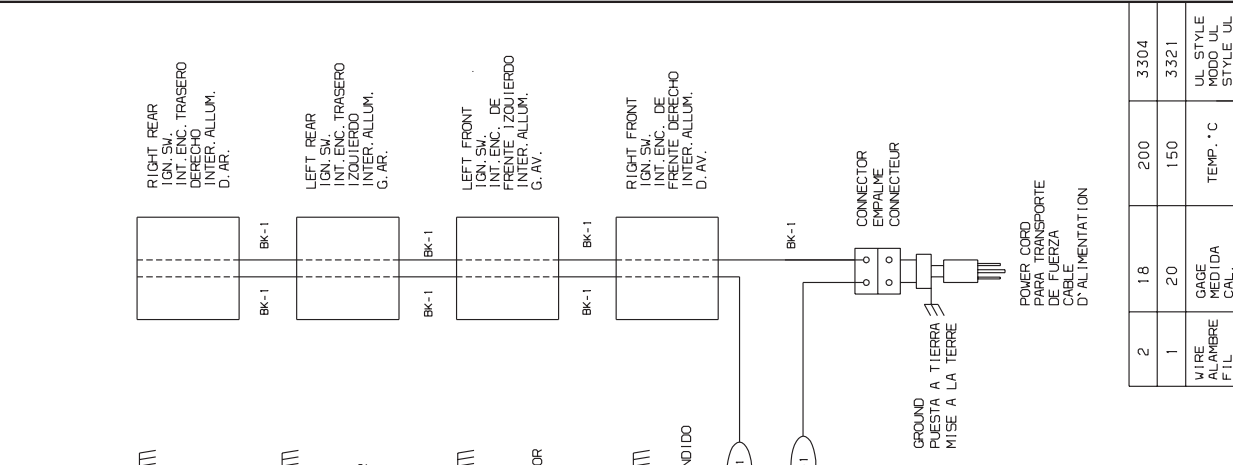
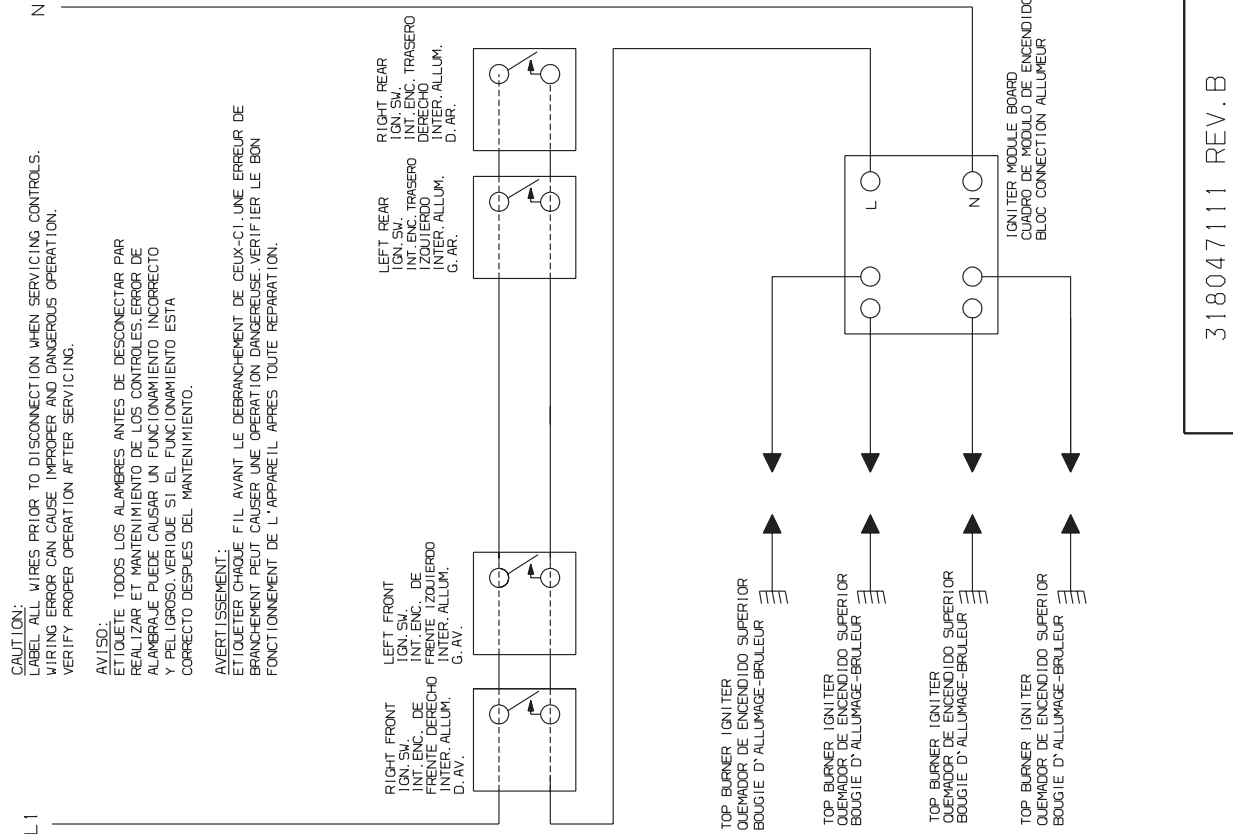
IMPORTANTE:

1. Copie el modelo, lote y número de serie que se centran en la placa de número de serie.
2. Describa la parte que necesita. the part you need
3. Envíe la orden de la parte al distribuidor local u obtenga de él la dirección del almacen de partes más cercano a usted.
4. Incluya la siguiente información con su requisición:
 - A. Descripción de la parte.
 - B. Modelo, lote y número de serie.
 - C. Fecha de compra de la estufa o de la vivienda.
 - D. Fecha de falla de pieza.

Cuidado, limpieza y mantenimiento

Cierre el suministro de gas en caso de ser necesario remover la unidad para su limpieza o reparación. Desconecte la línea de suministro de gas. Remueva los tornillos de instalación del marco frontal y parrilla inferior. Hale hacia afuera apenas lo necesario para poder desconectar del toma eléctrico. Después de desconectar del suministro eléctrico y de gas, termine de remover la unidad para su limpieza o mantenimiento. Reinstale siguiendo el procedimiento inverso. Asegúrese de nivelar la estufa y verificar que no halla escapes en la conexión de gas.

WIRING DIAGRAM - DIAGRAMA DE LA INSTALACIÓN ALÁMBRICA



WIRE ALAMBRE FIL	GAGE MEDIDA CAL.	TEMP. °C	UL STYLE MOD. UL STYLE UL
2	18	200	3304
1	20	150	3321

WARNING
 DISCONNECT POWER BEFORE SERVICING UNIT.
 AVISO
 DESCONNECTE LA ENERGIA ANTES DE REALIZAR
 EL MANTENIMIENTO DEL ELECTRODOMESTICO.
 AVERTISSEMENT
 COUPER LE COURANT AVANT D'EFFECTUER LA
 REPARATION.

COLOR CODE / CODIGOS DE COLOR / CODE COULEUR
 BK BLACK / NEGRO / NOIR
 W WHITE / BLANCO / BLANC

318047111 REV.B