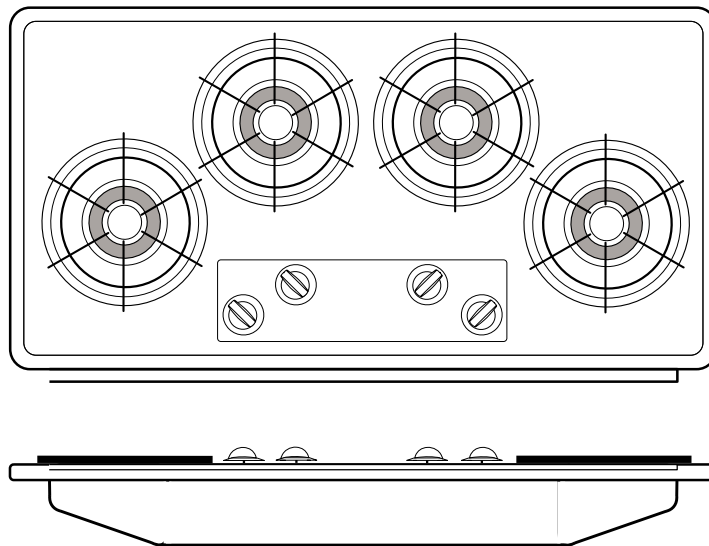


FACTORY PARTS CATALOG RANGE

Frigidaire



| PRODUCT NO. | BASE MODEL NO. | FACTORY NO. | COLOR | MARKET |
|-------------|----------------|---------------|--------------|---------------|
| FGC36C4AUA | FGC36C4A | 3775441161041 | black/bisque | North America |
| FGC36C4AWA | FGC36C4A | 3775441161011 | black/white | North America |

WIRING DIAGRAM - # 318047105
OWNER'S GUIDE - # 318200658
INSTALLATION INSTRUCTIONS - # 318201452

Electrolux

ELECTROLUX HOME PRODUCTS NORTH AMERICA
 P.O. BOX 212378, Augusta, GA 30917

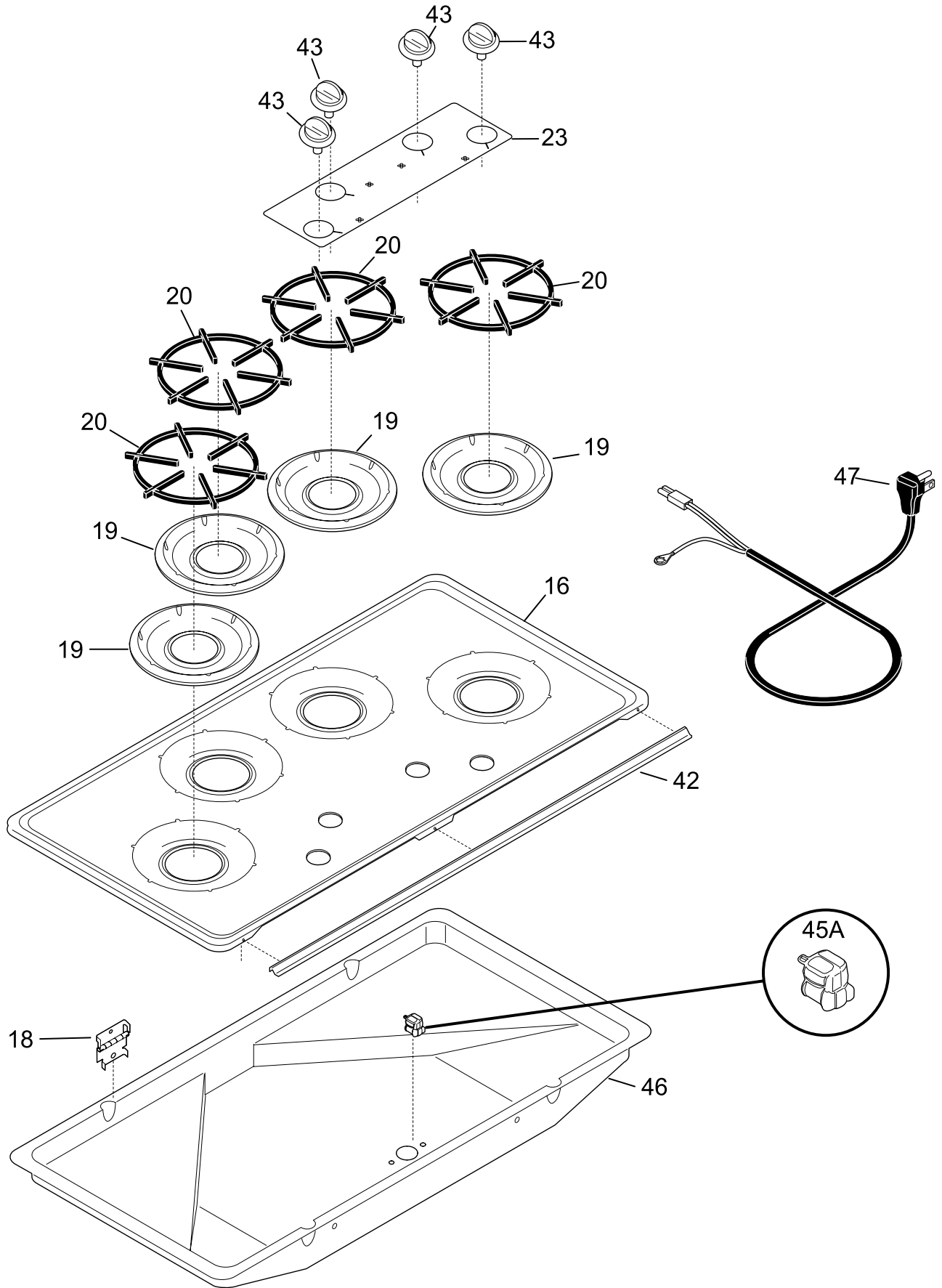
Publication No.
 5995361358
 011127
 -EN/SERVICE /ECL
 377

GAS
COOKTOP

Model No.
FGC36C4A

©2001 White Consolidated Industries, Inc.
 All rights reserved

COOK TOP

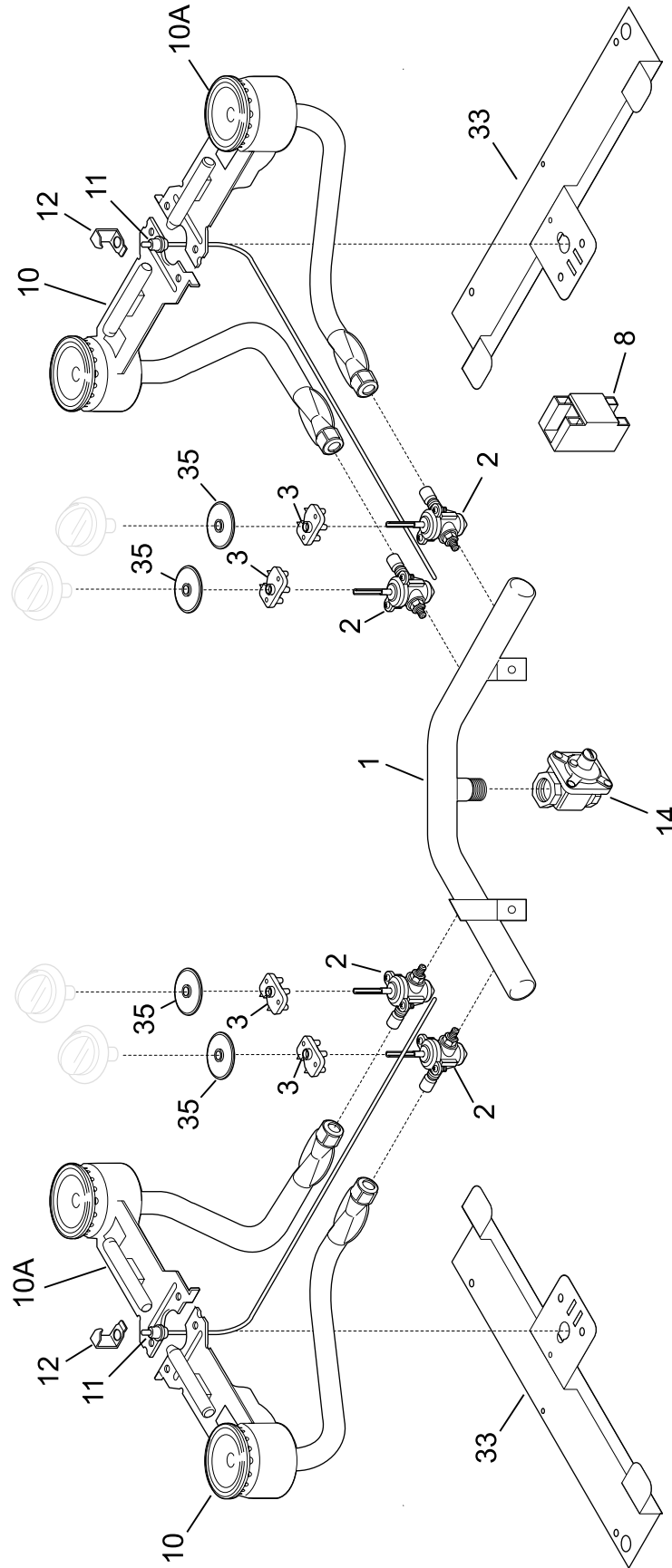


COOK TOP

| |
|---------------------------|
| A = FGC36C4A (FGC36C4AWA) |
| B = FGC36C4A (FGC36C4AUA) |

| POS. NO | PART NO | | DESCRIPTION |
|---------|------------|-----|-------------------------|
| 16 | 318159311 | A - | Main Top,white |
| 16 | 318159314 | - B | Main Top,bisque |
| 18 | 318074310 | A B | Hinge,maintop ,(2) |
| 19 | 318067300 | A B | Pan,burner ,(4) |
| 20 | 316040807 | A B | Grate,black ,(4) |
| 23 | 318021702 | A B | Panel,control |
| 42 | 5303311316 | A B | Trim,vent ,front |
| 43 | 318196130 | A B | Knob,control ,black |
| 45A | 3201437 | A B | Strain relief |
| 46 | 318077113 | A B | Burner Box |
| 47 # | 5303311311 | A B | Cord,electric power |
| * | 5303311306 | A B | Screw,8-18 x 0.375 |
| * | 5303311333 | A B | Screw,8-32 x 3/8 ,(6) |
| * | 5303311532 | A B | Screw,6-32 x 1/4" ,back |

BURNER



NOTE: Top burner valves
include mounting screw.

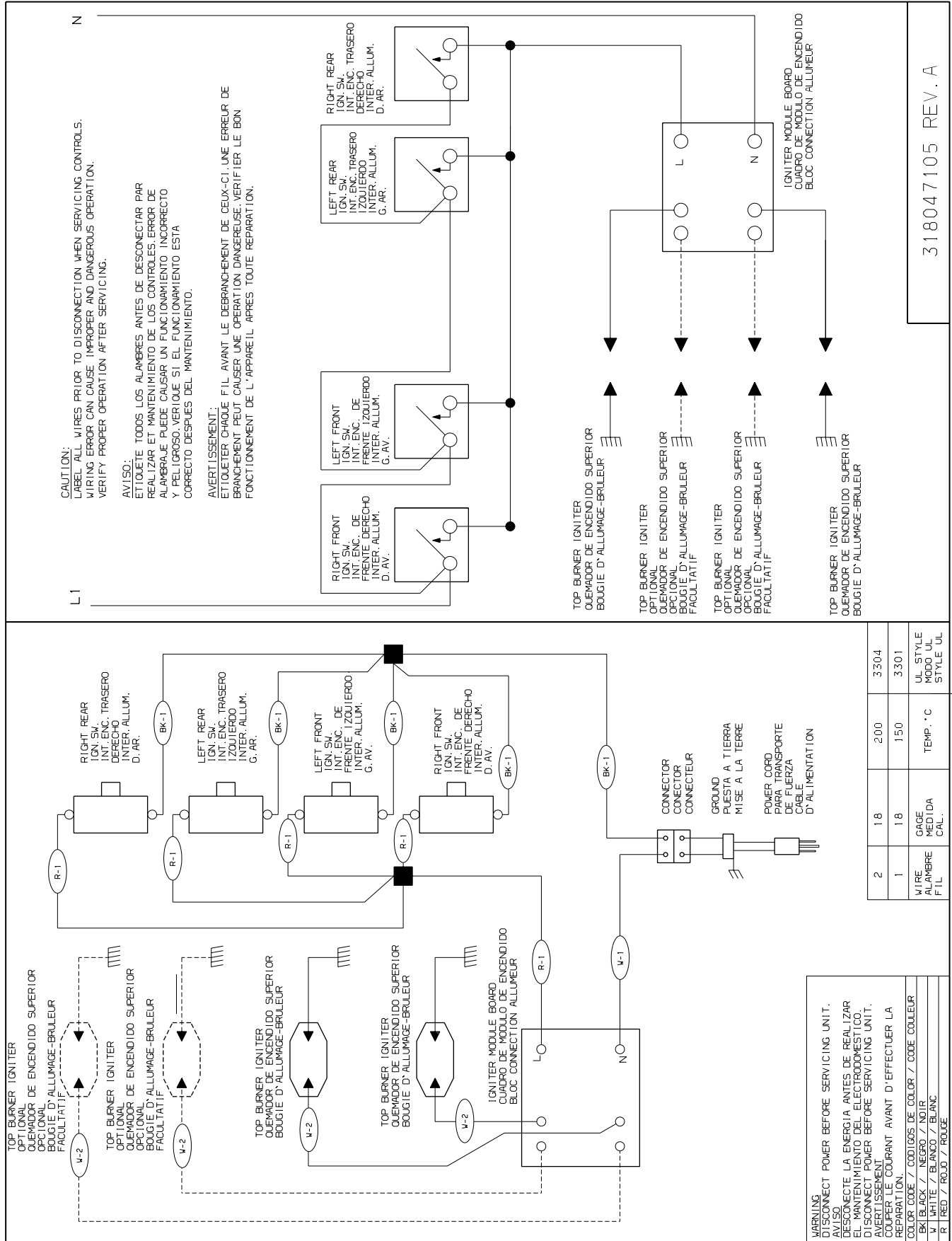
LA00BR77411-2

BURNER

| |
|---------------------------|
| A = FGC36C4A (FGC36C4AWA) |
| B = FGC36C4A (FGC36C4AUA) |

| POS. NO | PART NO | | DESCRIPTION |
|---------|------------|-----|----------------------------------|
| 1 | 318177102 | A B | Manifold Pipe |
| 2 # | 318087012 | A B | Valve,top burner |
| 2* | 5303323141 | A B | Screw, valve mtg , 1/4-20 x 5/16 |
| 3 # | 316032001 | A B | Switch,ignitor ,(4) |
| 8 # | 316135700 | A B | Module,spark |
| 8* | 318024201 | A B | Bracket,spark module |
| 10 # | 318176412 | A B | Burner,top ,LF & RR |
| 10A# | 318176413 | A B | Burner,top ,RF & LR |
| 11 # | 318148503 | A B | Ignitor,top burner |
| 12 | 3016993 | A B | Retainer,ignitor |
| 14 # | 5308007974 | A B | Regulator,pressure |
| 33 | 5303311317 | A B | Bracket,burner mtg ,(2) |
| 35 | 318146300 | A B | Bushing |
| * | 08016432 | A B | Screw,truss head ,8-18 x 0.375 |
| * | 5303311306 | A B | Screw,8-18 x 0.375 |
| * | 5303311532 | A B | Screw,6-32 x 1/4" ,back |
| * | 5303324191 | A B | Washer,flat |

WIRING DIAGRAM



318047105 REV. A