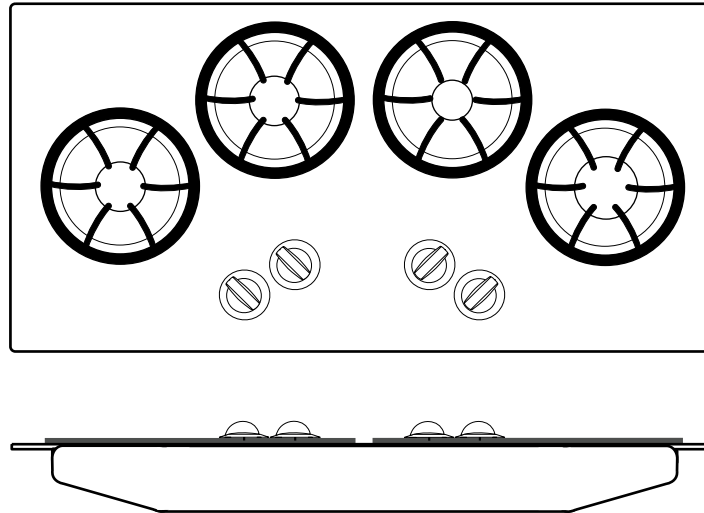


FACTORY PARTS CATALOG RANGE

Frigidaire



PRODUCT NO.	BASE MODEL NO.	FACTORY NO.	COLOR	MARKET
FGC36S6ABA	FGC36S6A	3775442361061	black	North America
FGC36S6ASA	FGC36S6A	3775442361011	white	North America

WIRING DIAGRAM - # 318047105
OWNER'S GUIDE - # 318200658
INSTALLATION INSTRUCTIONS - # 318201450

 **Electrolux**

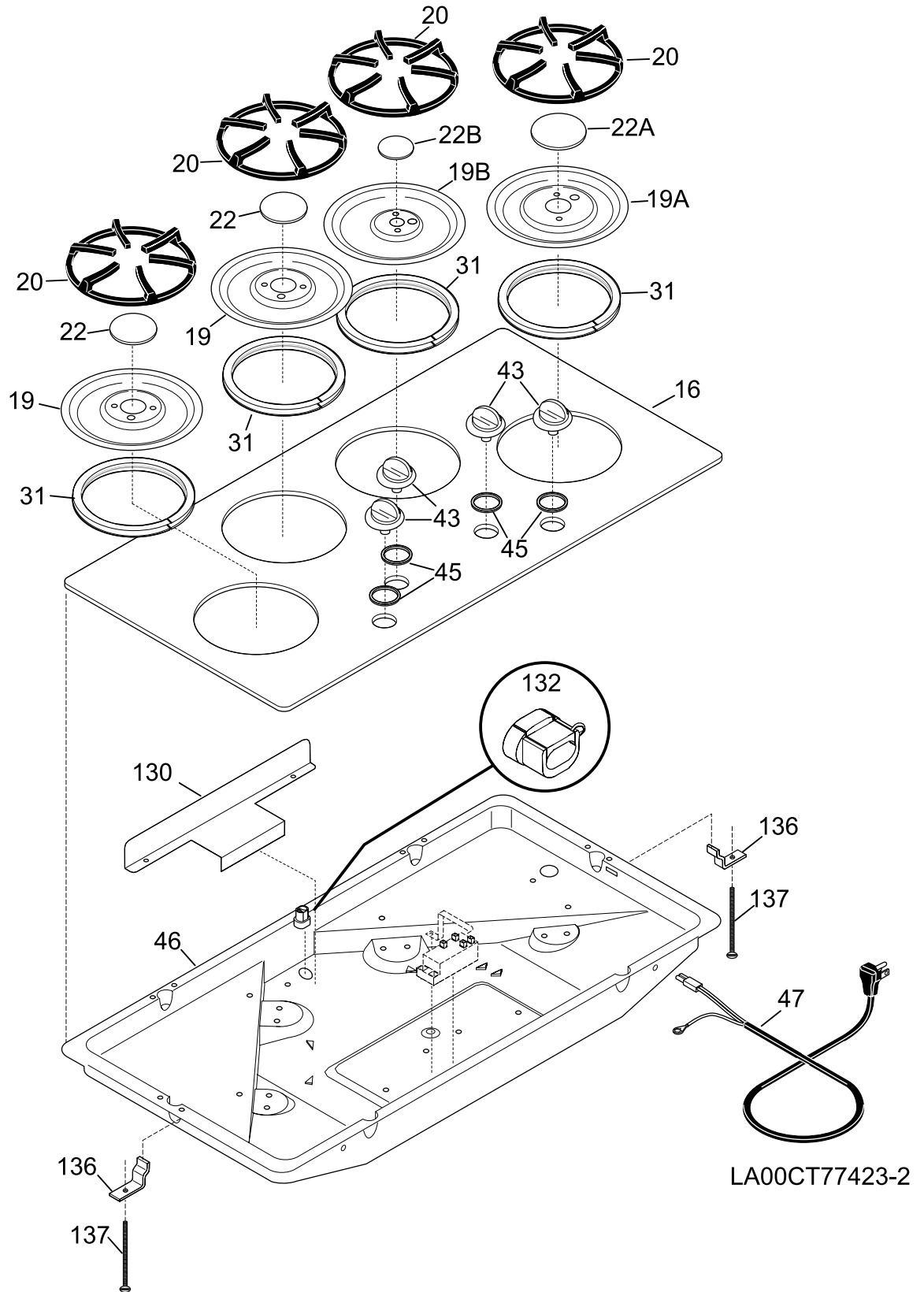
ELECTROLUX HOME PRODUCTS NORTH AMERICA
P.O. BOX 212378, Augusta, GA 30917

Publication No.
5995361333
011127
-EN/SERVICE /ECL
377

GAS
COOKTOP
Model No.
FGC36S6A

©2001 White Consolidated Industries, Inc.
All rights reserved

COOK TOP



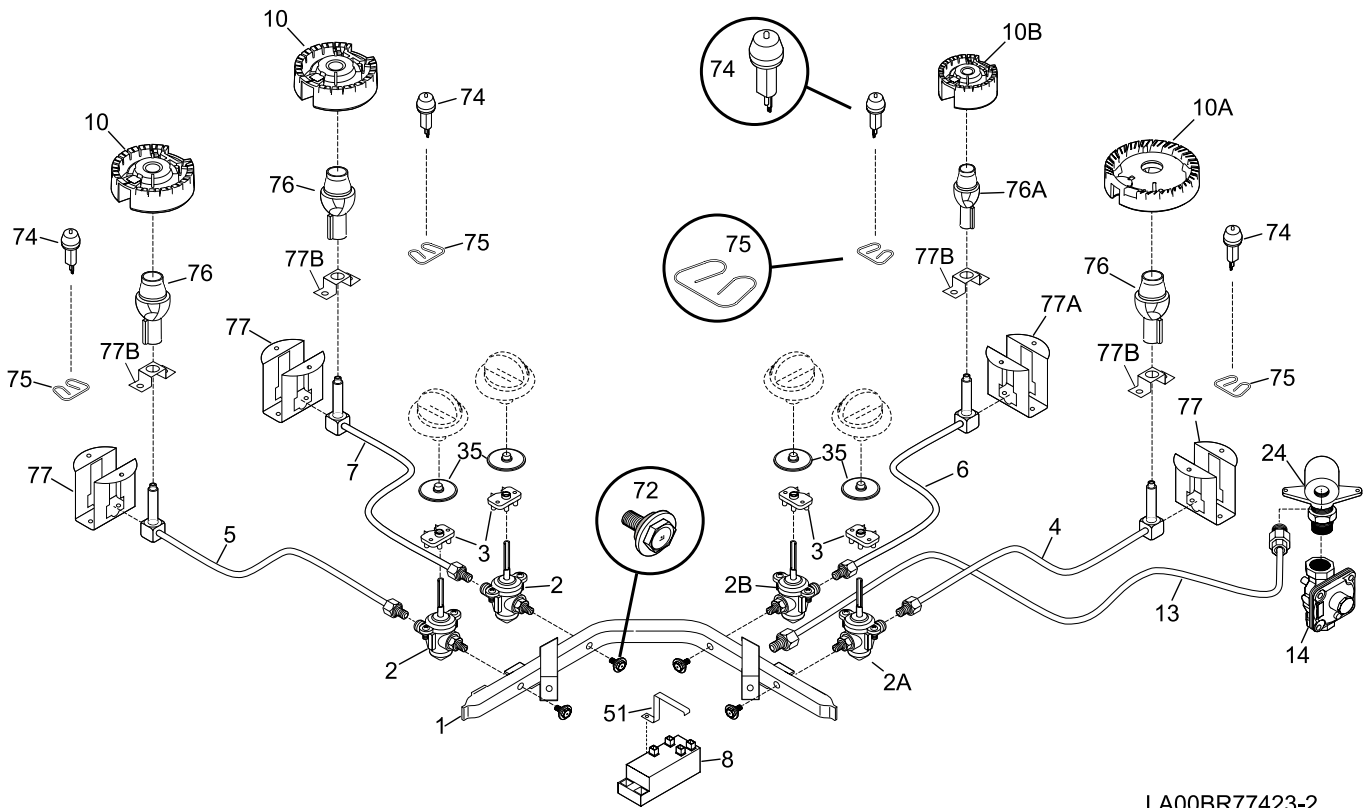
LA00CT77423-2

COOK TOP

A = FGC36S6A (FGC36S6ASA)
B = FGC36S6A (FGC36S6ABA)

POS. NO	PART NO		DESCRIPTION
16	318019412	A -	Glass top,white
16	318019413	- B	Glass top,black
19	318168016	A -	Pan,burner ,medium ,white
19	318168014	- B	Pan,burner ,medium ,black
19A	318168026	A -	Pan,burner ,large ,white
19A	318168024	- B	Pan,burner ,large ,black
19B	318168006	A -	Pan,burner ,small ,white
19B	318168004	- B	Pan,burner ,small ,black
20	318120006	A -	Grate,grey
20	318120005	- B	Grate,black
22	318076411	A -	Cap,burner ,grey ,medium LF & LR
22	318076410	- B	Cap,burner ,black ,medium LF & LR
22A	318076421	A -	Cap,burner ,grey ,large RF
22A	318076420	- B	Cap,burner ,black ,large RF
22B	318076401	A -	Cap,burner ,grey ,small RR
22B	318076400	- B	Cap,burner ,black ,small RR
31	318052910	A B	Gasket,burner pan ,(4)
43	318196120	A -	Knob,control ,white
43	318196121	- B	Knob,control ,black
45	318146200	A B	Bushing
46	318077130	A B	Burner Box
47 #	5303303991	A B	Cord,electric power
130	318125001	A B	Shield,burner box
132	3201437	A B	Strain relief
136	5303935029	A B	Support
137	5303323138	A B	Screw,10-24x1/2
*	5303300265	A B	Screw,8-18 x 0.500 ,chrome
*	5303311306	A B	Screw,8-18 x 0.375
*	5304403558	A B	Screw,10-16 x 0.250

BURNER



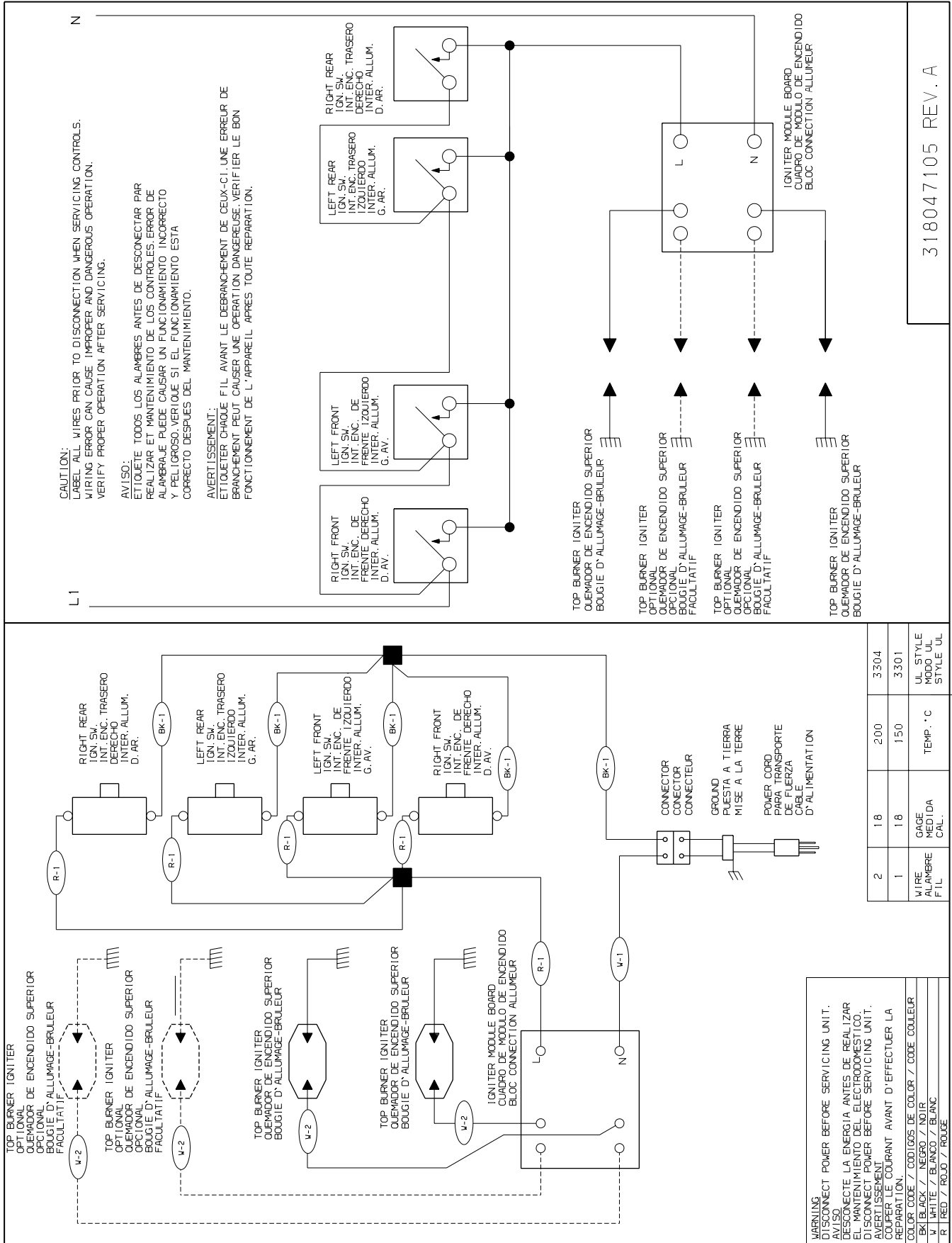
LA00BR77423-2

BURNER

A = FGC36S6A (FGC36S6ASA)
B = FGC36S6A (FGC36S6ABA)

POS. NO	PART NO		DESCRIPTION
1	318177100	A B	Manifold Pipe
2 #	5303935042	A B	Valve,top burner ,2-position ,9100 BTU
2A #	318087001	A B	Valve,top burner ,5000 BTU
2B #	318087040	A B	Valve,top burner ,13000 BTU
3 #	316032002	A B	Switch,ignitor
4 #	318167711	A B	Tube,burner ,FR
5 #	318167708	A B	Tube,burner ,FL
6 #	318167709	A B	Tube,burner ,BR
7 #	318167710	A B	Tube,burner ,BL
8 #	316135701	A B	Module,spark
10 #	318148001	A B	Burner,top ,9100 BTU ,medium LF & LR
10A#	318148002	A B	Burner,top ,13000 BTU ,large RF
10B#	318148000	A B	Burner,top ,5000 BTU ,small RR
13	318054508	A B	Manifold tube connector,connection ,manifold
14 #	5308007974	A B	Regulator,pressure
24	318054000	A B	Elbow,fitting
35	318146300	A B	Bushing
51	318024201	A B	Bracket,spark module
72	5303323141	A B	Screw,valve mtg ,1/4-20 x 5/16
74 #	318148700	A B	Ignitor,top burner
75	318148800	A B	Clip,electrode
76 #	318167801	A B	Tube,mixing ,medium & large
76A#	318167800	A B	Tube,mixing ,small
77	318112010	A B	Bracket,burner mtg ,medium & large
77A	318112000	A B	Bracket,burner mtg ,small
77B	318180900	A B	Bracket,burner tube
* #	318127410	A B	LP Conversion Kit
*	08011955	A B	Screw,10-24 x 0.375 ,square drive
*	5303211311	A B	Screw,8 x 0.500
*	5303311306	A B	Screw,8-18 x 0.375
*	5303311532	A B	Screw,6-32 x 1/4" ,back

WIRING DIAGRAM



318047105 REV. A