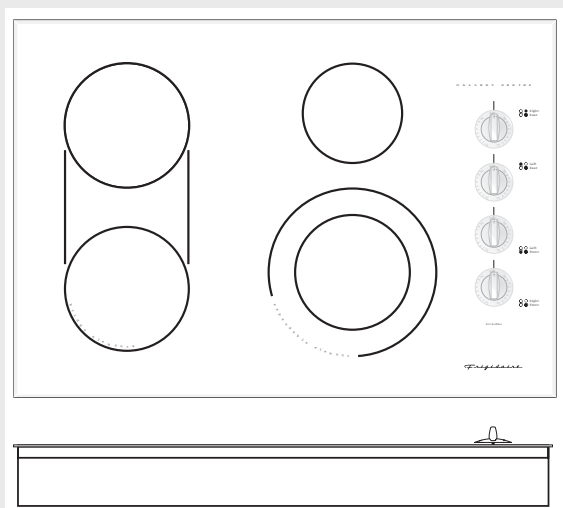


Frigidaire

Factory Parts Catalog



Product No.	GLEC30S8EB1	GLEC30S8EQ1	GLEC30S8ES1
Series	30" elec	30" elec	30" elec
Color	black	bisque	white
Market	North America	North America	North America
Wiring Diagram	387621700	387621700	387621700
Owner's Guide	318200612	318200612	318200612
Installation Instructions	318205403	318205403	318205403

Electrolux

Electrolux Major Appliances
North & Latin America
P.O. BOX 212378
AUGUSTA, GA 30917

Publication No.
5995532693
09/02/05
(EN/SERVICE/ECL)
377

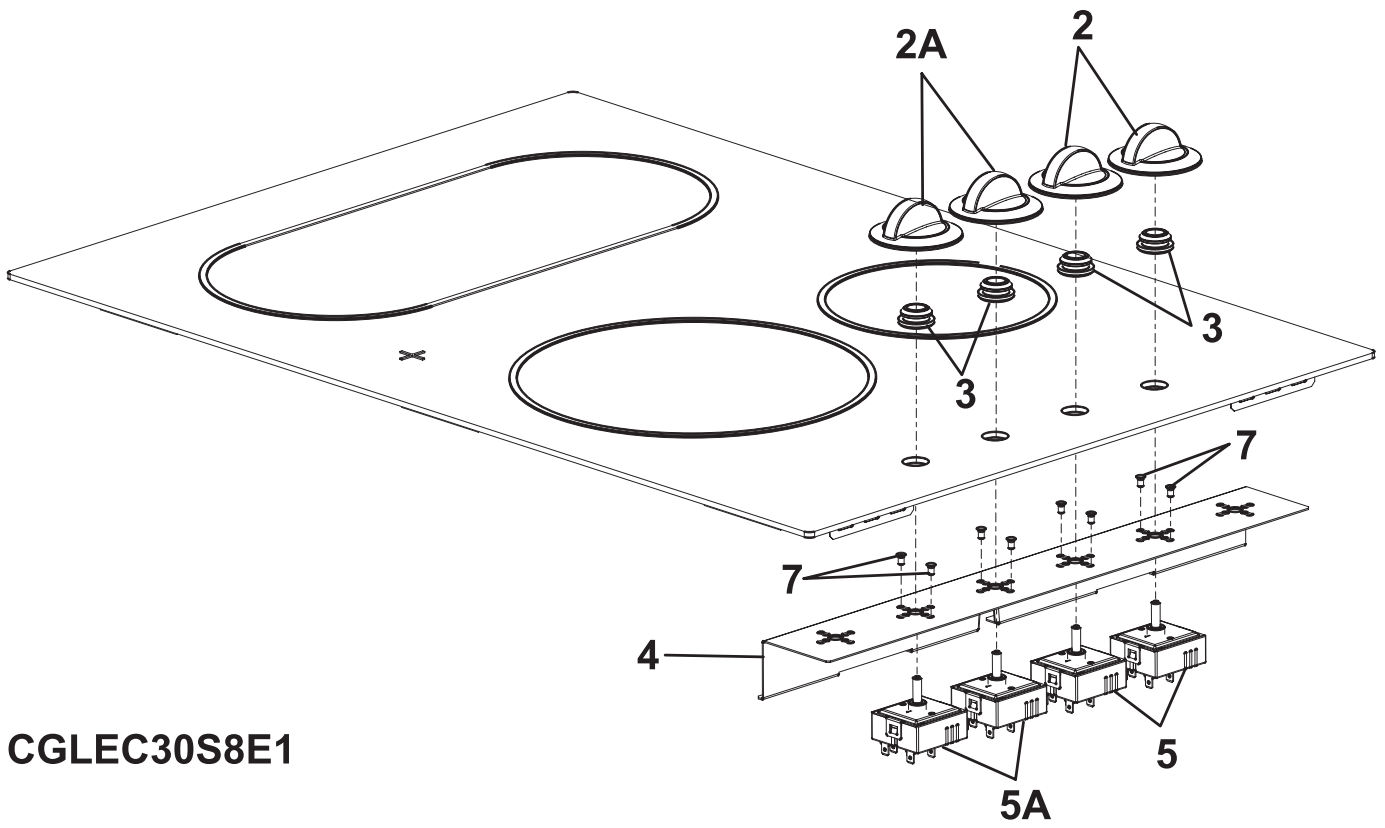
30" ELECTRIC COOKTOP

Model No. GLEC30S8E

This Publication Supersedes
Publication # 5995532636

Copyright © 2009 Electrolux Home Products, Inc.
All rights reserved.

CONTROL PANEL



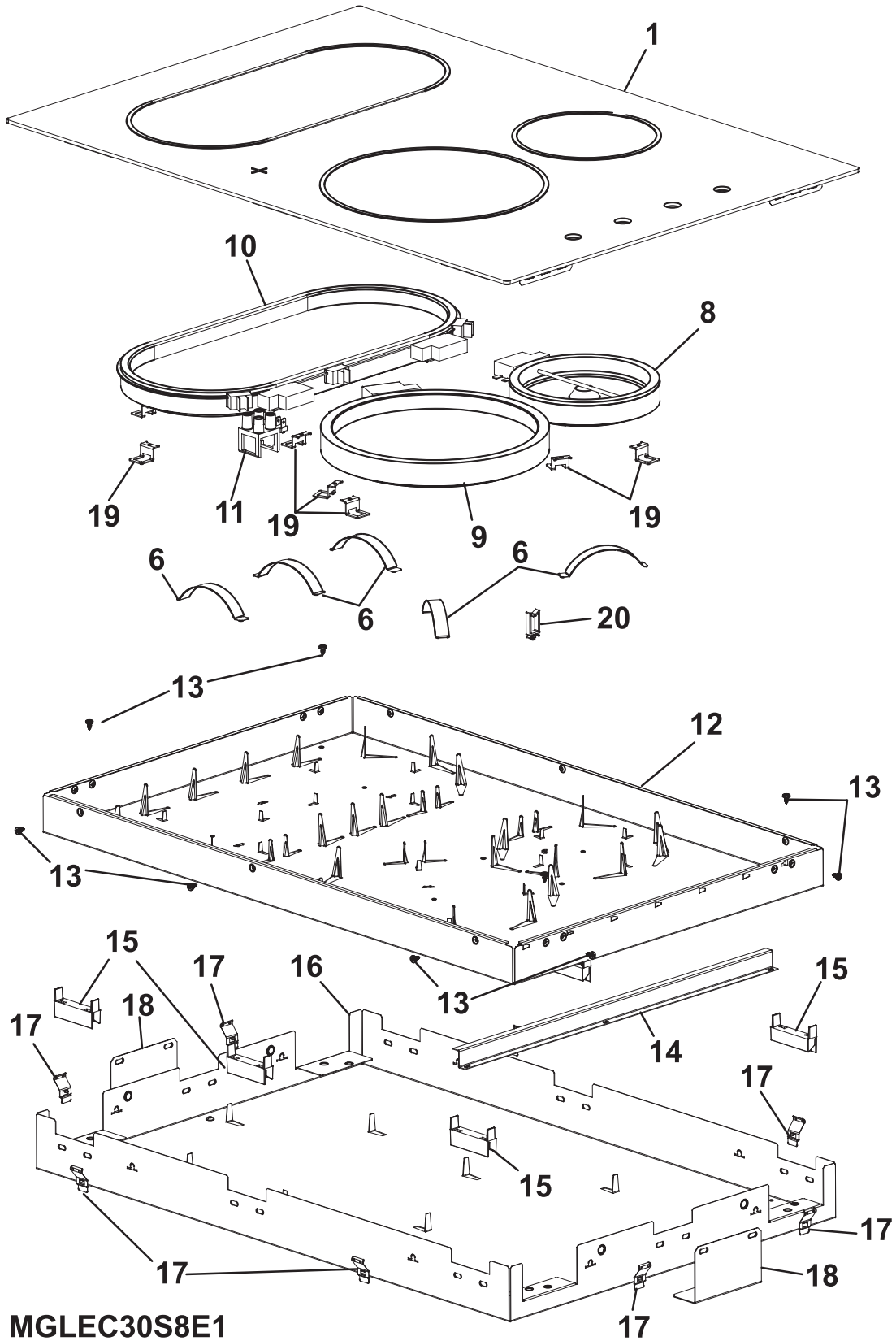
CGLEC30S8E1

CONTROL PANEL

Model Index: **A** GLEC30S8E (GLEC30S8EB1)
 B GLEC30S8E (GLEC30S8EQ1)
 C GLEC30S8E (GLEC30S8ES1)

POS. NO	PART NO.		DESCRIPTION
2	318196634	A - -	Knob, control, black
2	318196635	- B -	Knob, control, bisque
2	318196633	- - C	Knob, control, white
2A	318196631	A - -	Knob, dual control, black
2A	318196632	- B -	Knob, dual control, bisque
2A	318196630	- - C	Knob, dual control, white
3	387316100	A B C	Bushing, knob, sealing
4	387559700	A B C	Bracket, support, switch mtg.
5 #	305458905	A B C	Switch, surface element
5A #	305458904	A B C	Switch, surface element, dual
7	319224001	A B C	Screw, switch mtg., M4 x 7

MAIN TOP/SURFACE UNITS



MAIN TOP/SURFACE UNITS

Model Index: A GLEC30S8E (GLEC30S8EB1)
 B GLEC30S8E (GLEC30S8EQ1)
 C GLEC30S8E (GLEC30S8ES1)

POS. NO	PART NO.		DESCRIPTION
1	305379393	A - -	Maintop Assembly, glass/steel, black
1	305379392	- B -	Maintop Assembly, glass/steel, bisque
1	305379391	- - C	Maintop Assembly, glass/steel, white
6	387372900	A B C	Spring, surface element
8 #	374063522	A B C	Element, surface, 6", 1200W
9 #	305440406	A B C	Element, surface, 6/9", 1200/2700W, dual
10 #	305440415	A B C	Element, surface, 7", bridge
11 #	387372700	A B C	Light Assembly, indicator, hot surface
12	387558800	A B C	Box, burner, inner
13	330447900	A B C	Screw, B4, 2 x 9, 5
14	387683500	A B C	Support, burner box
*	305351200	A B C	Rivet, 3, 2 x 6
15	387627600	A B C	Spacer, burner box, plastic
16	387559400	A B C	Box, burner, outer
17	387174602	A B C	Bracket, spring, cooktop mtg.
18	387627700	A B C	Bracket, retainer, cooktop
*	305376102	A B C	Screw
*	305309606	A B C	Screw
19	387683300	A B C	Bracket, surface element
*	305376101	A B C	Screw, bracket, surface element
20	387727700	A B C	Retainer, wiring
* #	318078564	A B C	Box & wires assy
* #	387684900	A B C	Harness, wiring, main
*	305452800	A B C	Screw, ground

WIRING DIAGRAM

MODEL WITH BRIDGE ELEMENT / MODELO Y ELEMENTO RADIANTE SUPERIOR DE PUENTE / MODELE AVEC ELEMENT PONT

CODE	CODIGO / MEDIDA	STYLE / ESTILO / CALIBRE	STYLE / ESTILO / cUL	STYLE / ESTILO / UL
1	16	200°C	UL3122 or UL3135	
2	20	200°C	UL3122 or UL3135	
3	10	150°C	3321	3321
4	12	150°C	3321	3321
5	14	150°C	3321	3321
6	16	150°C	3321	3321

*** NOTE: USE PAGE 2 FOR GAGE AND WIRE COLOR.

*** NOTA: UTILIZAR LA PAGINA 2 PARA EL CALIBRE Y EL COLOR DE LOS CABLES.

*** NOTE: UTILISER LA PAGE 2 POUR LE CALIBRE ET LA COULEUR DU FIL.

MODEL WITH DOUBLE ELEMENT / MODELO Y ELEMENTO DE DOBLE / MODELE AVEC ELEMENT DOUBLE

* LIMITEUR / LIMITADOR / LIMITEUR CERAMASPEED / EIKA

* LIMITEUR / LIMITADOR / LIMITEUR E. G. O. / A. K. O.

MODEL WITH REGULAR ELEMENT / MODELO Y ELEMENTO REGULARE / MODELE AVEC ELEMENT REGULIER

LEGEND 1 / LEYENDA 1 / LEGENDE 1

SW. - SWITCH INTERRUPTOR INTERRUPTEUR

P. L. - PILOT LIGHT LAMPARA PILOTO LAMPE TEMOIN

R. F. - RIGHT FRONT FRENTE DERECHO AVANT DROIT

R. R. - RIGHT REAR TRASERO DERECHO ARRIERE DROIT

L. F. - LEFT FRONT FRENTE IZQUIERDO AVANT GAUCHE

L. R. - LEFT REAR TRASERO IZQUIERDO ARRIERE GAUCHE

R. C. - REAR CENTER TRASERO CENTRO ARRIERE CENTRE

L. C. - LEFT CENTER CENTRO DE IZQUIERDO CENTRE GAUCHE

H. S. - HOT SURFACE SUPERFICIE CALIENTE SURFACE CHAUDE

LEGEND 2 / LEYENDA 2 / LEGENDE 2

MODEL WITH 4 UNITS / MODELO Y 4 ELEMENTOS / MODELE AVEC 4 ELEMENTS	MODEL WITH 5 UNITS / MODELO Y 5 ELEMENTOS / MODELE AVEC 5 ELEMENTS
BK ON / EN / SUR L. F. POSITION / POSICION / POSITION	BR ON / EN / SUR L. F. POSITION / POSICION / POSITION
W ON / EN / SUR L. R. POSITION / POSICION / POSITION	W ON / EN / SUR L. R. POSITION / POSICION / POSITION
BK ON / EN / SUR R. R. POSITION / POSICION / POSITION	BK ON / EN / SUR R. R. POSITION / POSICION / POSITION
BR ON / EN / SUR R. F. POSITION / POSICION / POSITION	BR ON / EN / SUR R. F. POSITION / POSICION / POSITION

COLOR CODE / CODIGOS / CODE COULEUR

BL - BLUE / AZUL / BLEU

BK - BLACK / NEGRO / NOIR

W - WHITE / BLANCO / BLANC

O - ORANGE / NARANJA / ORANGE

BR - BROWN / MORENO / BRUN

G - GREEN / VERDE / VERT

R - RED / ROJO / ROUGE

CAUTION: DISCONNECT POWER BEFORE SERVICING UNIT.

ATENCIÓN: DESCONECTE LA ENERGIA ANTES DE REALIZAR EL MANTENIMIENTO DEL ELECTRODOMESTICO.

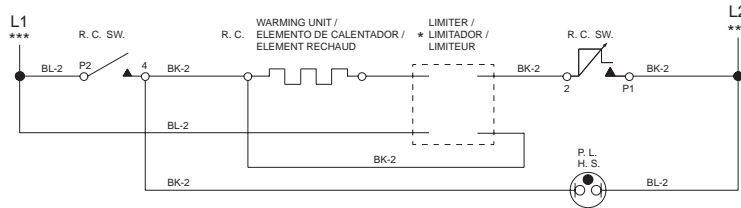
ATTENTION: COUPER LE COURANT AVANT D'EFFECTUER LA REPARATION.

387 6217 00 REV. B

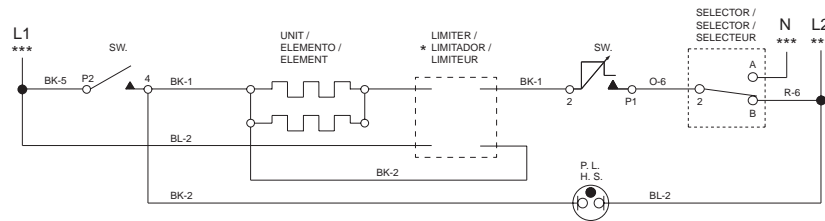
Page 1

WIRING DIAGRAM

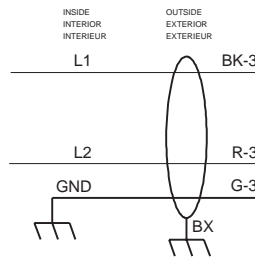
MODEL WITH WARMING ELEMENT / MODELO Y ELEMENTO DE CALENTADOR / MODELE AVEC ELEMENT RECHAUD



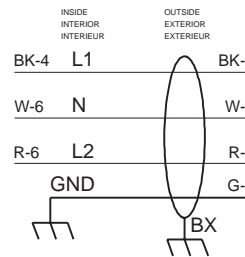
MODEL WITH REGULAR ELEMENT AND SELECTOR / MODELO Y ELEMENTO Y SELECTOR / MODELE AVEC ELEMENT REGULIER ET SELECTEUR



MODEL WITH OTHERS / OTROS MODELOS / AUTRE MODELES



MODEL WITH SIMMER SELECT / LOS MODELOS CON SELECTOR DE HIRVE A FUEGO LENTO / MODELE AVEC SELECTEUR MIJOTANT



REMARK: FOR CONNECTING THE PLATFORM SEE INSTALLATION SHEET OR USE AND CARE GUIDE.

NOTA: PARA CONECTAR LA PARRILLA DE COCINAR, VER LA HOJA DE INSTALACION O EL MANUAL DEL USUARIO.

REMARQUE: POUR BRANCHER LA TABLE DE CUISSON VOIR LE FEUILLET D'INSTALLATION OU LE MANUEL D'UTILISATION ET D'ENTRETIEN.

CAUTION: DISCONNECT POWER BEFORE SERVICING UNIT.

ATENCIÓN: DESCONECTE LA ENERGIA ANTES DE REALIZAR EL MANTENIMIENTO DEL ELECTRODOMESTICO.

ATTENTION: COUPER LE COURANT AVANT D'EFFECTUER LA REPARATION.

387 6217 00 REV. B

Page 2