

*Frigidaire*

Factory Parts Catalog

Product No.	GLEC36S8EB1	GLEC36S8EQ1	GLEC36S8ES1
Series	36" elec	36" elec	36" elec
Color	black	bisque	white
Market	North America	North America	North America
Wiring Diagram	387621700	387621700	387621700
Owner's Guide	318200612	318200612	318200612
Installation Instructions	318205403	318205403	318205403

 **Electrolux**

Electrolux Major Appliances  
 North & Latin America  
 P.O. BOX 212378  
 AUGUSTA, GA 30917

Publication No.  
**5995532834**  
 09/02/06  
 (EN/SERVICE/ECL)  
 377

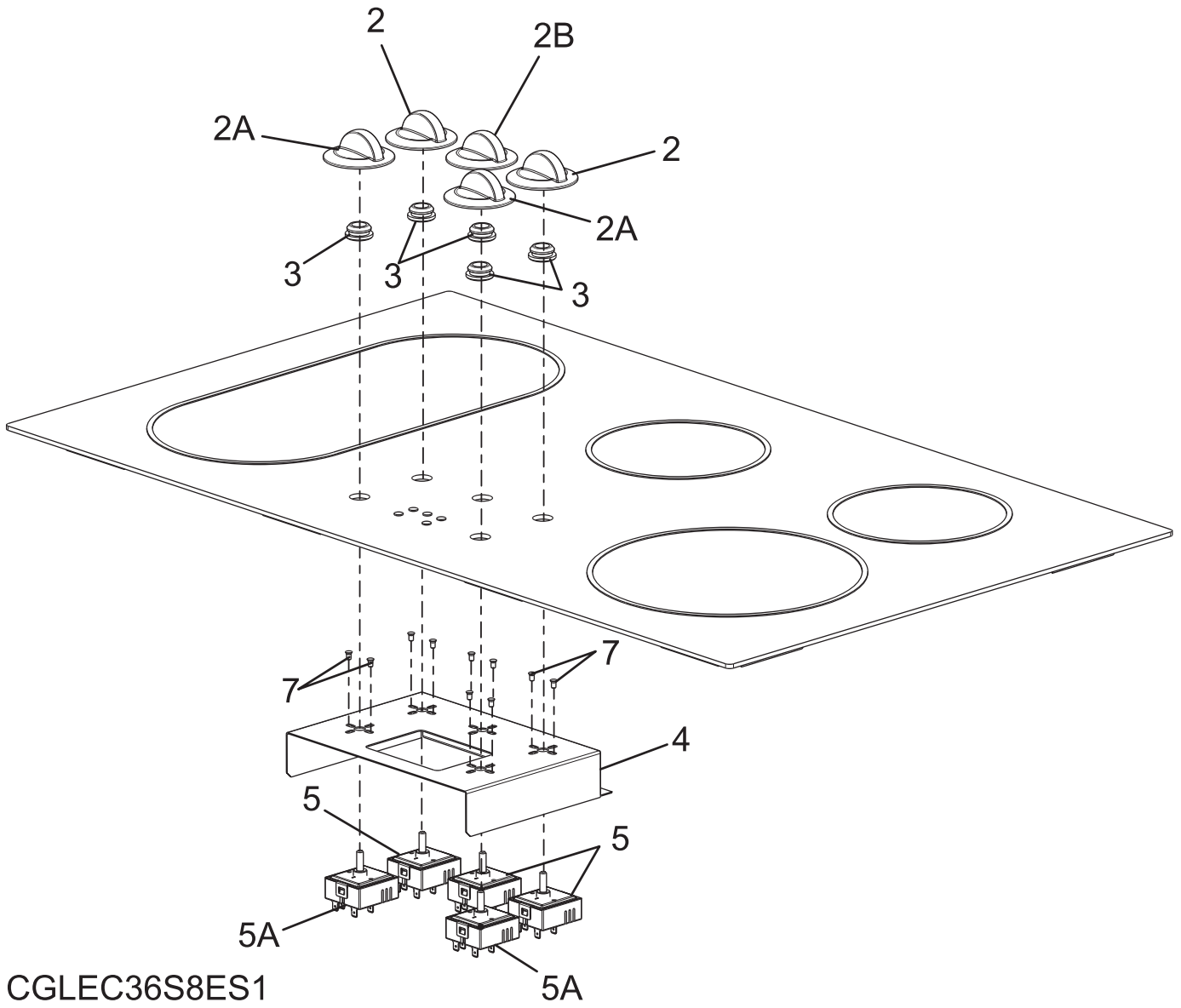
**36" ELECTRIC  
 COOK-TOP**

Model No.  
**GLEC36S8E**

Copyright © 2009 Electrolux Home Products, Inc.  
 All rights reserved.

**CONTROL PANEL**

---



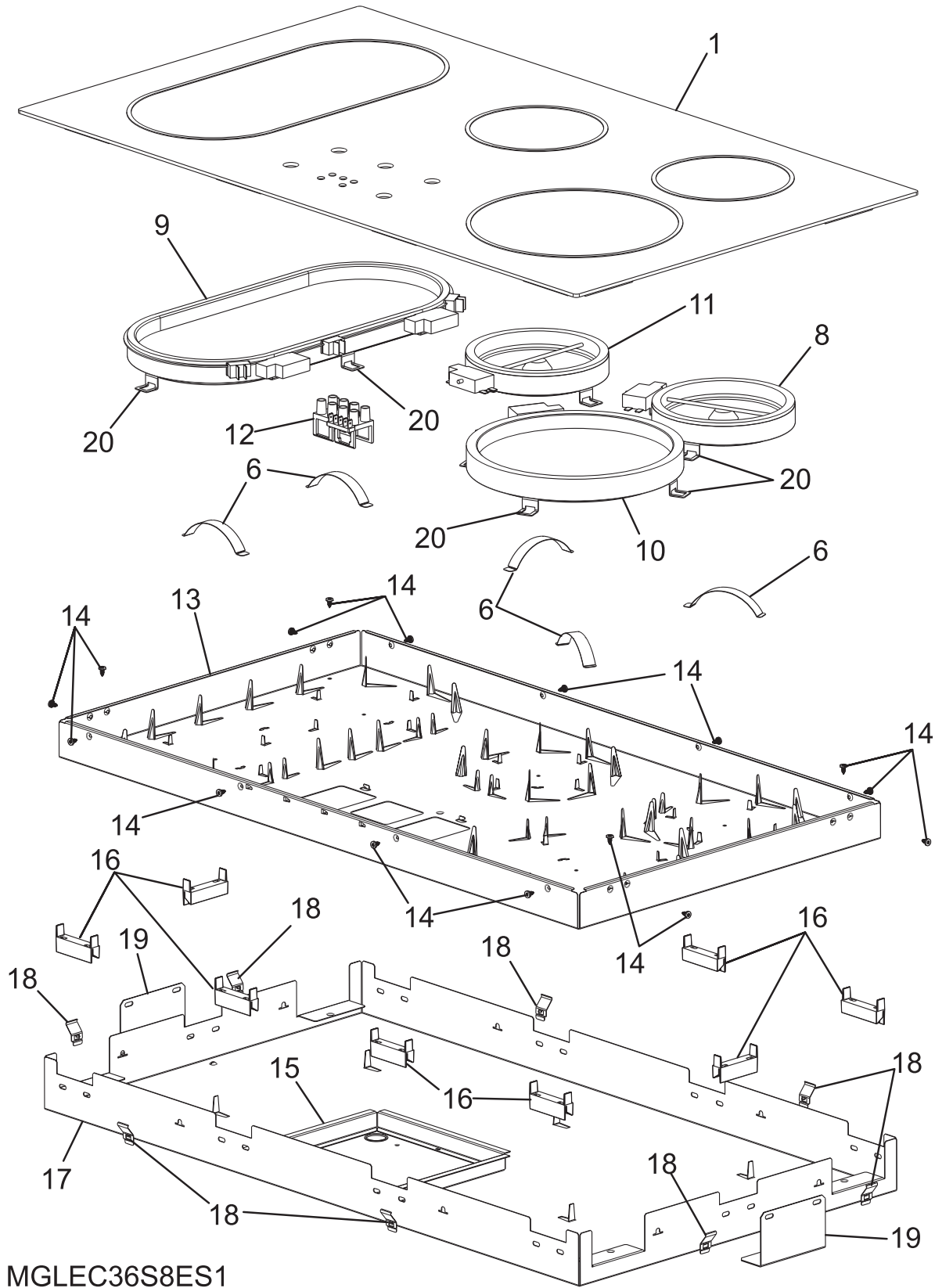
## CONTROL PANEL

---

*Model Index:*   A GLEC36S8E (GLEC36S8EB1)  
                       B GLEC36S8E (GLEC36S8EQ1)  
                       C GLEC36S8E (GLEC36S8ES1)

POS. NO	PART NO.		DESCRIPTION
2	318196634	A - -	Knob, control, black
2	318196635	- B -	Knob, control, bisque
2	318196633	- - C	Knob, control, white
2A	318196631	A - -	Knob, dual control, black
2A	318196632	- B -	Knob, dual control, bisque
2A	318196630	- - C	Knob, dual control, white
2B	318196637	A - -	Knob, warmer, black
2B	318196638	- B -	Knob, warmer, bisque
2B	318196636	- - C	Knob, warmer, white
3	387316100	A B C	Bushing, knob, sealing
4	387559800	A B C	Bracket, support, switch mtg.
5 #	305458905	A B C	Switch, surface element
5A #	305458904	A B C	Switch, surface element, dual
7	319224001	A B C	Screw, switch mtg., M4 x 7

MAIN TOP/SURFACE UNITS



---

**MAIN TOP/SURFACE UNITS**


---

*Model Index:* A GLEC36S8E (GLEC36S8EB1)  
 B GLEC36S8E (GLEC36S8EQ1)  
 C GLEC36S8E (GLEC36S8ES1)

POS. NO	PART NO.		DESCRIPTION
1	305379386	A - -	Maintop Assembly, glass/steel, black
1	305379385	- B -	Maintop Assembly, glass/steel, bisque
1	305379384	- - C	Maintop Assembly, glass/steel, white
6	387372900	A B C	Spring, surface element
8 #	374063522	A B C	Element, surface, 6", 1200W
9 #	305440415	A B C	Element, surface, 7", bridge
10 #	305440405	A B C	Element, surface, 6/9", 1200/2500W, dual
11 #	305440414	A B C	Element, warm zone, 6", 100W
12 #	387372700	A B C	Light Assembly, indicator, hot surface
13	387559100	A B C	Box, burner, inner
14	330447900	A B C	Screw, B4, 2 x 9, 5
15	387683600	A B C	Support, burner box
*	305351200	A B C	Rivet, 3, 2 x 6
16	387627600	A B C	Spacer, burner box, plastic
17	387559500	A B C	Box, burner, outer
18	387174602	A B C	Bracket, spring, cooktop mtg.
19	387627700	A B C	Bracket, retainer, cooktop
*	305376102	A B C	Screw
*	305309606	A B C	Screw
20	387683300	A B C	Bracket, surface element
*	305376101	A B C	Screw, bracket, surface element
* #	318078564	A B C	Box & wires assy
* #	387623200	A B C	Harness, wiring, main
*	305452800	A B C	Screw, ground

WIRING DIAGRAM

**MODEL WITH BRIDGE ELEMENT / MODELO Y ELEMENTO RADIANTE SUPERIOR DE PUENTE / MODELE AVEC ELEMENT PONT**

CODE / CODIGO / STYLE / ESTILO / STYLE CODE

CODE	GAUGE / MEDIDA	TEMP. CALIBRE	cUL	UL
1	16	200°C	UL3122 or UL3135	
2	20	200°C	UL3122 or UL3135	
3	10	150°C	3321	3321
4	12	150°C	3321	3321
5	14	150°C	3321	3321
6	16	150°C	3321	3321

\*\*\* NOTE: USE PAGE 2 FOR GAGE AND WIRE COLOR.  
 \*\*\* NOTA: UTILIZAR LA PAGINA 2 PARA EL CALIBRE Y EL COLOR DE LOS CABLES.  
 \*\*\* NOTE: UTILISER LA PAGE 2 POUR LE CALIBRE ET LA COULEUR DU FIL.

\* LIMITER / LIMITADOR / LIMITEUR CERAMASPEED / EIKA

\* LIMITER / LIMITADOR / LIMITEUR E. G. O. / A. K. O.

---

**MODEL WITH DOUBLE ELEMENT / MODELO Y ELEMENTO DE DOBLE / MODELE AVEC ELEMENT DOUBLE**

LEGEND 1 / LEYENDA 1 / LEGENDE 1

SW. - SWITCH INTERRUPTOR INTERRUPTEUR

P. L. - PILOT LIGHT LAMPARA PILOTO LAMPE TEMOIN

R. F. - RIGHT FRONT FRENTE DERECHO AVANT DROIT

R. R. - RIGHT REAR TRASERO DERECHO ARRIERE DROIT

L. F. - LEFT FRONT FRENTE IZQUIERDO AVANT GAUCHE

L. R. - LEFT REAR TRASERO IZQUIERDO ARRIERE GAUCHE

R. C. - REAR CENTER TRASERO CENTRO ARRIERE CENTRE

L. C. - LEFT CENTER CENTRO DE IZQUIERDO CENTRE GAUCHE

H. S. - HOT SURFACE SUPERFICIE CALIENTE SURFACE CHAUDE

---

**MODEL WITH REGULAR ELEMENT / MODELO Y ELEMENTO REGULARE / MODELE AVEC ELEMENT REGULIER**

LEGEND 2 / LEYENDA 2 / LEGENDE 2

MODEL WITH 4 UNITS / MODELO Y 4 ELEMENTOS / MODELE AVEC 4 ELEMENTS	MODEL WITH 5 UNITS / MODELO Y 5 ELEMENTOS / MODELE AVEC 5 ELEMENTS
BK ON / EN / SUR L. F. POSITION / POSICION / POSITION	BR ON / EN / SUR L. F. POSITION / POSICION / POSITION
W ON / EN / SUR L. R. POSITION / POSICION / POSITION	W ON / EN / SUR L. R. POSITION / POSICION / POSITION
BK ON / EN / SUR R. R. POSITION / POSICION / POSITION	BK ON / EN / SUR R. R. POSITION / POSICION / POSITION
BR ON / EN / SUR R. F. POSITION / POSICION / POSITION	BR ON / EN / SUR R. F. POSITION / POSICION / POSITION

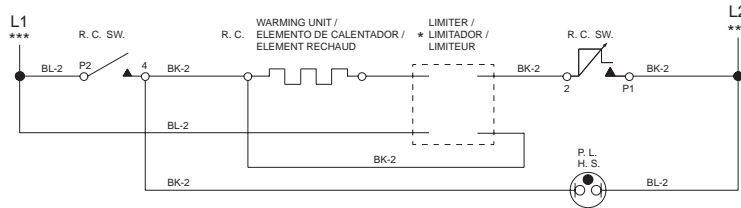
---

**CAUTION: DISCONNECT POWER BEFORE SERVICING UNIT.**  
**ATENCIÓN: DESCONECTE LA ENERGIA ANTES DE REALIZAR EL MANTENIMIENTO DEL ELECTRODOMESTICO.**  
**ATTENTION: COUPER LE COURANT AVANT D'EFFECTUER LA REPARATION.**

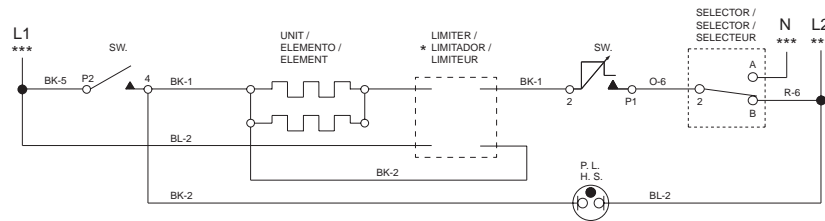
**387 6217 00 REV. B**  
**Page 1**

## WIRING DIAGRAM

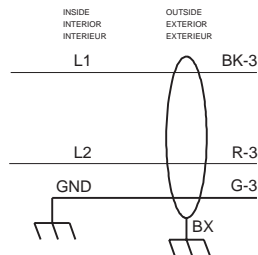
### MODEL WITH WARMING ELEMENT / MODELO Y ELEMENTO DE CALENTADOR / MODELE AVEC ELEMENT RECHAUD



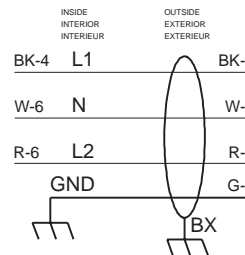
### MODEL WITH REGULAR ELEMENT AND SELECTOR / MODELO Y ELEMENTO Y SELECTOR / MODELE AVEC ELEMENT REGULIER ET SELECTEUR



### MODEL WITH OTHERS / OTROS MODELOS / AUTRE MODELES



### MODEL WITH SIMMER SELECT / LOS MODELOS CON SELECTOR DE HIRVE A FUEGO LENTO / MODELE AVEC SELECTEUR MIJOTANT



**REMARK:** FOR CONNECTING THE PLATFORM SEE INSTALLATION SHEET OR USE AND CARE GUIDE.

**NOTA:** PARA CONECTAR LA PARRILLA DE COCINAR, VER LA HOJA DE INSTALACION O EL MANUAL DEL USUARIO.

**REMARQUE:** POUR BRANCHER LA TABLE DE CUISSON VOIR LE FEUILLET D'INSTALLATION OU LE MANUEL D'UTILISATION ET D'ENTRETIEN.

**CAUTION:** DISCONNECT POWER BEFORE SERVICING UNIT.

**ATENCIÓN:** DESCONECTE LA ENERGIA ANTES DE REALIZAR EL MANTENIMIENTO DEL ELECTRODOMESTICO.

**ATTENTION:** COUPER LE COURANT AVANT D'EFFECTUER LA REPARATION.

387 6217 00 REV. B

Page 2