

GAS COOKTOP INSTALLATION INSTRUCTIONS

(Models with Optional Electric Built-In Oven Combination)



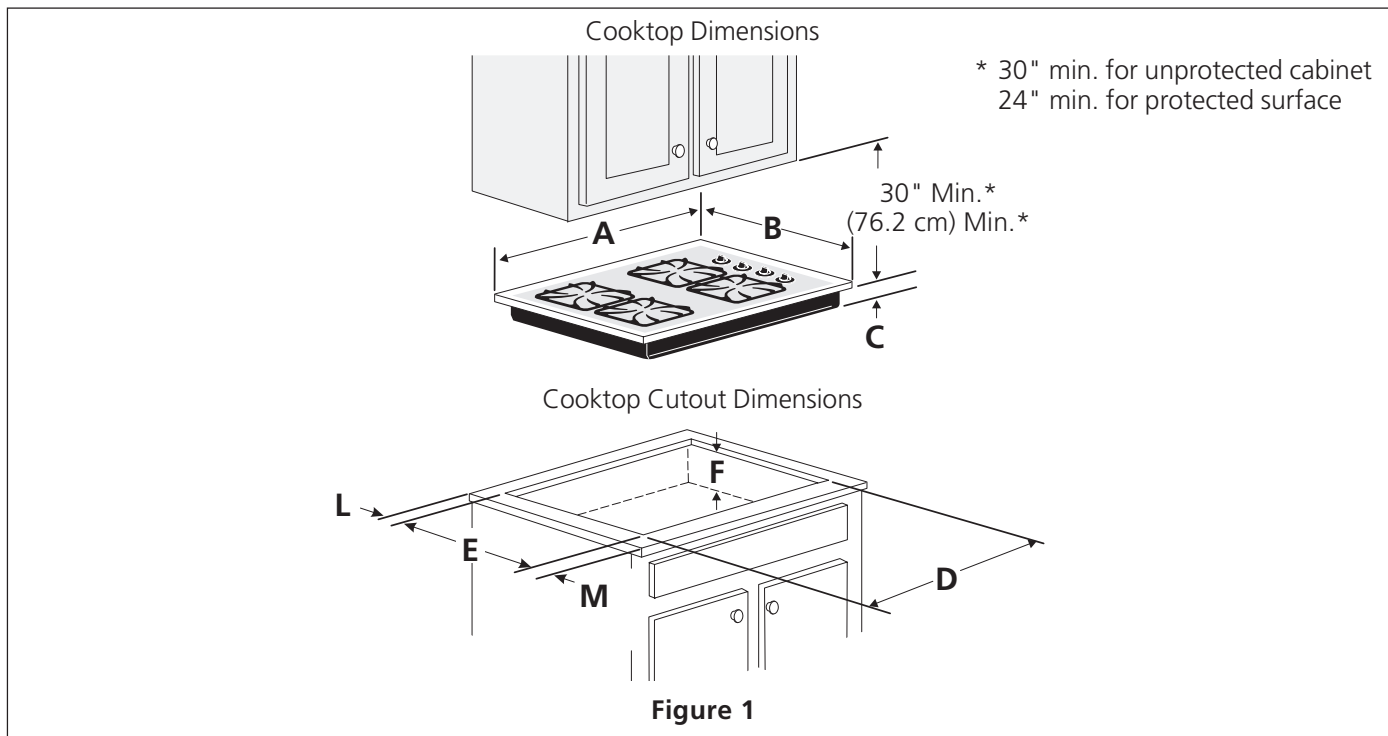
INSTALLATION AND SERVICE MUST BE PERFORMED BY A QUALIFIED INSTALLER.
IMPORTANT: SAVE FOR LOCAL ELECTRICAL INSPECTOR'S USE.
READ AND SAVE THESE INSTRUCTIONS FOR FUTURE REFERENCE.



⚠ WARNING If the information in this manual is not followed exactly, a fire or explosion may result causing property damage, personal injury or death.

FOR YOUR SAFETY:

- Do not store or use gasoline or other flammable vapors and liquids in the vicinity of this or any other appliance.
- **WHAT TO DO IF YOU SMELL GAS:**
 - Do not try to light any appliance.
 - Do not touch any electrical switch; do not use any phone in your building.
 - Immediately call your gas supplier from a neighbor's phone. Follow the gas supplier's instructions.
 - If you cannot reach your gas supplier, call the fire department.
- Installation and service must be performed by a qualified installer, service agency or the gas supplier.



MODEL	A. LENGTH	B. WIDTH	C. DEPTH	CUTOUT DIMENSIONS				F. DEPTH BELOW COOKTOP*	L (Min.)	M (Min.)
				MIN. D. LENGTH	MAX. D. LENGTH	MIN. E. WIDTH	MAX. E. WIDTH			
30" Models	30 (76.2)	21 ½ (54.6)	2¾ (7.0)	26 ⅝ (67.6)	26 ⅞ (68.3)	19 (48.3)	19 ⅜ (49.2)	5 (12.7)	2¾ (7)	2¼ (5.7)
36" X 21½" Models	36 (91.4)	21 ½ (54.6)	2¾ (7.0)	32 ¾ (83.2)	33 (83.8)	19 (48.3)	19 ⅜ (49.2)	5 (12.7)	2¾ (7)	2¼ (5.7)
36" X 18" Models	36 (91.4)	18 (45.7)	2¾ (7.0)	34 ¼ (87)	34 ⅜ (87.3)	16 ⅝ (42.2)	16 ¾ (42.5)	5 (12.7)	4¼ (10.8)	3 (7.6)

All dimensions are in inches (cm).

Dimension F is for clearance under cooktop for gas connection.

NOTE: Wiring diagrams for these appliances are enclosed in this booklet.

Only some models are available in Canada.

Printed in United States

P/N 318201463 (0508) Rev. A

English – pages 1-8

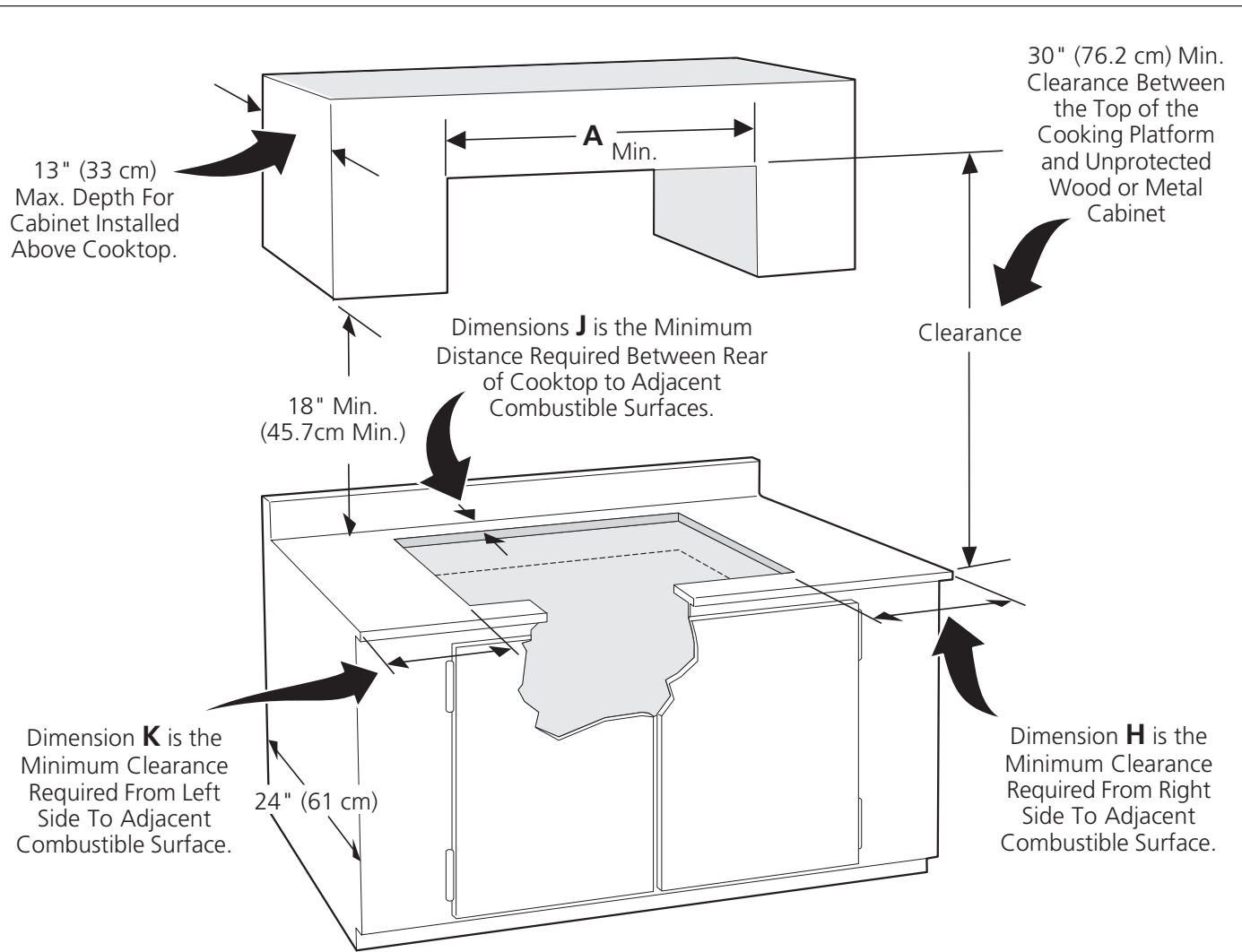
Español – pages 9-17

Français – pages 18-26

Wiring Diagrams - pages 27-28

GAS COOKTOP INSTALLATION INSTRUCTIONS

(Models with Optional Electric Built-In Oven Combination)



CAUTION To eliminate the risk of burns or fire by reaching over heated surfaces, cabinet storage space located above the cooktop should be avoided. If cabinet storage is provided, risk can be reduced by installing a range hood that projects horizontally a minimum of 5" (12.7 cm) beyond the bottom of the cabinets.

MODEL	H	J	K
30" Models	4" (10.2 cm)	1 ½" (3.8 cm)	7" (17.8 cm)
36" X 21½" Models	5" (12.7 cm)	1 ½" (3.8 cm)	5" (12.7 cm)
36" X 18" Models	3" (7.6 cm)	3 ¾" (9.5 cm)	3" (7.6 cm)

Figure 2 – COUNTERTOP CUTOUT OPENING

GAS COOKTOP INSTALLATION INSTRUCTIONS

(Models with Optional Electric Built-In Oven Combination)

Important Notes to the Installer

1. Read all instructions contained in these installation instructions before installing the cooktop.
2. Remove all packing material before connecting the electrical supply to the cooktop.
3. Observe all governing codes and ordinances.
4. Be sure to leave these instructions with the consumer.

Important Note to the Consumer

Keep these instructions with your Use and Care Guide for future reference.

IMPORTANT SAFETY INSTRUCTIONS

Installation of this cooktop must conform with local codes or, in the absence of local codes, with the National Fuel Gas Code ANSI Z223.1—latest edition in the United States, or in Canada, with the Canadian Fuel Gas Code, CAN/CGA B149 and CAN/CGA B149.2.

This cooktop has been design certified by American Gas Association (A.G.A.). As with any appliance using gas and generating heat, there are certain safety precautions you should follow. You will find them in the Use and Care Guide, read it carefully.

- **Be sure your cooktop is installed and grounded properly by a qualified installer or service technician.**
- **This cooktop must be electrically grounded in accordance with local codes or, in their absence, with the National Electrical Code ANSI/NFPA No. 70—latest edition in the United States, or in Canada, with the Canadian Electrical Code, CSA C22.1 Part 1.**
- **The burners can be lit manually during an electrical power outage. To light a burner, hold a lit match to the burner head, then slowly turn the Surface Control knob to LITE. Use caution when lighting burners manually.**
- **Do not store items of interest to children in the cabinets above the cooktop.** Children could be seriously burned climbing on the cooktop to reach items.
- **To eliminate the need to reach over the surface burners, cabinet storage space above the burners should be avoided.**
- **Adjust surface burner flame size so it does not extend beyond the edge of the cooking utensil.** Excessive flame is hazardous.
- **Never use your cooktop for warming or heating the room.** Prolonged use of the cooktop without adequate ventilation can be hazardous.

- **Do not store or use gasoline or other flammable vapors and liquids near this or any other appliance.** Explosions or fires could result.

⚠ WARNING The electrical power to the cooktop must be shut off while line connections are being made. Failure to do so could result in serious injury or death.

1. Before Installing the Cooktop

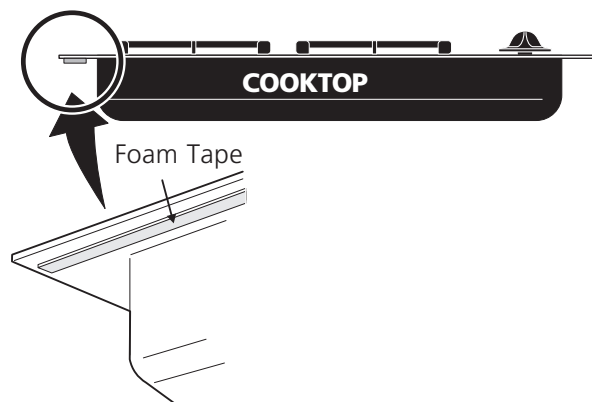


Figure 3

A roll of foam tape is supplied loose and packed in the literature package. Install the foam around the perimeter of the flange of the burner box, at a distance of ¼" (0.6 cm) from the edge of the glass or porcelain top. Apply the exposed adhesive side of the tape against the underside of the glass or the burner box surface (see figure 3).

NOTE: This tape seals the underside of the cooktop to the counter. **Do not remove this foam tape.** This tape prevents entry of air for normal gas combustion, and prevents liquids from leaking under the cooktop.

After inserting the cooktop into the countertop opening, make sure the unit is sitting on the metal flange around the top of the burner box. Cooktop must not sit on the glass or porcelain top. Avoid cutting an oversized hole in the countertop.

GAS COOKTOP INSTALLATION INSTRUCTIONS

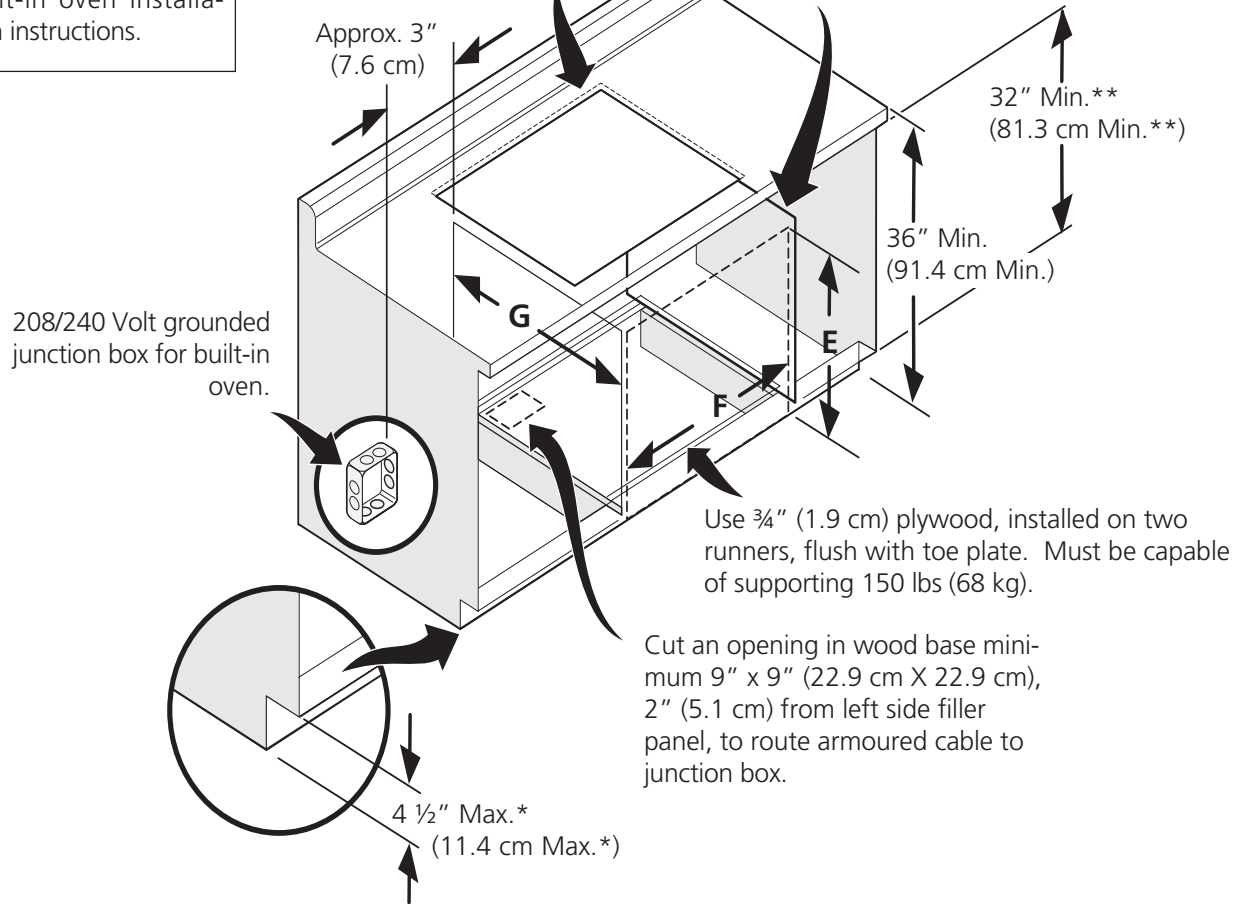
(Models with Optional Electric Built-In Oven Combination)

⚠ WARNING

All mounting hardware must be used to secure the built-in oven to the cabinets. Refer to the built-in oven installation instructions.

This cooktop may be installed over certain built-in electric oven models.

Side filler panels are necessary to isolate the unit from adjoining cabinets. Panel height should allow for installation of approved cooktop models. See "Typical Gas Cooktop Installation Over an Electric Built-in Oven Installed Under the Counter" in this booklet.



- * If no cooktop is installed directly over the oven unit, 5" (12.7 cm) maximum is allowed.
- ** 32" (81.3 cm) min. from top of cabinet to top of runners must be maintained.

CUTOUT DIMENSIONS			
MODEL	E. HEIGHT	F. WIDTH	G. DEPTH
27" (68.6 cm) Wall Oven	28 1/8" (71.4 cm) Min. 28 5/8" (72.7 cm) Max.	24 7/8" (63.2 cm) Min. 25 1/4" (64.1 cm) Max.	23 1/2" (59.7 cm)
30" (76.2 cm) Wall Oven	28 1/4" (71.8 cm) Min. 28 7/8" (73.3 cm) Max.	28 1/2" (72.4 cm) Min. 29" (73.7 cm) Max.	24" (61 cm)

Figure 4 – TYPICAL UNDER COUNTER INSTALLATION OF AN ELECTRIC BUILT-IN OVEN WITH COOKTOP MOUNTED ABOVE

GAS COOKTOP INSTALLATION INSTRUCTIONS

(Models with Optional Electric Built-In Oven Combination)

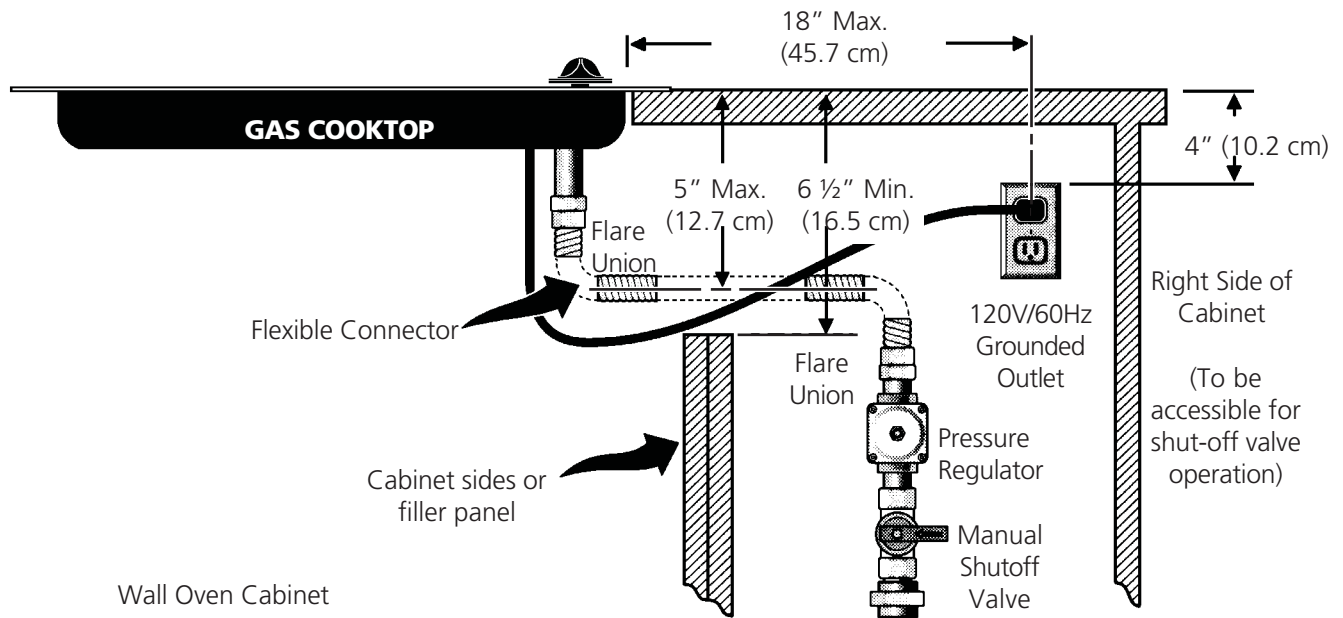
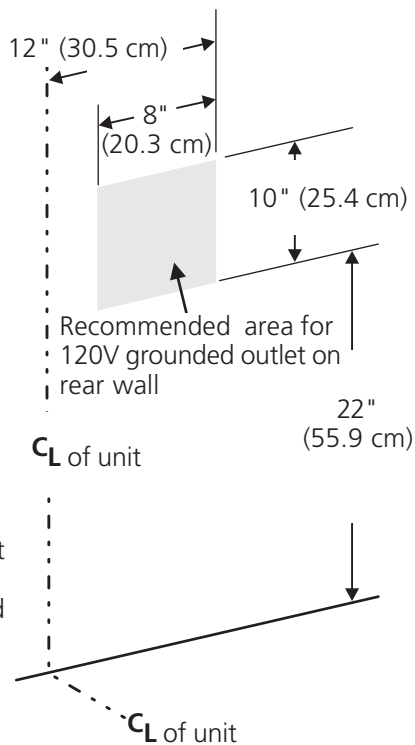


Figure 5 – TYPICAL GAS COOKTOP INSTALLATION OVER AN ELECTRIC BUILT-IN OVEN INSTALLED UNDER THE COUNTER

2. Wall Outlet Location



NOTE: If an outlet is not available, have one installed by a qualified technician.

Figure 6

3. Clamp Down Information

Once the cooktop is installed in the counter opening, you must clamp the unit down as shown.

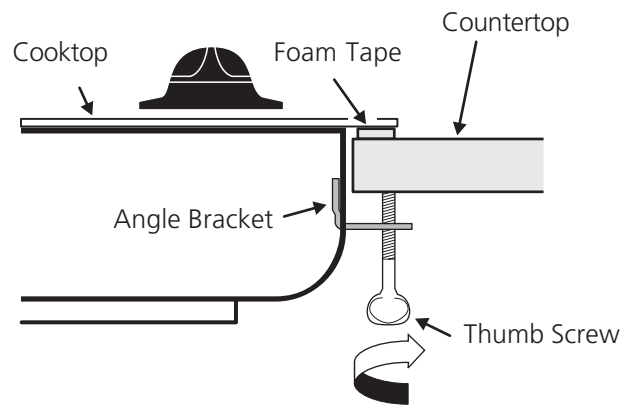


Figure 7

To clamp down, insert the bracket with the offset side of the angle into the slots on each side of the unit. The thumb screw should then be run through the bracket, up against the bottom of the counter. Tighten until the unit draws down.

GAS COOKTOP INSTALLATION INSTRUCTIONS

(Models with Optional Electric Built-In Oven Combination)

4. Provide an Adequate Gas Supply

This cooktop is designed to operate on natural gas at 4" (10.2 cm) of manifold pressure only.

A pressure regulator is connected in series with the manifold on the cooktop and must remain in series with the supply line.

For proper operation, the maximum inlet pressure to the regulator must be no more than 14" (35.6 cm) of water column (W.C.) pressure.

For checking the regulator, the inlet pressure must be at least 1" (2.5 cm) (or 2.5 kPa) greater than the regulator manifold pressure setting. The regulator is set for 4" (10.2 cm) of manifold pressure, the inlet pressure must be at least 5" (12.7 cm).

The gas supply line to the cooktop should be ½" (1.3 cm) or ¾" (7.9 cm) pipe.

5. LP/Propane Gas Conversion

This appliance can be used with Natural gas or LP/Propane gas. It is shipped from the factory for use with natural gas.

If you wish to convert your cooktop for use with LP/Propane gas, use the supplied fixed orifices in the package containing the installation Instructions Manual, in a bag marked "FOR LP/PROPANE GAS CONVERSION". Follow the installation instructions packaged with the orifices.

The conversion must be performed by a qualified service technician in accordance with the manufacturer's instructions and all local codes and requirements of the authority having jurisdiction. Failure to follow instructions could result in serious injury or property damage. The qualified agency performing this work assumes responsibility for the conversion.

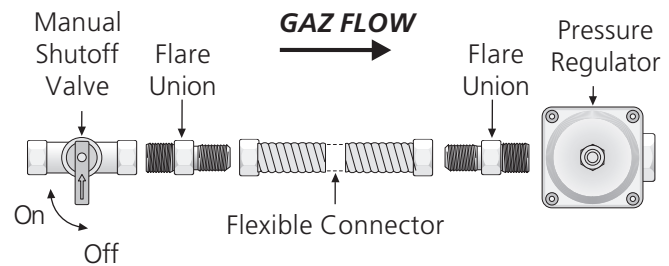
WARNING Failure to make the appropriate conversion can result in personal injury and property damage.

Important: Remove all packing material and literature from cooktop before connecting gas and electrical supply to cooktop.

6. Install Pressure Regulator

Install the pressure regulator with the arrow on the regulator pointing up toward the unit in a position where you can reach the access cap.

WARNING FIRE HAZARD. Do not make the connection too tight. The regulator is die cast. Overtightening may crack the regulator resulting in a gas leak and possible fire or explosion.



All connections must be wrench-tightened

Figure 8

Assemble the flexible connector from the gas supply pipe to the pressure regulator in order: 1- manual shutoff valve, 2- ½" nipple, 3- ½" flare union adapter, 4- flexible connector, 5- ½" flare union adapter, 6- ½" nipple, pressure regulator.

Use pipe-joint compound made for use with Natural and LP/Propane gas to seal all gas connections. If flexible connectors are used, be certain connectors are not kinked.

The supply line should be equipped with an approved shutoff valve. This valve should be located in the same room as the cooktop and should be in a location that allows ease of opening and closing. Do not block access to the shutoff valve. The valve is for turning on or shutting off gas to the appliance.

To Appliance

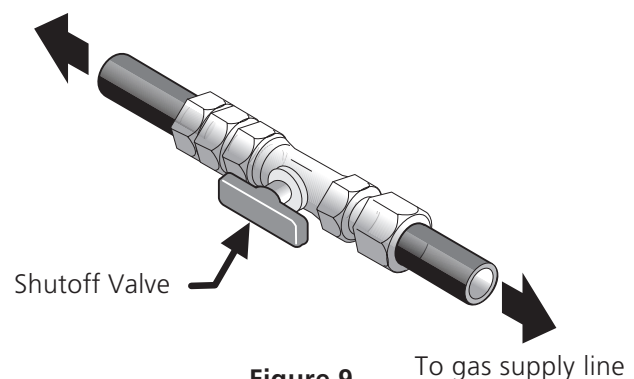


Figure 9

Open the shutoff valve in the gas supply line. Wait a few minutes for gas to move through the gas line.

GAS COOKTOP INSTALLATION INSTRUCTIONS

(Models with Optional Electric Built-In Oven Combination)

Check for leaks. Leak testing of the appliance shall be conducted according to the manufacturer's instructions. After connecting the cooktop to the gas supply, check the system for leaks with a manometer. If a manometer is not available, turn on the gas supply and use a liquid leak detector (or soap and water) at all joints and connections to check for leaks.

⚠ WARNING Do not use a flame to check for leaks from gas connections. Checking for leaks with a flame may result in a fire or explosion.

Tighten all connections if necessary to prevent gas leakage in the cooktop or supply line.

Check alignment of valves after connecting the cooktop to the gas supply to be sure the cooktop manifold pipe has not been moved.

Disconnect this cooktop and its individual shutoff valve from the gas supply piping system during any pressure testing of that system at test pressures greater than ½ psig (3.5 kPa or 14" (35.6 cm) water column).

Isolate the cooktop from the gas supply piping system by closing its individual manual shutoff valve during any pressure testing of the gas supply piping system at test pressures equal to or less than ½ psig (3.5 kPa or 14" (35.6 cm) water column).

7. Connect Electricity to Gas Cooktop

Electrical Requirements

120 volt, 60 Hertz, properly grounded branch circuit protected by a 15 amp circuit breaker or time delay fuse. **Do not use an extension cord with this cooktop.**

Grounding Instructions

IMPORTANT Please read carefully.

For personal safety, this appliance must be properly grounded.

The power cord of this appliance is equipped with a 3-prong (grounding) plug which mates with a standard 3-prong grounding wall receptacle (see Figure 8) to minimize the possibility of electric shock hazard from the appliance.

The wall receptacle and circuit should be checked by a qualified electrician to make sure the receptacle is properly grounded.

Preferred Method

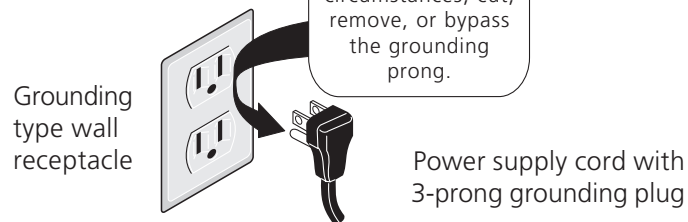


Figure 10

Where a standard 2-prong wall receptacle is installed, it is the personal responsibility and obligation of the consumer to have it replaced by a properly grounded 3-prong wall receptacle.

Do not, under any circumstances, cut or remove the third (ground) prong from the power cord.

⚠ CAUTION Disconnect electrical supply cord from wall receptacle before servicing cooktop.

8. Check Operation

Refer to the Use and Care Guide packaged with the cooktop for operating instructions and for care and cleaning of your cooktop.

Do not touch the burners. They may be hot enough to cause burns.

1. Install Burner Caps

This cooktop is equipped with sealed burners as shown (see Figure 11).

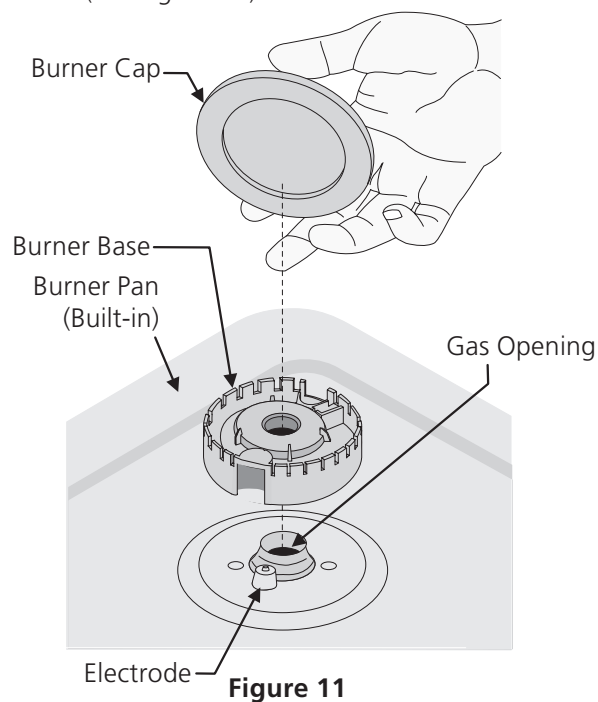


Figure 11

GAS COOKTOP INSTALLATION INSTRUCTIONS

(Models with Optional Electric Built-In Oven Combination)

- A. Unpack burner bases and caps.
- B. Place burner base over each gas opening tube.
- C. Make sure the burner is properly aligned and leveled. Place burner cap over each burner base.

NOTE: There are no burner adjustments necessary on this cooktop.

2. Turn on Electrical Power and Open Main Shutoff Gas Valve

3. Check the Igniters

Operation of electric igniters should be checked after cooktop and supply line connectors have been carefully checked for leaks and the cooktop has been connected to electric power.

To operate the surface burner:

- A. Push in and turn a surface burner knob to the LITE position. You will hear a little ticking noise; this is the sound of the electric ignitor which lights the burner.
- B. After the burner lights, turn to the desired flame size. The controls do not have to be set at a particular mark. Use the marks as a guide and adjust the flame as needed.

4. Adjust the "LO" or "SIMMER" Setting of Surface Burner Valves (see Figure 12)

Push in and turn each control knob to the "LO" (or "SIMMER") setting. The "LO" setting of each burner has been set at the factory to the lowest setting available to provide reliable reignition of the burner. If it does not stay lit on the "LO" setting, check the setting as follows.

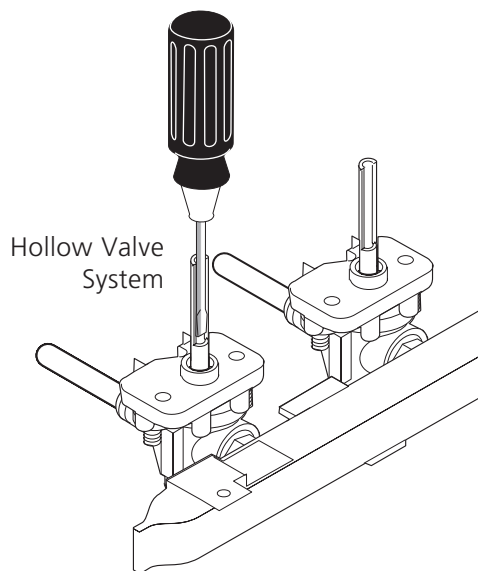


Figure 12

- A. Allow cooktop to cool to room temperature.
- B. Light all burners by turning each control knob to LITE until burners ignite, and then set them at "HI".
- C. Quickly turn the knob to the LOWEST POSITION.
- D. If burner goes out, readjust valve as follows: Remove the surface burner control knob, insert a thin-bladed screw driver into the hollow valve stem and engage the slotted screw inside. Flame size can be increased or decreased with the turn of the screw. Adjust flame until you can quickly turn knob from HI to LOWEST POSITION without extinguishing the flame. Flame should be as small as possible without going out.
- E. If you need to adjust another burner, repeat the steps from A to D above until all burners operate properly.

When All Hookups are Complete

Make sure all controls are left in the OFF position.

Make sure the flow of combustion and ventilation air to the cooktop is unobstructed.

Model and Serial Number Location

The serial plate is located on the underside of the cooktop.

When ordering parts for or making inquiries about your range, always be sure to include the model and serial numbers and a lot number or letter from the serial plate of your cooktop.

Your serial plate also tells you the rating of the burners, the type of fuel and the pressure the cooktop was adjusted for when it left the factory.

Before You Call for Service

Read the Avoid Service Checklist and operating instructions in your [Use and Care Guide](#).

Check to make sure the house fuse or circuit breaker for your cooktop are not blown or open.

INSTRUCCIONES DE INSTALACION PARA PLANCHA DE COCINAR A GAS

(Modelos con un horno eléctrico empotrado facultativo)



LA INSTALACIÓN Y EL SERVICIO DEBEN SER REALIZADOS POR UN
INSTALADOR CALIFICADO.

IMPORTANTE: GUARDE ESTAS INSTRUCCIONES PARA USO DEL
INSPECTOR ELÉCTRICO LOCAL.

LEA Y GUARDE ESTAS INSTRUCCIONES PARA FUTURAS REFERENCIA

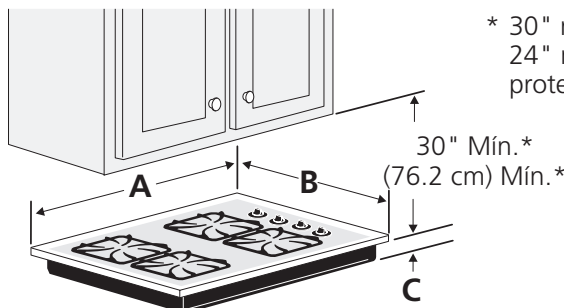


ADVERTENCIA Si todas las instrucciones de éste manual no son observadas a la letra, se puede ocurrir incendios o explosiones que pueden causar daños materiales, lesiones o la muerte.

PARA SU SEGURIDAD:

- No almacene o utilice gasolina u otros vapores y líquidos inflamables cerca de éste o cualquier otro artefacto.
- **QUE HACER SI HAY FUGAS DE GAS**
 - No intente de encender ningún artefacto
 - No toque ningún interruptor eléctrico; no utilice ningún aparato telefónico en su edificio.
 - Llame inmediatamente el abastecedor de gas desde el teléfono de un vecino. Siga las instrucciones del abastecedor de gas.
 - En caso que no puede contactar el abastecedor de gas llame al departamento de bomberos.
- La instalación y el servicio telefónico deben ser realizados por un instalador calificado, por un servicio técnico certificado o por el abastecedor de gas.

Dimensiones de la plancha de cocinar a gas



* 30" mín. para un armario protegido.
24" mín. para una superficie no protegida.

Dimensiones del hueco para la plancha de cocinar a gas

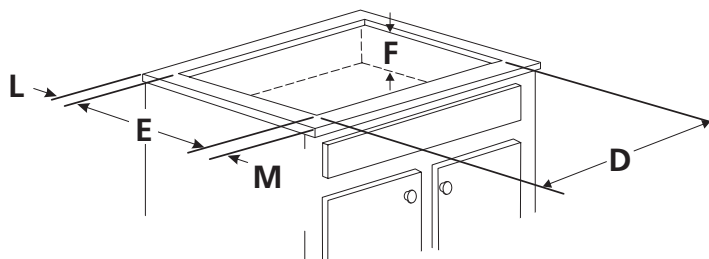


Figura 1

MODELO	A. ALTURA	B. ANCHURA	C. PROFUNDIDAD	DIMENSIONES DEL HUECO				F. PROFUNDIDAD POR DEBAJO DE LA PLANCHA DE COCINAR	L (Mín.)	M (Mín.)
				MÍN. D. ALTURA	MÁX.	MÍN. E. ANCHURA	MÁX.			
30" Models	30 (76.2)	21 ½ (54.6)	2¾ (7.0)	26 ⅝ (67.6)	26 ⅞ (68.3)	19 (48.3)	19 ⅜ (49.2)	5 (12.7)	2¾ (7)	2¼ (5.7)
36" X 21½" Models	36 (91.4)	21 ½ (54.6)	2¾ (7.0)	32 ¾ (83.2)	33 (83.8)	19 (48.3)	19 ⅜ (49.2)	5 (12.7)	2¾ (7)	2¼ (5.7)
36" X 18" Models	36 (91.4)	18 (45.7)	2¾ (7.0)	34 ¼ (87)	34 ⅜ (87.3)	16 ⅝ (42.2)	16 ¾ (42.5)	5 (12.7)	4¼ (10.8)	3 (7.6)

Todas las dimensiones se dan en pulgadas (cm).

La dimensión F esté por debajo de la plancha de cocinar para la conexión de la línea de suministro de gas.

NOTA: Se adjunta los diagramas de cables de esta plancha de cocinar con el libreta.

Solamente algunos modelos están disponibles en Canadá.

Imprimido en los Estados Unidos

P/N 318201463 (0508) Rev. A

English – pages 1-8

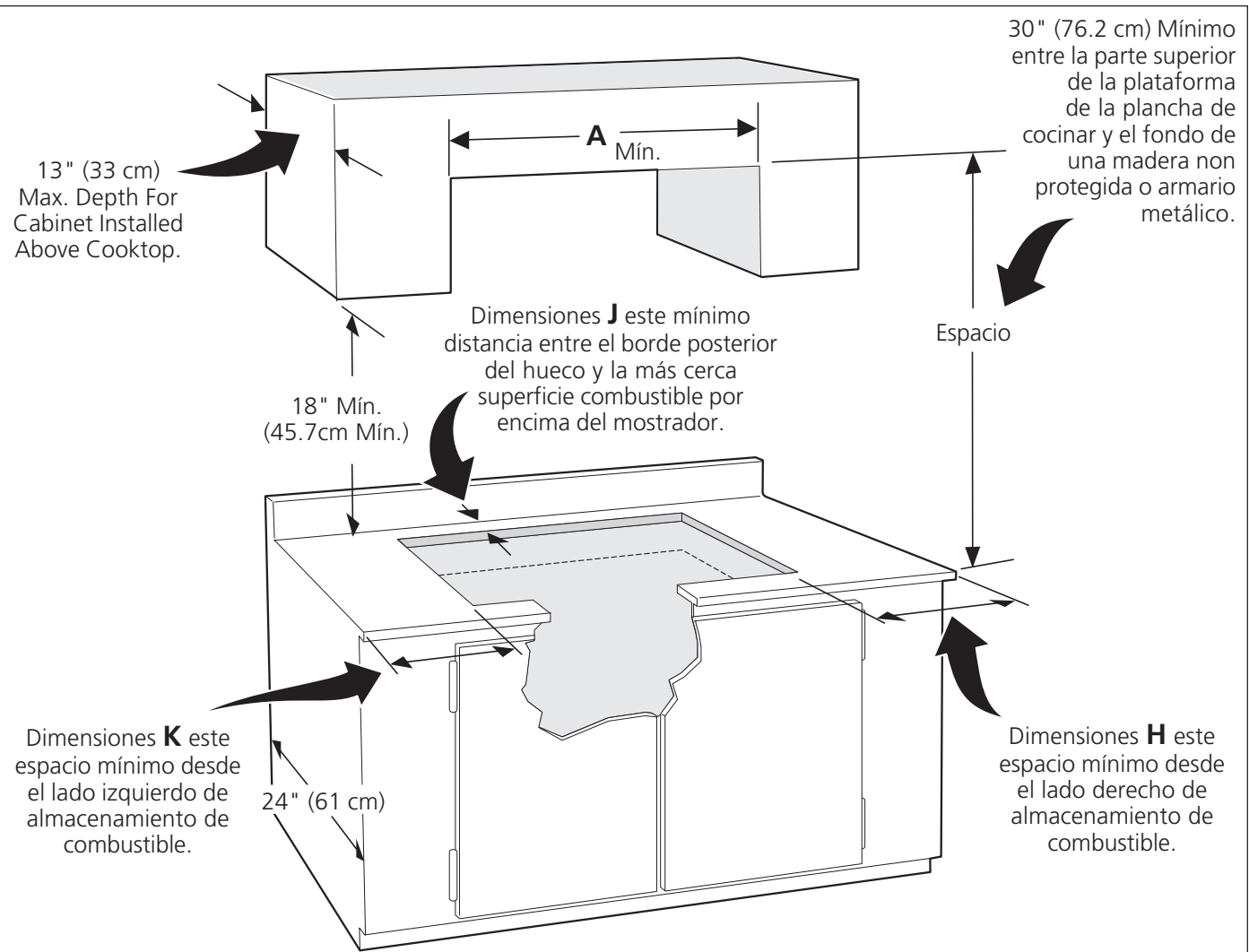
Español – pages 9-17

Français – pages 18-26

Diagrama de la instalación alámbrica - pages 27-28

INSTRUCCIONES DE INSTALACION PARA PLANCHA DE COCINAR A GAS

(Modelos con un horno eléctrico empotrado facultativo)



⚠ PRECAUCION Para eliminar el riesgo de alargarse sobre las unidades en calentamiento de la superficie, debería evitarse el espacio de almacenamiento del armario, ubicado sobre las unidades de la superficie. Si se cuenta con este espacio, se puede disminuir el peligro instalando una cubierta de cocina que se extienda horizontalmente en 5" (12.7 cm) mínimo por sobre la parte inferior delantera en los armarios.

MODEL	H	J	K
Modelos 30"	4" (10.2 cm)	1 ½" (3.8 cm)	7" (17.8 cm)
Modelos 36" X 21½"	5" (12.7 cm)	1 ½" (3.8 cm)	5" (12.7 cm)
Modelos 36" X 18"	3" (7.6 cm)	3 ¾" (9.5 cm)	3" (7.6 cm)

Figura 2 – DESEÑO DEL ARMARIO

INSTRUCCIONES DE INSTALACION PARA PLANCHA DE COCINAR A GAS

(Modelos con un horno eléctrico empotrado facultativo)

Notas importantes para el instalador:

1. Lea todas las instrucciones de instalación antes de realizar la instalación de la plancha de cocinar.
2. Retire todos los artículos de embalaje antes de realizar las conexiones eléctricas a la plancha de cocinar.
3. Observe todos los códigos o reglamentos estatales.
4. Asegúrese que el consumidor tenga estas instrucciones.

Notas importantes para el consumidor

Guarde todas las instrucciones con su manual del usuario para futuras referencias.

INSTRUCCIONES DE SEGURIDAD IMPORTANTES

La instalación de esta plancha de cocinar debe realizarse en conformidad con los códigos locales o, si estos no existen, con el National Fuel Gas Code ANSI Z223.1 - última edición en los Estados Unidos, o en Canada, con el Canadian Fuel Gas Code, CAN/CGA B149 y CAN/CGA B149.2.

El diseño de esta plancha de cocinar cuenta con la aprobación de la American Gas Association (A.G.A.). Al igual que todos los artefactos a gas que generan calor, deben seguirse ciertas medidas de seguridad. Vienen con el [Manual del Usuario](#). Lea atentamente el manual.

- **Asegúrese que la plancha de cocinar sea instalada y puesta a tierra correctamente por un instalador o técnico calificado.**
- **La plancha de cocinar debe conectarse eléctricamente a tierra de acuerdo con los códigos locales o, de no existir, con el código eléctrico ANSI/NFPA No. 70 - última edición en los Estados Unidos, or in Canada, con el Canadian Electrical Code, CSA C22.1 Parte 1.**
- **Los quemadores pueden encenderse manualmente durante una interrupción del suministro eléctrico. Para encender un quemador, mantenga un fósforo encendido en el extremo del quemador, luego gire suavemente la perilla hasta LITE (encendido). Tenga cuidado al encender los quemadores en forma manual.**
- **No deje artículos que interesan los niños en los armarios que están sobre la la plancha de cocinar.** Les podría causar quemaduras graves si intentan subirse para alcanzarlos.
- **Para eliminar el riesgo de extender por encima de los quemadores superiores, debería evitar el espacio de almacenamiento del armario, localizado por encima de estos quemadores**
- **Gradue el tamaño de la llama de modo que no sobrepase el borde del utensilio de cocina.** Demasiada llama es peligrosa.

- **No utilice jamás la cocina como calefactor.** El uso prolongado de la cocina sin la ventilación adecuada puede ser peligroso.
- **Mantenga el área cerca de este artefacto o de cualquier otro artefacto despejada de sustancias combustibles, gasolina y otros líquidos inflamables.** Se puede ocurrir incendios o explosiones.

⚠ ADVERTENCIA El suministro eléctrico a la plancha de cocinar debe de ser cerrado durante las conexiones a la línea. De lo contrario se puede resultar lesiones graves o la muerte.

1. Antes de instalar la plancha para cocinar



Figura 3

La plancha para cocinar incluye una cinta adhesiva de esponja que se encuentra en el empaque de instrucciones. Instale esta cinta adhesiva alrededor del perímetro del contorno de la caja del quemador, a una distancia de ¼" (0.6 cm) del borde exterior del plancha de cocinar. Aplique el lado de la cinta con la adhesiva contra la parte inferior de la superficie del plancha de cocinar (ver la figura 3).

NOTA: Esta cinta adhesiva sella la superficie de abajo de la cocina al mostrador. **No retire esta cinta adhesiva de esponja.** Dicha cinta adhesiva evita la entrada de aire de la combustión normal de gas y evita el derrame de líquidos debajo de la plancha de cocinar.

Después de haber introducir la plancha de cocinar dentro de la abertura asegúrese que el artefacto está soportado por la base metálica que rodea la parte superior de la caja del quemador. La plancha de cocinar no debe apoyarse contra la parte superior. Evite cortar un agujero demasiado grande en el mostrador.

INSTRUCCIONES DE INSTALACION PARA PLANCHA DE COCINAR A GAS

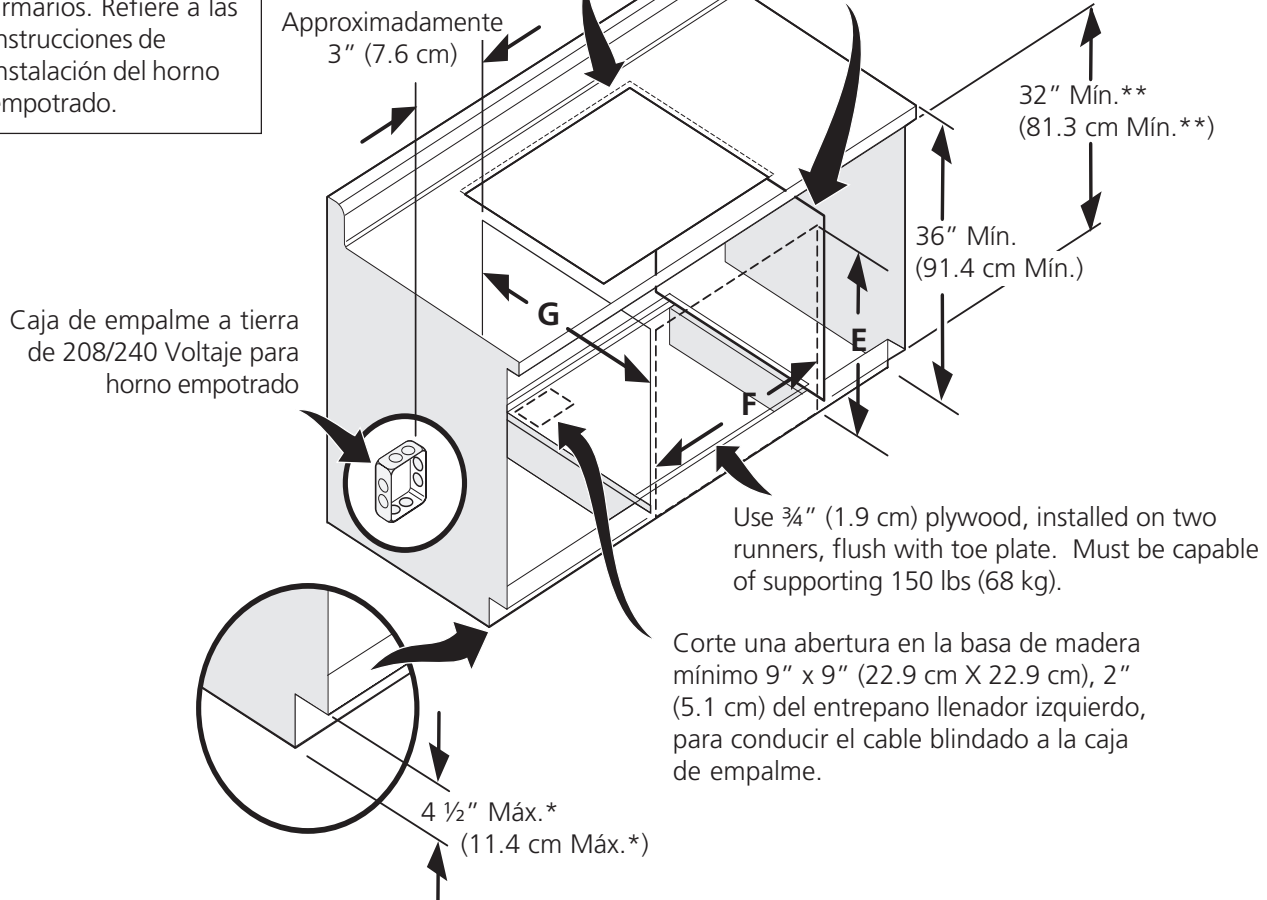
(Modelos con un horno eléctrico empotrado facultativo)

PRECAUCION

Todas las fijaciones de montaje deben de estar utilizadas para sujetar el horno empotrado a los armarios. Refiere a las instrucciones de instalación del horno empotrado.

Esta plancha de cocinar puede instalarse por encima de algunos modelos de horno eléctrico empotrado.

Entrepaños llenador de lados son necesarios para aislar el aparato de los armarios adyacentes. La altura de panel debe de permitir la instalación de modelos de planchas de cocinar aprobantes. Ver "instalación típica de plancha de cocinar a gas por encima de un horno eléctrico empotrado instalado debajo del mostrador" con el libreta.



* Si no hay plancha de cocinar instalada directamente sobre el aparato, un máximo de 5" (12.7 cm) está permitido.

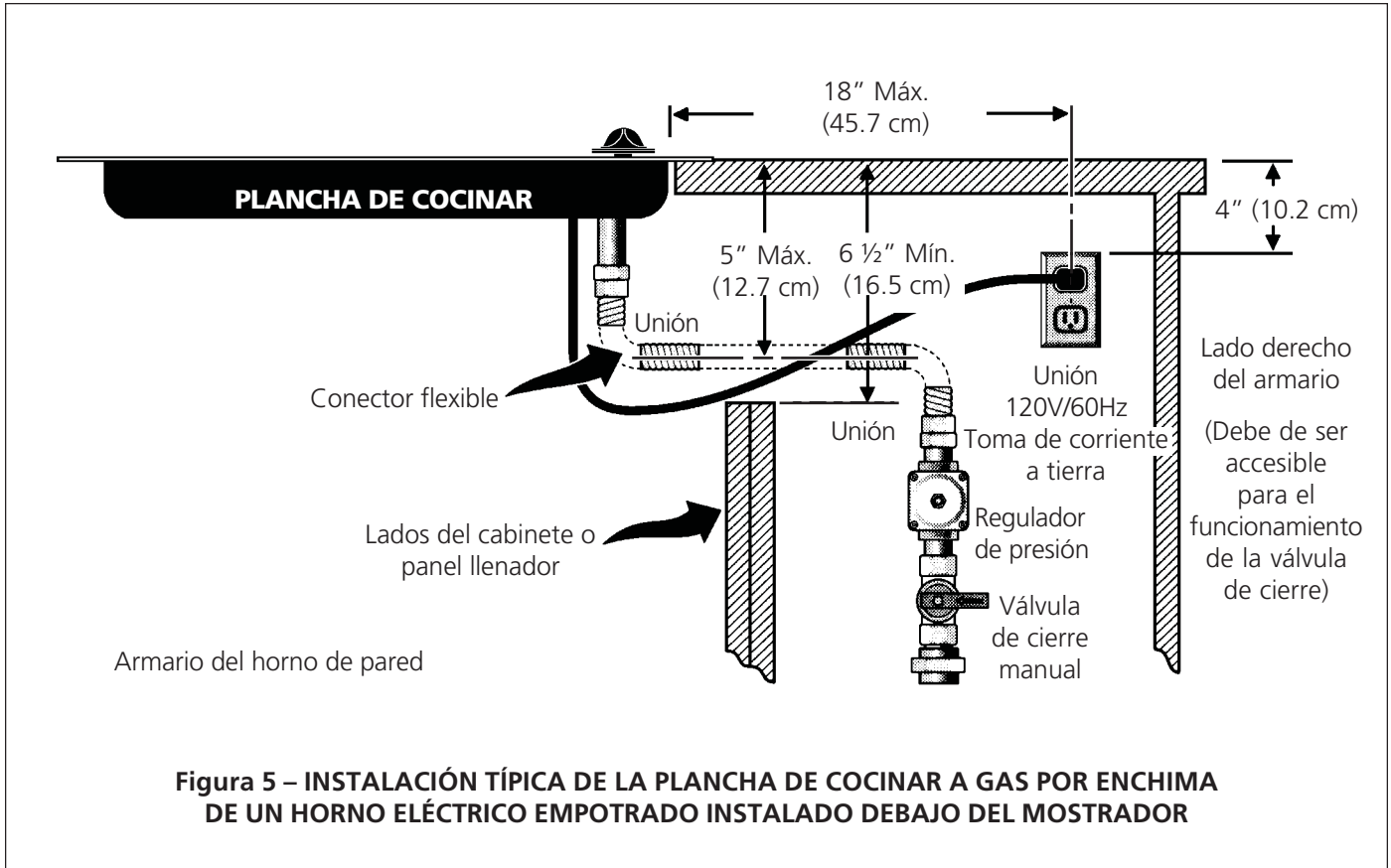
** Un mínimo de 32" (81.3 cm) desde la parte superior del armario hasta la parte superior de las ruedas debe de ser mantenido.

DIMENSIONES DEL HUECO			
MODELO	E. ALTURA	F. ANCHURA	G. PROFUNDIDAD
27" (68.6 cm) Horno de pared	28 1/8" (71.4 cm) Mín. 28 5/8" (72.7 cm) Máx.	24 7/8" (63.2 cm) Mín. 25 1/4" (64.1 cm) Máx.	23 1/2" (59.7 cm)
30" (76.2 cm) Horno de pared	28 1/4" (71.8 cm) Mín. 28 7/8" (73.3 cm) Máx.	28 1/2" (72.4 cm) Mín. 29" (73.7 cm) Máx.	24" (61 cm)

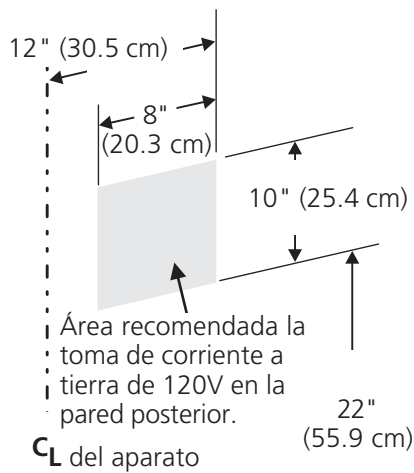
Figura 4 – Típica instalación de un horno eléctrico empotrado con una plancha de cocinar por encima

INSTRUCCIONES DE INSTALACION PARA PLANCHA DE COCINAR A GAS

(Modelos con un horno eléctrico empotrado facultativo)



2. Ubicación de la toma de corriente de la pared



NOTA: Si no existe una toma de corriente, contacte a un electricista calificado para realizar la instalación.

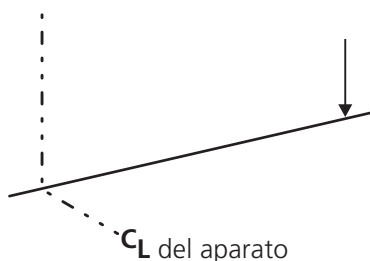


Figura 6

3. Información para sujetar el aparato

Una vez que el aparato está instalado en la apertura del mostrador, se tiene que sujetar como se indica.

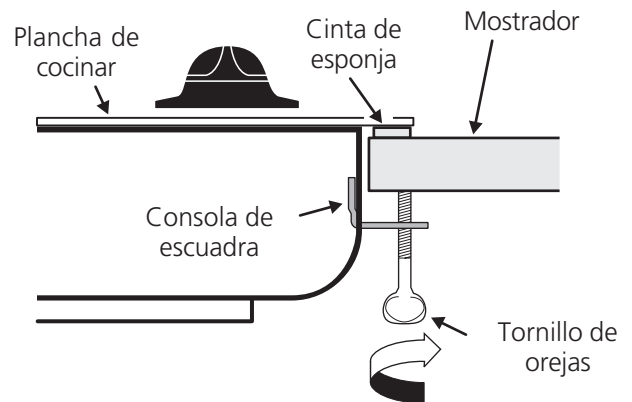


Figura 7

Para ajustar el aparato, inserte la consola de escuadra, con el lado desviado, en las ranuras en cada lado del aparato. El tornillo de orejas debe entonces de pasar a través del soporte y hasta la parte de abajo del mostrador. Apriételo hasta que el aparato se quede ajustado.

INSTRUCCIONES DE INSTALACION PARA PLANCHA DE COCINAR A GAS

(Modelos con un horno eléctrico empotrado facultativo)

4. Provea un adecuado suministro de gas

Esta plancha de cocinar está diseñada para utilizar gas natural de 4" (10.2 cm) de presión múltiple solamente.

Se conecta un regulador de presión en serie al múltiple de la plancha de cocinar y debe permanecer en serie con la línea de suministro de gas.

Para que manejo correcto, la presión de entrada máxima hacia el regulador no debe exceder 14" (35.6 cm) de presión de la columna de agua.

Para controlar el regulador, la presión de entrada debe ser de al menos 1" (2.5 cm) (o 2.5 Kpa) mayor que el ajuste de la presión del múltiple del regulador. El regulador se ajusta a 4" (10.2 cm) de la presión del múltiple, la presión de entrada debe de ser de al menos 5" (12.7 cm).

La línea de suministro de gas por el plancha de cocinar debería tener un tubo de 1/2" (1.3 cm) o de 3/4" (1.9 cm).

5. Conversión de gas propano/licuado

Esta plancha de cocinar ha sido diseñada para utilizar gas natural o gas propano. Ha sido fijada en la fábrica para utilizarse con gas natural.

Si desea hacer la conversión para utilizar el gas propano, use las piezas con orificios fijados provistos en el paquete del manual de instrucciones para la instalación en el paquete escrito "PARA LA CONVERSIÓN EN GAS PROPANO". Siga las instrucciones que están con los orificios.

Para hacer la conversión del gas natural al gas propano, es necesario utilizar el servicio de un técnico calificado, en acuerdo con las instrucciones del fabricante y todos los códigos y reglamentos reguladores. Si todas las instrucciones no son observadas, se puede ocurrir severos lesiones o daños materiales. La agencia calificada que hace el trabajo asuma la responsabilidad para la conversión.

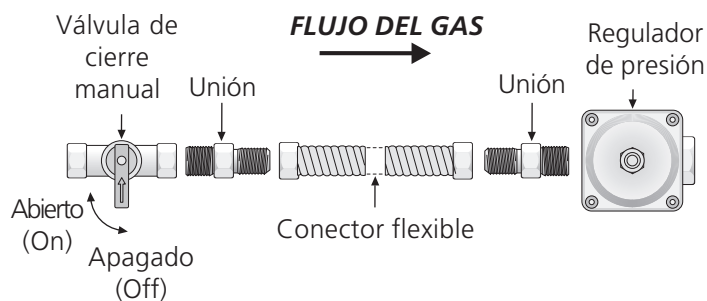
PRECAUCION Si la conversión apropiada no está observada, se puede ocurrir severos lesiones o daños materiales.

Importante: Retire todos los artículos de embalaje y folletos de la cocina antes de realizar las conexiones de gas y eléctricas a la cocina.

6. Instalación del regulador de presión

Instale el regulador de presión con la flecha del regulador apuntando hacia la unidad en una posición que permita alcanzar la tapa de entrada.

PRECAUCION No ajuste demasiado la conexión. El regular está fundida a presión. Al ajustar demasiado se puede romper el regulador causando una fuga de gas y un posible incendio o explosión.



Todas las conexiones deben ajustarse con una llave de tuerca

Figura 8

Monte el conector flexible del tubo del suministro de gas al regulador de presión en funcionamiento: 1- válvula de cierre manual, 2- boquilla de 1/2", 3- adaptador de 1/2", conector flexible, 4- adaptador de 1/2", 5- boquilla de 1/2", 6- regulador de presión.

Utilice un compuesto de tubo articulado para uso de gas natural y propano para sellar todas las conexiones de gas. Si se utilizan conectores flexibles, asegúrese que los conectores no están torcidos.

El tubo de suministro de gas debería incluir una válvula de cierre certificada. Esta válvula debería estar ubicada en la misma habitación de la plancha de cocinar y debería estar en un lugar que permita una abertura y cierre fáciles. No bloquee las entradas de la válvula de cierre. La válvula sirve para abrir o cerrar el paso del gas al artefacto.

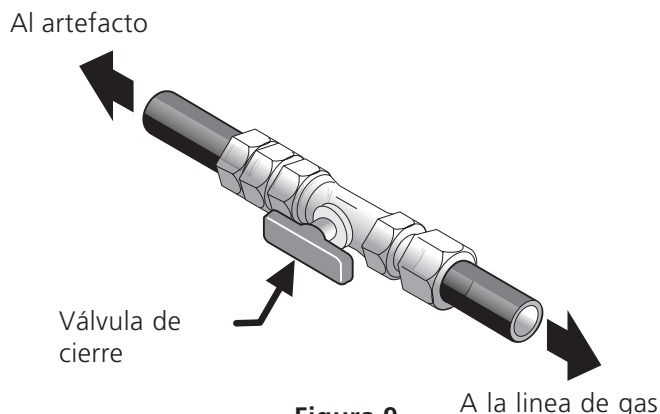


Figura 9

INSTRUCCIONES DE INSTALACION PARA PLANCHA DE COCINAR A GAS

(Modelos con un horno eléctrico empotrado facultativo)

Abra la válvula de cierre en el tubo de suministro de gas. Espere unos minutos para que el gas pase a través del tubo de gas.

Verifique si hay fugas. Para verificar si hay fugas en el electrodoméstico, la verificación debe de ser realizada según las instrucciones del fabricante. Luego de conectar la cocina al gas, verifique el sistema con un manómetro. Si no cuenta con éste instrumento, dé la vuelta al suministro de gas de la cocina y utilice un detector de fugas líquidas (o agua y jabón) en todas las articulaciones y conexiones para verificar si existen fugas.

⚠ ADVERTENCIA No use ningún tipo de llama para verificar si hay fugas de gas. Verifique si hay fugas con una llama puede ocasionar incendio o explosión.

Ajuste todas las conexiones en caso que sea necesario, para evitar fugas de gas en la cocina o en el tubo de suministro de gas.

Verifique la alineación de las válvulas luego de conectar la plancha de cocinar al suministro de gas para asegurar que no se ha movido la válvula del múltiple de la plancha de cocinar.

Desconecte la cocina y su válvula de cierre individual del sistema de tubería del suministro de gas durante cualquier ensayo de presión del sistema en ensayos de presión superiores a 1/2 psig (3.5 kPa o 14" columna de agua).

Aparte la cocina del sistema de tubería del suministro de gas cerrando su válvula de cierre individual manual, durante cualquier ensayo de presión del sistema de suministro de gas en ensayos iguales o inferiores a 1/2 psig (3.5 kPa o 14" columna de agua).

7. Conexión Eléctrica

Requerimientos eléctricos:

Un circuito derivado conectado correctamente a tierra de 120 voltios, 60 Herz protegido por un interruptor automático de 15 amp o un fusible de retardo. **No utilice un cable flexible de extensión en esta plancha de cocinar.**

Instrucciones para la puesta a tierra

IMPORTANTE Por favor, lea atentamente.

Como medida de seguridad personal, esté artefacto debe conectarse a tierra correctamente.

El cable de encendido de este artefacto incluye un enchufe de tres patas (a tierra) que calza con un enchufe de pared de tres patas de conexión a tierra (ver Figura 10) para disminuir la posibilidad de peligro de choques eléctricos desde el artefacto.

Un electricista calificado debe verificar el enchufe de pared y el circuito para asegurar que el enchufe está conectado a tierra correctamente.

Método Preferido

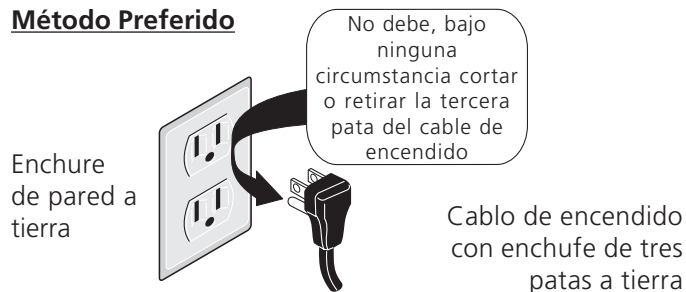


Figura 10

En caso de encontrarse con un enchufe de pared de dos patas, es la personal responsabilidad y la obligación del consumidor reemplazarlo por el enchufe de pared a tierra de tres patas correspondiente.

No debe, bajo ninguna circunstancia cortar o retirar la tercera pata (tierra) del cable de encendido

⚠ PRECAUCION Desconecte el cable del suministro eléctrico del enchufe de pared antes de reparar la plancha de cocinar.

INSTRUCCIONES DE INSTALACION PARA PLANCHA DE COCINAR A GAS

(Modelos con un horno eléctrico empotrado facultativo)

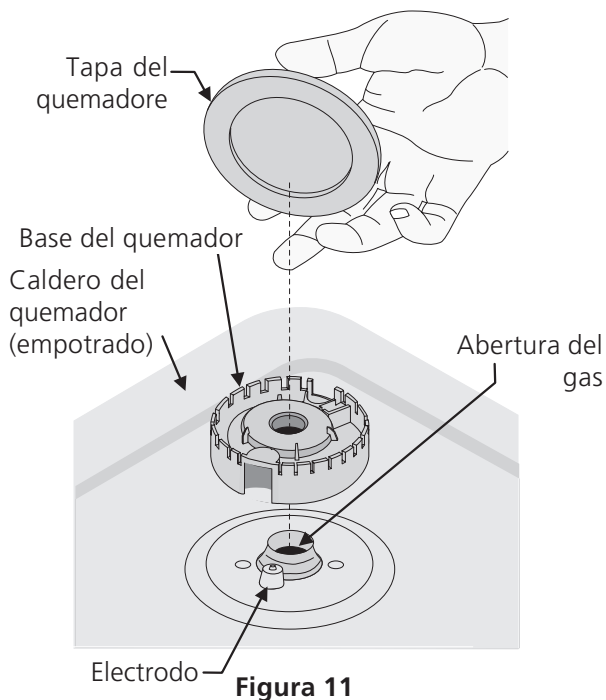
8. Verifique la operación

Refiera al Manual del Usuario que viene con la plancha de cocinar para las instrucciones de funcionamiento y el mantenimiento y la limpieza de su plancha de cocinar.

No toque a los quemadores. Pueden estar suficientemente calientes par causar quemaduras.

1. Instalación de las tapas de quemadores

Esta plancha de cocinar está equipada con quemadores sellados como se muestra (Figura 11)



- Desembale las tapas de los quemadores y las bases.
- Coloque las bases de quemador sobre cada tubo de abertura de gas.
- Asegúrese que el quemador está correctamente alineado y nivelado. Coloque cada tapa del quemador debajo de cada base del quemador.

NOTA: No es necesario realizar ajustes en los quemadores de esta plancha de cocinar.

2. Abierta el suministro eléctrico y la válvula de cierre principal del gas.

3. Verifique los dispositivos de encendido

La manipulación de los dispositivos de encendido eléctrico debería verificarse tras haber revisado detenidamente la plancha de cocinar y los conectores del tubo del suministro de fugas y tras haber conectado la plancha de cocinar al suministro eléctrico.

Para operar en la superficie del quemador:

- Presione y gire la perilla de control hasta LITE. Se escuchará a un pequeño ruido. Éste es el ruido producido por el dispositivo de encendido eléctrico cuando enciende el quemador.
- Una vez que el quemador está encendido, gire hasta obtener el tamaño de la llama deseada. No es necesario ajustar los controles en una marca determinada. Use las marcas como guía y ajuste la llama según se desea.

INSTRUCCIONES DE INSTALACION PARA PLANCHA DE COCINAR A GAS

(Modelos con un horno eléctrico empotrado facultativo)

4. Verifique el ajuste "LO" O "SIMMER" de las válvulas de superficie de quemador (ver Figura 12)

Presione y gire el botón de control al ajuste "LO" (o "SIMMER"). El ajuste "LO" de cada quemador ha sido creado en la fábrica para fijarse al menor ajuste disponible para entregar un reencendido confiable del quemador. Si no queda encendido en el ajuste "LO", verifique el ajuste "LO" como se muestra a continuación.

- A. Deje que la cocina se enfríe a temperatura ambiente.
- B. Enciende todos los quemadores girando cada botón de control hasta LITE para encender los quemadores y fijarlos en "HI".
- C. Gire rápidamente el quemador hasta LOWEST POSITION.
- D. Si el quemador se apaga, reajuste la válvula como se muestra a continuación:
Retire el botón de control del quemador, inserte un destornillador de cuchillo delgado en el vástago del agujero de la válvula y encaje el tornillo ranurado. El tamaño de la llama se puede aumentar o disminuir girando el tornillo. Gradue la llama hasta que se pueda girar rápidamente hacia abajo desde HI hasta LOWEST POSITION sin apagar la llama. La llama debería ser lo más baja posible y estable sin apagarse.
- E. Si se desea ajustar otro quemador, repita los pasos de A a D descritos hasta que los quemadores funcionen correctamente.

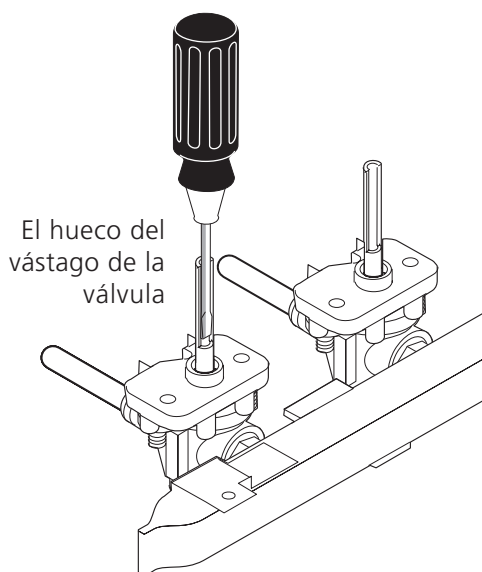


Figura 12

Cuando se han realizado todos los sistemas de conexión

Asegúrese que todos los controles están en la posición de OFF (apagado).

Asegúrese que el flujo de combustión y ventilación de aire de la cocina no están obstruidos

Modelo y ubicación del número de serie

La placa de número de serie está ubicada en el lado de abajo de la caja de quemadores.

Asegúrese de incluir el modelo, número de serie y el número o letra del lote que se encuentran en la placa, en todo pedido de partes o solicitud de información acerca de su plancha de cocinar.

La placa de número de serie también indica las especificaciones de los quemadores, el tipo de combustible y la presión para la cual fué ajustada la plancha de cocinar en la fábrica.

Antes de llamar al servicio técnico

Lea la lista titulada "Evitando Llamadas de Servicio" y las instrucciones de funcionamiento en su [Manual del Usuario](#)

Verifique que los fusibles de la casa no se hayan fundido o el cortacircuitos del horno no haya saltado o abierto.

INSTRUCTIONS D'INSTALLATION POUR PLAQUE DE CUISSON À GAZ

(Modèle pouvant être combiné à un four encastré électrique installé sous le comptoir)



UN INSTALLATEUR QUALIFIÉ DOIT EFFECTUER L'INSTALLATION ET LE SERVICE IMPORTANT: CONSERVEZ CES INSTRUCTIONS POUR LES INSPECTEURS LOCAUX. LISEZ CES INSTRUCTIONS ET CONSERVEZ-LES POUR RÉFÉRENCES ULTÉRIEURES.

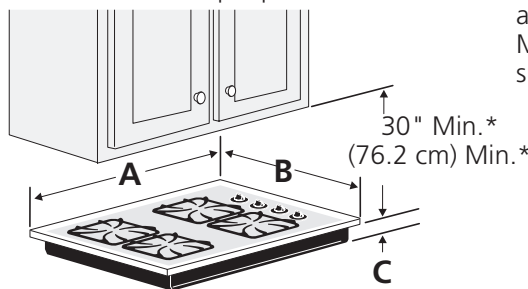


⚠ AVERTISSEMENT Si les instructions de ce manuel ne sont pas suivies à la lettre, il pourrait en résulter un incendie ou une explosion susceptible de causer des dommages matériels, des blessures ou même la mort.

POUR VOTRE SÉCURITÉ:

- N'entreposez et n'utilisez pas d'essence ou d'autres produits inflammables à proximité de cet appareil ou de tout autre appareil.
- **QUE FAIRE SI VOUS DÉCELEZ UNE ODEUR DE GAZ:**
 - Ne tentez d'allumer aucun appareil.
 - N'actionnez aucun interrupteur électrique; n'utilisez aucun appareil téléphonique de l'édifice.
 - Communiquez immédiatement avec votre fournisseur de gaz en vous servant du téléphone d'un voisin. Suivez les instructions que le fournisseur vous donnera.
 - S'il vous est impossible de rejoindre votre distributeur de gaz, communiquez avec le service d'incendie.
- L'installation et l'entretien doivent être effectués par un installateur qualifié, un service d'entretien ou de réparation accrédité ou le distributeur de gaz.

Dimensions de la plaque de cuisson



* Minimum de 30" (76.2 cm) pour armoire non protégée.
Minimum de 24" (61 cm) pour surface protégée.

Dimensions de découpage pour la plaque de cuisson

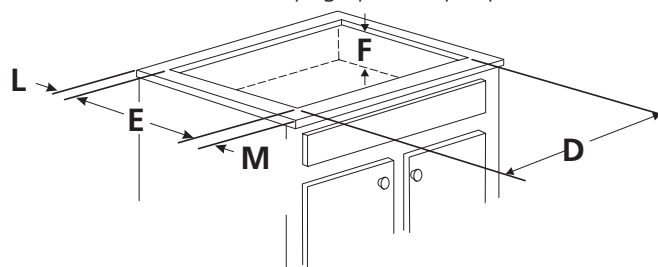


Figure 1

MODÈLE	A. LONGUEUR	B. LARGEUR	C. PROFONDEUR	DIMENSIONS DE DÉCOUPAGE				F. PROFONDEUR SOUS LA PLAQUE DE CUISSON*	L (Min.)	M (Min.)
				MIN. D.	MAX. D.	MIN. E.	MAX. E.			
Modèles 30"	30 (76.2)	21 ½ (54.6)	2¾ (7.0)	26 ⅝ (67.6)	26 ⅞ (68.3)	19 (48.3)	19 ⅜ (49.2)	5 (12.7)	2¾ (7)	2¼ (5.7)
Modèles 36" X 21½"	36 (91.4)	21 ½ (54.6)	2¾ (7.0)	32 ¾ (83.2)	33 (83.8)	19 (48.3)	19 ⅜ (49.2)	5 (12.7)	2¾ (7)	2¼ (5.7)
Modèles 36" X 18"	36 (91.4)	18 (45.7)	2¾ (7.0)	34 ¼ (87)	34 ⅜ (87.3)	16 ⅝ (42.2)	16 ¾ (42.5)	5 (12.7)	4¼ (10.8)	3 (7.6)

Toutes les dimensions sont en pouces (cm).

La dimension **F** est le dégagement requis sous la plaque de cuisson pour le raccordement au gaz.

NOTE: Le schéma de câblage de la plaque de cuisson est inclus à la fin de ce feuillet. P/N 318201463 (0508) Rev. A
Seulement certains modèles sont disponibles au Canada.

INSTRUCTIONS D'INSTALLATION POUR PLAQUE DE CUISSON À GAZ

(Modèle pouvant être combiné à un four encastré électrique installé sous le comptoir)

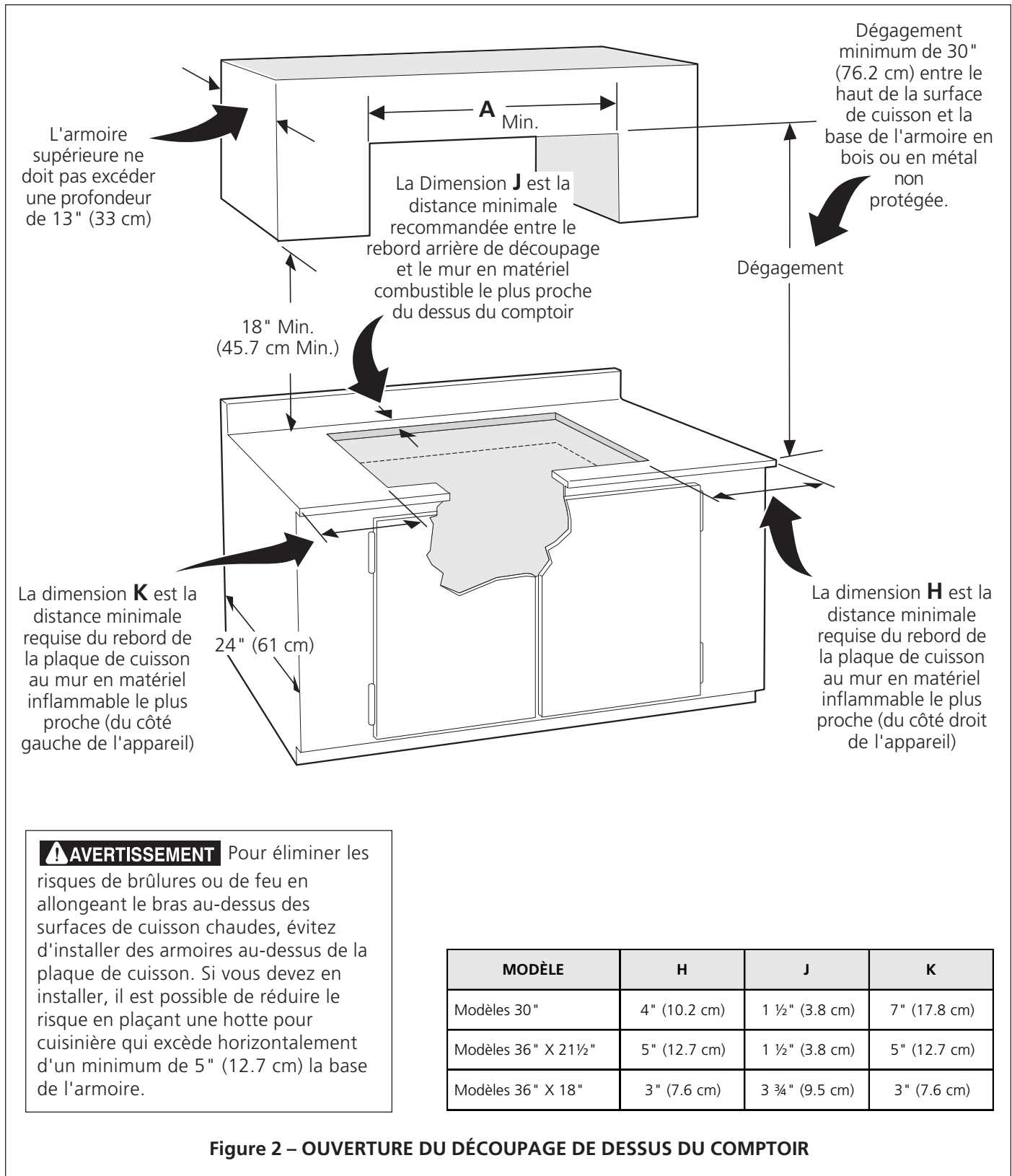


Figure 2 – OUVERTURE DU DÉCOUPAGE DE DESSUS DU COMPTOIR

INSTRUCTIONS D'INSTALLATION POUR PLAQUE DE CUISSON À GAZ

(Modèle pouvant être combiné à un four encastré électrique installé sous le comptoir)

Notes importantes à l'installateur

1. Lisez toutes les instructions contenues dans ce feuillet avant d'installer l'appareil.
2. Enlevez tout le matériel d'emballage avant de connecter l'alimentation à gaz à la plaque de cuisson.
3. Respectez tous les codes et règlements applicables.
4. N'oubliez pas de laisser ces instructions au consommateur.

Note importante au consommateur

Conservez ces instructions avec le guide de l'utilisateur pour référence ultérieure.

INSTRUCTIONS DE SÉCURITÉ IMPORTANTES

Cet appareil doit être installé conformément aux règlements locaux, ou en l'absence de règlements, au code National de Gaz ANSI Z223.1- dernière édition aux États-Unis, ou aux normes CAN/ACG-B149.1 et CAN/ACG-B149.2 au Canada.

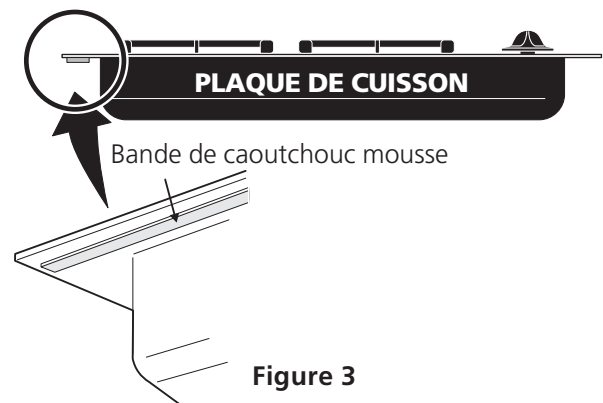
La conception de cette plaque de cuisson a été approuvée par American Gas Association (A.G.A.). Il faut prendre certaines précautions d'usage lors de l'utilisation de tout appareil fonctionnant au gaz naturel ou produisant de la chaleur. Vous trouverez celles-ci dans votre [Guide d'utilisateur](#), lisez-les avec attention.

- **Assurez-vous que votre appareil est correctement installé et mis à la terre par un installateur ou un technicien d'entretien qualifié.**
- **Le circuit électrique de cette plaque de cuisson doit être mis à la terre conformément** aux règlements locaux, ou en l'absence de règlements, au code national de l'électricité ANSI/NFPA no. 70- dernière édition aux États-Unis ou à la norme canadienne d'électricité, ACNOR C22.1, partie 1, au Canada.
- **Lors d'une panne de courant électrique, les brûleurs de surface peuvent être allumés manuellement; placez une allumette allumée près de la tête du brûleur et tournez lentement le bouton de commande de surface à la position LITE. Redoublez de prudence si vous allumez un brûleur de surface manuellement.**
- **N'entreposez pas d'objets susceptibles d'intéresser les enfants dans les armoires situées au-dessus de la plaque de cuisson.** Ils risquent de se brûler sérieusement s'ils tentent de grimper sur l'appareil.
- **Évitez de placer des armoires de rangement au-dessus des brûleurs afin d'éliminer les gestes inutiles au-dessus de ceux-ci.**

- **Réglez la flamme du brûleur pour qu'elle ne dépasse pas le bord de l'ustensile utilisé pour la cuisson.** Une flamme excessive est dangereuse.
- **N'utilisez jamais votre appareil pour réchauffer ou chauffer la pièce.** L'utilisation prolongée de la plaque de cuisson sans une ventilation adéquate peut s'avérer dangereuse.
- **Ne gardez pas de produits combustibles, d'essence et d'autres produits inflammables à proximité de cet appareil ou de tout autre appareil.** Il pourrait en résulter des explosions ou un incendie.

⚠ AVERTISSEMENT Il faut couper l'alimentation électrique durant le branchement électrique. À défaut de ce faire il peut en résulter des blessures graves ou la mort.

1. Avant d'installer la table de cuisson



Retirer le rouleau de ruban mousse qui se trouve dans l'enveloppe de documents. Installer le ruban mousse sur le contour inférieur du boîtier, à une distance de ¼" (0.6 cm) du bord extérieur de la surface de cuisson, en appliquant le côté du ruban avec l'adhésif à nu sous la surface (voir la figure 3).

Prendre note: Ce ruban mousse scelle le dessous de la table de cuisson au comptoir. **Ne retirez pas ce ruban mousse.** Il sert à prévenir le passage de l'air requis pour une combustion normale et empêche les liquides de fuir sous la plaque de cuisson.

Après l'insertion de la plaque de cuisson dans l'ouverture du comptoir, assurez-vous que l'appareil est supporté par le cadre en métal du boîtier. La plaque de cuisson ne doit pas être supportée par la vitre de surface ou le dessus en porcelaine. Faites attention de ne pas découper une ouverture trop grande dans le comptoir afin d'éviter que la vitre ou le dessus en porcelaine supporte la plaque de cuisson.

INSTRUCTIONS D'INSTALLATION POUR PLAQUE DE CUISSON À GAZ

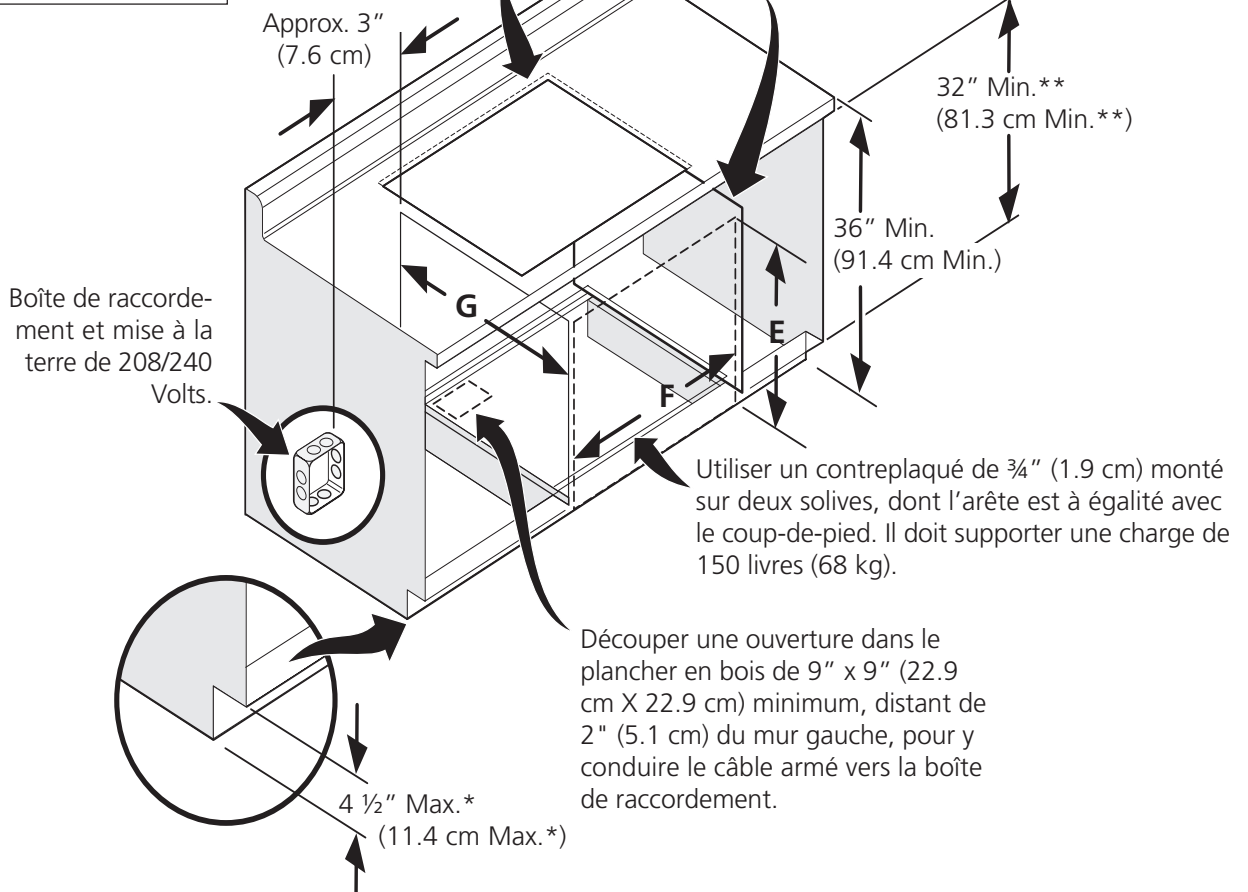
(Modèle pouvant être combiné à un four encastré électrique installé sous le comptoir)

⚠ AVERTISSEMENT

Les attaches anti-versement doivent être utilisées pour retenir le four encastré aux armoires.

Cette table de cuisson peut être installée au-dessus de certains modèles de fours encastrés électriques.

Des panneaux latéraux de séparation doivent être installés pour isoler l'appareil des armoires accolées. La hauteur des panneaux doit permettre l'installation des modèles de tables de cuisson approuvées. Reportez-vous aux informations typiques d'une table de cuisson à gaz installée au-dessus d'un four encastré électrique installé sous le comptoir.



- * Un maximum de 5" (12.7 cm) est permis si aucune table de cuisson n'est installée au-dessus de l'appareil.
- ** Une distance minimale de 32" (81.3 cm) est requise entre le dessous du comptoir et le haut de la plaque de bordure.

DIMENSIONS DE L'OUVERTURE			
MODÈLE	E. HAUTEUR	F. LARGEUR	G. PROFONDEUR
Four encastré 27" (68.6 cm)	28 1/8" (71.4 cm) Min. 28 5/8" (72.7 cm) Max.	24 7/8" (63.2 cm) Min. 25 1/4" (64.1 cm) Max.	23 1/2" (59.7 cm)
Four encastré 30" (76.2 cm)	28 1/4" (71.8 cm) Min. 28 7/8" (73.3 cm) Max.	28 1/2" (72.4 cm) Min. 29" (73.7 cm) Max.	24" (61 cm)

Figure 4 – INSTALLATION TYPIQUE D'UN FOUR ENCASTRÉ ÉLECTRIQUE SOUS LE COMPTOIR ET D'UNE TABLE DE CUISSON AU-DESSUS

INSTRUCTIONS D'INSTALLATION POUR PLAQUE DE CUISSON À GAZ

(Modèle pouvant être combiné à un four encastré électrique installé sous le comptoir)

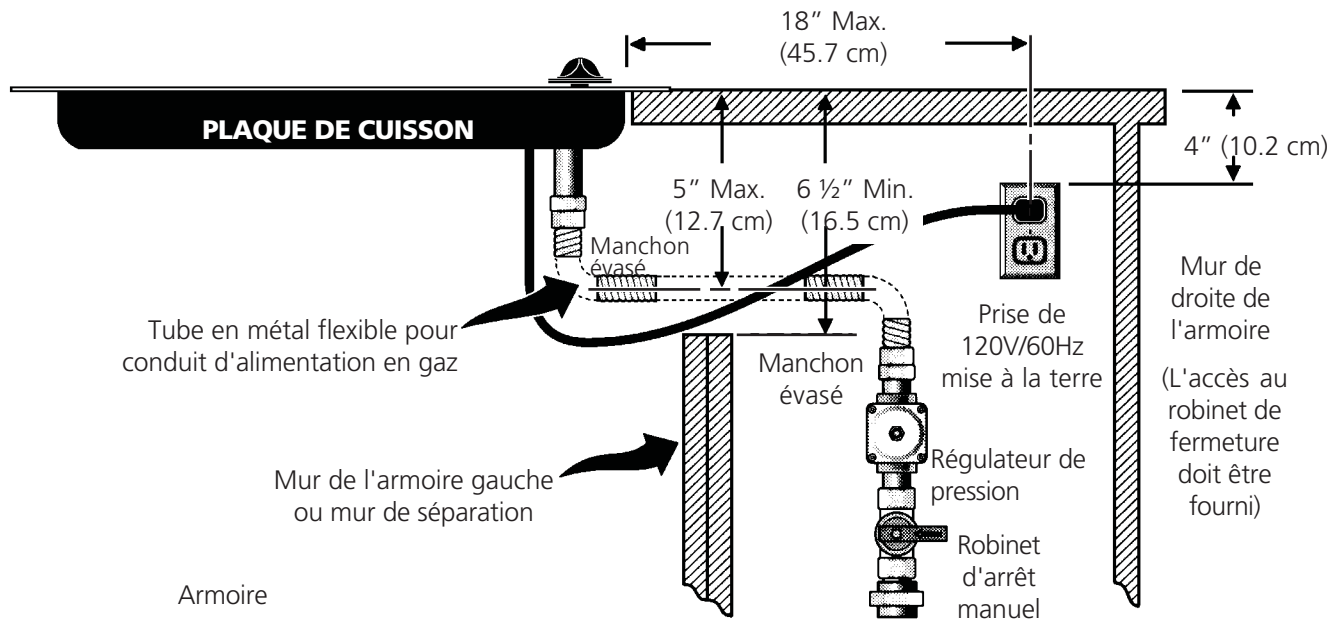
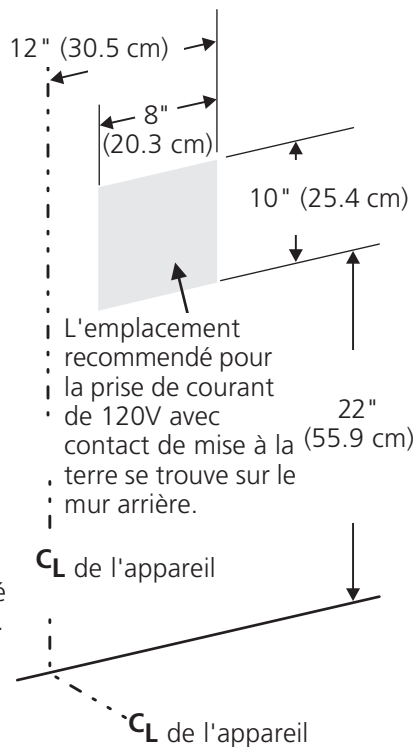


Figure 5 – INSTALLATION TYPIQUE D'UNE TABLE DE CUISSON À GAZ AU-DESSUS D'UN FOUR ENCASTRÉ ÉLECTRIQUE INSTALLÉ SOUS LE COMPTOIR

2. Emplacement de la prise de courant murale



NOTE: Si aucune prise de courant n'est disponible, demandez à un électricien qualifié d'en installer une.

Figure 6

3. Instructions de fixation

Une fois l'appareil installé dans l'ouverture du comptoir, fixez-le tel qu'indiqué.

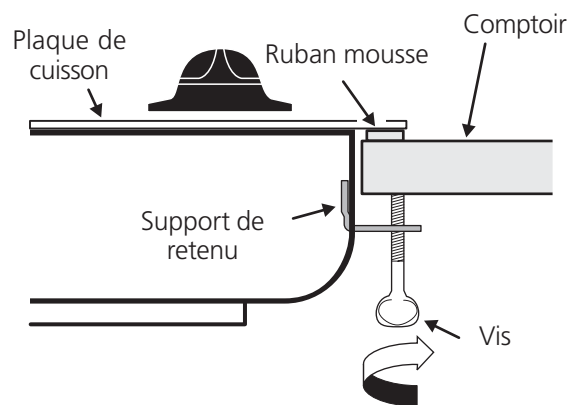


Figure 7

Pour la fixation, insérez l'équerre de fixation en plaçant le côté en retrait de celle-ci dans la fente se trouvant sur chaque côté de l'élément. Insérez la vis à oreilles à travers l'équerre de fixation jusqu'à ce qu'elle entre en contact avec le dessous du comptoir. Serrez jusqu'à ce que l'appareil s'enfonce dans son emplacement.

INSTRUCTIONS D'INSTALLATION POUR PLAQUE DE CUISSON À GAZ

(Modèle pouvant être combiné à un four encastré électrique installé sous le comptoir)

4. Fournissez une alimentation en gaz adéquate

Cette plaque de cuisson a été conçue pour fonctionner au gaz naturel avec une pression d'admission de 4" (10.2 cm).

Un régulateur de pression est branché en série avec la rampe à gaz de la plaque de cuisson, et doit rester en série sur le tuyau d'alimentation.

Pour un fonctionnement normal, la pression intérieure maximale au régulateur ne doit pas être supérieure à la pression d'une colonne d'eau (C.E.) de (35.6 cm).

Pour vérifier le régulateur, la pression d'admission doit être supérieure d'au moins 1" (2.5 cm) (ou de 0.25 kPa) à celle du régulateur ajusté à la rampe à gaz. Le régulateur étant ajusté à 4" (10.2 cm) de pression, la pression d'admission doit être d'au moins 5" (12.7 cm).

La conduite d'alimentation en gaz branchée à la plaque de cuisson doit avoir un diamètre de 1/2" (1.2 cm) à 3/4" (1.9 cm).

5. Conversion au gaz de pétrole liquéfié ou gaz propane

Cet appareil fonctionne au gaz naturel ou au gaz propane. Il est réglé en usine pour fonctionner au gaz naturel.

Si vous désirez convertir votre plaque de cuisson au gaz propane, servez-vous des orifices à débit fixe qui sont fournis et emballés dans un sac marqué "POUR CONVERSION AU GAZ PROPANE"; ce sac se trouve dans l'enveloppe de documents contenant le feuillet Instructions d'installation. Suivez les instructions d'installation se trouvant dans l'enveloppe qui contient les orifices.

Un installateur qualifié doit effectuer l'installation et le service, conformément aux instructions du fabricant et à tous les codes et règlements applicables. Si ces instructions ne sont pas suivies à la lettre, il pourrait en résulter de sérieuses blessures corporelles ou des dommages matériels. L'entreprise d'installation qui effectue ce travail assume la responsabilité de la conversion.

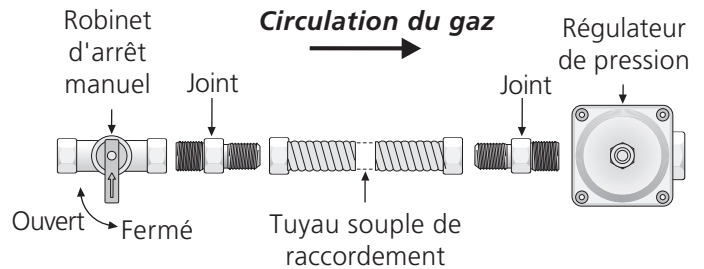
AVERTISSEMENT Si on n'effectue pas la conversion appropriée, il pourrait en résulter des blessures corporelles et des dommages matériels.

Important: Enlevez tout l'emballage et la documentation de la plaque de cuisson avant de brancher le gaz et le courant électrique sur celle-ci.

6. Installez le régulateur de Pression

Installez le régulateur de pression avec la flèche qui se trouve sur le régulateur dans la direction de la plaque de cuisson et dans une position facilitant l'accès.

AVERTISSEMENT RISQUE D'INCENDIE. Ne serrez pas trop les raccords. Le régulateur est fabriqué en alliage moulé. Un serrage excessif pourrait le fissurer et provoquer une fuite de gaz susceptible de causer un incendie ou une explosion.



Tous les raccords doivent être serrés à la clé.

Figure 8

Raccordez le tuyau souple d'alimentation au régulateur de pression en respectant l'ordre suivant: 1- robinet d'arrêt, 2- mamelon de 1/2", 3- adaptateur de 1/2", 4- tuyau souple de raccordement, 5- adaptateur de 1/2", 6- mamelon de 1/2", régulateur de pression.

Utilisez du mastic à joints de tuyaux pour assurer l'étanchéité des raccords de gaz naturel et de gaz de pétrole liquéfié. Vérifiez que les tuyaux souples de raccordement, s'il y en a, ne sont pas tordus.

Le tuyau d'alimentation doit être équipé d'un robinet d'arrêt approuvé. Ce robinet devrait être situé dans la même pièce que la plaque de cuisson et à un endroit permettant de l'ouvrir et de le fermer sans difficulté. Ne bloquez pas l'accès au robinet d'arrêt. Il sert à allumer ou à fermer l'alimentation en gaz de l'appareil.

À la cuisinière

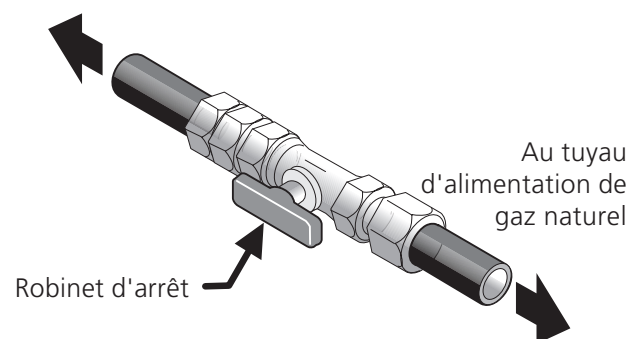


Figure 9

Ouvrez le robinet d'arrêt du tuyau d'alimentation de gaz naturel. Attendez quelques minutes pour permettre au gaz de se déplacer dans le tuyau d'alimentation.

INSTRUCTIONS D'INSTALLATION POUR PLAQUE DE CUISSON À GAZ

(Modèle pouvant être combiné à un four encastré électrique installé sous le comptoir)

Vérifiez qu'il n'y ait pas de fuites. La vérification pour les fuites doit être faite selon les instructions du fabricant. Après avoir raccordé l'alimentation en gaz à la plaque de cuisson, à l'aide d'un manomètre vérifiez si le système ne fuit pas. Si vous ne disposez pas d'un manomètre, ouvrez l'alimentation en gaz et utilisez un liquide détecteur de fuites sur tous les joints et raccords.

AVERTISSEMENT RISQUE D'INCENDIE. N'utilisez pas de flamme nue pour vérifier s'il y a des fuites aux raccords de gaz naturel. La détection des fuites à l'aide d'une flamme pourrait provoquer un incendie ou une explosion.

Si nécessaire, **resserrez tous les raccords** afin de prévenir les fuites de gaz dans la plaque de cuisson ou le tuyau d'alimentation.

Après avoir relié la plaque de cuisson à l'alimentation en gaz, **vérifiez l'alignement des robinets**, afin de vous assurer que le conduit de la rampe à gaz n'a pas été déplacé.

Lors de toute vérification de pression du circuit à une pression supérieure à ½ lb/po2 (3.5 kPa ou 14" C.E.), **débranchez la plaque de cuisson et son robinet d'arrêt individuel** de l'alimentation en gaz.

Lors de toute vérification de pression du circuit d'alimentation en gaz à une pression inférieure ou égale à ½ lb/po2 (3.5 kPa ou 14" C.E.), isolez la plaque de cuisson du réseau d'alimentation en gaz en fermant son robinet d'arrêt manuel.

7. Branchez le courant électrique à la plaque de cuisson au gaz

Alimentation en électricité

Circuit de dérivation de 120 volt, 60 Hertz, avec mise à la terre appropriée, protégé par un disjoncteur de 15 ampères ou un fusible temporisé. **N'utilisez pas de rallonge électrique pour brancher la plaque de cuisson.**

IMPORTANT Veuillez lire attentivement.

Pour votre propre sécurité, cet appareil doit être correctement mis à la terre.

Afin de réduire au minimum les risques de chocs électriques, le cordon d'alimentation de cet appareil est muni d'une fiche de contact tripolaire (mise à la terre) enfichable dans une prise de courant murale tripolaire standard avec mise à la terre (Figure 10).

Méthode préférée

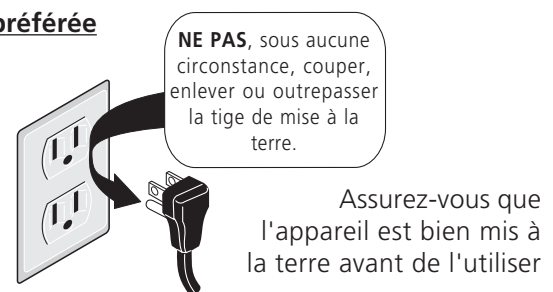


Figure 10

Il est conseillé de faire vérifier la prise de courant murale et le circuit par un électricien qualifié, afin de s'assurer que la prise de courant est correctement mise à la terre. Dans le cas où il n'y a qu'une prise de courant murale bipolaire standard, il incombe au client de la faire remplacer par une prise de courant murale tripolaire correctement mise à la terre.

Il est strictement interdit de couper ou d'enlever la troisième tige (mise à la terre) du cordon d'alimentation.

AVERTISSEMENT Débranchez le cordon d'alimentation électrique de la prise de courant murale avant de réparer ou de nettoyer la plaque de cuisson.

INSTRUCTIONS D'INSTALLATION POUR PLAQUE DE CUISSON À GAZ

(Modèle pouvant être combiné à un four encastré électrique installé sous le comptoir)

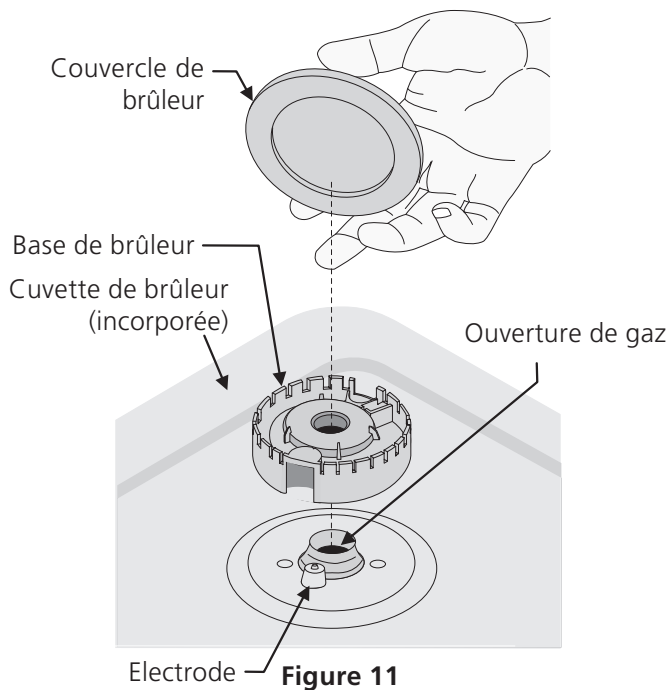
8. Vérification du fonctionnement

Référez-vous au Guide de l'utilisateur fourni avec votre appareil pour le mode de fonctionnement et l'entretien de votre plaque de cuisson.

Ne touchez pas aux brûleurs. Ils peuvent être assez chauds pour causer des brûlures graves.

1. Installation des couvercles de brûleurs

Cette plaque de cuisson est munie de brûleurs scellés tel que montré à la figure 11.



- Déballez les bases et les couvercles des brûleurs.
- Placez les bases au-dessus de chaque orifice d'alimentation en gaz.
- Vérifiez que le brûleur est correctement aligné et horizontal. Placez les couvercles sur les bases des brûleurs

NOTE: Aucun réglage de brûleurs n'est nécessaire sur ce type de plaque de cuisson.

2. Branchez l'alimentation en électricité et ouvrez le robinet principal d'alimentation en gaz.

3. Vérifiez les allumeurs

Il faut vérifier le fonctionnement des allumeurs électriques après que la plaque de cuisson et les raccords du tuyau d'alimentation aient été eux-mêmes vérifiés relativement aux fuites et que la plaque de cuisson ait été branchée à la prise de courant.

Pour faire fonctionner le brûleur de surface :

- Enfoncez et tournez la commande à "LITE". Vous entendrez un petit déclic; c'est le bruit de l'allumeur électrique qui allume le brûleur.
- Après l'allumage du brûleur, réglez la flamme à l'intensité voulue. Les commandes n'ont pas besoin d'être réglées vis-à-vis d'un repère particulier. Utilisez les repères comme guide et réglez la flamme au besoin.

INSTRUCTIONS D'INSTALLATION POUR PLAQUE DE CUISSON À GAZ

(Modèle pouvant être combiné à un four encastré électrique installé sous le comptoir)

4. Réglez la position LOW ou SIMMER (Figure 12)

Enfoncez et tournez chaque bouton de commande à la position "LOW" (ou "SIMMER"). La position "LOW" de chaque brûleur a été réglée le plus bas possible pour permettre un réallumage faible du brûleur. S'il ne reste pas allumé à la position "LOW", vérifiez le réglage comme suit:

- Laissez refroidir la plaque de cuisson à la température de la pièce.
- Allumez tous les brûleurs en tournant chaque bouton de commande à "LITE" jusqu'à ce que les brûleurs s'allument, puis réglez-les à la position "HI".
- Tournez rapidement le bouton de commande du brûleur à régler de la position "HI" à la position "LOW".
- Si un brûleur s'éteint, réglez le robinet comme suit: Enlevez le bouton de commande du brûleur, insérez un tournevis à lame fine dans l'axe creux du robinet, et engagez-le dans la vis à tête fendue à l'intérieur. On peut augmenter ou diminuer la taille de la flamme en tournant la vis. Réglez la flamme jusqu'à ce que vous puissiez tourner rapidement le bouton de la position "HI" à la position "LOW" sans que la flamme ne s'éteigne. La flamme devrait être aussi faible que possible et stable sans s'éteindre.
- Si vous avez besoin de régler un autre brûleur, répétez les étapes A à D ci-dessus jusqu'à ce que tous les brûleurs fonctionnent correctement.

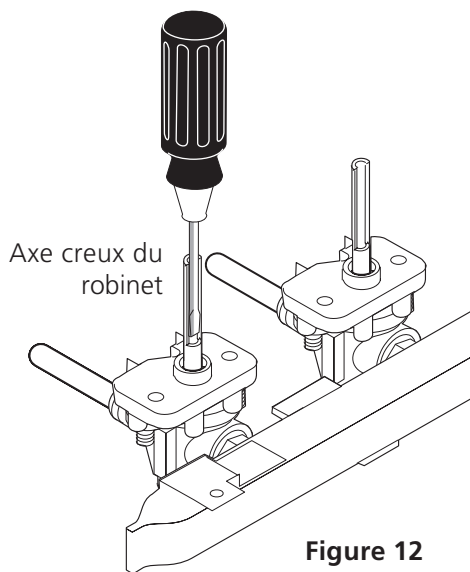


Figure 12

Lorsque tous les raccordements sont terminés

Vérifiez que toutes les commandes soient en position d'arrêt.

Assurez-vous que la circulation d'air de combustion et de ventilation à la plaque de cuisson n'est obstruée.

Emplacement des numéros de modèle et de série

La plaque signalétique est située sous la plaque de cuisson.

Pour toute commande de pièces ou demande de renseignements, au sujet de la plaque de cuisson, assurez-vous de toujours inclure les numéros de modèle et de série, ainsi que le numéro ou la lettre du lot de la plaque signalétique de votre plaque de cuisson.

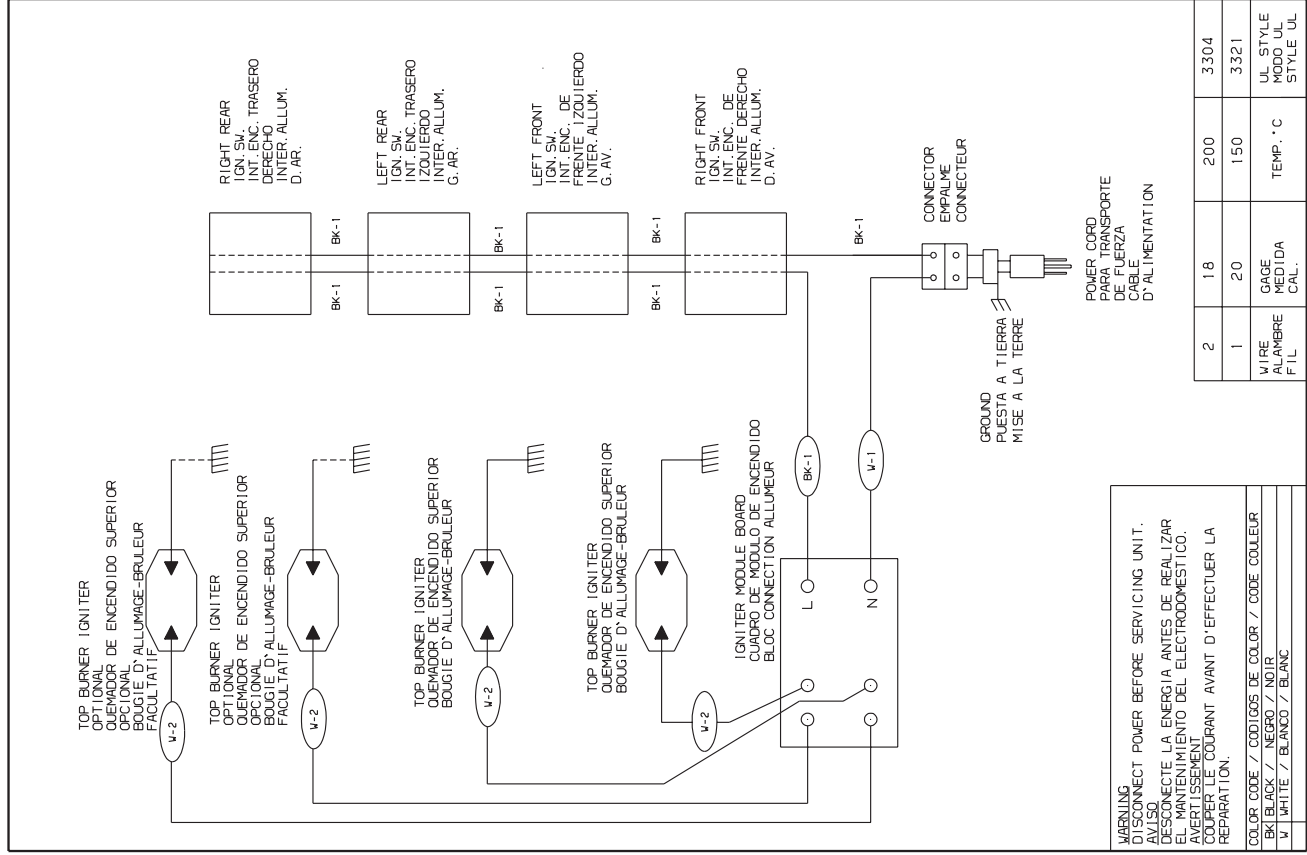
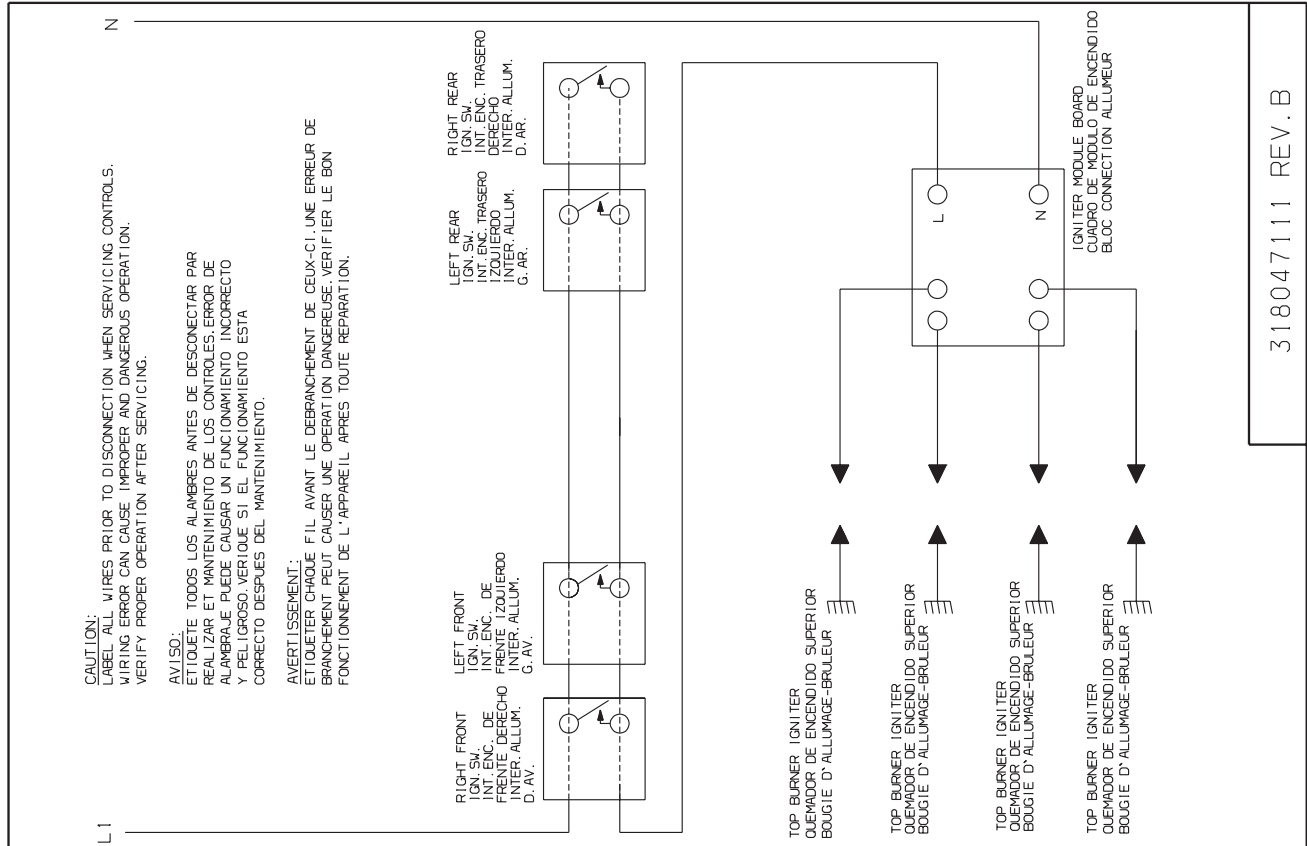
Avant d'appeler le service d'entretien

Consultez la liste des vérifications préventives et les instructions d'opération dans votre Guide de l'utilisateur. Vous sauvez probablement du temps et de l'argent. La liste contient les incidents ordinaires ne résultant pas de défauts dans le matériel ou la fabrication de cet appareil.

Pour obtenir nos adresse et numéro de téléphone référez-vous à la garantie et aux renseignements sur les services d'entretien dans votre Guide de l'utilisateur. Prière de nous téléphoner ou de nous écrire pour toute demande d'information au sujet de votre appareil et/ou si vous désirez commander des pièces.

WIRING DIAGRAM - DIAGRAMA DE LA INSTALACIÓN ALÁMBRICA - SCHÉMA DE CÂBLAGE

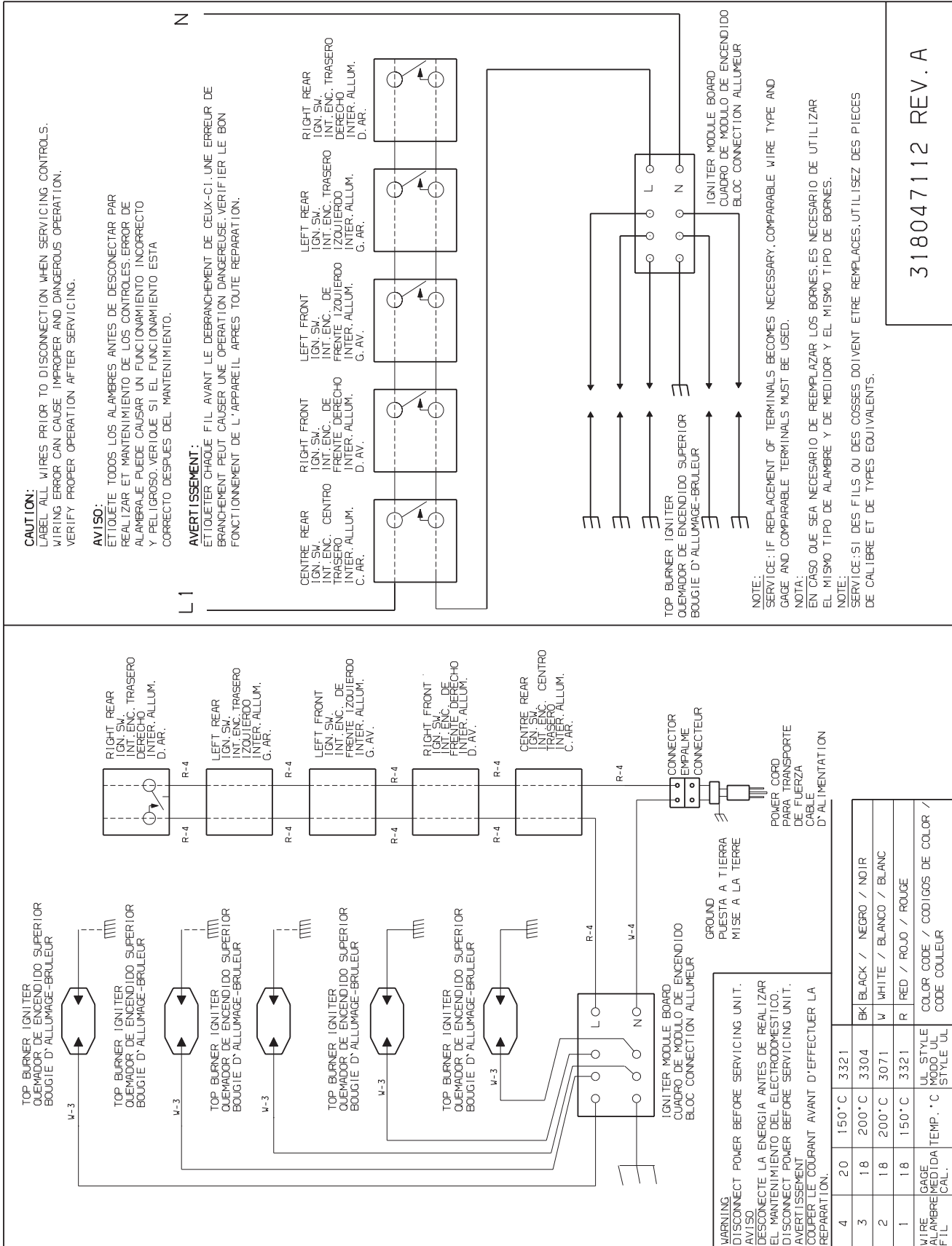
(For 30" & 36" - 4 burner Models - Para modelos 30" & 36" - 4 quemadores - Pour les modèles 30" & 36" - 4 brûleurs)



318047111 REV. B

WIRING DIAGRAM - DIAGRAMA DE LA INSTALACIÓN ALÁMBRICA - SCHÉMA DE CÂBLAGE

(For 36" - 5 burner Models - Para modelos 36" - 5 quemadores - Pour les modèles 36" - 5 brûleurs)



318047112 REV. A