

Frigidaire

Factory Parts Catalog

Product No.	GLGC36S8EBA	GLGC36S8EQA	GLGC36S8ESA
	3775642665061	3775644665041	3775643665011
Series	36" gas	36" gas	36" gas
Color	black	bisque	white
Market	North America	North America	North America
Wiring Diagram	318047112	318047112	318047112
Owner's Guide	318200672	318200672	318200672
Installation Instructions	318201463	318201463	318201463

 **Electrolux**

Electrolux Major Appliances
 North & Latin America
 P.O. BOX 212378
 AUGUSTA, GA 30917

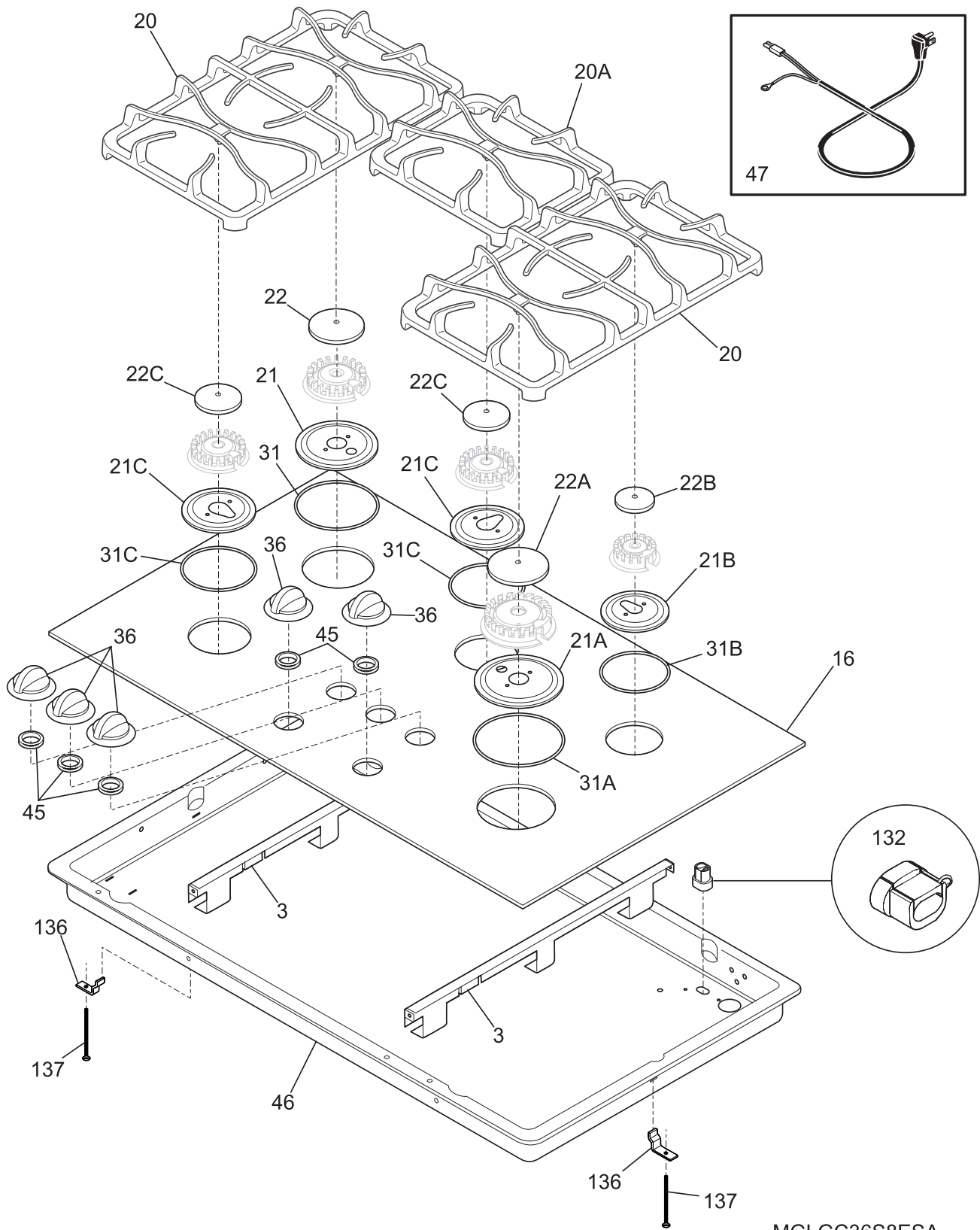
Publication No.
5995454112
 05/11/15
 (EN/SERVICE/ECL)
 377

**GAS COOK-TOP
 RANGE**

**Model No.
 GLGC36S8E**

Copyright © 2005 Electrolux Home Products, Inc.
 All rights reserved.

COOK TOP



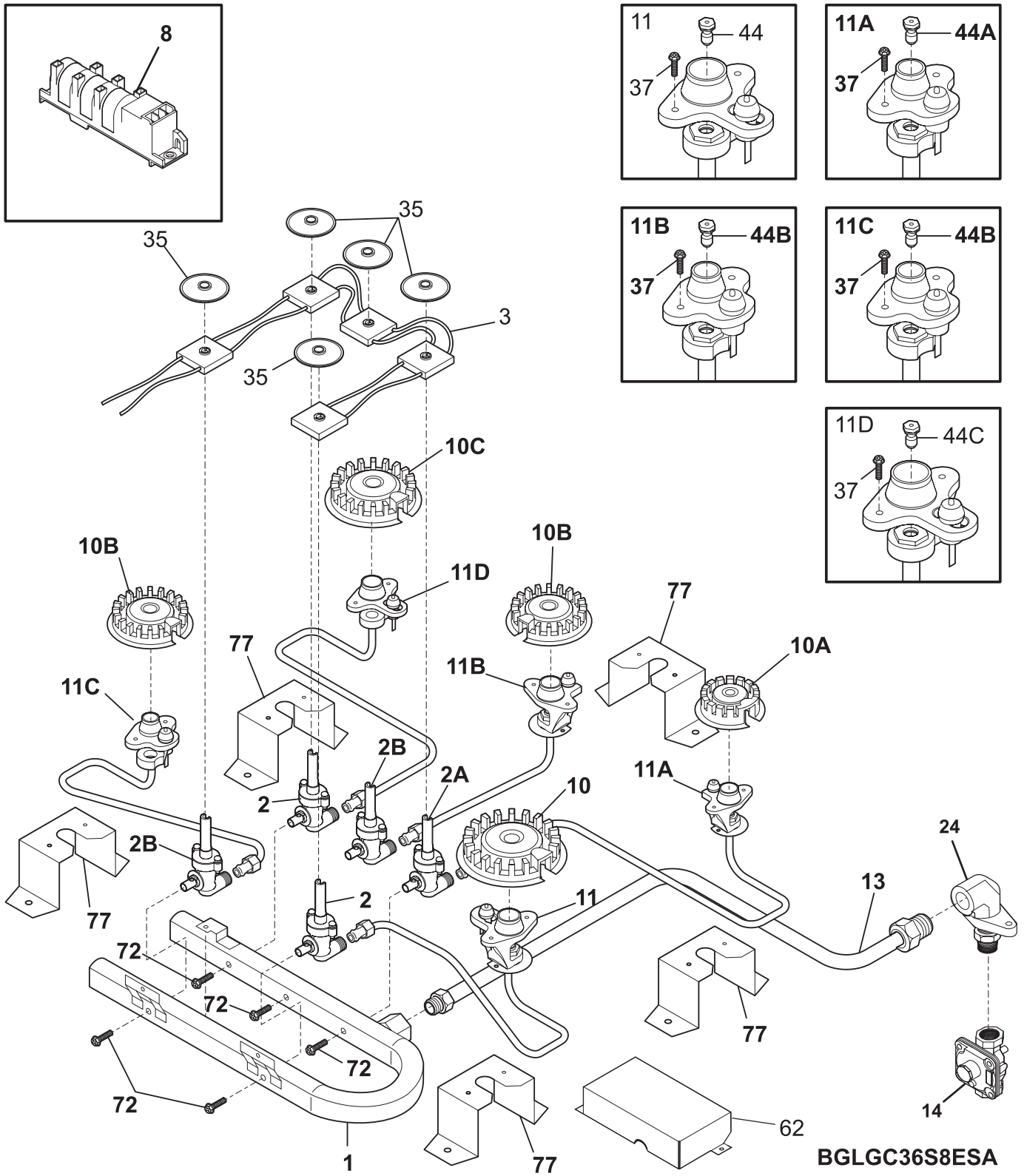
MGLGC36S8ESA

COOK TOP

Model Index: A GLGC36S8E (GLGC36S8ESA)
 B GLGC36S8E (GLGC36S8EBA)
 C GLGC36S8E (GLGC36S8EQA)

POS. NO	PART NO.		DESCRIPTION
3	318171401	A B C	Support
16	318018935	A - -	Glass, main top, white
16	318018937	- B -	Glass, main top, black
16	318018936	- - C	Glass, main top, bisque
20	318321301	A - -	Grate, double, gray, (2)
20	318321300	- B -	Grate, double, black, (2)
20	318321302	- - C	Grate, double, brown, (2)
20A	318321401	A - -	Grate, gray, center
20A	318321400	- B -	Grate, black, center
20A	318321402	- - C	Grate, brown, center
21	316241700	A - -	Skirt, 11K burner, gray
21	316241701	- B -	Skirt, 11K burner, black
21	316241706	- - C	Skirt, 11K burner, brown
21A	316264900	A - -	Skirt, 14K burner, gray
21A	316264901	- B -	Skirt, 14K burner, black
21A	316264905	- - C	Skirt, 14K burner, brown
21B	316241900	A - -	Skirt, 5K burner, gray
21B	316241901	- B -	Skirt, 5K burner, black
21B	316241906	- - C	Skirt, 5K burner, brown
21C	316241800	A - -	Skirt, 9.5K burner, gray
21C	316241801	- B -	Skirt, 9.5K burner, black
21C	316241806	- - C	Skirt, 9.5K burner, brown
22	316242801	A - -	Cap, 11K burner, gray
22	316242800	- B -	Cap, 11K burner, black
22	316242805	- - C	Cap, 11K burner, brown
22A	316219801	A - -	Cap, 14K burner, gray
22A	316219800	- B -	Cap, 14K burner, black
22A	316219804	- - C	Cap, 14K burner, brown
22B	316206501	A - -	Cap, 5K burner, gray
22B	316206500	- B -	Cap, 5K burner, black
22B	316206504	- - C	Cap, 5K burner, brown
22C	316242901	A - -	Cap, 9.5K burner, gray
22C	316242900	- B -	Cap, 9.5K burner, black
22C	316242905	- - C	Cap, 9.5K burner, brown
31	316242001	A B C	Seal, 12K burner
31A	316242000	A B C	Seal, 14K burner
31B	316242003	A B C	Seal, 5K burner
31C	316242002	A B C	Seal, 9.5K burner
36	318196161	A - -	Knob, control, white
36	318196163	- B -	Knob, control, black
36	318196162	- - C	Knob, control, bisque
45	318146211	A B C	Bushing, black
46	318077005	A B C	Box, burner
47	318144006	A B C	Cord, service
132	3201437	A B C	Strain relief
136	5303935029	A B C	Support
137	5303285443	A B C	Screw, lock bracket, 10-24 x 2.00
*	5303211311	A B C	Screw, 8 x 0.500

BURNER



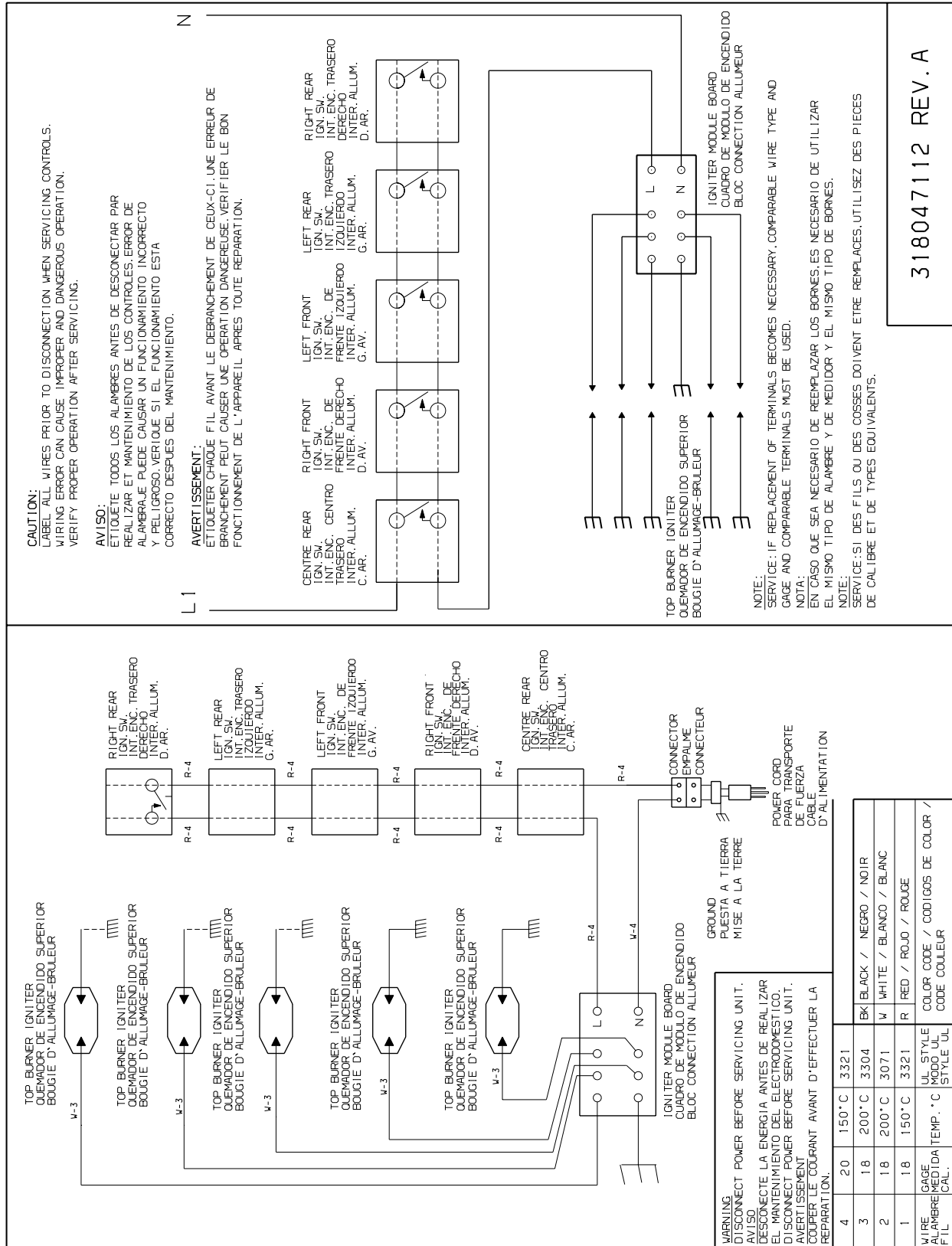
BGLGC36S8ESA

BURNER

Model Index: A GLGC36S8E (GLGC36S8ESA)
 B GLGC36S8E (GLGC36S8EBA)
 C GLGC36S8E (GLGC36S8EQA)

POS. NO	PART NO.		DESCRIPTION
1 #	318177205	A B C	Manifold Pipe
*	08011955	A B C	Screw, 10-24 x 0.375, square drive
2 #	318087315	A B C	Valve, burner, 11K/14K
2A #	318087313	A B C	Valve, burner, 5K
2B #	318087314	A B C	Valve, burner, 9.5K
3 #	318232605	A B C	Wiring Harness, w/igntr switch
8	318079001	A B C	Module, spark
10 #	316223400	A B C	Burner, sealed, 14K
10A#	316206400	A B C	Burner, sealed, 5K
10B#	316212400	A B C	Burner, sealed, 9.5K
10C#	316212300	A B C	Burner, sealed, 12K
11 #	318221361	A B C	Ignitor/orifice assy., top burner, RH front, 14K, w/holder-tube
11A#	318221358	A B C	Ignitor/orifice assy., top burner, RH rear, 5K, w/holder-tube
11B#	318221359	A B C	Ignitor/orifice assy., top burner, center, 9.5K, w/holder, tube
11C#	316224700	A B C	Ignitor/orifice assy., top burner, front, 9.5K, w/holder, tube
11D#	316224801	A B C	Ignitor/orifice assy., top burner, rear, 12K, w/holder, tube
13	318054505	A B C	Connection, manifold tube
14 #	5308007974	A B C	Regulator, pressure
24	318054000	A B C	Elbow, fitting
35	318146301	A B C	Bushing
37	316240600	A B C	Screw, assy mtg, ignitor/orifice
44	316237900	A B C	Orifice, top burner, 14K
44A	316237903	A B C	Orifice, top burner, 5K
44B	316237902	A B C	Orifice, top burner, 9.5K
44C	316237908	A B C	Orifice, top burner, 10K
62	318160203	A B C	Cover, spark module
72	316134300	A B C	Screw, 10-24, valve mounting
77	318192600	A B C	Bracket, burner mtg, (5)
77*	5304403558	A B C	Screw, 10-16 x 0.250
*	318199733	A B C	Wiring Harness, ignitor
* #	318127426	A B C	LP Conversion Kit

WIRING DIAGRAM



318047112 REV. A