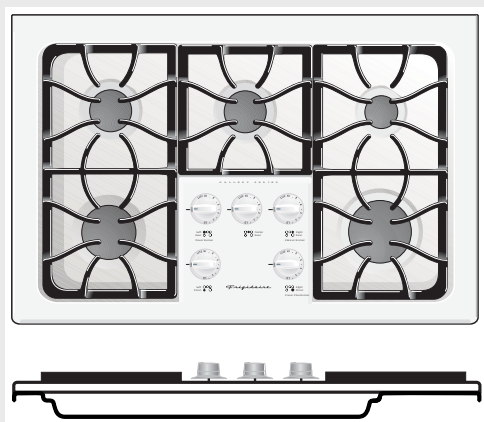


Frigidaire

Factory Parts Catalog



Product No.	GLGC36S9EBA	GLGC36S9EQA	GLGC36S9ESA
	3775641675061	3775641675041	3775641675011
Series	36" gas	36" gas	36" gas
Color	black	bisque	white
Market	North America	North America	North America
Wiring Diagram	318047112	318047112	318047112
Owner's Guide	318200672	318200672	318200672
Installation Instructions	318201462	318201462	318201462

 **Electrolux**

Electrolux Major Appliances
North & Latin America
P.O. BOX 212378
AUGUSTA, GA 30917

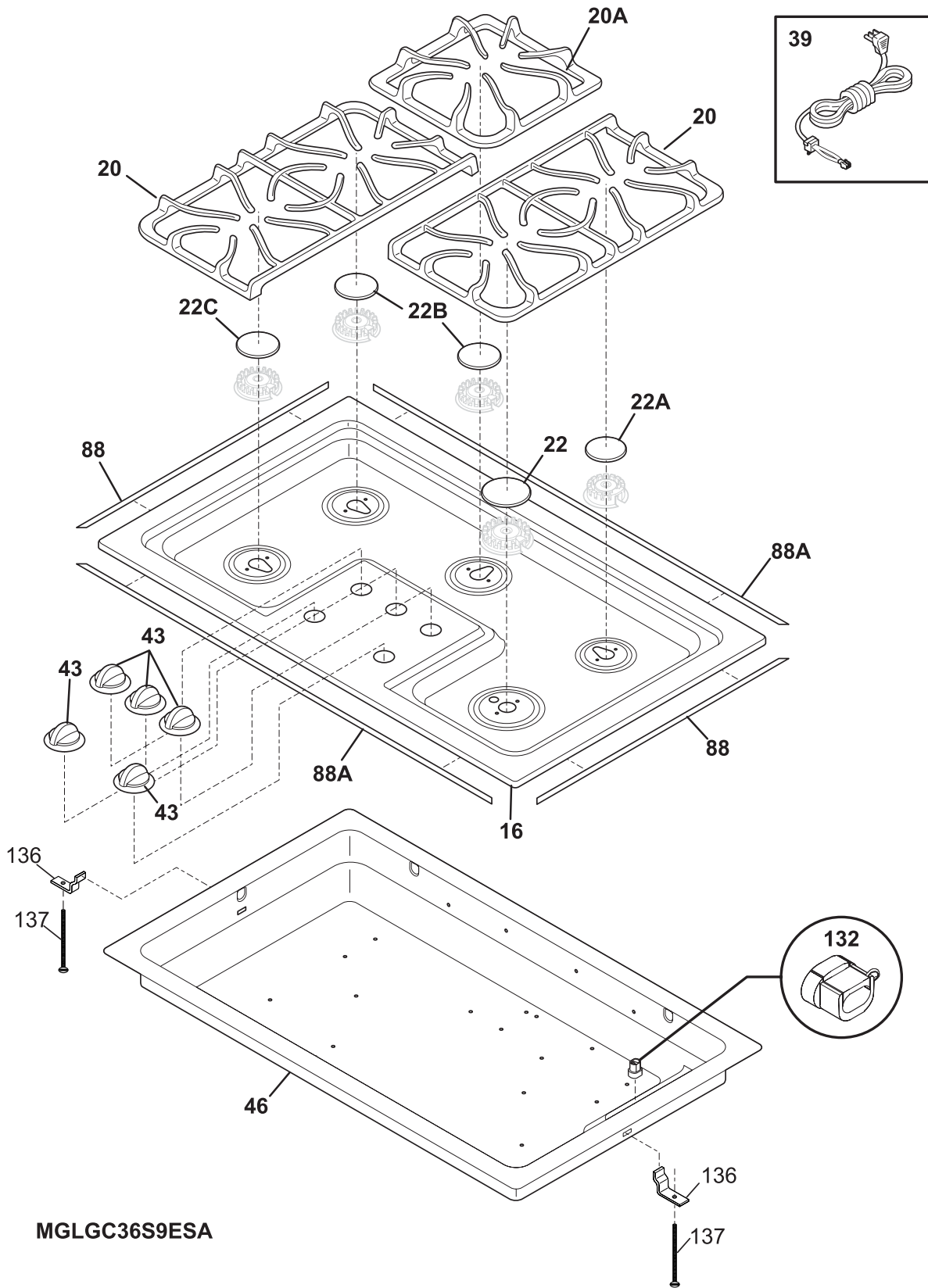
Publication No.
5995451472
05/10/17
(EN/SERVICE/ECL)
377

**GAS COOK-TOP
RANGE**

**Model No.
GLGC36S9E**

Copyright © 2005 Electrolux Home Products, Inc.
All rights reserved.

COOK TOP



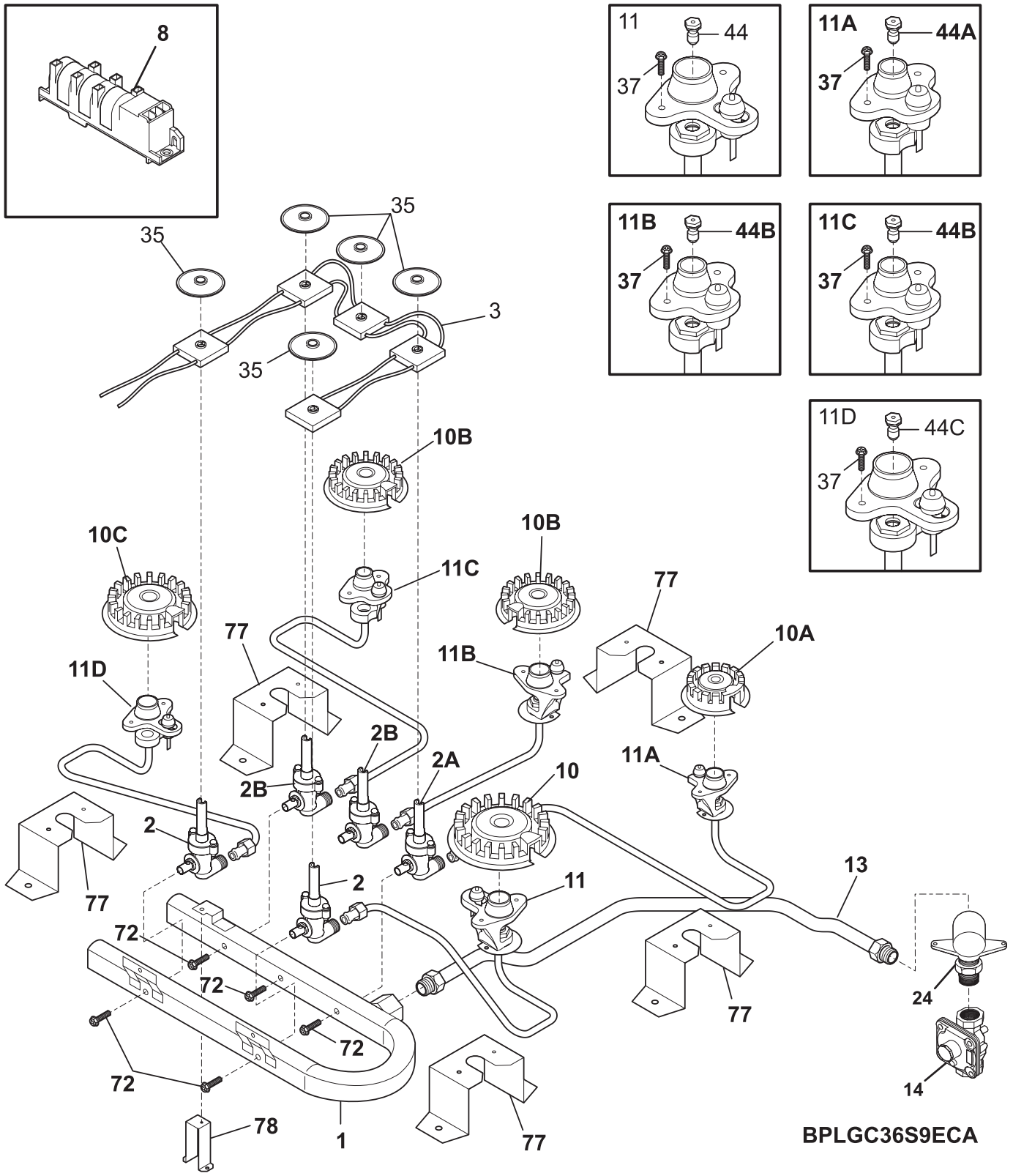
MGLGC36S9ESA

COOK TOP

Model Index: A GLGC36S9E (GLGC36S9ESA)
 B GLGC36S9E (GLGC36S9EBA)
 C GLGC36S9E (GLGC36S9EQA)

POS. NO	PART NO.		DESCRIPTION
16	318296433	A - -	Maintop, white
16	318296435	- B -	Maintop, black
16	318296434	- - C	Maintop, bisque
20	318221667	A - -	Grate, gray, (2)
20	318221666	- B -	Grate, black, (2)
20	318221668	- - C	Grate, brown, (2)
20A	318221742	A - -	Grate, grey, center
20A	318221741	- B -	Grate, black, center
20A	318221743	- - C	Grate, brown, center
22	316219901	A - -	Cap, 14K burner, grey
22	316219900	- B -	Cap, 14K burner, black
22	316219904	- - C	Cap, 14K burner, brown
22A	316206601	A - -	Cap, 5K burner, gray
22A	316206600	- B -	Cap, 5K burner, black
22A	316206602	- - C	Cap, 5K burner, brown
22B	316213501	A - -	Cap, 9.5K burner, gray
22B	316213500	- B -	Cap, 9.5K burner, black
22B	316213503	- - C	Cap, 9.5K burner, brown
22C	316213601	A - -	Cap, 12K burner, gray
22C	316213600	- B -	Cap, 12K burner, black
22C	316213603	- - C	Cap, 12K burner, brown
39	318144006	A B C	Cord, service
43	318196161	A - -	Knob, control, white
43	318196163	- B -	Knob, control, black
43	318196162	- - C	Knob, control, bisque
46	318279000	A B C	Box, burner
88	318280101	A B C	Gasket, cooktop, 21.48", sides, (2)
88A	318280102	A B C	Gasket, cooktop, 35.78", front/back, (2)
132	3201437	A B C	Strain relief
136	318264300	A B C	Support, box, (2)
137	5303285443	A B C	Screw, lock bracket, 10-24 x 2.00
*	5303307980	A B C	Screw, 8-32 x 0.437, (4)

BURNER



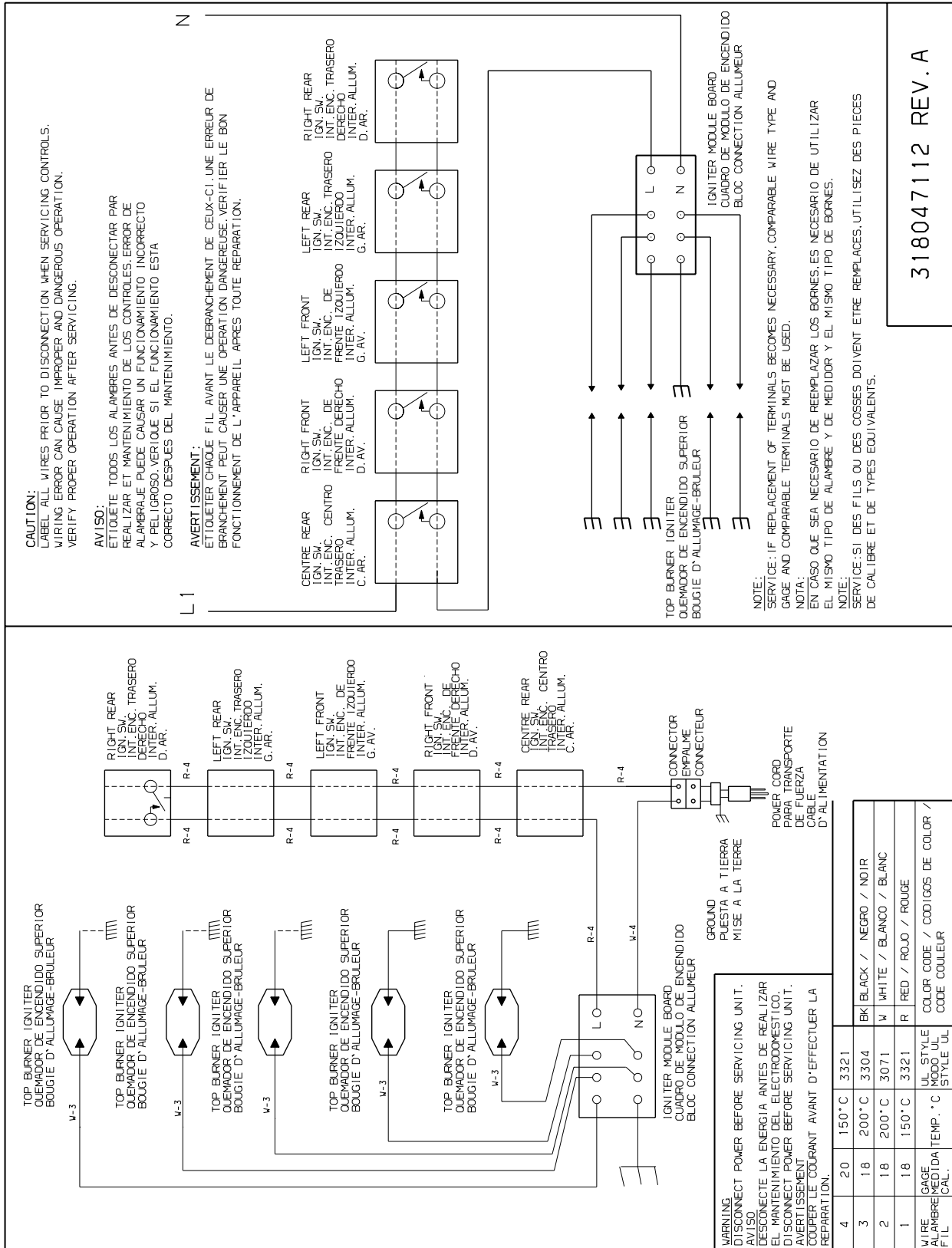
BPLGC36S9ECA

BURNER

Model Index: A GLGC36S9E (GLGC36S9ESA)
 B GLGC36S9E (GLGC36S9EBA)
 C GLGC36S9E (GLGC36S9EQA)

POS. NO	PART NO.		DESCRIPTION
1 #	318177206	A B C	Manifold Pipe
*	08011955	A B C	Screw, 10-24 x 0.375, square drive
2 #	318087315	A B C	Valve, burner, 14K
2A #	318087313	A B C	Valve, burner, 5K
2B #	318087314	A B C	Valve, burner, 9.5K, (2)
3 #	318232612	A B C	Wiring Harness, w/igntr switch
8	318079001	A B C	Module, spark
*	5303311532	A B C	Screw, 6-32 x 1/4", back
10 #	316223400	A B C	Burner, sealed, 14K
10A#	316206400	A B C	Burner, sealed, 5K
10B#	316212400	A B C	Burner, sealed, 9.5K
10C#	316212300	A B C	Burner, sealed, 12K
11 #	318221344	A B C	Ignitor/orifice assy., top burner, right front, 14K, w/holder, tube
11A#	318221343	A B C	Ignitor/orifice assy., top burner, right rear, 5K, w/holder, tube
11B#	318221342	A B C	Ignitor/orifice assy., top burner, center, 9.5K, w/holder, tube
11C#	318221339	A B C	Ignitor/orifice assy., top burner, left rear, 9.5K, w/holder, tube
11D#	318221341	A B C	Ignitor/orifice assy., top burner, left front, 12K, w/holder, tube
13	318054509	A B C	Connector, manifold tube
14 #	5308007974	A B C	Regulator, pressure
24	318054000	A B C	Elbow, fitting
35	318146301	A B C	Bushing
37	316240600	A B C	Screw, assy mtg, ignitor/orifice
44	316237900	A B C	Orifice, top burner, 14K
44A	316237903	A B C	Orifice, top burner, 5K
44B	316237902	A B C	Orifice, top burner, 9.5K
44C	316237901	A B C	Orifice, top burner, 12K
72	316134300	A B C	Screw, 10-24, valve mounting
77	318192600	A B C	Bracket, burner mtg, (5)
77*	5304403558	A B C	Screw, 10-16 x 0.250
78	318280500	A B C	Support, manifold pipe
*	318199743	A B C	Wiring Harness, ignitor
* #	318127426	A B C	LP Conversion Kit

WIRING DIAGRAM



318047112 REV. A