

GAS COOKTOP INSTALLATION INSTRUCTIONS

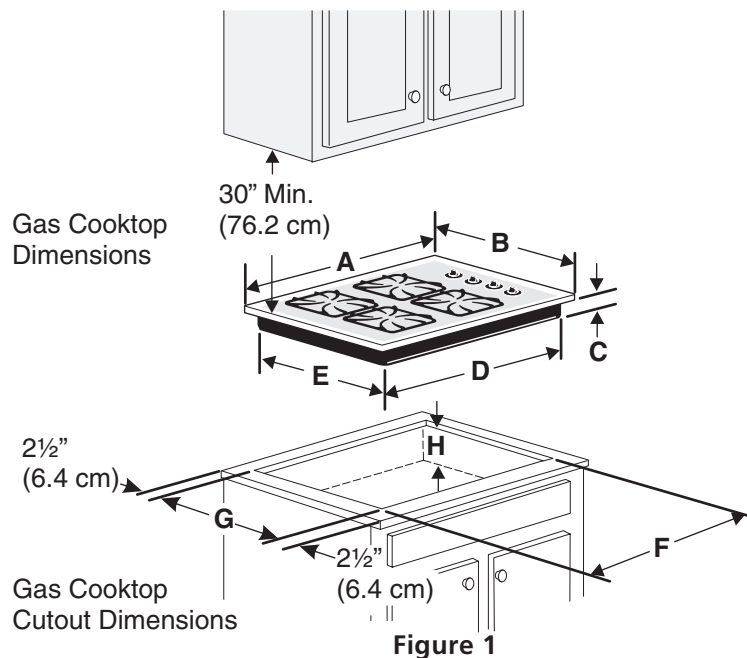
(For 30" & 36" Models)

**INSTALLATION AND SERVICE MUST BE PERFORMED BY A QUALIFIED INSTALLER.
IMPORTANT: SAVE FOR LOCAL ELECTRICAL INSPECTOR'S USE.
READ AND SAVE THESE INSTRUCTIONS FOR FUTURE REFERENCE.**

⚠ WARNING If the information in this manual is not followed exactly, a fire or explosion may result causing property damage, personal injury or death.

FOR YOUR SAFETY:

- Do not store or use gasoline or other flammable vapors and liquids in the vicinity of this or any other appliance.
- **WHAT TO DO IF YOU SMELL GAS:**
 - Do not try to light any appliance.
 - Do not touch any electrical switch; do not use any phone in your building.
 - Immediately call your gas supplier from a neighbor's phone. Follow the gas supplier's instructions.
 - If you cannot reach your gas supplier, call the fire department.
- Installation and service must be performed by a qualified installer, service agency or the gas supplier.



PRODUCT DIMENSIONS					
MODEL	A. LENGTH	B. WIDTH	C. DEPTH	D. BOX LENGTH	E. BOX WIDTH
30" Gas Cooktop	30 (76.2)	21¾ (55.2)	4¼ (10.8)	27 (68.6)	19 (48.3)
36" Gas Cooktop	36 (91.4)	21¾ (55.2)	4¼ (10.8)	33¾ (84.5)	19 (48.3)
CUTOUT DIMENSIONS					
MODEL	F. LENGTH		G. WIDTH		H. DEPTH BELOW COOKTOP*
	MINIMUM	MAXIMUM	MINIMUM	MAXIMUM	
30" Gas Cooktop	27¼ (69.2)	28½ (72.4)	19⅞ (48.6)	19¾ (50.2)	8 (20.3)
36" Gas Cooktop	33⅞ (86.1)	34¼ (87)	19⅞ (48.6)	19¾ (50.2)	8 (20.3)

All dimensions are stated in inches and (cm).

Dimension F includes a 5" (12.7 cm) space underneath the cooktop for connection to gas supply line.

NOTE: Wiring diagrams for this cooktop are enclosed in this booklet

Printed in United States

318201462 (0505) Rev. A

English - pages 1-9

Español - páginas 10-18

Français - pages 19-26

Wiring Diagram 27-28

GAS COOKTOP INSTALLATION INSTRUCTIONS

(For 30" & 36" Models)

Important Notes to the Installer

1. Read all instructions contained in these installation instructions before installing the cooktop.
2. Remove all packing material before connecting the electrical supply to the cooktop.
3. Observe all governing codes and ordinances.
4. Be sure to leave these instructions with the consumer.
5. Note: For operation at 2000 ft. elevations above see level, appliance rating shall be reduced by 4 percent for each additional 1000 ft.

Important Note to the Consumer

Keep these instructions with your Use and Care Guide for future reference.

IMPORTANT SAFETY INSTRUCTIONS

Installation of this cooktop must conform with local codes or, in the absence of local codes, with the National Fuel Gas Code ANSI Z223.1/NFPA 54 in the United States, or in Canada, with the Canadian Fuel Gas Code, CAN/CGA B149 and CAN/CGA B149.2.

- When installed in a manufactured (mobile) home installation must conform with the Manufactured Home Construction and Safety Standard, title 24 CFR, part 3280 [Formerly the Federal Standard for Mobile Home Construction and Safety, title 24, HUD (part 280)] or, when such standard is not applicable, the Standard for Manufactured Home Installation, ANSI/NCSBCS A225.1 or with local codes where applicable.

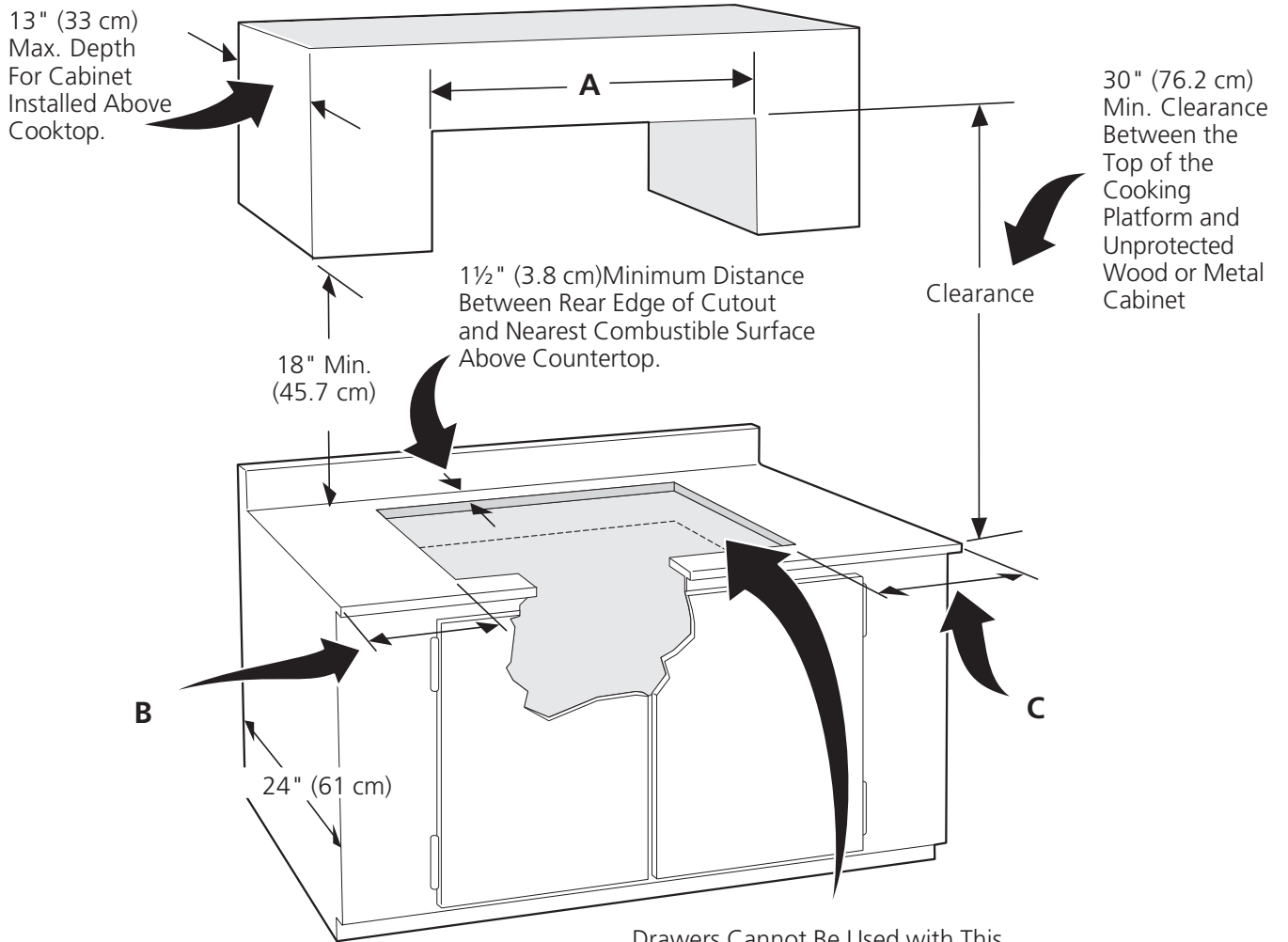
This cooktop has been design certified by CSA International. As with any appliance using gas and generating heat, there are certain safety precautions you should follow. You will find them in the [Use and Care Guide](#), read it carefully.

- **Be sure your cooktop is installed and grounded properly by a qualified installer or service technician.**
- **This cooktop must be electrically grounded in accordance with local codes or, in their absence, with the National Electrical Code ANSI/NFPA No. 70—latest edition in the United States, or in Canada, with the Canadian Electrical Code, CSA C22.1 Part 1.**
- **The burners can be lit manually during an electrical power outage. To light a burner, hold a lit match to the burner head, then slowly turn the Surface Control knob to LITE. Use caution when lighting burners manually.**
- **Do not store items of interest to children in cabinets above the cooktop.** Children could be seriously burned climbing on the cooktop to reach items.
- **To eliminate the need to reach over the surface burners, cabinet storage space above the burners should be avoided.**
- **Adjust surface burner flame size so it does not extend beyond the edge of the cooking utensil.** Excessive flame is hazardous.
- **Never use your cooktop for warming or heating the room.** Prolonged use of the cooktop without adequate ventilation can be hazardous.
- **Do not store or use gasoline or other flammable vapors and liquids near this or any other appliance.** Explosions or fires could result.

⚠ WARNING The electrical power to the cooktop must be shut off while gas line connections are being made. Failure to do so could result in serious injury or death.

GAS COOKTOP INSTALLATION INSTRUCTIONS

(For 30" & 36" Models)



Drawers Cannot Be Used with This Cooktop Since Burner Box Extends 3⁵/₃₂" (8.02 cm) Below Surface of Countertop.

CAUTION To eliminate the risk of burns or fire from reaching over heated surfaces, cabinet storage space located above the cooktop should be avoided. If cabinet storage is provided, risk can be reduced by installing a range hood that projects horizontally a minimum of 5" (12.7 cm) beyond the bottom of the cabinets.

MODEL	A	B. Minimum Clearance from Left Side	C. Minimum Clearance from Right Side
30" Cooktop	30" (76.2 cm)	5" (12.7 cm)	5" (12.7 cm)
36" Cooktop	36" (91.4 cm)	5" (12.7 cm)	5" (12.7 cm)

Figure 2 – CABINET DESIGN

GAS COOKTOP INSTALLATION INSTRUCTIONS

(For 30" & 36" Models)

Typical Under Counter Installation of an Electric Built-in Oven with a Cooktop Mounted Above

WARNING

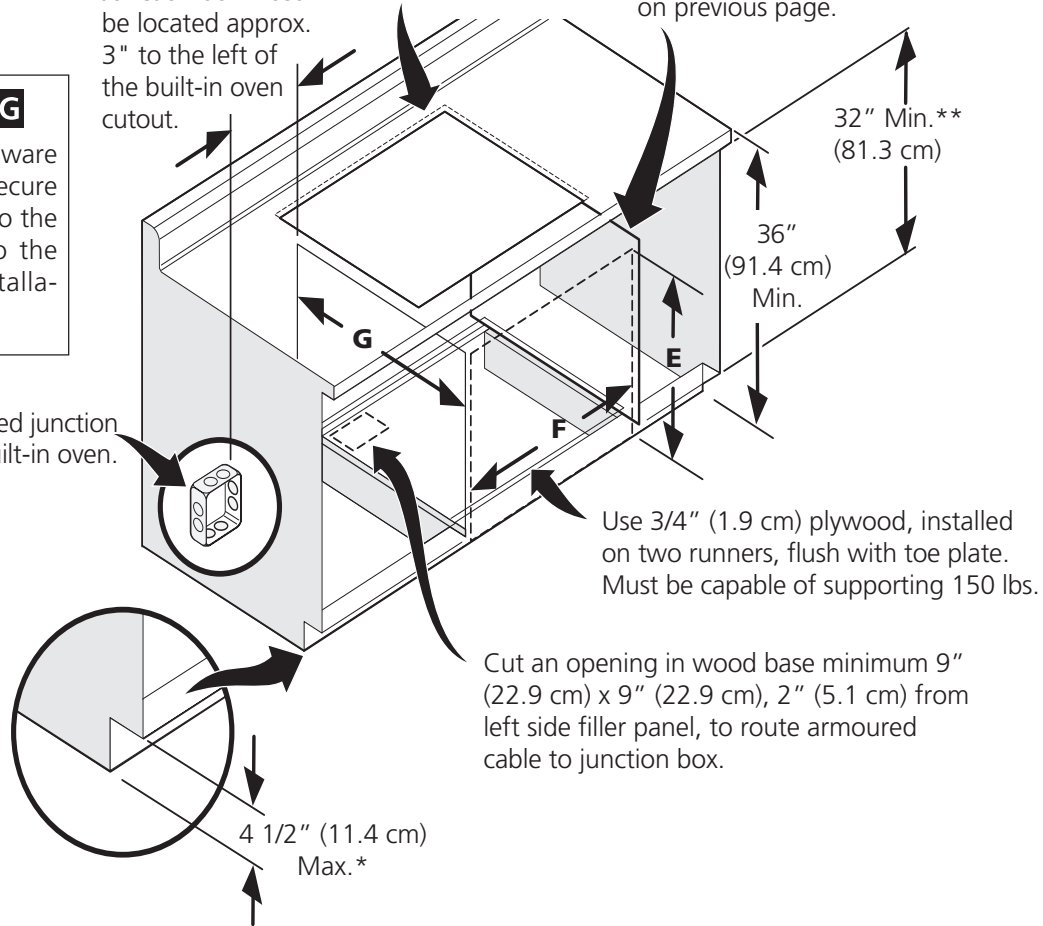
All mounting hardware must be used to secure the built-in oven to the cabinets. Refer to the built-in oven installation instructions.

Junction box must be located approx. 3" to the left of the built-in oven cutout.

This cooktop may be installed over certain built-in electric oven models.

Side filler panels are necessary to isolate the unit from adjoining cabinets. Panel height should allow for installation of approved cooktop models. See "Typical Gas Cooktop Installation Over an Electric Built-in Oven Installed Under the Counter" on previous page.

208/240 Volt grounded junction box for built-in oven.



Use 3/4" (1.9 cm) plywood, installed on two runners, flush with toe plate. Must be capable of supporting 150 lbs.

Cut an opening in wood base minimum 9" (22.9 cm) x 9" (22.9 cm), 2" (5.1 cm) from left side filler panel, to route armoured cable to junction box.

OVEN SIZE	CUTOUT DIMENSIONS (inches)					
	E		F		G	
	Min.	Max.	Min.	Max.		
30" (76.2 cm)	27 1/4" (69.2 cm)	28 5/8" (72.7 cm)	28 1/2" (72.4 cm)	29" (73.7 cm)	23 1/2" (59.7 cm)	
27" (68.6 cm)	27 1/4" (69.2 cm)	28 5/8" (72.7 cm)	24 7/8" (63.1 cm)	25 1/4" (64.1 cm)	23 1/2" (59.7 cm)	

* If no cooktop is installed directly over the oven unit, 5" (12.7 cm) maximum is allowed.

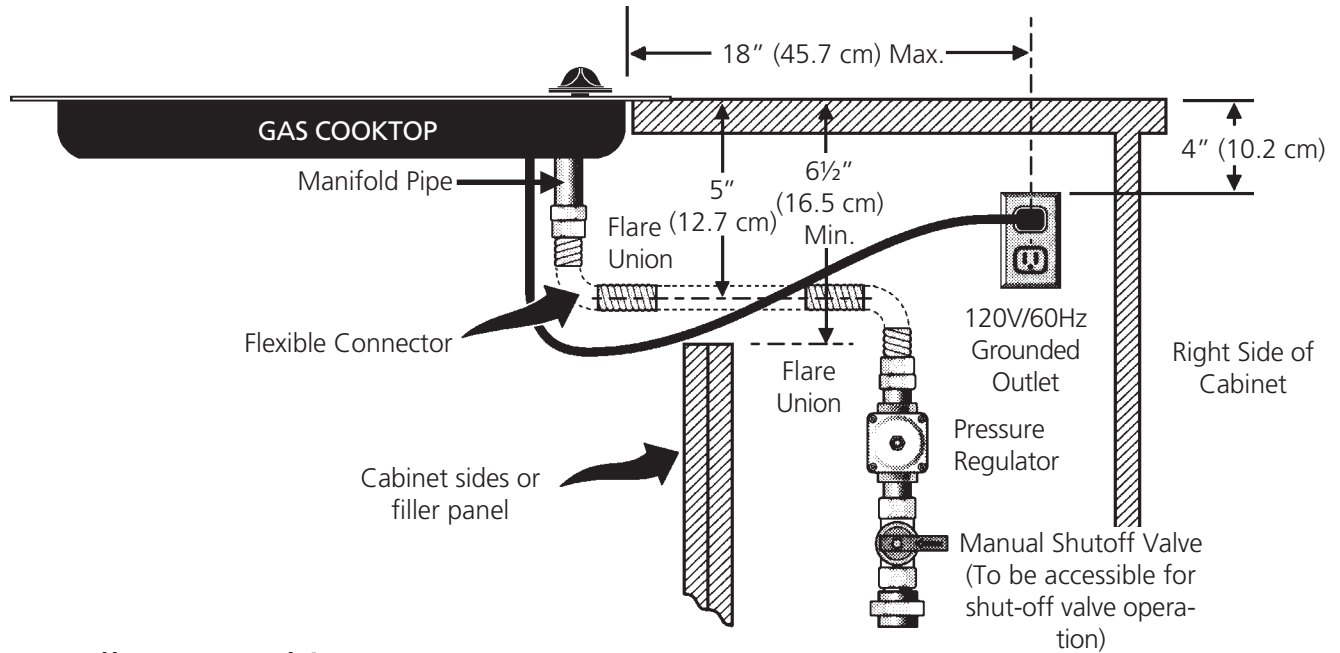
** 32" (81.3 cm) min. from top of cabinet to top of runners must be maintained.

Figure 3

GAS COOKTOP INSTALLATION INSTRUCTIONS

(For 30" & 36" Models)

Typical Gas Cooktop Installation Over an Electric Built-in Oven Installed Under the Counter



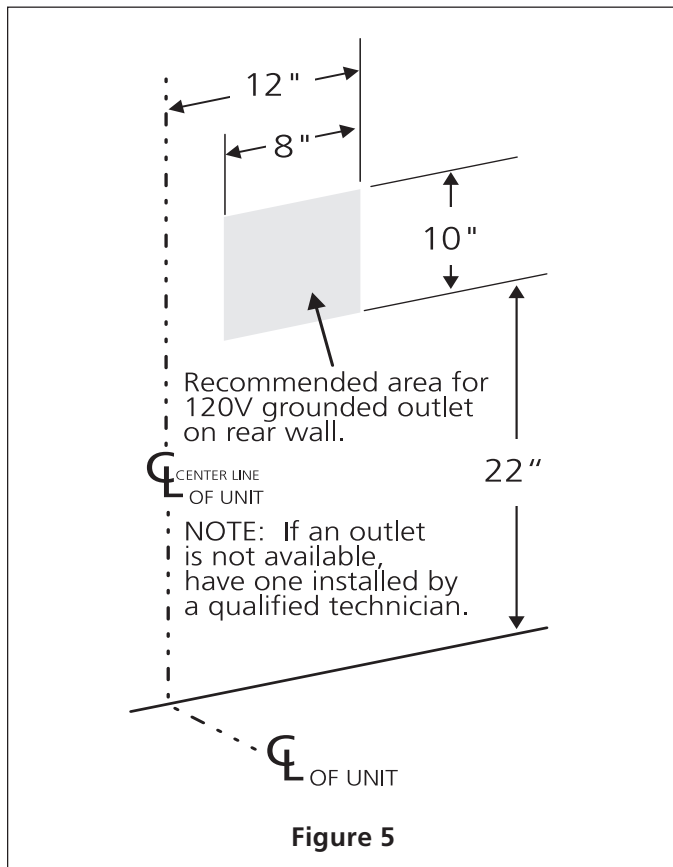
Wall Oven Cabinet

Figure 4

GAS COOKTOP INSTALLATION INSTRUCTIONS

(For 30" & 36" Models)

Wall Outlet Location



To clamp down, insert an angle bracket into the slot on each side of the unit as shown. Run thumb screw up through the bracket, up against the bottom of the counter. Tighten until the unit draws down and is secure.

Provide an Adequate Gas Supply

This cooktop is designed to operate on natural gas at 4" of manifold pressure only.

A pressure regulator is connected in series with the manifold on the cooktop and must remain in series with the supply line.

For proper operation, the maximum inlet pressure to the regulator must be no more than 14" of water column (W.C.) pressure.

For checking the regulator, the inlet pressure must be at least 1" (or 2.5 kPa) greater than the regulator manifold pressure setting. The regulator is set for 4" of manifold pressure, the inlet pressure must be at least 5".

The gas supply line to the range should be 1/2" or 3/4" pipe.

LP/Propane Gas Conversion

This appliance can be used with Natural gas or LP/Propane gas. It is shipped from the factory for use with natural gas.

A kit for converting to LP gas is supplied with your cooktop. The kit is marked "FOR LP/PROPANE GAS CONVERSION".

The conversion must be performed by a qualified service technician in accordance with the kit instructions and all local codes and requirements. Failure to follow instructions could result in serious injury or property damage. The qualified agency performing this work assumes responsibility for the conversion.

WARNING Failure to make the appropriate conversion can result in serious personal injury and property damage.

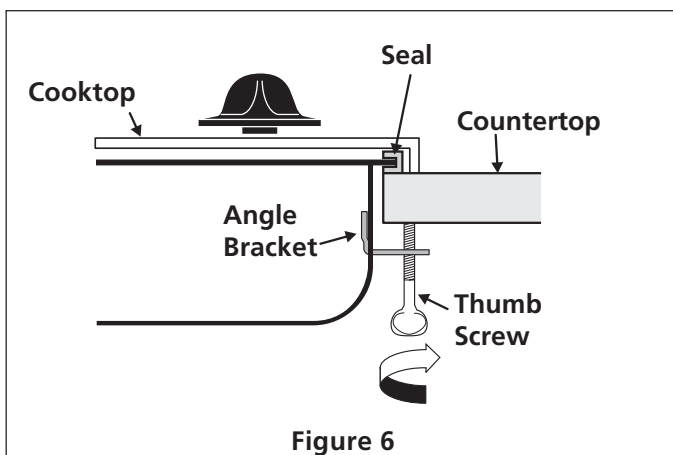
Cooktop Installation

1. Visually inspect the cooktop for damage.
2. Set the cooktop into the countertop cutout.

NOTE: Do not use caulking compound; cooktop should be removable for service when needed.

Clamp Down Information

Once the cooktop is installed in the counter opening, you must clamp the unit down as shown.



GAS COOKTOP INSTALLATION INSTRUCTIONS

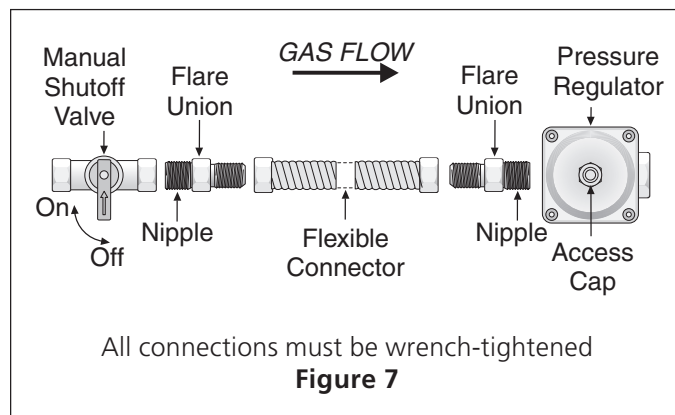
(For 30" & 36" Models)

Important: Remove all packing material and literature from cooktop before connecting gas and electrical supply to cooktop.

Install Pressure Regulator

Install the pressure regulator with the arrow on the regulator pointing up toward the unit in a position where you can reach the access cap.

⚠ WARNING Do not make the connection too tight. The regulator is die cast. Overtightening may crack the regulator resulting in a gas leak and possible fire or explosion.

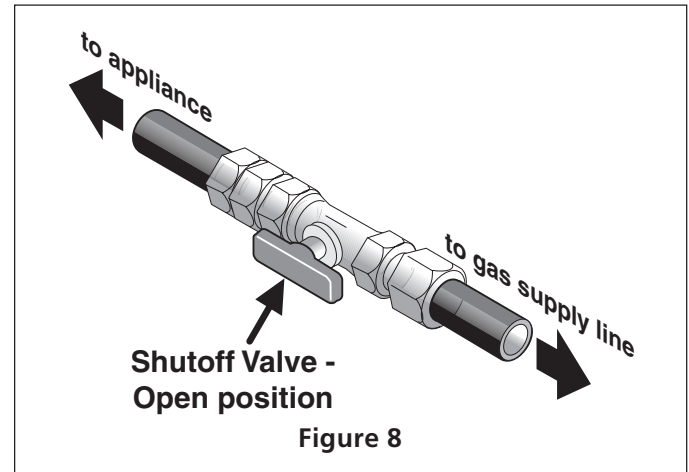


Assemble the flexible connector from the gas supply pipe to the pressure regulator in the following order:

1. manual shutoff valve
2. 1/2" (1.3 cm) nipple
3. 1/2" (1.3 cm) flare union adapter
4. flexible connector
5. 1/2" (1.3 cm) flare union adapter
6. 1/2" (1.3 cm) nipple
7. pressure regulator

Use pipe-joint compound made for use with Natural and LP/Propane gas to seal all gas connections. If flexible connectors are used, be certain connectors are not kinked.

The supply line must be equipped with an approved manual shutoff valve. This valve should be located in the same room as the cooktop and should be in a location that allows ease of opening and closing. Do not block access to the shutoff valve. The valve is for turning on or shutting off gas to the appliance.



Once regulator is in place, open the shutoff valve in the gas supply line. Wait a few minutes for gas to move through the gas line.

Check for leaks. After connecting the cooktop to the gas supply, check the system for leaks with a manometer. If a manometer is not available, turn on the gas supply and use a liquid leak detector (or soap and water) at all joints and connections to check for leaks.

⚠ WARNING Do not use a flame to check for leaks from gas connections. Checking for leaks with a flame may result in a fire or explosion.

Tighten all connections if necessary to prevent gas leakage in the cooktop or supply line.

Check alignment of control knob valves after connecting the cooktop to the gas supply to be sure the cooktop manifold pipe has not moved. A misalignment could cause the valve stems to rub on the control panel, resulting in a gas leak at the valve.

Disconnect this cooktop and its individual manual shutoff valve from the gas supply piping system during any pressure testing of that system at test pressures greater than 1/2 psig (3.5 kPa or 14" water column).

Isolate the cooktop from the gas supply piping system by closing its individual manual shutoff valve during any pressure testing of the gas supply piping system at test pressures equal to or less than 1/2 psig (3.5 kPa or 14" water column).

GAS COOKTOP INSTALLATION INSTRUCTIONS

(For 30" & 36" Models)

Electrical Requirements

120 volt, 60 Hertz, properly grounded branch circuit protected by a 15 amp circuit breaker or time delay fuse. **Do not use an extension cord with this cooktop.**

Grounding Instructions

IMPORTANT Please read carefully.

For personal safety, this appliance must be properly grounded.

The power cord of this appliance is equipped with a 3-prong (grounding) plug which mates with a standard 3-prong grounding wall receptacle (see Figure 9) to minimize the possibility of electric shock hazard from the appliance.

The wall receptacle and circuit should be checked by a qualified electrician to make sure the receptacle is properly grounded.

Preferred Method

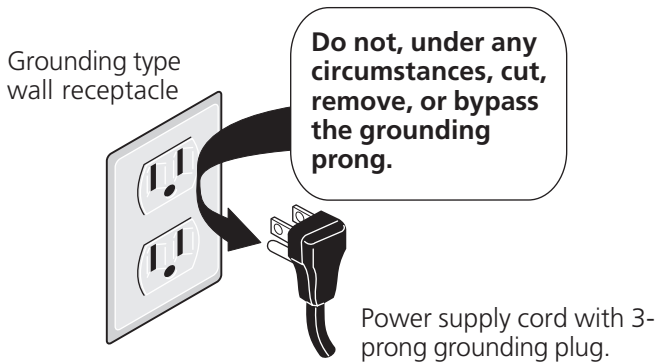


Figure 9

Where a standard 2-prong wall receptacle is installed, it is the personal responsibility and obligation of the consumer to have it replaced by a properly grounded 3-prong wall receptacle.

Do not, under any circumstances, cut or remove the third (ground) prong from the power cord.

⚠ WARNING Disconnect electrical supply cord from wall receptacle before servicing cooktop.

Check Operation

Refer to the **Use and Care Guide** packaged with the cooktop for operating instructions and for care and cleaning of your cooktop.

Do not touch the burners. They may be hot enough to cause burns.

1. Install Burner Caps

This cooktop is equipped with sealed burners as shown (see Figure 10).

- Unpack your burner heads and burner caps.
- Place burner head over each gas orifice, matching the head with the orifice size. **Be careful not to damage the electrode while placing the head over the orifice.** Make sure electrode fits correctly into slot in burner head.
- Place a burner cap on each burner head, matching the cap size to the head size. Each burner cap has an inner locating ring which centers the cap correctly on the burner head.
- Be sure that all the burner caps and burner heads are correctly placed **BEFORE** using your cooktop.

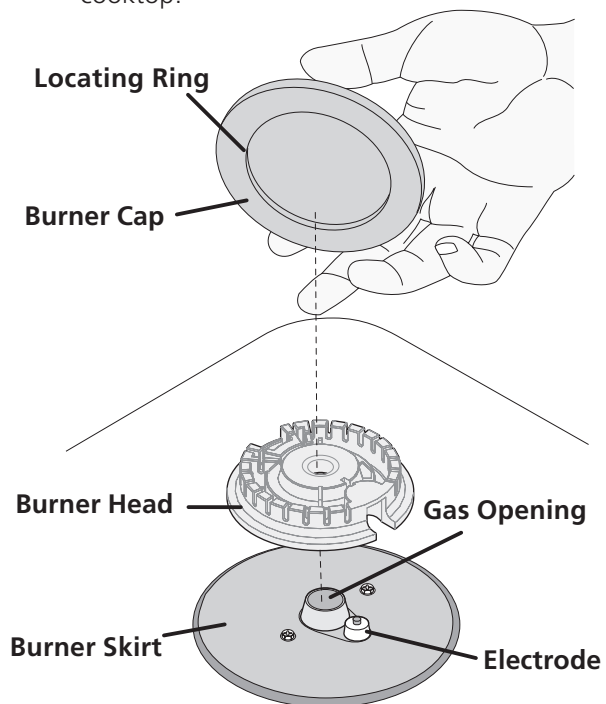


Figure 10

NOTE: There are no burner adjustments necessary on this cooktop.

GAS COOKTOP INSTALLATION INSTRUCTIONS

(For 30" & 36" Models)

2. Turn on Electrical Power and Open Main Shutoff Gas Valve

3. Check the Igniters

Operation of electric igniters should be checked after cooktop and supply line connectors have been carefully checked for leaks and the cooktop has been connected to electric power.

To operate the surface burner:

- Push in and turn a surface burner knob to the LITE position. You will hear a small ticking noise; this is the sound of the electric ignitor which lights the burner.
- After the burner lights, turn to the desired flame size. The controls do not have to be set at a particular mark. Use the marks as a guide and adjust the flame as needed.

4. Adjust the "LO" or "SIMMER" Setting of Surface Burner Valves (see Figure 11)

Push in and turn each control knob to the "LO" (or "SIMMER") setting. The "LO" setting of each burner has been set at the factory to the lowest setting available to provide reliable reignition of the burner. If it does not stay lit on the "LO" setting, check the setting as follows.

CAUTION Be careful when performing this operation.

- Allow cooktop to cool to room temperature.
- Light all burners by turning each control knob to LITE until burners ignite, and then set them at "HI".
- Quickly turn the knob of the burner you want to adjust to the LOWEST POSITION.
- If burner goes out, readjust valve as follows: Remove the surface burner control knob, insert a thin-bladed screw driver into the hollow valve stem and engage the slotted screw inside. Flame size can be increased or decreased with the turn of the screw. To increase flame size turn the screw counterclockwise and to decrease turn clockwise. Adjust flame until you can quickly turn knob from HI to LOWEST POSITION without extinguishing the flame. Flame should be as small as possible without going out.
- If you need to adjust another burner, repeat the steps from A to D above until all burners operate properly.

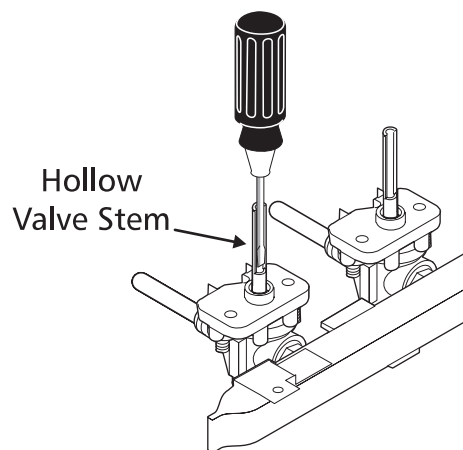


Figure 11

When All Hookups are Complete

Make sure all controls are left in the OFF position.

Make sure the flow of combustion and ventilation air to the cooktop is unobstructed.

Model and Serial Number Location

The serial plate is located on the underside of the cooktop.

When ordering parts for or making inquiries about your range, always be sure to include the model and serial numbers and a lot number or letter from the serial plate of your cooktop.

Your serial plate also tells you the rating of the burners, the type of fuel and the pressure the cooktop was adjusted for when it left the factory.

Before You Call for Service

Read the Before You Call for Service Checklist and operating instructions in your **Use and Care Guide**. It may save you time and expense. The list includes common occurrences that are not the result of defective workmanship or materials in this appliance.

Refer to the warranty in your **Use and Care Guide** for our service phone number and address. Please call or write if you have inquiries about your product and/or need to order parts.

INSTRUCCIONES DE INSTALACION PARA PLANCHA DE COCINAR A GAS

(Para modelos de 30 & 36)

LA INSTALACIÓN Y EL SERVICIO DEBEN SER REALIZADOS POR UN INSTALADOR CALIFICADO. IMPORTANTE: GUARDE ESTAS INSTRUCCIONES PARA USO DEL INSPECTOR ELÉCTRICO LOCAL. LEA Y GUARDE ESTAS INSTRUCCIONES PARA FUTURAS REFERENCIAS

⚠️ ADVERTENCIA Si todas las instrucciones de éste manual no son observadas a la letra, se puede ocurrir incendios o explosiones que pueden causar daños materiales, lesiones o la muerte.

PARA SU SEGURIDAD:

- No almacene o utilice gasolina u otros vapores y líquidos inflamables cerca de éste o cualquier otro artefacto.
- **QUE HACER SI HAY FUGAS DE GAS :**
 - No intente de encender ningún artefacto
 - No toque ningún interruptor eléctrico; no utilice ningún aparato telefónico en su edificio.
 - Llame inmediatamente al abastecedor de gas desde el teléfono de un vecino. Siga las instrucciones del abastecedor de gas.
 - En caso que no puede contactar el abastecedor de gas llame al departamento de bomberos.
- La instalación y el servicio telefónico deben ser realizados por un instalador calificado, por un servicio técnico certificado o por el abastecedor de gas.

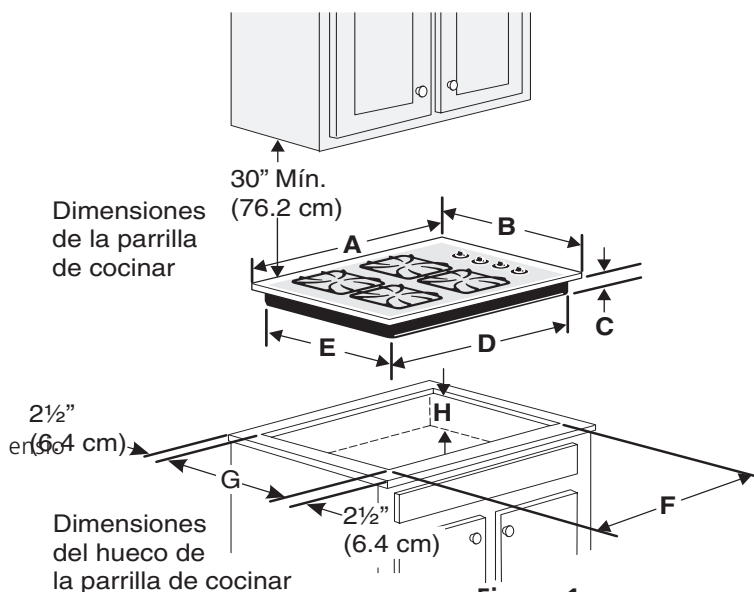


Figura 1

DIMENSIONES DE LA PARRILLA DE COCINAR					
MODELO	A. ALTURA	B. ANCHURA	C. PROFUNDIDAD	D. LARGO DE LA CAJA	E. ANCHO DE LA CAJA
Modelo 30"	30 (76.2)	21¾ (55.2)	4¼ (10.8)	27 (68.6)	19 (48.3)
Modelo 36"	36 (91.4)	21¾ (55.2)	4¼ (10.8)	33¾ (84.5)	19 (48.3)
DIMENSIONES DEL HUECO DE LA PARRILLA DE COCINAR					
MODELO	F. ALTURA		G. ANCHURA		H. PROFUNDIDAD POR DEBAJO DE LA ESTUFA*
	MÍNIMA	MAXIMÁ	MÍNIMA	MAXIMÁ	
Modelo 30"	27¼ (69.2)	28½ (72.4)	19⅞ (48.6)	19¾ (50.2)	8 (20.3)
Modelo 36"	33⅞ (86.1)	34¼ (87)	19⅞ (48.6)	19¾ (50.2)	8 (20.3)

Todas las dimensiones se dan en pulgadas (cm).

La dimensión F incluye un espacio de 5" por debajo de la plancha de cocinar para la conexión de la línea de suministro de gas.

NOTA: Se adjunta los diagramas de cables de esta plancha de cocinar con el libreta.

Imprimido en los Estados Unidos

318201462 (0505) Rev. A

English - pages 1-9

Español - páginas 10-18

Français -pages 19-26

Diagrama de la instalación alámbrica 27-28

INSTRUCCIONES DE INSTALACION PARA PLANCHA DE COCINAR A GAS

(Para modelos de 30 & 36 pulgadas)

Notas importantes para el instalador:

1. Lea todas las instrucciones de instalación antes de realizar la instalación de la plancha de cocinar.
2. Retire todos los artículos de embalaje antes de realizar las conexiones eléctricas a la plancha de cocinar.
3. Observe todos los códigos o reglamentos estatales
4. Asegúrese que el consumidor tenga estas instrucciones.
5. Nota: Para el correcto funcionamiento en lugares superiores a los 2000 ft, el régimen del mecanismo debe reducirse un 4% por cada 1000 ft sobre el nivel del mar.

Notas importantes para el consumidor

Guarde todas las instrucciones con su manual del usuario para futuras referencias.

INSTRUCCIONES DE SEGURIDAD IMPORTANTES

La instalación de esta plancha de cocinar debe realizarse en conformidad con los códigos locales o, si estos no existen, con el National Fuel Gas Code ANSI Z223.1/NFPA 54 en los Estados Unidos, o en Canada, con el Canadian Fuel Gas Code, CAN/CGA B149 y CAN/CGA B149.2.

- La instalación de aparatos diseñados para instalación en casas prefabricadas (móviles) debe conformar con el Manufactured Home Construction and Safety Standard, título 24CFR, parte 3280 [Anteriormente el Federal Standard for Mobil Home Construction and Safety, título 24, HUD (parte 280)] o cuando tal estándar no se aplica, el Standard for Manufactured Home Installation, ANSI/NCSBCS 225.1, o con los códigos locales.

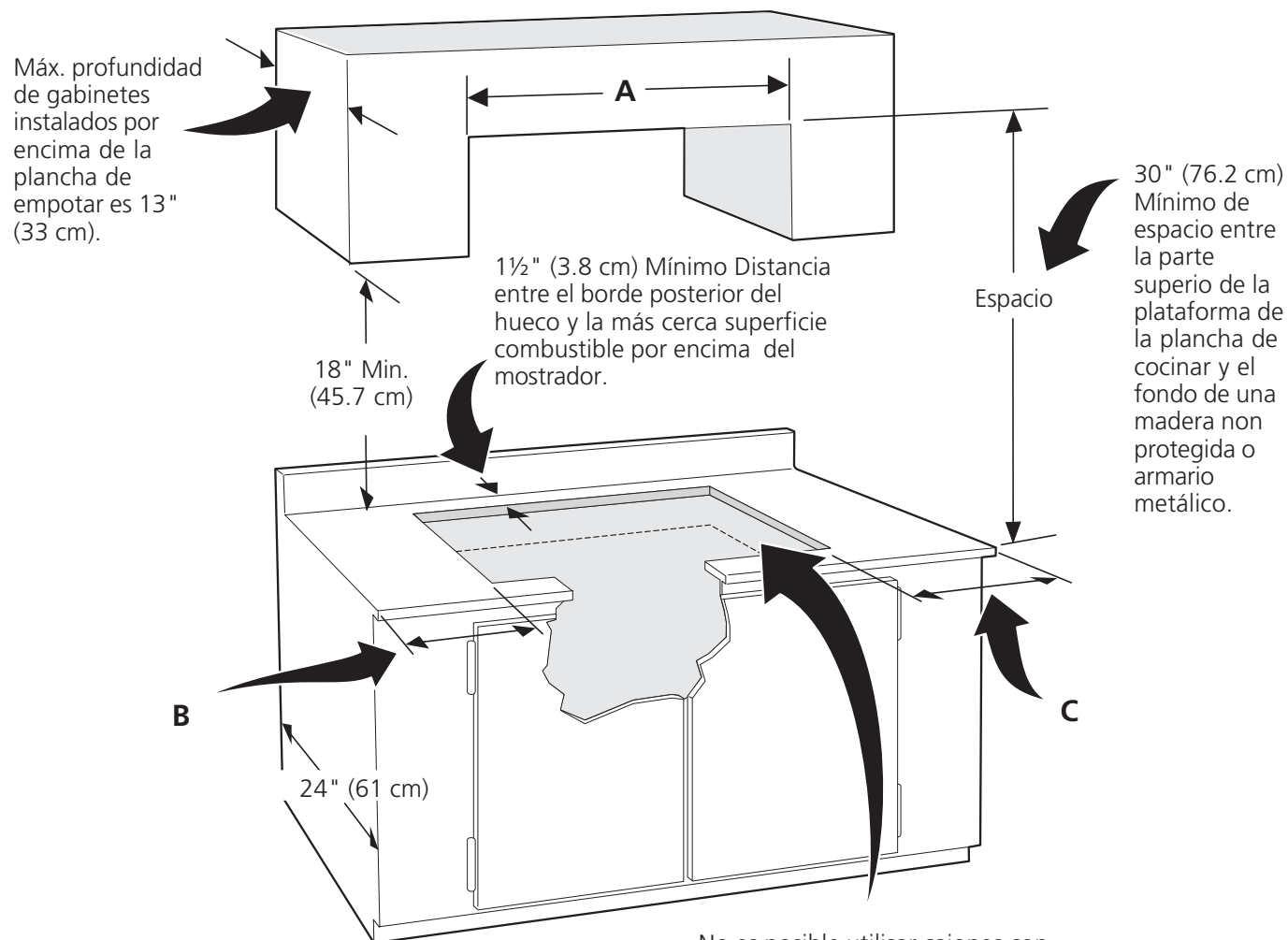
El diseño de esta plancha de cocinar cuenta con la aprobación de la CSA internacional. Al igual que todos los artefactos a gas que generan calor, deben seguirse ciertas medidas de seguridad. Vienen con el [Manual del Usuario](#). Lea atentamente el manual.

- Asegúrese que la plancha de cocinar sea instalada y puesta a tierra correctamente por un instalador o técnico calificado.
- La plancha de cocinar debe conectarse eléctricamente a tierra de acuerdo con los códigos locales o, de no existir, con el código eléctrico ANSI/NFPA No. 70 - última edición en los Estados Unidos, or in Canada, con el Canadian Electrical Code, CSA C22.1 Parte 1.
- Los quemadores pueden encenderse manualmente durante una interrupción del suministro eléctrico. Para encender un quemador, mantenga un fósforo encendido en el extremo del quemador, luego gire suavemente la perilla hasta LITE (encendido). Tenga cuidado al encender los quemadores en forma manual.
- No deje artículos que interesan los niños en los armarios que están sobre la la plancha de cocinar. Les podría causar quemaduras graves si intentan subirse para alcanzarlos.
- Para eliminar el riesgo de extender por encima de los quemadores superiores, debería evitar el espacio de almacenamiento del armario, localizado por encima de estos quemadores
- Gradue el tamaño de la llama de modo que no sobrepase el borde del utensilio de cocina. Demasiada llama es peligrosa.
- No utilice jamás la cocina como calefactor. El uso prolongado de la cocina sin la ventilación adecuada puede ser peligroso.
- Mantenga el área cerca de este artefacto o de cualquier otro artefacto despejada de sustancias combustibles, gasolina y otros líquidos inflamables. Se puede ocurrir incendios o explosiones.

⚠ ADVERTENCIA El suministro eléctrico a la plancha de cocinar debe de ser cerrado durante las conexiones a la línea. De lo contrario se puede resultar lesiones graves o la muerte.

INSTRUCCIONES DE INSTALACION PARA PLANCHA DE COCINAR A GAS

(Para modelos de 30 & 36 pulgadas)



No es posible utilizar cajones con esta parrilla de cocinar porqué la caja de empalme se extiende de 3⁵/₃₂" (8.02 cm) por encima de la superficie del mostrador.

PRECAUCION Para eliminar el riesgo de alargar sobre los unidades en calentamiento de la superficie, debería evitarse el espacio de almacenamiento del armario, ubicado sobre las unidades de la superficie. Si se cuenta con este espacio, se puede disminuir el peligro instalando una cubierta de cocina que se extienda horizontalmente en 5" (12.7 cm) mínimo por sobre la parte inferior delantera en los armarios.

MODELO DE PLANCHA DE COCINAR DE	A	B. Espacio mínimo desde el lado izquierdo	C. Espacio mínimo desde el lado derecho
30" Cooktop	30" (76.2 cm)	5" (12.7 cm)	5" (12.7 cm)
36" Cooktop	36" (91.4 cm)	5" (12.7 cm)	5" (12.7 cm)

Figura 2 – DESEÑO DEL ARMARIO

INSTRUCCIONES DE INSTALACION PARA PLANCHA DE COCINAR A GAS

(Para modelos de 30 & 36 pulgadas)

Instalación típica de la plancha de cocinar a gas por encima de un horno eléctrico empotrado instalado debajo del mostrador

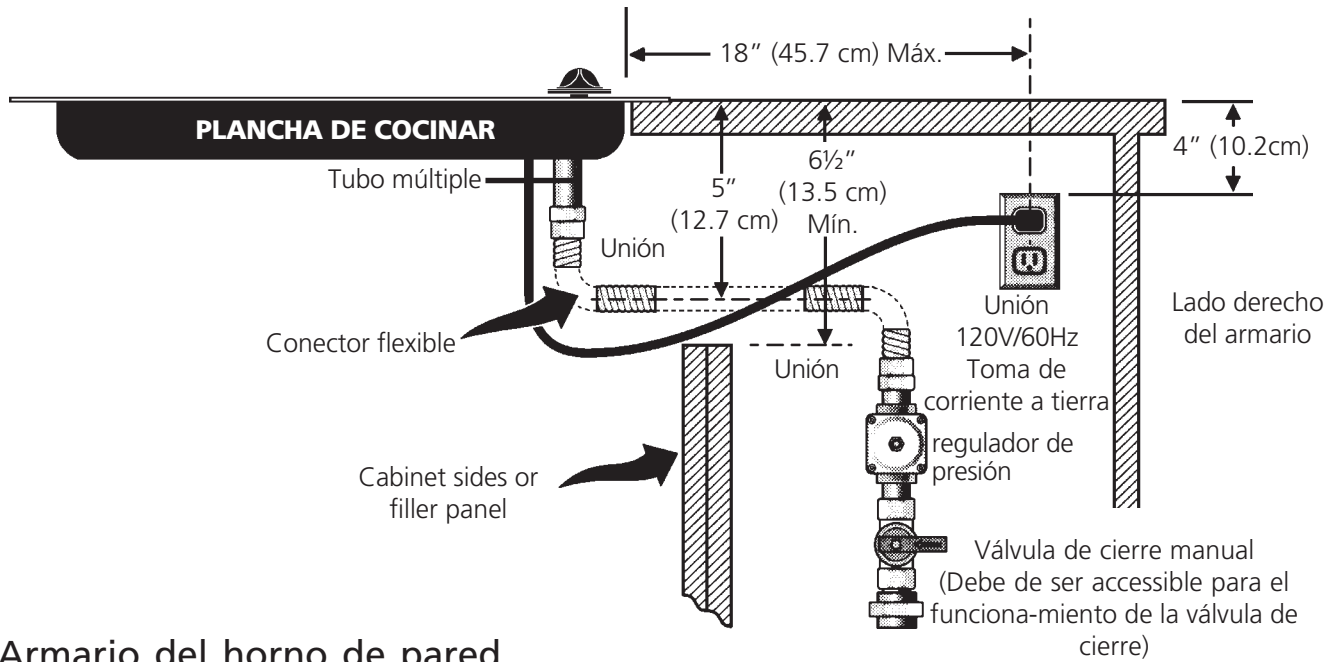


Figura 3

INSTRUCCIONES DE INSTALACION PARA PLANCHA DE COCINAR A GAS

(Para modelos de 30 & 36 pulgadas)

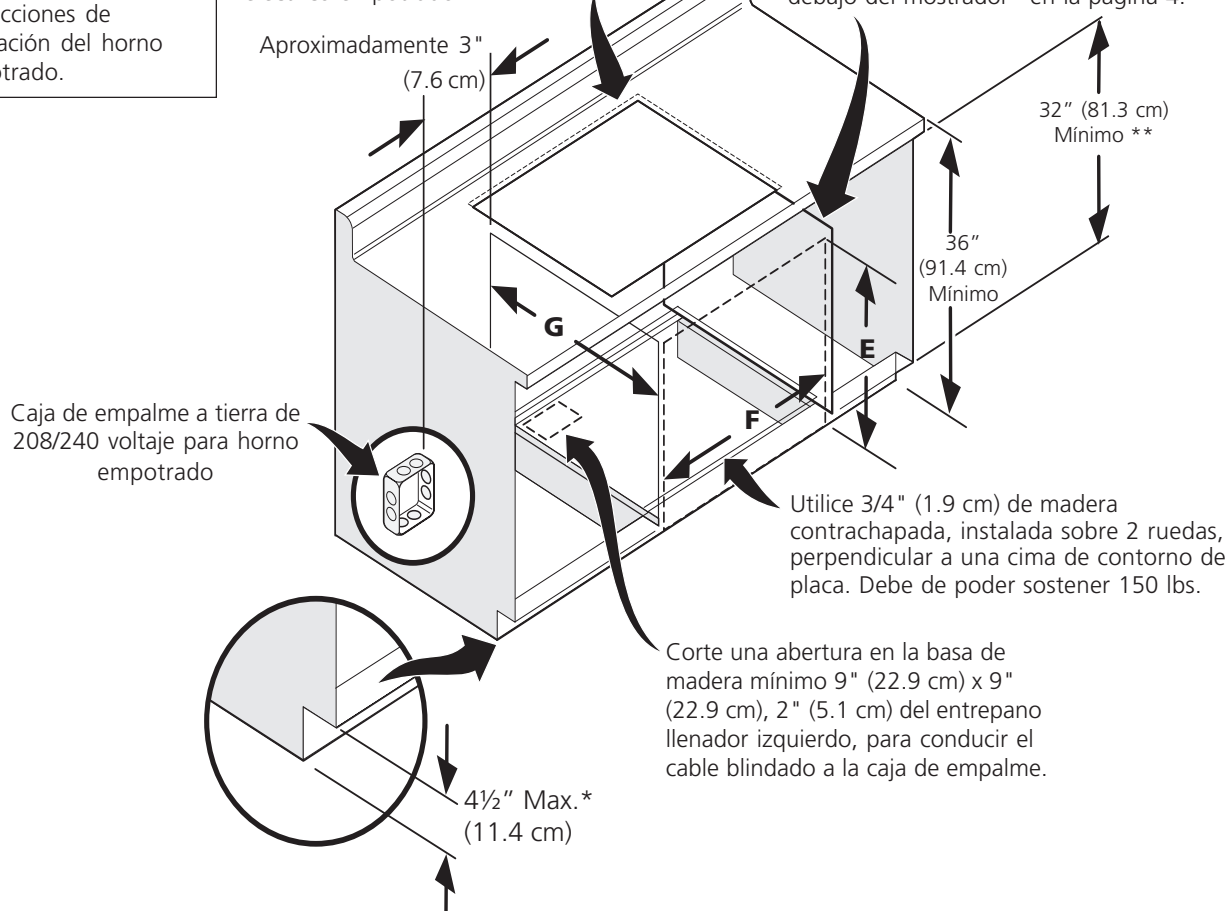
Típica instalación de un horno eléctrico empotrado con una plancha de cocinar por encima

PRECAUCION

Todas las fijaciones de montaje deben de estar utilizadas para sujetar el horno empotrado a los armarios. Refiere a las instrucciones de instalación del horno empotrado.

Esta plancha de cocinar puede instalarse por encima de algunos modelos de horno eléctrico empotrado.

Entrepaños llenador de lados son necesarios para aislar el aparato de los armarios adyacentes. La altura de panel debe de permitir la instalación de modelos de planchas de cocinar aprobantes. Ver "Instalación típica de plancha de cocinar a gas por encima de un horno eléctrico empotrado instalado debajo del mostrador" en la pagina 4.



* (Si no hay plancha de cocinar instalada directamente sobre el aparato, un máximo de 5" (12.7 cm) está permitido)

** Un mínimo de 32" (81.3 cm) desde la parte superior del armario hasta la parte superior de las ruedas debe de ser mantenido.

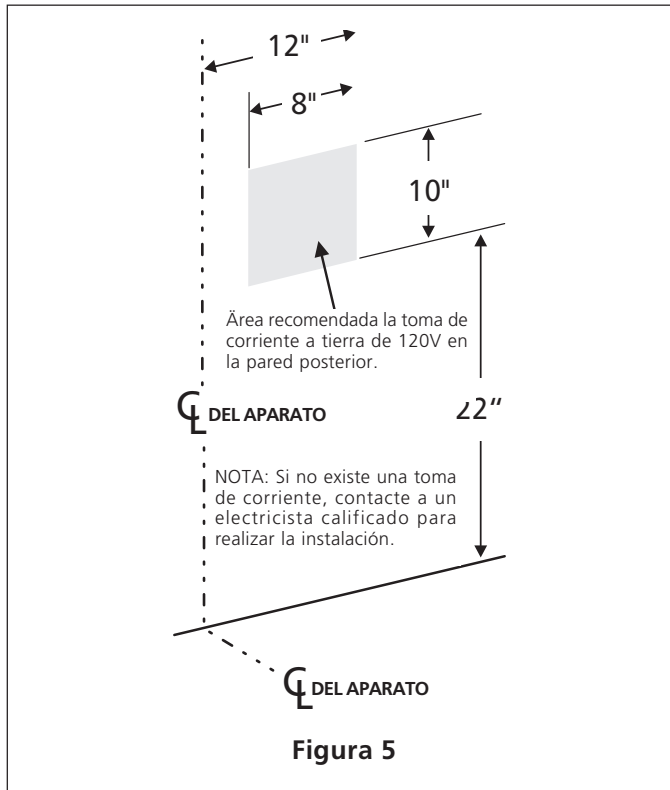
Tamaño del horno	DIMENSIONES DEL HUECO (pulgadas)				
	E		F		G
	Mín.	Máx.	Mín.	Máx.	
30" (76.2 cm)	27 1/4" (69.2 cm)	28 5/8" (72.7 cm)	28 1/2" (72.4 cm)	29" (73.7 cm)	23 1/2" (59.7 cm)
27" (68.6 cm)	27 1/4" (69.2 cm)	28 5/8" (72.7 cm)	24 7/8" (63.1 cm)	25 1/4" (64.1 cm)	23 1/2" (59.7 cm)

Figura 4

INSTRUCCIONES DE INSTALACION PARA PLANCHA DE COCINAR A GAS

(Para modelos de 30 & 36 pulgadas)

Ubicación de la toma de corriente de la pared

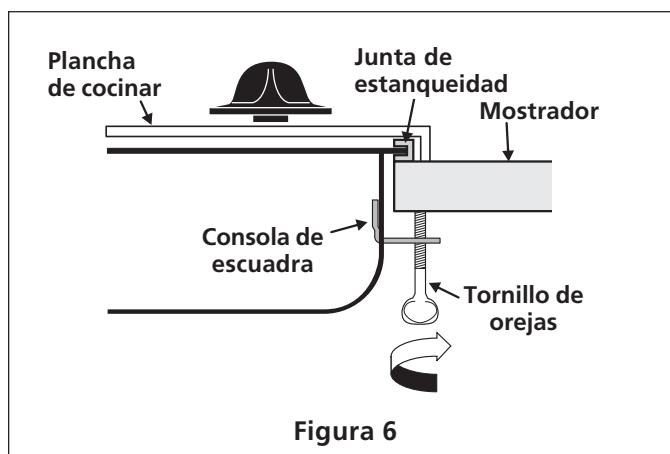


Instalación de la plancha de cocinar

1. Examine visualmente la plancha de cocinar para saber si hay daño.
2. Fije el la plancha de cocinar en el recorte del mostrador.

Información para sujetar el aparato

Una vez que el aparato está instalado en la apertura del mostrador, se tiene que sujetar como se indica.



Para ajustar el aparato, inserte la consola de escuadra, con el lado desviado, en las ranuras en cada lado del aparato. El tornillo de orejas debe entonces de pasar a través del soporte y hasta la parte de abajo del mostrador. Apriételo hasta que el aparato se quede ajustado.

Provea un adecuado suministro de gas

Esta plancha de cocinar está diseñada para utilizar gas natural de 4" de presión múltiple solamente.

Se conecta un regulador de presión en serie al múltiple de la plancha de cocinar y debe permanecer en serie con la línea de suministro de gas.

Para que manejo correcto, la presión de entrada máxima hacia el regulador no debe exceder 14" de presión de la columna de agua.

Para controlar el regulador, la presión de entrada debe ser de al menos 1" (o 2.5 Kpa) mayor que el ajuste de la presión del múltiple del regulador. El regulador se ajusta a 4" de la presión del múltiple, la presión de entrada debe de ser de al menos 5".

La línea de suministro de gas por el horno debería tener un tubo de 1/2" o de 3/4".

Conversión de gas propano/licuado

Esta plancha de cocinar ha sido diseñada para utilizar gas natural o gas propano. Ha sido fijada en la fábrica para utilizarse con gas natural.

Si desea hacer la conversión para utilizar el gas propano, use las piezas con orificios fijados provistos en el paquete del manual de instrucciones para la instalación en el paquete escrito "PARA LA CONVERSIÓN EN GAS PROPANO". Siga las instrucciones que están con los orificios.

Para hacer la conversión del gas natural al gas propano, es necesario utilizar el servicio de un técnico calificado, in acuerdo con las instrucciones del fabricante y todos los códigos y reglamentos reguladores. Si todas las instrucciones no son observadas, se puede ocurrir severos lesiones o daños materiales. La agencia calificada que hace el trabajo asuma la responsabilidad para la conversión.

PRECAUCION Si la conversión apropiada no esta observada, se puede ocurrir severos lesiones o daños materiales.

Importante: Retire todos los artículos de embalaje y folletos de la cocina antes de realizar las conexiones de gas y eléctricas a la cocina.

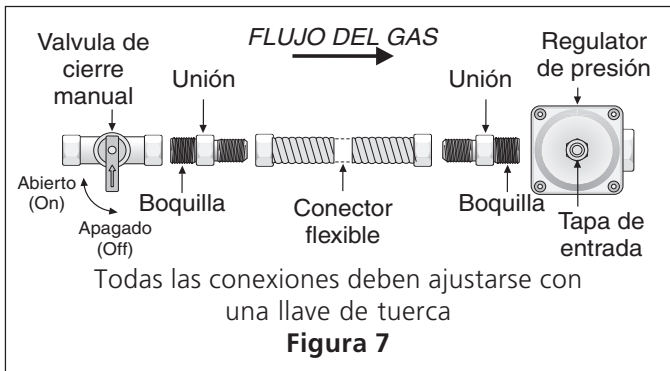
INSTRUCCIONES DE INSTALACION PARA PLANCHA DE COCINAR A GAS

(Para modelos de 30 & 36 pulgadas)

Instalación del regulador de presión

Instale el regulador de presión con la flecha del regulador apuntando hacia la unidad en una posición que permita alcanzar la tapa de entrada.

⚠ PRECAUCION No ajuste demasiado la conexión. El regular está fundida a presión. Al ajustar demasiado se puede romper el regulador causando una fuga de gas y un posible incendio o explosión.

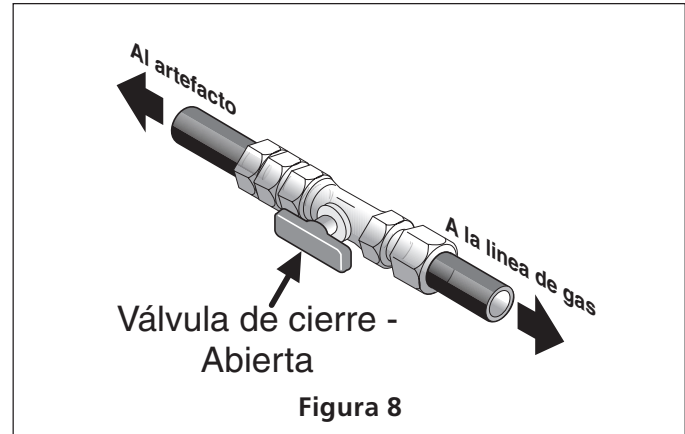


Monte el conector flexible del tubo del suministro de gas al regulador de presión en funcionamiento:

1. válvula de cierre manual
2. boquilla de 1/2" (1.3 cm)
3. adaptador de 1/2" (1.3 cm)
4. conector flexible
5. adaptador de 1/2" (1.3 cm)
6. boquilla de 1/2" (1.3 cm)
7. regulador de presión.

Utilice un compuesto de tubo articulado para uso de gas natural y propano para sellar todas las conexiones de gas. Si se utilizan conectores flexibles, asegúrese que los conectores no están torcidos.

El tubo de suministro de gas debería incluir una válvula de cierre certificada. Esta válvula debería estar ubicada en la misma habitación de la plancha de coninar y debería estar en un lugar que permita una abertura y cierre fáciles. No bloquee las entradas de la válvula de cierre. La válvula sirve para abrir o cerrar el paso del gas al artefacto.



Abra la válvula de cierre en el tubo de suministro de gas. Espere unos minutos para que el gas pase a través del tubo de gas.

Verifique si hay fugas. Luego de conectar la cocina al gas, verifique el sistema con un manómetro. Si no cuenta con éste instrumento, dé la vuelta al suministro de gas de la cocina y utilice un detector de fugas líquidas (o agua y jabón) en todas las articulaciones y conexiones para verificar si existen fugas.

⚠ ADVERTENCIA No use ningún tipo de llama para verificar si hay fugas de gas. Verifique si hay fugas con una llama puede ocasionar incendio o explosión.

Ajuste todas las conexiones en caso que sea necesario, para evitar fugas de gas en la cocina o en el tubo de suministro de gas.

Verifique la alineación de las válvulas luego de conectar la plancha de cocinar al suministro de gas para asegurar que no se ha movido la válvula del múltiple de la plancha de cocinar.

Desconecte la cocina y su válvula de cierre individual del sistema de tubería del suministro de gas durante cualquier ensayo de presión del sistema en ensayos de presión superiores a 1/2 psig (3.5 kPa o 14" columna de agua).

Aparte la cocina del sistema de tubería del suministro de gas cerrando su válvula de cierre individual manual, durante cualquier ensayo de presión del sistema de suministro de gas en ensayos iguales o inferiores a 1/2 psig (3.5 kPa o 14" columna de agua).

INSTRUCCIONES DE INSTALACION PARA PLANCHA DE COCINAR A GAS

(Para modelos de 30 & 36 pulgadas)

Requerimientos eléctricos:

Un circuito derivado conectado correctamente a tierra de 120 voltios, 60 Herz protegido por un interruptor automático de 15 amp o un fusible de retardo. **No utilice un cable flexible de extensión en esta plancha de cocinar.**

Instrucciones para la puesta a tierra

IMPORTANTE Por favor, lea atentamente.

Como medida de seguridad personal, esté artefacto debe conectarse a tierra correctamente.

El cable de encendido de este artefacto incluye un enchufe de tres patas (a tierra) que calza con un enchufe de pared de tres patas de conexión a tierra (ver Figura 9) para disminuir la posibilidad de peligro de choques eléctricos desde el artefacto.

Un electricista calificado debe verificar el enchufe de pared y el circuito para asegurar que el enchufe está conectado a tierra correctamente.

MÉTODO PREFERIDO

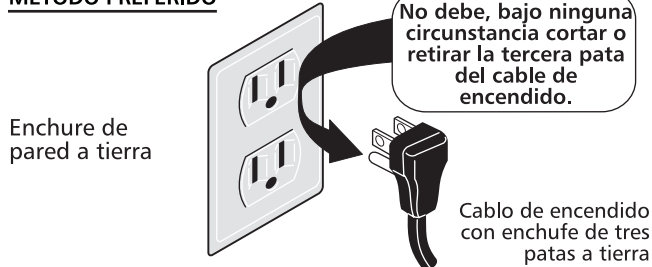


Figura 9

En caso de encontrarse con un enchufe de pared de dos patas, es la personal responsabilidad y la obligación del consumidor reemplazarlo por el enchufe de pared a tierra de tres patas correspondiente.

No debe, bajo ninguna circunstancia cortar o retirar la tercera pata (tierra) del cable de encendido

PRECAUCION Desconecte el cable del suministro eléctrico del enchufe de pared antes de reparar la plancha de cocinar.

Verifique la operación

Refiera al Manual del Usuario que viene con la plancha de cocinar para las instrucciones de funcionamiento y el mantenimiento y la limpieza de su plancha de cocinar.

No toque a los quemadores. Pueden estar suficientemente calientes par causar quemaduras.

1. Instalación de las tapas de quemadores

Esta plancha de cocinar está equipada con quemadores sellados como se muestra (Figura 10)

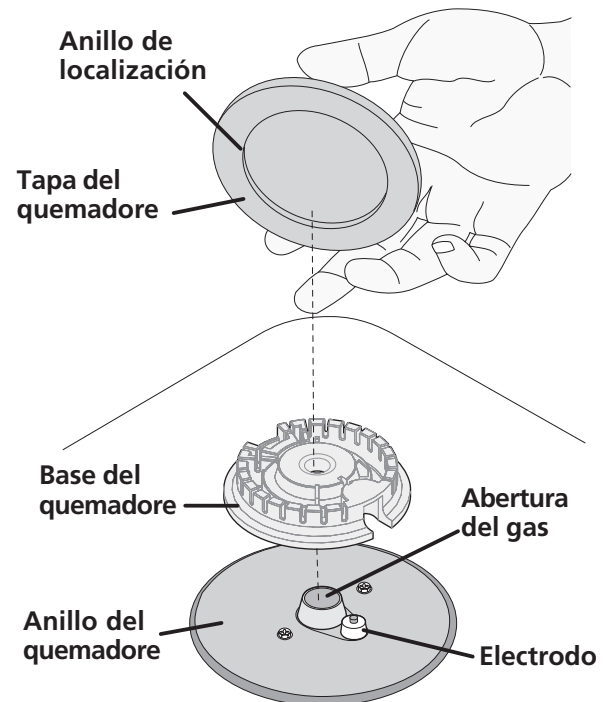


Figura 10

- Desembale las tapas de los quemadores y las bases.
- Coloque las bases de quemador sobre cada tubo de abertura de gas.
- Asegúrese que el quemador está correctamente alineado y nivelado. Coloque cada tapa del quemador debajo de cada base del quemador.

NOTA: No es necesario realizar ajustes en los quemadores de esta plancha de cocinar.

2. Abre el suministro eléctrico y la válvula de cierre principal del gas.

INSTRUCCIONES DE INSTALACION PARA PLANCHA DE COCINAR A GAS

(Para modelos de 30 & 36 pulgadas)

3. Verifique los dispositivos de encendido

La manipulación de los dispositivos de encendido eléctrico debería verificarse tras haber revisado detenidamente la plancha de cocinar y los conectores del tubo del suministro de fugas y tras haber conectado la plancha de cocinar al suministro eléctrico.

Para operar en la superficie del quemador:

- Presione y gire la perilla de control hasta LITE. Se escuchará a un pequeño ruido. Éste es el ruido producido por el dispositivo de encendido eléctrico cuando enciende el quemador.
- Una vez que el quemador está encendido, gire hasta obtener el tamaño de la llama deseada. No es necesario ajustar los controles en una marca determinada. Use las marcas como guía y ajuste la llama según se desea.

4. Verifique el ajuste "LO" O "SIMMER" de las válvulas de superficie de quemador (ver Figura 11)

Presione y gire el botón de control al ajuste "LO" (o "SIMMER"). El ajuste "LO" de cada quemador ha sido creado en la fábrica para fijarse al menor ajuste disponible para entregar un reencendido confiable del quemador. Si no queda encendido en el ajuste "LO", verifique el ajuste "LO" como se muestra a continuación.

- Deje que la cocina se enfríe a temperatura ambiente.
- Enciende todos los quemadores girando cada botón de control hasta LITE para encender los quemadores y fijarlos en "HI".
- Gire rápidamente el quemador hasta LOWEST POSITION.
- Si el quemador se apaga, reajuste la válvula como se muestra a continuación:
Retire el botón de control del quemador, inserte un destornillador de cuchillo delgado en el vástago del agujero de la válvula y encaje el tornillo ranurado. El tamaño de la llama se puede aumentar o disminuir girando el tornillo. Gradue la llama hasta que se pueda girar rápidamente hacia abajo desde HI hasta LOWEST POSITION sin apagar la llama. La llama debería ser lo más baja posible y estable sin apagarse.
- Si se desea ajustar otro quemador, repita los pasos de A a D descritos hasta que los quemadores funcionen correctamente.

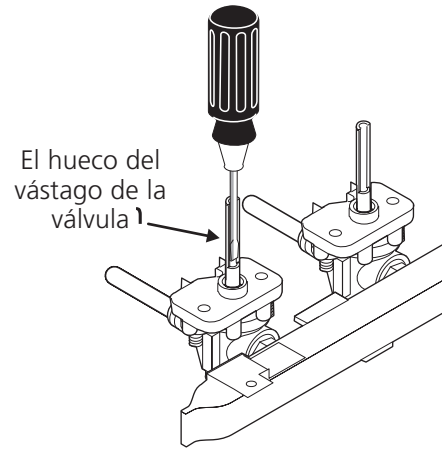


Figura 11

Cuando se han realizado todos los sistemas de conexión

Asegúrese que todos los controles están en la posición de OFF (apagado).

Asegúrese que el flujo de combustión y ventilación de aire de la cocina no están obstruidos

Modelo y ubicación del número de serie

La placa de número de serie está ubicada en el lado de abajo de la caja de quemadores.

Asegúrese de incluir el modelo, número de serie y el número o letra del lote que se encuentran en la placa, en todo pedido de partes o solicitud de información acerca de su plancha de cocinar.

La placa de número de serie también indica las especificaciones de los quemadores, el tipo de combustible y la presión para la cual fué ajustada la plancha de cocinar en la fábrica.

Antes de llamar al servicio

Lea la sección Lista de Control de Averías en su Manual del Usuario. Esto le podrá ahorrar tiempo y gastos. Esta lista incluye ocurrencias comunes que no son el resultado de defectos de materiales o fabricación de este artefacto.

Lea la garantía y la información sobre el servicio en su Manual del Usuario para obtener el número de teléfono y la dirección del servicio. Por favor llame o escriba si tiene preguntas acerca de su estufa o necesita repuestos.

INSTRUCTIONS D'INSTALLATION POUR PLAQUE DE CUISSON À GAZ

(Modèle pouvant être combiné à un four encastré électrique installé sous le comptoir)

UN INSTALLATEUR QUALIFIÉ DOIT EFFECTUER L'INSTALLATION ET LE SERVICE IMPORTANT: CONSERVEZ CES INSTRUCTIONS POUR LES INSPECTEURS LOCAUX. LISEZ CES INSTRUCTIONS ET CONSERVEZ-LES POUR RÉFÉRENCES ULTÉRIEURES.

⚠ AVERTISSEMENT Si les instructions de ce manuel ne sont pas suivies à la lettre, il pourrait en résulter un incendie ou une explosion susceptible de causer des dommages matériels, des blessures ou même la mort.

POUR VOTRE SÉCURITÉ:

— N'entreposez et n'utilisez pas d'essence ou d'autres produits inflammables à proximité de cet appareil ou de tout autre appareil.

— **QUE FAIRE SI VOUS DÉCELEZ UNE ODEUR DE GAZ:**

- Ne tentez d'allumer aucun appareil.
 - N'actionnez aucun interrupteur électrique; n'utilisez aucun appareil téléphonique de l'édifice.
 - Communiquez immédiatement avec votre fournisseur de gaz en vous servant du téléphone d'un voisin. Suivez les instructions que le fournisseur vous donnera.
 - S'il vous est impossible de rejoindre votre distributeur de gaz, communiquez avec le service d'incendie.
- L'installation et l'entretien doivent être effectués par un installateur qualifié, un service d'entretien ou de réparation accrédité ou le distributeur de gaz.

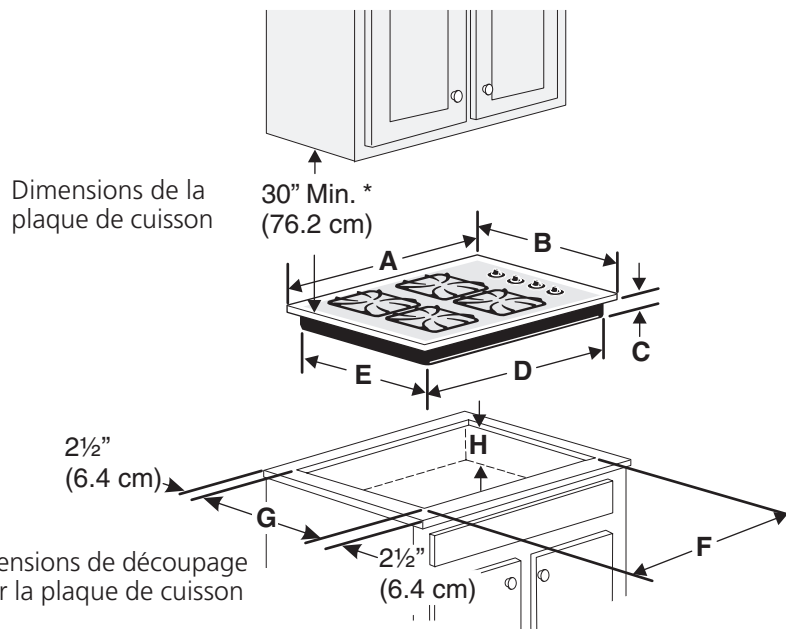


Figure 1

DIMENSIONS DE LA PLAQUE DE CUISSON					
MODÈLES	A. LONGUEUR	B. LARGEUR	C. PROFONDEUR	D. LONGUEUR DU BOÎTIER	E. LARGEUR DU BOÎTIER
Modèles 30"	30 (76.2)	21¾ (55.2)	4¼ (10.8)	27 (68.6)	19 (48.3)
Modèles 36"	36 (91.4)	21¾ (55.2)	4¼ (10.8)	33¾ (84.5)	19 (48.3)
DIMENSIONS DE DÉCOUPAGE					
MODÈLES	F. LONGUEUR		G. LARGEUR		H. PROFONDEUR SOUS LA PLAQUE DE CUISSON*
	MINIMUM	MAXIMUM	MINIMUM	MAXIMUM	
Modèles 30"	27¼ (69.2)	28½ (72.4)	19⅞ (48.6)	19¾ (50.2)	8 (20.3)
Modèles 36"	33⅞ (86.1)	34¼ (87)	19⅞ (48.6)	19¾ (50.2)	8 (20.3)

Toutes les dimensions sont en pouces (cm).

La dimension **F** est le dégagement requis sous la plaque de cuisson pour le raccordement au gaz.

NOTE: Le schéma de câblage de la plaque de cuisson est inclus à la fin de ce feuillet.

Imprimé aux États-Unis

P/N 318201450 (0410) Rev. B

English – pages 1-8

Español – pages 9-18

Français – pages 19-26

Schémas de câblage - pages 27-28

INSTRUCTIONS D'INSTALLATION POUR PLAQUE DE CUISSON À GAZ

(Modèle pouvant être combiné à un four encastré électrique installé sous le comptoir)

Notes importantes à l'installateur

1. Lisez toutes les instructions contenues dans les Instructions d'installation avant d'installer la cuisinière.
2. Enlevez tout le matériel d'emballage avant de connecter l'alimentation à gaz à la plaque de cuisson.
3. Respectez tous les codes et règlements applicables.
4. N'oubliez pas de laisser ces instructions au consommateur.
5. Note: Pour l'utilisation à plus de 2000 pieds d'élévation au dessus du niveau de la mer, la puissance de l'appareil devrait être réduite de 4% pour chaque 1000 pieds additionnel.

Note importante au consommateur

Conservez ces instructions avec le guide de l'utilisateur pour référence ultérieure.

INSTRUCTIONS DE SÉCURITÉ IMPORTANTES

Cette appareil doit être installée conformément aux règlements locaux, ou en leur absence, au code National de Gaz ANSI Z223.1/NFPA 54 aux Etats-Unis, ou aux normes CAN/ACG-B149 et CAN/ACG-B149.2 au Canada.

- L'installation d'appareils conçus pour les maisons (mobiles) doit se conformer aux normes de la Manufactured Home Construction and Safety Standard, titre 24CFR, partie 3280 (antérieurement Federal Standard for Mobile Home Construction and Safety, titre 24, HUD (partie 280)) ou en leur absence, aux normes de la Manufactured Home Installation 1982 (Manufactured Home Sites, Communities and Setups), ANSI/NCSBCS A225.1 ou aux codes locaux.

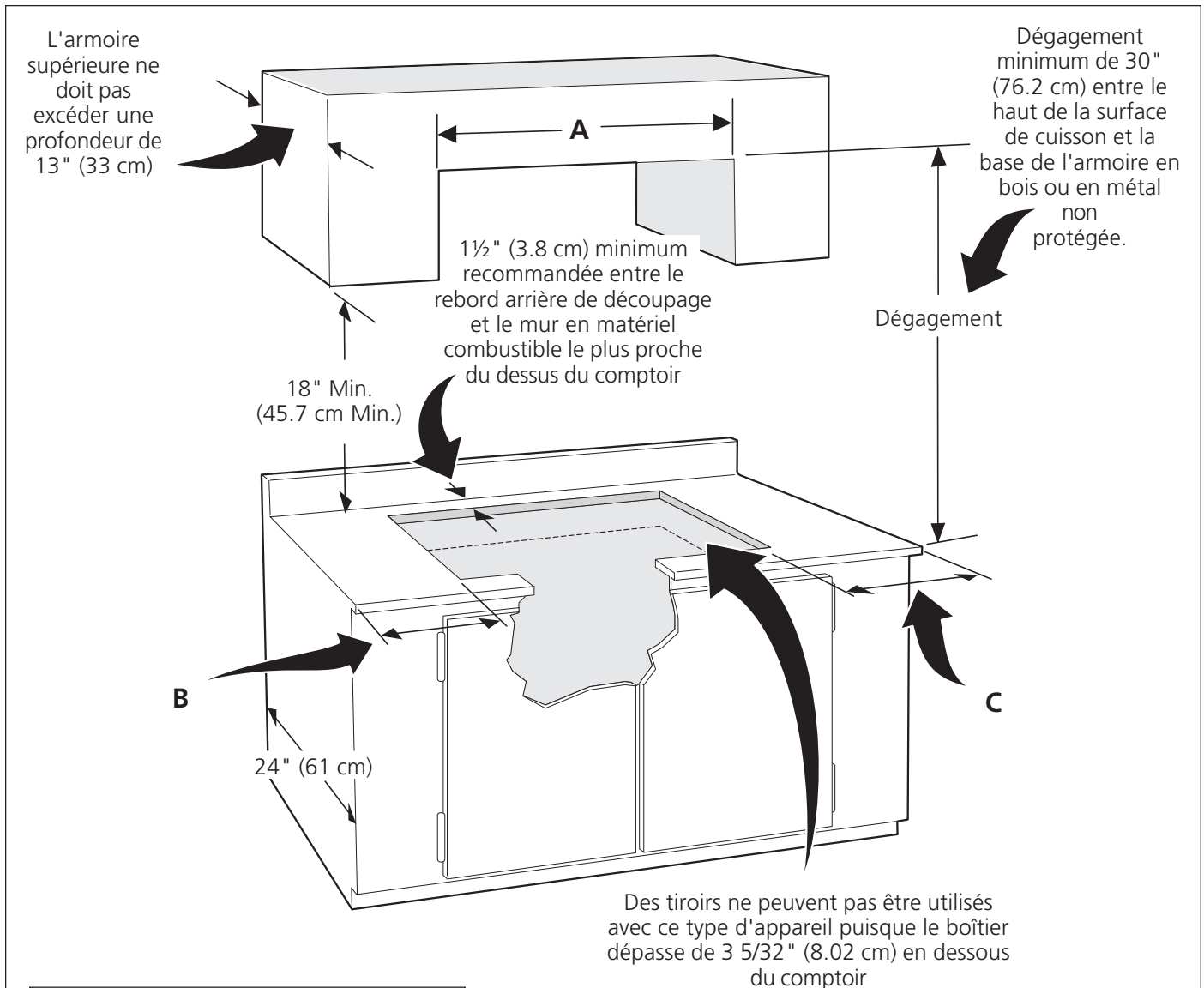
La conception de cette plaque de cuisson a été approuvée par American Gas Association (A.G.A.). Il faut prendre certaines précautions d'usage lors de l'utilisation de tout appareil fonctionnant au gaz naturel ou produisant de la chaleur. Vous trouverez celles-ci dans votre [Guide d'utilisateur](#), lisez-les avec attention.

- **Assurez-vous que votre appareil est correctement installée et mise à la terre par un installateur ou un technicien d'entretien qualifié.**
- **Le circuit électrique de cette plaque de cuisson doit être mis à la terre conformément** aux règlements locaux, ou en leur absence, au code national de l'électricité ANSI/NFPA no. 70- dernière édition aux Etats-Unis ou à la norme canadienne d'électricité, ACNOR C22.1, partie 1, au Canada.
- **Lors d'une panne de courant électrique, les brûleurs de surface peuvent être allumés manuellement; placez une allumette allumée près de la tête du brûleur et tournez lentement le bouton de commande de surface à la position LITE. Redoublez de prudence si vous allumez un brûleur de surface manuellement.**
- **N'entreposez pas d'objets susceptibles d'intéresser les enfants dans les armoires situées au-dessus de la cuisinière.** Ils risquent de se brûler sérieusement s'ils tentent de grimper sur l'appareil.
- **Évitez de placer des armoires de rangement au-dessus des brûleurs afin d'éliminer les gestes inutiles au-dessus de ceux-ci.**
- **Régalez la flamme du brûleur pour qu'elle ne dépasse pas le bord de l'ustensile utilisé pour la cuisson.** Une flamme excessive est dangereuse.
- **N'utilisez jamais votre appareil pour réchauffer ou chauffer la pièce.** L'utilisation prolongée de la plaque de cuisson sans une ventilation adéquate peut s'avérer dangereuse.
- **Ne gardez pas de produits combustibles, d'essence et d'autres produits inflammables à proximité de cet appareil ou de tout autre appareil.** Il pourrait en résulter des explosions ou un incendie.

⚠ AVERTISSEMENT Il faut couper l'alimentation électrique durant le branchement des connexions électriques. À défaut de ce faire il peut en résulter des blessures graves ou la mort.

INSTRUCTIONS D'INSTALLATION POUR PLAQUE DE CUISSON À GAZ

(Modèle pouvant être combiné à un four encastré électrique installé sous le comptoir)



AVERTISSEMENT Pour éliminer les risques de brûlures ou de feu en allongeant le bras au-dessus des surfaces de cuisson chaudes, évitez d'installer des armoires au-dessus de la plaque de cuisson. Si vous devez en installer, il est possible de réduire le risque en plaçant une hotte pour cuisinière qui excède horizontalement d'un minimum de 5" (12.7 cm) la base de l'armoire.

MODÈLE	A	B. Dégagement minimum du côté gauche	C. Dégagement minimum du côté droit
Modèle 30"	30" (76.2 cm)	5" (12.7 cm)	5" (12.7 cm)
Modèle 36"	36" (91.4 cm)	5" (12.7 cm)	5" (12.7 cm)

Figure 2 – OUVERTURE DU DÉCOUPAGE DE DESSUS DU COMPTOIR

INSTRUCTIONS D'INSTALLATION POUR PLAQUE DE CUISSON À GAZ

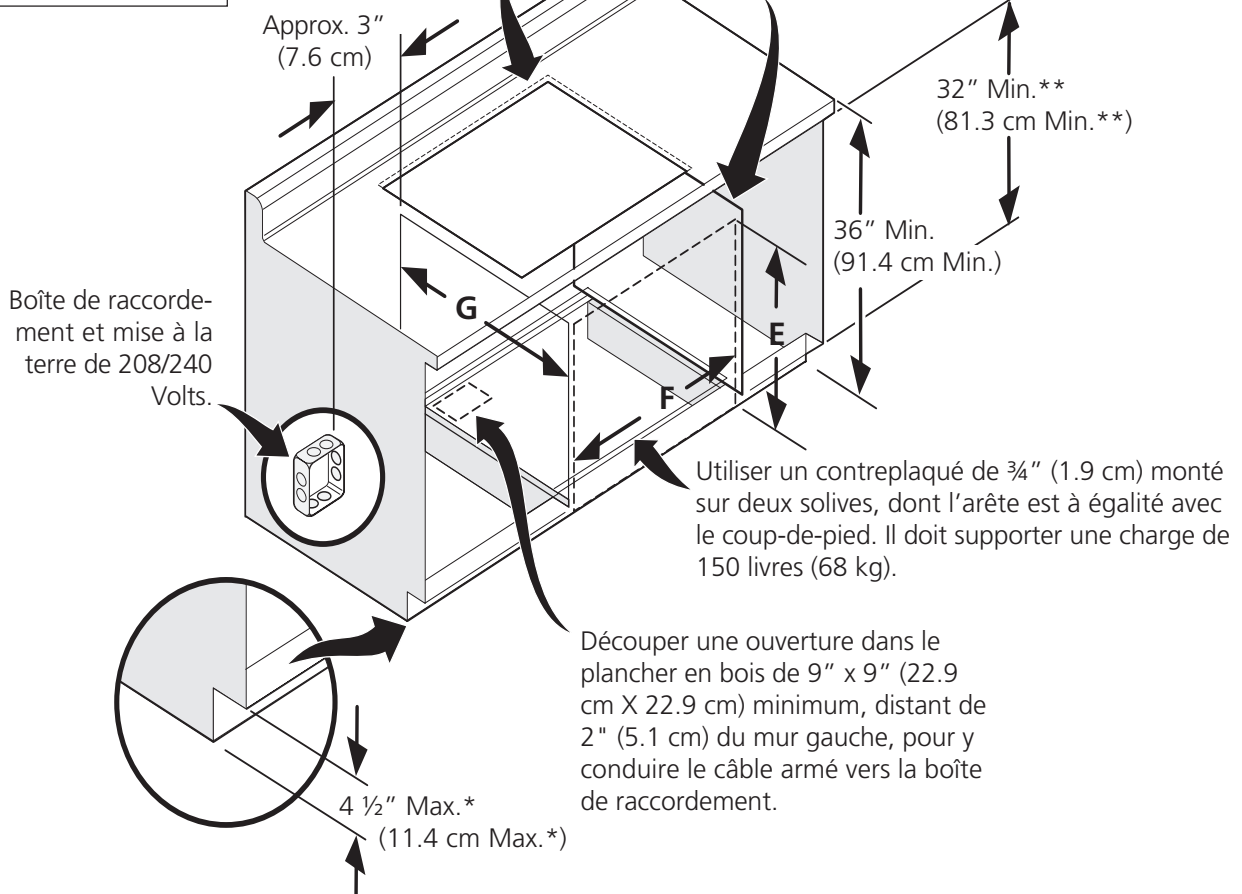
(Modèle pouvant être combiné à un four encastré électrique installé sous le comptoir)

⚠ AVERTISSEMENT

Les attaches anti-verserement doivent être utilisées pour retenir le four encastré aux armoires.

Cette table de cuisson peut être installée au dessus de certains modèles de four encastrés électriques.

Des panneaux latéraux de séparation doivent être installés pour isoler l'appareil des armoires accolées. La hauteur des panneaux doit permettre l'installation des modèles de tables de cuisson approuvées. Reportez-vous aux informations typiques d'une table de cuisson à gaz installée au-dessus d'un four encastré électrique installé sous le comptoir.



* Un maximum de 5" (12.7 cm) est permis si aucune table de cuisson n'est installée au dessus de l'appareil.

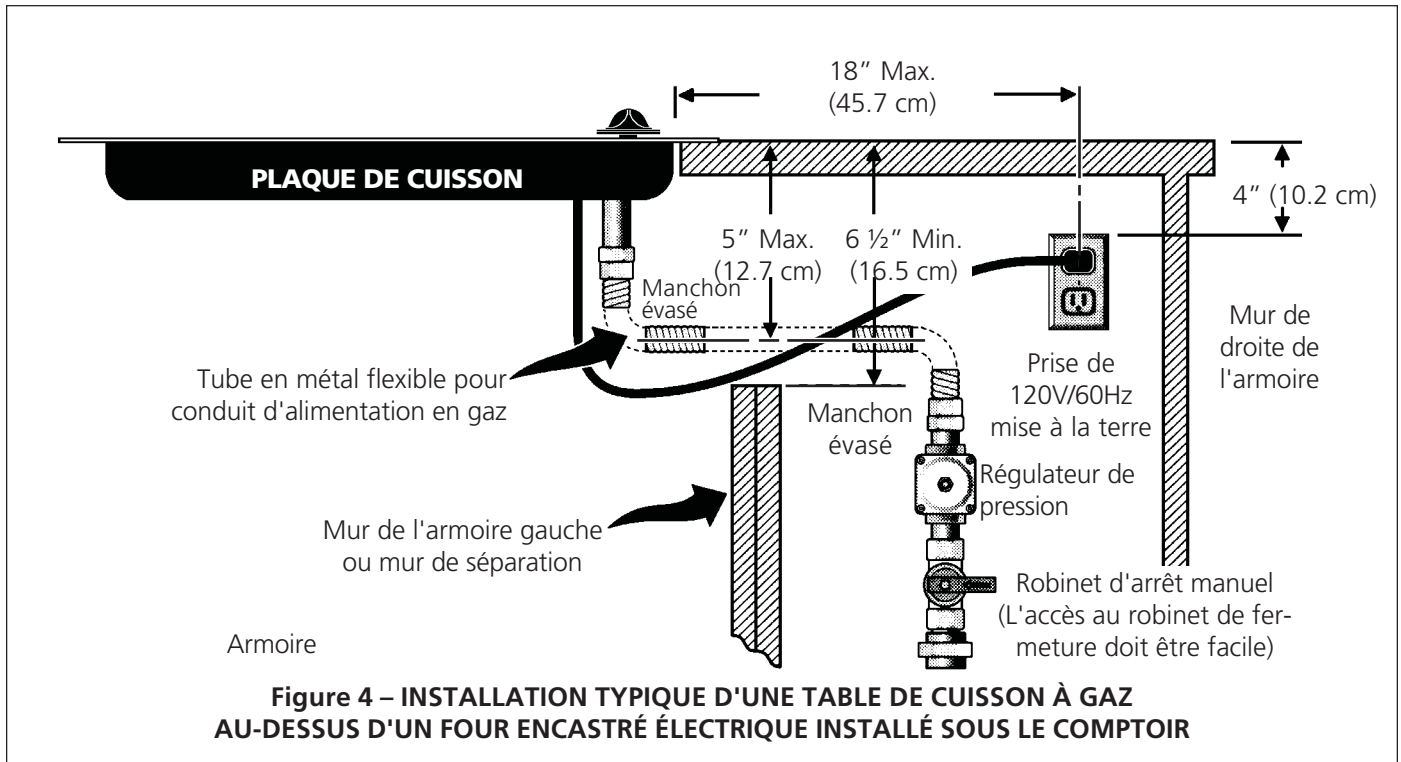
** Une distance minimale de 32" (81.3 cm) est requise entre le dessous du comptoir et le haut de la plaque de bordure.

Type de four	DIMENSIONS DE DÉCOUPAGES (pouces (cm))				
	E		F		G
	Min.	Max.	Min.	Max.	
30" (76.2 cm)	27¼" (69.2 cm)	28⅝" (72.7 cm)	28½" (72.4 cm)	29" (73.7 cm)	23½" (59.7 cm)
27" (68.6 cm)	27¼" (69.2 cm)	28⅝" (72.7 cm)	24⅞" (63.1 cm)	25¼" (64.1 cm)	23½" (59.7 cm)

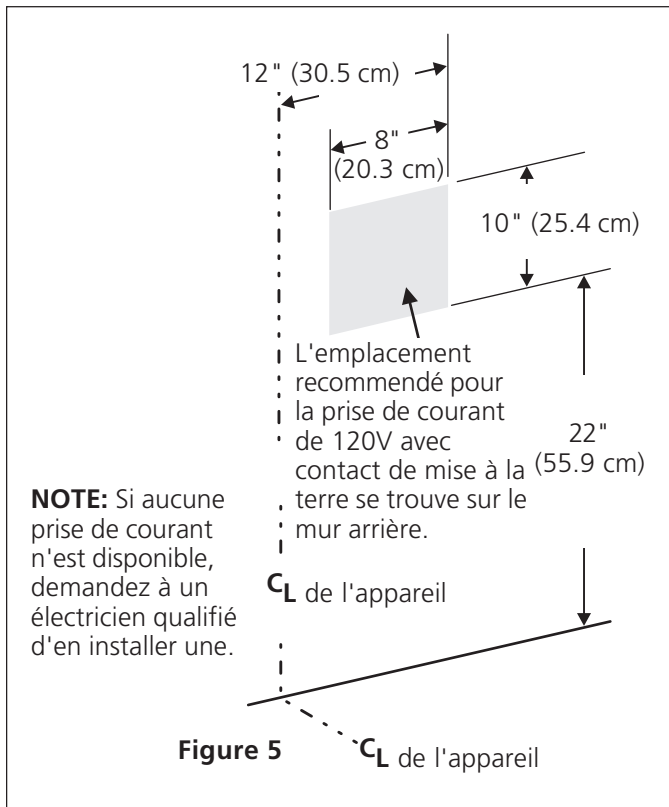
Figure 3 – INSTALLATION TYPIQUE D'UN FOUR ENCASTRÉ ÉLECTRIQUE SOUS LE COMPTOIR ET D'UNE TABLE DE CUISSON AU-DESSUS

INSTRUCTIONS D'INSTALLATION POUR PLAQUE DE CUISSON À GAZ

(Modèle pouvant être combiné à un four encastré électrique installé sous le comptoir)



Emplacement de la prise de courant murale



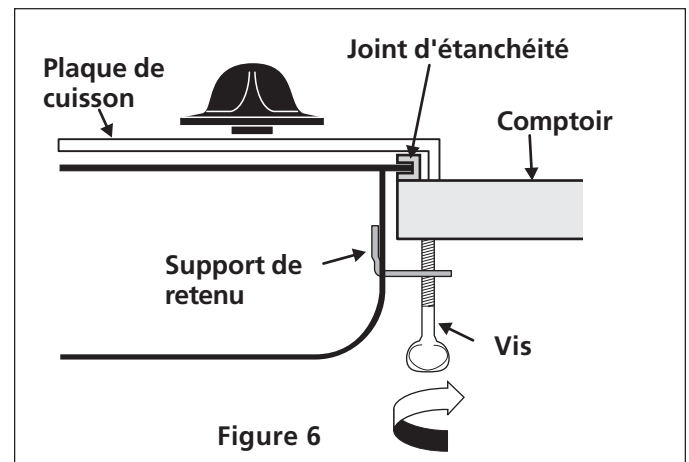
Installation de l'appareil

1. Inspectez visuellement la plaque de cuisson.
2. Placez la plaque de cuisson dans l'ouverture du comptoir.

NOTE: Ne calfeutrez pas la plaque de cuisson. Elle doit pouvoir être enlevée du comptoir pour réparation si nécessaire.

Instructions de fixation

Une fois l'appareil installé dans l'ouverture du comptoir, fixez-le tel qu'indiqué.



Pour la fixation, insérez l'équerre de fixation en plaçant le côté en retrait de celle-ci dans la fente se trouvant sur chaque côté de l'élément. Insérez la vis à oreilles à travers l'équerre de fixation jusqu'à ce qu'elle entre en contact avec le dessous du comptoir. Serrez jusqu'à ce que l'appareil s'enfonce dans son emplacement.

INSTRUCTIONS D'INSTALLATION POUR PLAQUE DE CUISSON À GAZ

(Modèle pouvant être combiné à un four encastré électrique installé sous le comptoir)

Fournissez une alimentation en gaz adéquate

Cette plaque de cuisson a été conçue pour fonctionner au gaz naturel avec une pression d'admission de 4" (10.2 cm).

Un régulateur de pression est branché en série avec la rampe à gaz de la plaque de cuisson, et doit rester en série sur le tuyau d'alimentation.

Pour un fonctionnement normal, la pression intérieure maximum au régulateur ne doit pas être supérieure à la pression d'une colonne d'eau (C.E.) de (35.6 cm).

Pour vérifier le régulateur, la pression d'admission doit être supérieure d'au moins 1" (2.5 cm) (ou de 0.25 kPa) à celle du régulateur ajusté à la rampe à gaz. Le régulateur étant ajusté à 4" (10.2 cm) de pression, la pression d'admission doit être d'au moins 5" (12.7 cm).

La conduite d'alimentation en gaz branchée à la plaque de cuisson doit avoir un diamètre de ½" (1.2 cm) à ¾" (1.9 cm).

Conversion au gaz de pétrole liquéfié ou gaz propane

Cet appareil fonctionne au gaz naturel ou au gaz propane. Il est réglé en usine pour fonctionner au gaz naturel.

Si vous désirez convertir votre plaque de cuisson au gaz propane, servez-vous des orifices à débit fixe qui sont fournies et emballés dans un sac marqué "POUR CONVERSION AU GAZ PROPANE"; ce sac se trouve dans l'enveloppe documents contenant le feuillet Instructions d'installation. Suivre les instructions d'installation se trouvant dans l'enveloppe qui contient les orifices.

Un installateur qualifié doit effectuer l'installation et le service, conformément aux instructions du fabricant et à tous les codes et règlements applicables. Si ces instructions ne sont pas suivies à la lettre, il pourrait en résulter de sérieuses blessures corporelles ou des dommages matériels. L'entreprise d'installation qui effectue ce travail assume la responsabilité de la conversion.

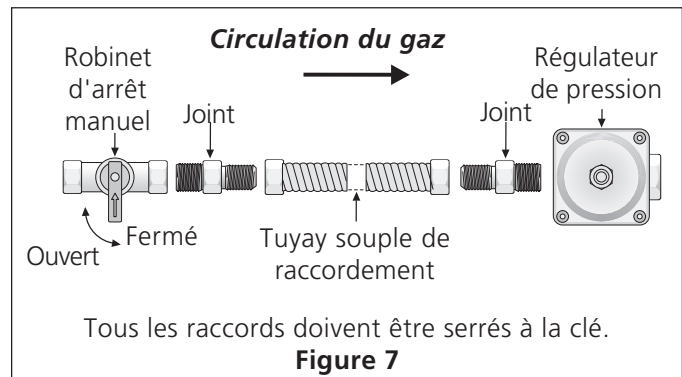
AVERTISSEMENT Si on n'effectue pas la conversion appropriée, il pourrait en résulter des blessures corporelles et des dommages matériels.

Important: Enlevez tout l'emballage et la documentation de la plaque de cuisson avant de brancher le gaz et le courant électrique sur celle-ci.

Installez le régulateur de Pression

Installez le régulateur de pression avec la flèche qui se trouve sur le régulateur dans la direction de la plaque de cuisson et dans une position facilitant l'accès.

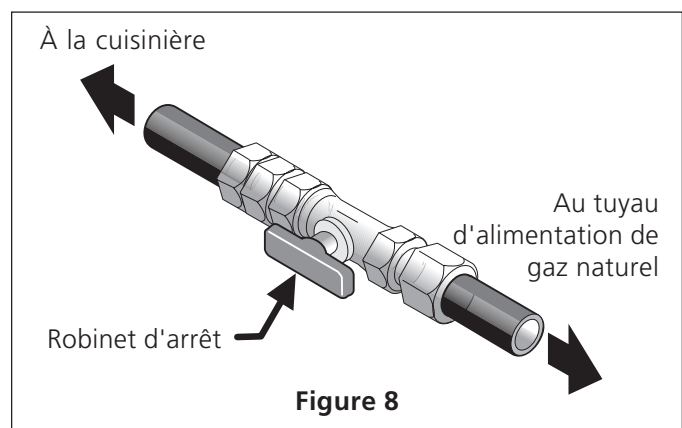
AVERTISSEMENT RISQUE D'INCENDIE. Ne serrez pas trop les raccords. Le régulateur est fabriqué en alliage moulé. Un serrage excessif pourrait le fissurer et provoquer une fuite de gaz susceptible de causer un incendie ou une explosion.



Raccordez le tuyau souple d'alimentation au régulateur de pression en respectant l'ordre suivant: 1- robinet d'arrêt, 2- mamelon de ½", 3- adaptateur de ½", 4- tuyau souple de raccordement, 5- adaptateur de ½", 6- mamelon de ½", régulateur de pression.

Utilisez du mastic à joints de tuyaux pur assurer l'étanchéité des raccords de gaz naturel et de gaz de pétrole liquéfié. Vérifiez que les tuyaux souples de raccordement, s'il y en a, ne sont pas tordus.

Le tuyau d'alimentation doit être équipé d'un robinet d'arrêt approuvé. Ce robinet devrait être situé dans la même pièce que la plaque de cuisson et à un endroit permettant de l'ouvrir et de le fermer sans difficulté. Ne bloquez pas l'accès au robinet d'arrêt. Il sert à allumer ou à fermer l'alimentation en gaz de l'appareil.



Ouvrez le robinet d'arrêt du tuyau d'alimentation de gaz naturel. Attendez quelques minutes pour permettre au gaz de se déplacer dans le tuyau d'alimentation.

INSTRUCTIONS D'INSTALLATION POUR PLAQUE DE CUISSON À GAZ

(Modèle pouvant être combiné à un four encastré électrique installé sous le comptoir)

Vérifiez qu'il n'y ai pas de fuites. La vérification pour les fuites doit être faite selon les instructions du fabricant. Après avoir raccordé l'alimentation en gaz à la plaque de cuisson, à l'aide d'un manomètre vérifiez si le système ne fuit pas. Si vous ne disposez pas d'un manomètre, ouvrez l'alimentation en gaz et utilisez un liquide détecteur de fuites sur tous les joints et les raccords.

AVERTISSEMENT RISQUE D'INCENDIE. N'utilisez pas de flamme nue pour vérifier s'il y a des fuites aux raccords de gaz naturel. La détection des fuites à l'aide d'une flamme pourrait provoquer un incendie ou une explosion.

Si nécessaire, **resserrez tous les raccords** afin de prévenir les fuites de gaz dans la plaque de cuisson ou le tuyau d'alimentation.

Après avoir relié la plaque de cuisson à l'alimentation en gaz, **vérifiez l'alignement des robinets**, afin de vous assurer que le conduit de la rampe à gaz n'a pas été déplacé.

Lors de toute vérification de pression du circuit à une pression supérieure à ½ lb/po2 (3.5 kPa ou 14" C.E.), **débranchez la plaque de cuisson et son robinet d'arrêt individuel** de l'alimentation en gaz.

Lors de toute vérification de pression du circuit d'alimentation en gaz à une pression inférieure ou égale à ½ lb/po2 (3.5 kPa ou 14" C.E.), isolez la plaque de cuisson du réseau d'alimentation en gaz en fermant son robinet d'arrêt manuel.

Branchez le courant électrique à la plaque de cuisson au gaz

Alimentation en électricité

Circuit de dérivation de 120 volt, 60 Hertz, avec mise à la terre appropriée, protégé par un disjoncteur de 15 ampères ou un fusible temporisé. **N'utilisez pas de cordon de rallonge pour brancher la plaque de cuisson.**

IMPORTANT Veuillez lire attentivement.

Pour votre propre sécurité, cet appareil doit être correctement mis à la terre.

Afin de réduire au minimum les risques de chocs électriques, le cordon d'alimentation de cet appareil est muni d'une fiche de contact tripolaire (mise à la terre) enfichable dans une prise de courant murale tripolaire standard avec mise à la terre (Figure 9).

Il est conseillé de faire vérifier la prise de courant murale et le circuit par un électricien qualifié, afin de s'assurer que la prise de courant est correctement mise à la terre.

Méthode préférée

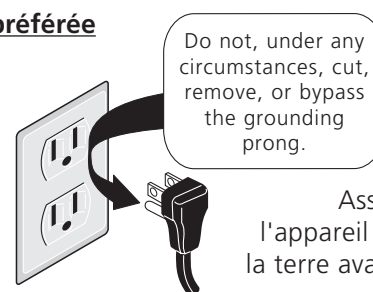


Figure 9

Dans le cas où il n'y a qu'une prise de courant murale bipolaire standard, il incombe au client de la remplacer par une prise de courant murale tripolaire correctement mise à la terre.

Il est strictement interdit de couper ou d'enlever la troisième tige (mise à la terre) du cordon d'alimentation.

AVERTISSEMENT Débranchez le cordon d'alimentation électrique de la prise de courant murale avant de réparer ou de nettoyer la plaque de cuisson.

Vérification de fonctionnement

Référez-vous au Guide de l'utilisateur fourni avec votre appareil pour le mode de fonctionnement et l'entretien de votre plaque de cuisson.

Ne touchez pas aux brûleurs. Ils peuvent être assez chauds pour causer des brûlures graves.

1. Installation des couvercles de brûleurs

Cette plaque de cuisson est muni de brûleurs scellés tel que montré à la figure 10.

- Déballer les bases et les couvercles des brûleurs.
- Placez les bases au-dessus de chaque orifice d'alimentation en gaz. Attention de ne pas endommager les électrodes lorsque vous placez les bases de brûleur sur les orifices. Assurez-vous que les électrodes sont correctement insérées dans l'ouverture prévue à cette fin sur la base du brûleur.
- Placez les couvercles sur les bases de brûleur, en agençant la grandeur des couvercles avec la grandeur des bases. Chaque couvercle possède un anneau de positionnement pour aider à centrer plus facilement le couvercle sur la base de brûleur.
- Assurez-vous que toutes les bases et tous les couvercles sont correctement positionnés AVANT d'utiliser les brûleurs.

INSTRUCTIONS D'INSTALLATION POUR PLAQUE DE CUISSON À GAZ

(Modèle pouvant être combiné à un four encastré électrique installé sous le comptoir)

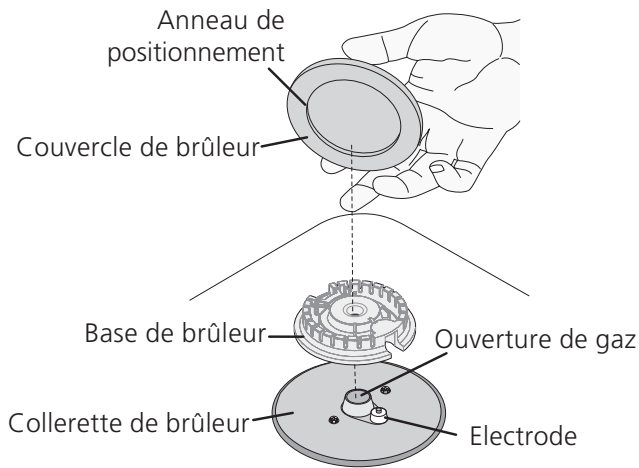


Figure 10

NOTE: Aucun réglage de brûleurs n'est nécessaire sur ce type de plaque de cuisson.

2. Branchez l'alimentation en électricité et ouvrez le robinet principal d'alimentation en gaz.

3. Vérifiez les allumeurs

Il faut vérifier le fonctionnement des allumeurs électriques après que la plaque de cuisson et les raccords du tuyau d'alimentation aient été eux-mêmes vérifiés relativement aux fuites et que la plaque de cuisson ait été branchée à la prise de courant.

Pour faire fonctionner le brûleur de surface :

- Enfoncez et tournez la commande à "LITE". Vous entendrez un petit déclic; c'est le bruit de l'allumeur électrique qui allume le brûleur.
- Après l'allumage du brûleur, réglez la flamme à l'intensité voulue. Les commandes n'ont pas besoin d'être réglées vis-à-vis d'un repère particulier. Utilisez les repères comme guide et réglez la flamme au besoin.

4. Réglez la position LOW ou SIMMER (Figure 11)

Enfoncez et tournez chaque bouton de commande à la position "LOW" (ou "SIMMER"). La position "LOW" de chaque brûleur a été réglée le plus bas possible pour permettre un réallumage faible du brûleur. S'il ne reste pas allumé à la position "LOW", vérifiez le réglage comme suit:

- Laissez refroidir la plaque de cuisson à la température de la pièce.
- Allumez tous les brûleurs en tournant chaque bouton de commande à "LITE" jusqu'à ce que les brûleurs s'allument, puis réglez-les à la position "HI".
- Tournez rapidement le bouton de commande du brûleur à régler de la position "HI" à la position "LOW".
- Si un brûleur s'éteint, réglez le robinet comme suit: Enlevez le bouton de commande du brûleur, insérez un tournevis à lame fine dans l'axe creux du robinet, et engagez-le dans la vis à tête fendue à l'intérieur. On peut augmenter ou diminuer la taille de la flamme

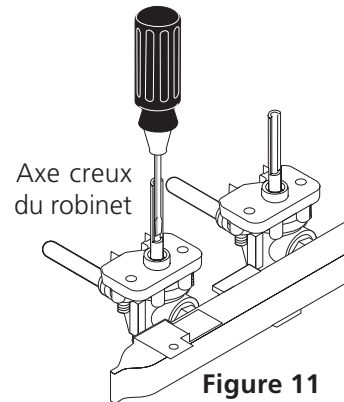


Figure 11

en tournant la vis. Réglez la flamme jusqu'à ce que vous puissiez tourner rapidement le bouton de la position "HI" à la position "LOW" sans que la flamme ne s'éteigne. La flamme devrait être aussi faible que possible et stable sans s'éteindre.

- Si vous avez besoin de régler un autre brûleur, répétez les étapes A à D ci-dessus jusqu'à ce que tous les brûleurs fonctionnent correctement.

Lorsque tous les raccordements sont terminés

Vérifiez que toutes les commandes sont en position d'arrêt.

Assurez-vous que la circulation d'air de combustion et de ventilation à la plaque de cuisson n'est obstruée.

Emplacement du numéro de modèle et de série

La plaque signalétique est située sous la plaque de cuisson.

Pour toute commande de pièces ou demande de renseignements, au sujet de la plaque de cuisson, assurez-vous de toujours inclure les numéros de modèle et de série, ainsi que le numéro ou lettre de lot de la plaque signalétique de votre plaque de cuisson.

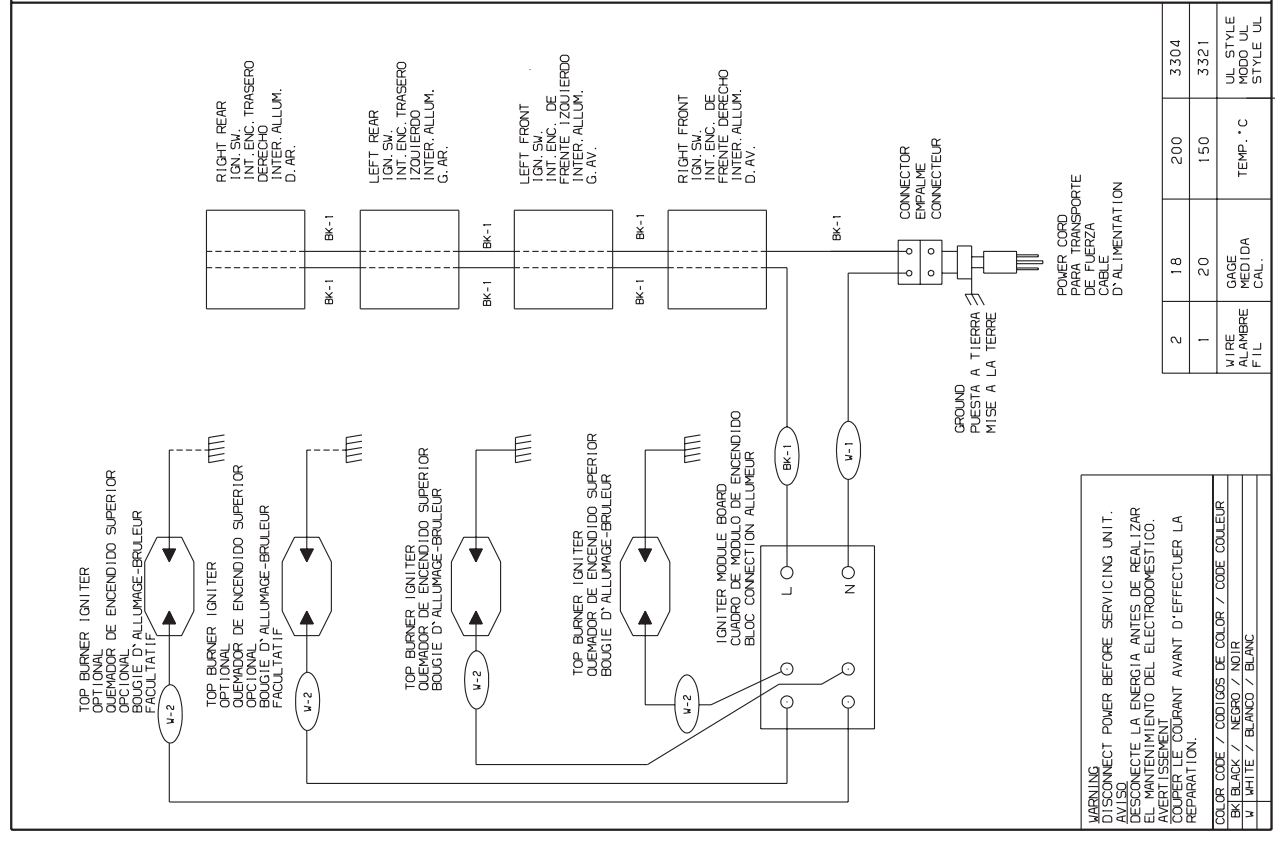
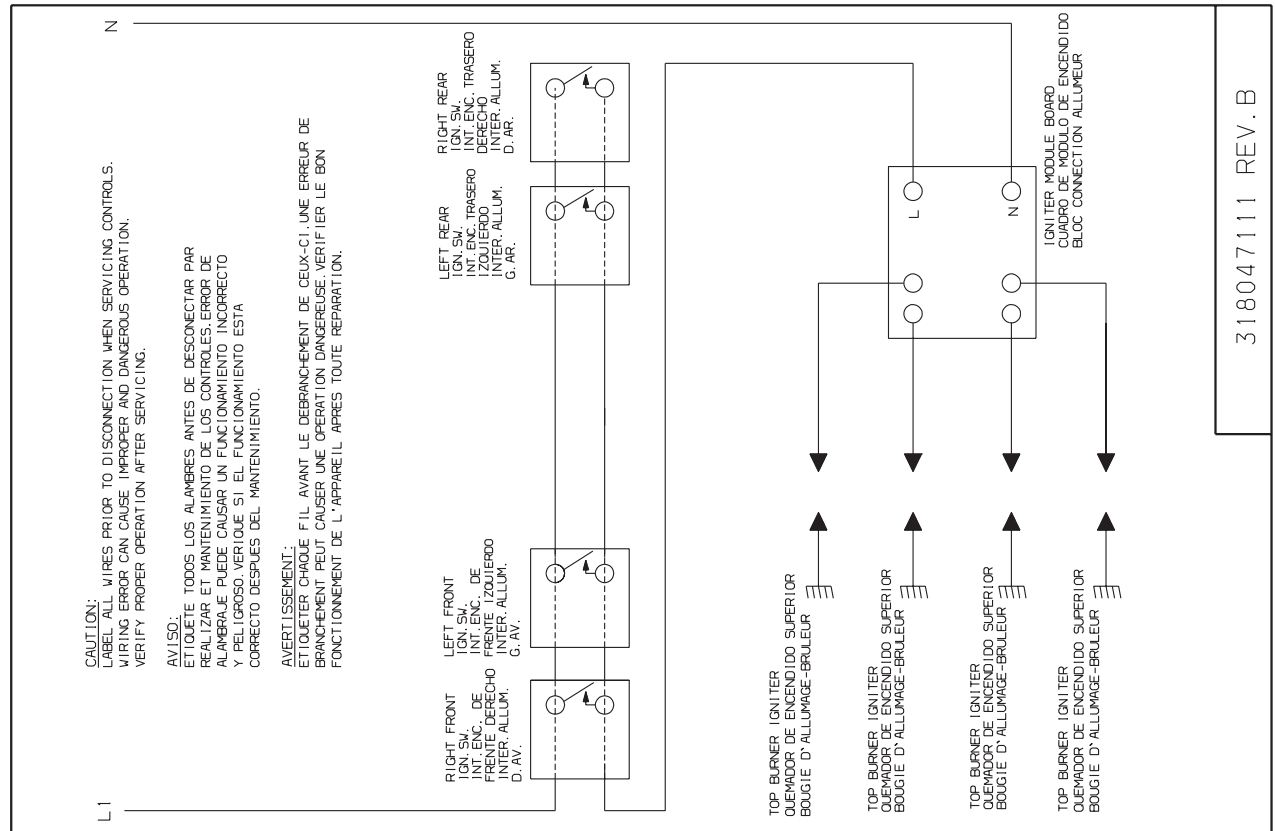
Avant d'appeler le service d'entretien

Consultez la liste de vérification préventive et les instructions d'opération dans votre Guide de l'utilisateur. Vous sauvez probablement du temps et de l'argent. La liste contient les incidents ordinaires ne résultant pas de défauts dans le matériel ou la fabrication de cet appareil.

Pour obtenir nos adresse et numéro de téléphone référez-vous à la garantie et aux renseignements sur les services d'entretien dans votre [Guide de l'utilisateur](#). Prière de nous téléphoner ou de nous écrire pour toute demande d'information au sujet de votre appareil et/ou si vous désirez commander des pièces.

WIRING DIAGRAM - DIAGRAMA DE LA INSTALACIÓN ALÁMBRICA

(30" Gas Cooktop - Plancha de cocinar a gas modelos de 30 pulgadas)



318047111 REV. B

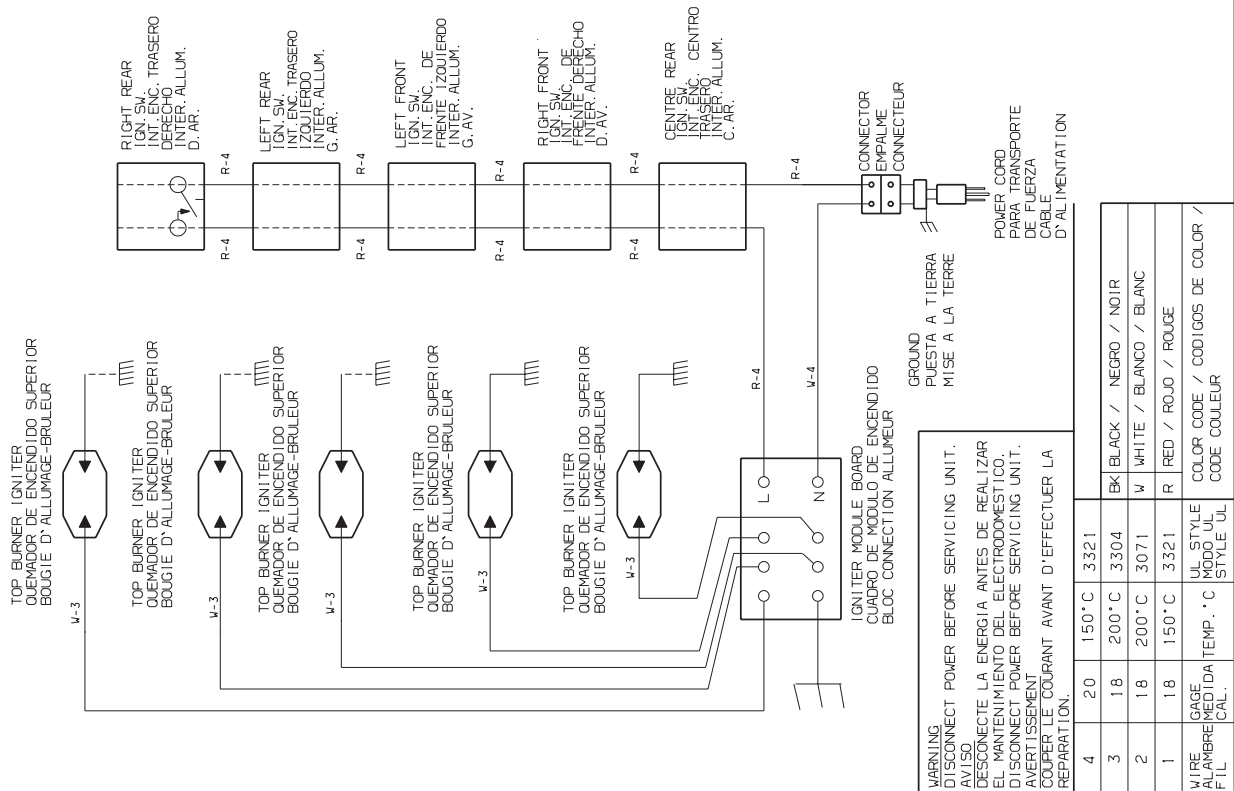
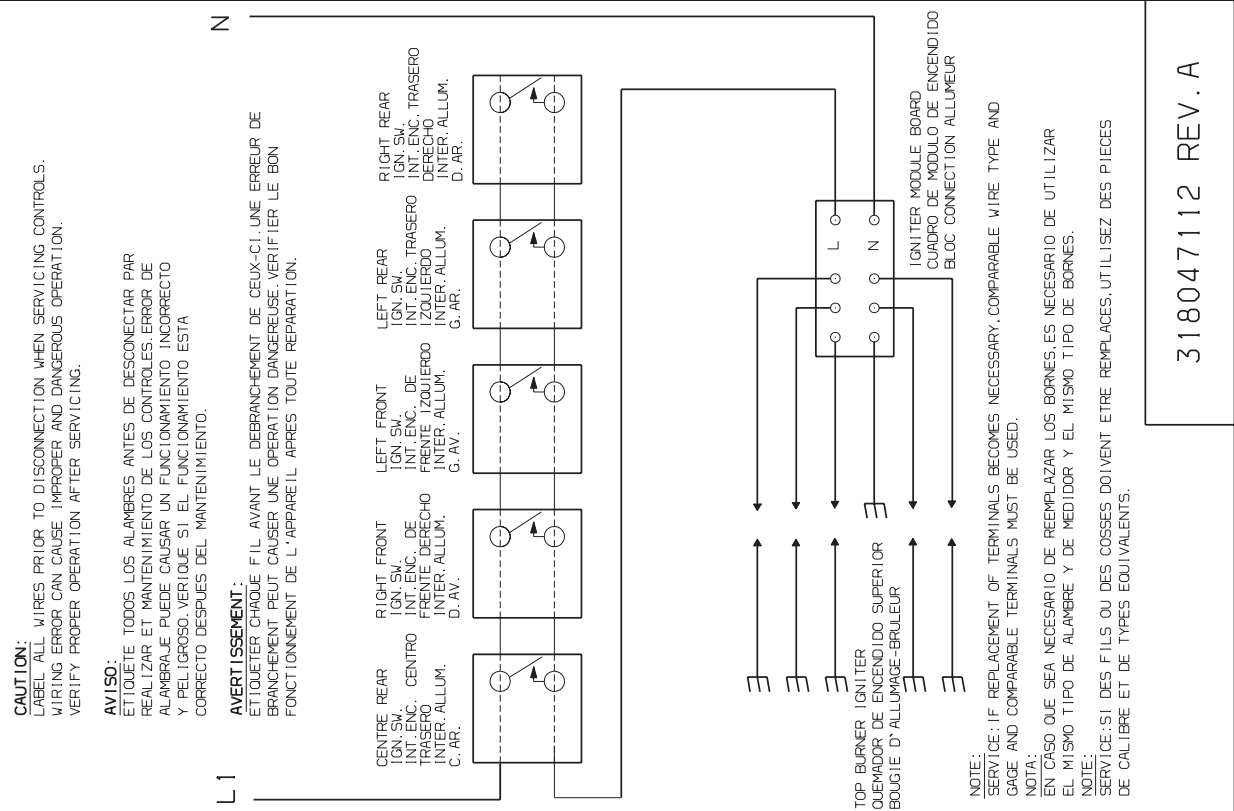
WIRING DIAGRAM - DIAGRAMA DE LA INSTALACIÓN ALÁMBRICA

(36" Gas Cooktop - Plancha de cocinar a gas modelos de 36 pulgadas)

CAUTION:
LABEL ALL WIRES PRIOR TO DISCONNECTION WHEN SERVICING CONTROLS.
WIRING ERROR CAN CAUSE IMPROPER AND DANGEROUS OPERATION.
VERIFY PROPER OPERATION AFTER SERVICING.

AVISO:
ETIQUETE TODOS LOS ALAMBRES ANTES DE DESCONECTAR PAR
REALIZAR EL MANTENIMIENTO DE LOS CONTROLES. ERROR DE
ALAMBRE PUEDE CAUSAR UN FUNCIONAMIENTO INCORRECTO
Y PELIGROSO. VERIFIQUE SI EL FUNCIONAMIENTO ESTA
CORRECTO DESPUES DEL MANTENIMIENTO.

AVERTISSEMENT:
ETIQUETER CHAQUE FIL AVANT LE DEBRANCHEMENT DE CEUX-CI. UNE ERREUR DE
BRANCHMENT PEUT CAUSER UNE OPERATION DANGEREUSE. VERIFIER LE BON
FONCTIONNEMENT DE L'APPAREIL APRES TOUTE REPARATION.



WARNING:
DISCONNECT POWER BEFORE SERVICING UNIT.
AVISO:
DESCONECTE LA ENERGIA ANTES DE REALIZAR
EL MANTENIMIENTO DEL ELECTRODOMESTICO.
DISCONNECT POWER BEFORE SERVICING UNIT.
AVERTISSEMENT:
COUPEZ LE COURANT AVANT D'EFFECTUER LA
REPARATION.

4	20	150°C	3321	
3	18	200°C	3304	BK BLACK / NEGRO / NOIR
2	18	200°C	3071	W WHITE / BLANCO / BLANC
1	18	150°C	3321	R RED / ROJO / ROUGE
WIRE GAGE / ALAMBRE CAL.	U. STYLE / MOD. U. / CODE COULEUR	TEMP. °C		COLOR CODE / CODI005 DE COLOR / CODE COULEUR

NOTE:
SERVICE: IF REPLACEMENT OF TERMINALS BECOMES NECESSARY, COMPARABLE WIRE TYPE AND
GAGE AND COMPARABLE TERMINALS MUST BE USED.
NOTA:
EN CASO QUE SEA NECESARIO DE REEMPLAZAR LOS BORNES, ES NECESARIO DE UTILIZAR
EL MISMO TIPO DE ALAMBRE Y DE MEDIDOR Y EL MISMO TIPO DE BORNES.
NOTE:
SERVICE: SI DES FILS OU DES COSSES DOIVENT ETRE REMPLACES, UTILISEZ DES PIECES
DE CALIBRE ET DE TYPES EQUIVALENTS.

318047112 REV. A