



Frigidaire

Factory Parts Catalog

Product No.	PLGC30S9ECA
	37757266850S1
Series	30" gas
Color	stainless
Market	North America
Wiring Diagram	318047111
Owner's Guide	318200672
Installation Instructions	318201462

 **Electrolux**

Electrolux Major Appliances
 North & Latin America
 P.O. BOX 212378
 AUGUSTA, GA 30917

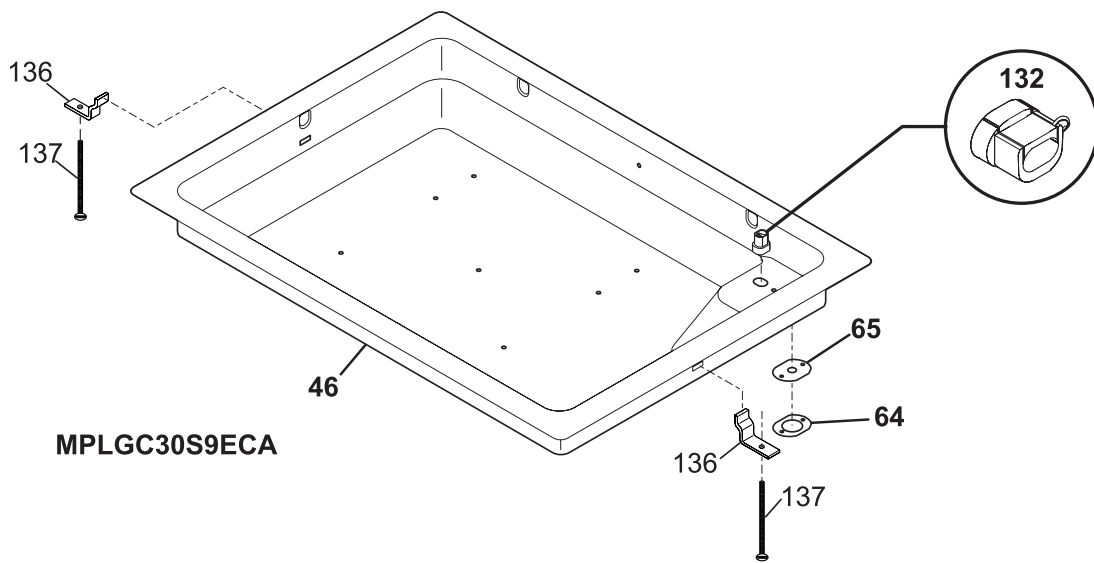
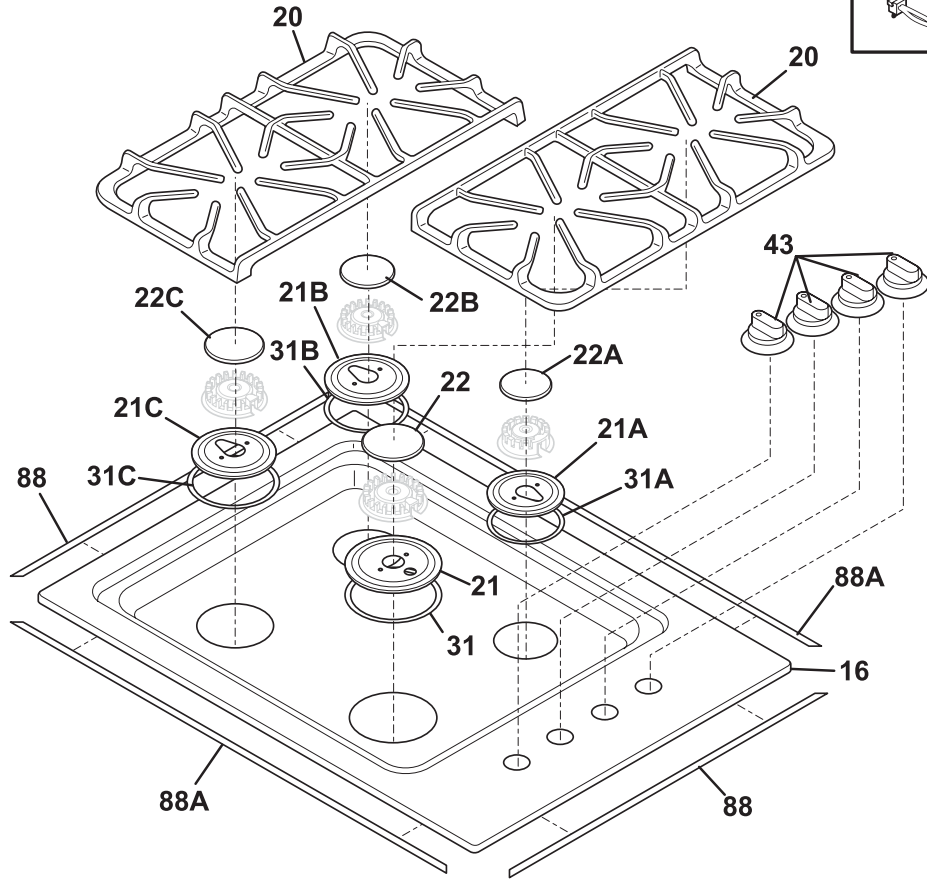
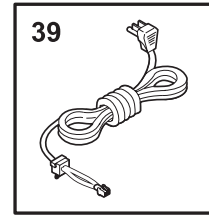
Publication No.
5995451332
 05/10/14
 (EN/SERVICE/ECL)
 377

**GAS COOK-TOP
 RANGE**

**Model No.
 PLGC30S9E**

Copyright © 2005 Electrolux Home Products, Inc.
 All rights reserved.

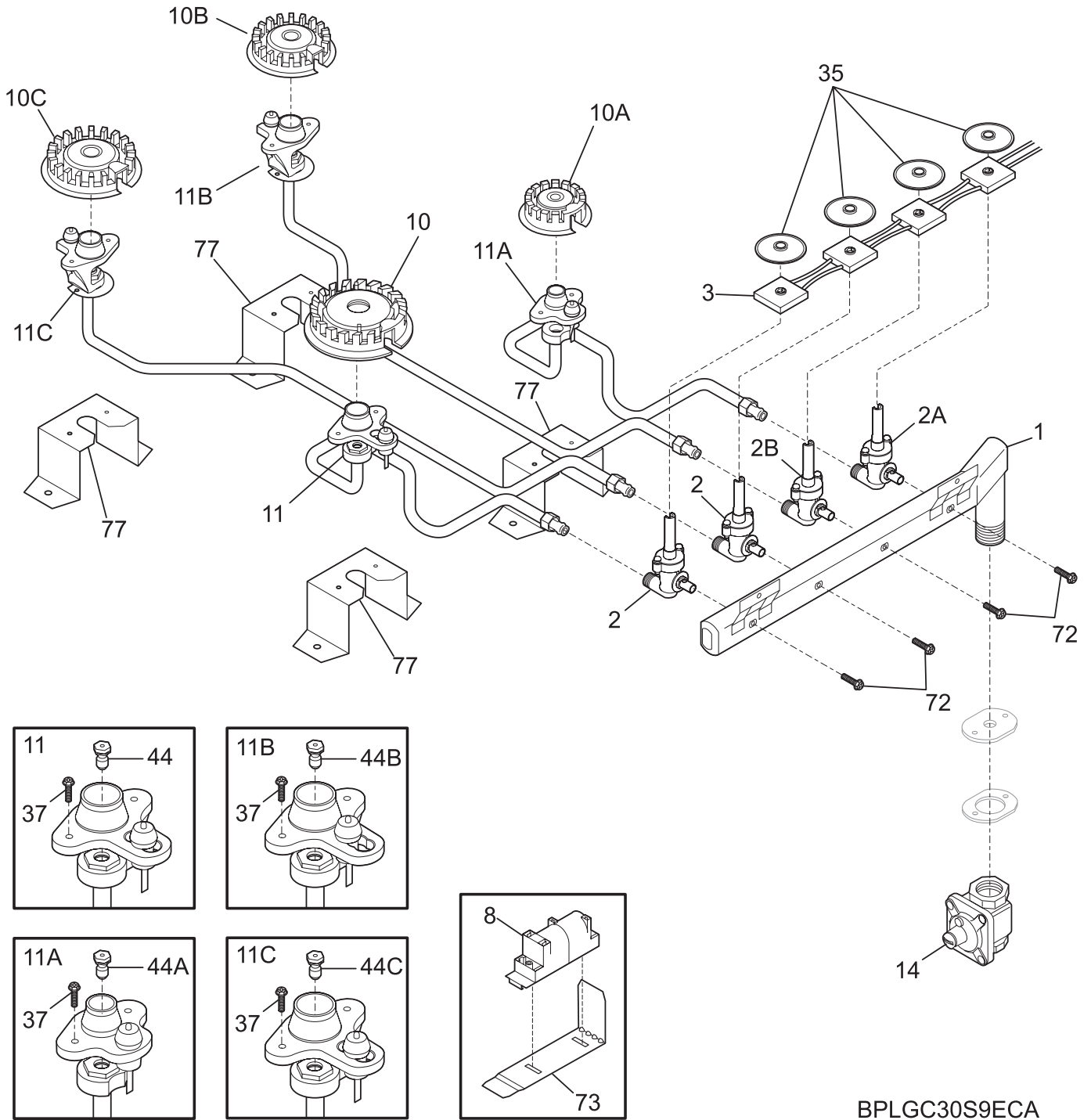
COOK TOP



COOK TOP

POS. NO	PART NO.	DESCRIPTION
16	318279312	Maintop, stainless
20	318221665	Grate, black, (2)
21	316264903	Skirt, 14K burner, black
21A	316241904	Skirt, 5K burner, black
21B	316241804	Skirt, 9.5K burner, black
21C	316241704	Skirt, 12K burner, black
22	316219905	Cap, 14K burner, black
22A	316206604	Cap, 5K burner, black
22B	316213505	Cap, 9.5K burner, black
22C	316213605	Cap, 12K burner, black
31	316242000	Seal, 14K burner
31A	316242003	Seal, 5K burner
31B	316242002	Seal, 9.5K burner
31C	316242001	Seal, 12K burner
39	318144006	Cord, service
43	318099113	Knob, valve, black, (4)
46	318278900	Box, burner
64	5303304033	Bracket, retainer
*	5303307980	Screw, 8-32 x 0.437, (4)
65	5303304032	Seal, rubber
88	318280101	Gasket, cooktop, 21.48", sides, (2)
88A	318280100	Gasket, cooktop, 29.79", front/back, (2)
132	3201437	Strain relief
136	318264300	Support, box, (2)
137	5303285443	Screw, lock bracket, 10-24 x 2.00
*	318163602	Cleaner, stainless steel

BURNER



BPLGC30S9ECA

BURNER

POS. NO	PART NO.	DESCRIPTION
1	318177006	Manifold Pipe
*	08011955	Screw, 10-24 x 0.375, square drive
2 #	318087315	Valve, burner, 14K
2A #	318087313	Valve, burner, 5K
2B #	318087314	Valve, burner, 9.5K, (2)
3 #	318232604	Wiring Harness, w/igntr switch
8 #	316135701	Module, spark
*	5303311532	Screw, 6-32 x 1/4", back
10 #	316223400	Burner, sealed, 14K
10A#	316206400	Burner, sealed, 5K
10B#	316212400	Burner, sealed, 9.5K
10C#	316212300	Burner, sealed, 12K
11 #	318221333	Ignitor/orifice assy., top burner, right front, 14K, w/holder, tube
11A#	318221332	Ignitor/orifice assy., top burner, right rear, 5K, w/holder, tube
11B#	318221334	Ignitor/orifice assy., top burner, left rear, 9.5K, w/holder, tube
11C#	318221336	Ignitor/orifice assy., top burner, left front, 12K, w/holder, tube
14 #	5308007974	Regulator, pressure
35	318146301	Bushing
37	316240600	Screw, assy mtg, ignitor/orifice
44	316237900	Orifice, top burner, 14K
44A	316237903	Orifice, top burner, 5K
44B	316237902	Orifice, top burner, 9.5K
44C	316237901	Orifice, top burner, 12K
72	316134300	Screw, 10-24, valve mounting
73	318024201	Bracket, spark module
77	318192600	Bracket, burner mtg, (5)
77*	5304403558	Screw, 10-16 x 0.250
* #	318127425	LP Conversion Kit
*	318199742	Wiring Harness, ignitor

WIRING DIAGRAM

