

*Frigidaire*

Factory Parts Catalog

Product No.	GLHT186JB0	GLHT186JK0	GLHT186JS0	GLHT186JW0	GLHT186JPB0	GLHT186JPW0
Series	R134a Gallery	R134a Gallery	R134a Gallery	R134a Gallery	R134a Gallery	R134a Gallery
Color	black	stainless (LH)	stainless (RH)	white	black smooth	white smooth
Volts	115	115	115	115	115	115
Wiring Diagram	241582401	241582401	241582401	241582401	241582401	241582401
Owner's Guide	241857201	241857201	241857201	241857201	241857201	241857201
Market	North America	North America	North America	North America	North America	North America
Energy Guide	241868092	241868092	241868092	241868092	241868093	241868093
Service Data Sheet	241588203	241588203	241588203	241588203	241588203	241588203
Installation Instructions	240568303	240568303	240568303	240568303	240568303	240568303



Electrolux Major Appliances  
 North & Latin America  
 P.O. BOX 212378  
 AUGUSTA, GA 30917

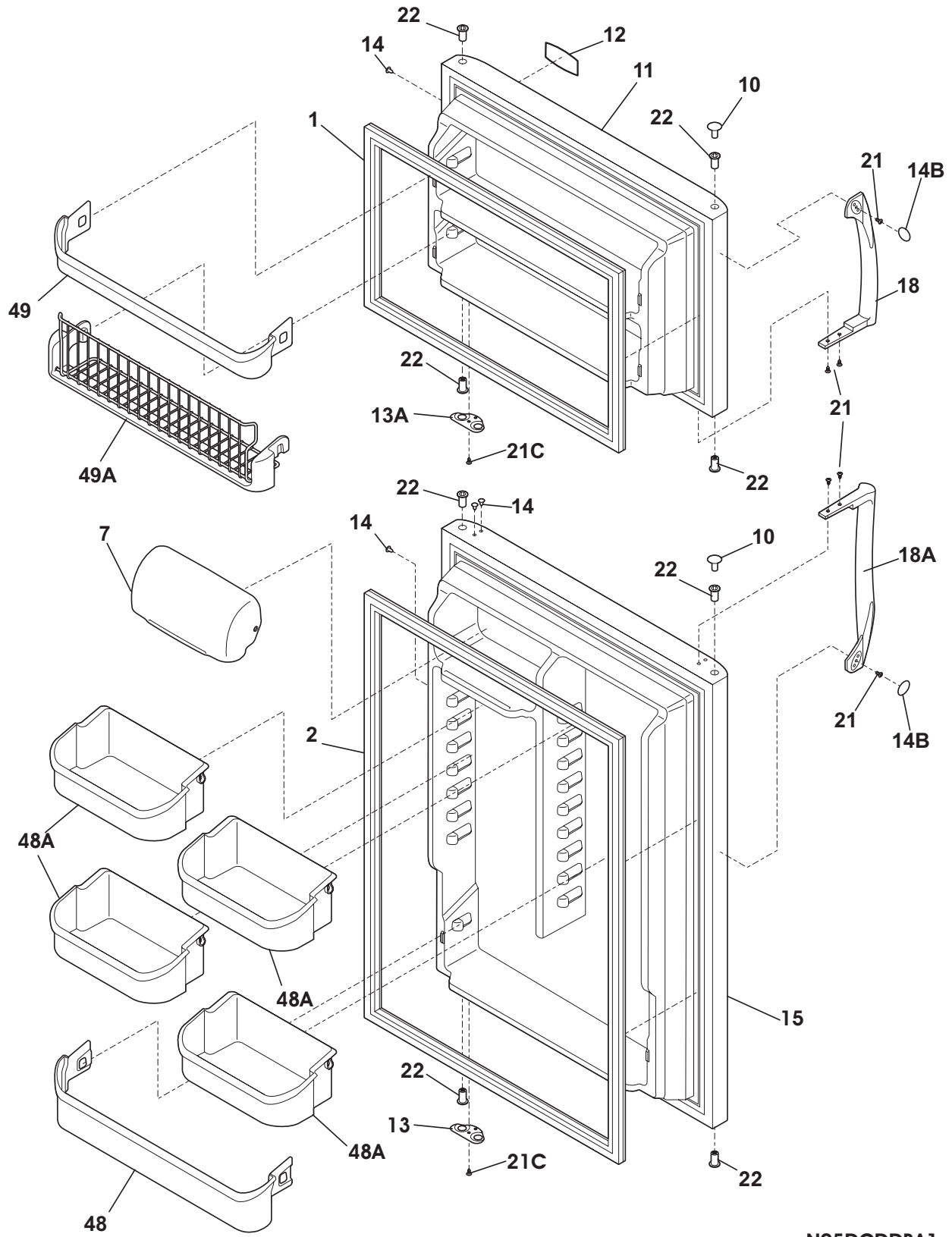
Publication No.  
**5995506846**  
 08/02/14  
 (EN/SERVICE/DCS)  
 390

**TOP-MOUNT  
 REFRIGERATOR**

Model No.  
**GLHT186J**

Copyright © 2008 Electrolux Home Products, Inc.  
 All rights reserved.

DOOR



N05DCDDBA1

## DOOR

Model Index: A GLHT186J (GLHT186JB0)  
 B GLHT186J (GLHT186JK0)  
 C GLHT186J (GLHT186JS0)  
 D GLHT186J (GLHT186JW0)  
 E GLHT186J (GLHT186JPB0)  
 F GLHT186J (GLHT186JPW0)

POS. NO	PART NO.		DESCRIPTION
1	241872509	A B C - E -	Gasket-frzr door, black, magnetic
1	241872503	- - - D - F	Gasket-frzr door, white, magnetic
2	241872512	A B C - E -	Gasket-refr door, black, magnetic
2	241872506	- - - D - F	Gasket-refr door, white, magnetic
7	240338313	A B C D E F	Door, dairy, clear
10	240381303	A - - - E -	Plug-button, black, hinge brg hole
10	240381301	- - - D - F	Plug-button, white, hinge brg hole, (2)
11	240409919	A - - - - -	Door, frzr, black
11	241623306	- B - - - -	Door-frzr, stainless, LH, complete assy
11	241623305	- - C - - -	Door, frzr, stainless, RH, complete assy
11	240409901	- - - D - -	Door-frzr, white, complete assy
11	240409918	- - - - E -	Door, frzr, black
11	240409903	- - - - - F	Panel-frzr door, white, complete assy
12	241808701	A B C D E F	Nameplate
13	240312405	A B C - E -	Door Stop, black, refr
13	240312403	- - - D - F	Door Stop, white, refr
13A	240312406	A B C - E -	Door Stop, black, frzr
13A	240312404	- - - D - F	Door Stop, white, frzr
14	240494003	A - - - E -	Plug-button, black
14	240494001	- - - D - F	Plug-button, white
14B	240383603	A B C - E -	Plug-button, black, door handle
14B	240383601	- - - D - F	Plug-button, white, door handle
15	240410124	A - - - - -	Door, refr, black
15	241623406	- B - - - -	Door-refr, stainless steel, complete assy
15	241623405	- - C - - -	Door, refr, stainless steel, stainless, RH
15	240410001	- - - D - -	Door-refr, white, complete assy
15	240410122	- - - - E -	Door, refr, black
15	240410103	- - - - - F	Panel-refr door, white, complete assy
18	240339203	A B C - E -	Handle-door, black, refr-LH/frzr-RH
18	240339201	- - - D - F	Handle-door, white, refr-LH/frzr-RH
18A	240339208	A B C - E -	Handle-door, black, refr-RH/frzr-LH
18A	240339206	- - - D - F	Handle-door, white, refr-RH/frzr-LH
21	240383406	A B C D E F	Screw, truss hd quad, #10-16 x .500, zinc
21C	218252201	A B C D E F	Screw, #8 truss hd, 10-32CA x 0.500
22	240527102	A B C - E -	Bearing-hinge, black
22	240527101	- - - D - F	Bearing-hinge, natural color
48	240338101	A B C D E F	Bin-door, pseudo, bottom
48A	240338202	A B C D E F	Bin-door, gallon
48A*	241779601	A B C D E F	Liner, bin
49	240495804	A B C D E F	Bin-door, pseudo, frzr
49A	241801402	A B C D E F	Bin-tilt out, tilt-out



**CABINET**

*Model Index:* A GLHT186J (GLHT186JB0)  
 B GLHT186J (GLHT186JK0)  
 C GLHT186J (GLHT186JS0)  
 D GLHT186J (GLHT186JW0)  
 E GLHT186J (GLHT186JPB0)  
 F GLHT186J (GLHT186JPW0)

POS. NO	PART NO.	A	B	C	D	E	F	DESCRIPTION
1	241652301	A	B	C	D	E	F	Cover-fan
2	240367001	A	B	C	D	E	F	Knob-damper control
3	5303001028	A	B	C	D	E	F	Nut, push-on
4	241523701	A	B	C	D	E	F	Damper-fan cover
5 #	5308000010	A	B	C	D	E	F	Fan Blade, red, evaporator fan
8	5300157666	A	B	C	D	E	F	Bushing-motor mtg, (2)
9	5303292396	A	B	C	D	E	F	Bracket-motor mtg, front
10	241652213	A	B	C	D	E	F	Cover-evap coil
10*	240568601	A	B	C	D	E	F	Seal-coil cover
10*	241537701	A	B	C	D	E	F	Wiring Harness, freezer section, with light
11	5303208309	A	B	C	D	E	F	Plug-hole, factory test
12	241557601	A	B	C	D	E	F	Plug-ice maker harness, rectangular
12A	240374401	A	B	C	D	E	F	Plug-wtr inlet tube, round, 1"
12A*	241586701	A	B	C	D	E	F	Plug-foam-wtr-inlet, round
13 #	240369702	A	B	C	D	E	F	Motor-evap fan
13*	215474201	A	B	C	D	E	F	Washer, "slinger", nylon, evap fan shaft
13*	218931001	A	B	C	D	E	F	Clamp-motor wiring, nylon, w/adhesive tape
14	5303292397	A	B	C	D	E	F	Bracket-motor mtg, rear
14*	240433204	A	B	C	D	E	F	Screw, hex washer head, 8-18 x 5/16
15	241560701	A	B	C	D	E	F	Light Bulb
16 #	241513901	A	B	C	D	E	F	Socket-light
21C	218252201	A	B	C	D	E	F	Screw, #8 truss hd, 10-32CA x 0.500
22	215774918	A	B	C	-	E	-	Plug-button, black, upr hinge holes
22	215774901	-	-	-	D	-	F	Plug-button, white, upr hinge holes
28	241708801	A	B	C	D	E	F	Bolt-roller adj, hex washer head, 1/4-20 x 4.020, (2), special
30	240314003	A	B	C	-	E	-	Bracket-lower hinge, black
30	240314011	-	-	-	D	-	F	Bracket-lower hinge, zinc
34	240311303	A	B	C	D	E	F	Washer, hinge, nylon, (2)
35	240313803	A	B	C	-	E	-	Bracket-ctr hinge, black
35	240313806	-	-	-	D	-	F	Bracket-ctr hinge, zinc
35A	240336803	A	B	C	-	E	-	Spacer-hinge, center, black
35A	240336802	-	-	-	D	-	F	Spacer-hinge, center
36	240516402	A	B	C	D	E	F	Pin-center hinge
37	241611303	A	B	C	-	E	-	Trim-cabinet corner, black, (2)
37	241611301	-	-	-	D	-	F	Trim-cabinet corner, white, (2)
38	240313701	A	B	C	D	E	F	Bracket-upper hinge
40	240354404	A	B	C	-	E	-	Cover-upper hinge, black
40	240354401	-	-	-	D	-	F	Cover-upper hinge, white
41	5308009759	A	B	C	D	E	F	Grommet, shelf mtg, 1.25", LH, (4)
42	240578902	A	B	C	D	E	F	Screw, hex head, 1/4-20 x 5/8
43	241882901	A	B	C	D	E	F	Roller Assy, adjustable, front, (2)
47	218233301	A	B	C	D	E	F	Channel-shelf mtg, side, (2)
48	241566901	A	B	C	D	E	F	Channel-shelf mtg, center (mll)
49	218362501	A	B	C	D	E	F	Screw, hex washer head, 8-18AB x 1.250, spacer, (2)
56	240516502	A	B	C	D	E	F	Pin-lower hinge

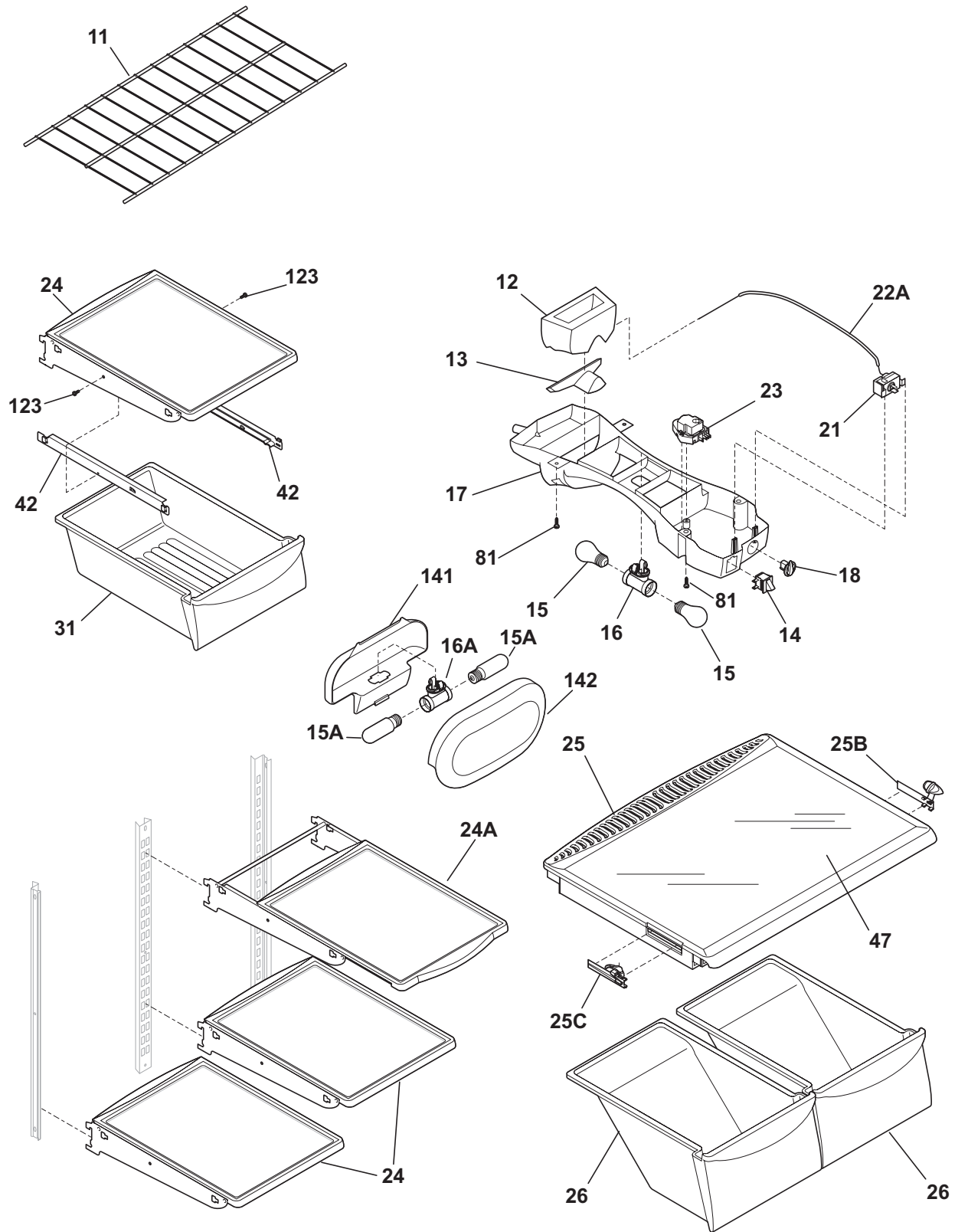


**CABINET**

*Model Index:* A GLHT186J (GLHT186JB0)  
 B GLHT186J (GLHT186JK0)  
 C GLHT186J (GLHT186JS0)  
 D GLHT186J (GLHT186JW0)  
 E GLHT186J (GLHT186JPB0)  
 F GLHT186J (GLHT186JPW0)

POS. NO	PART NO.							DESCRIPTION
58	5304456287	A	B	C	D	E	F	Screw, hex washer head, 8-15A x 0.500
59	240442707	A	B	C	-	E	-	Screw-#10-32 X 3/4, black
59	240442706	-	-	-	D	-	F	Screw-#10-32 X 3/4, zinc
72	241839407	A	B	C	-	E	-	Grille/Kickplate, black
72	241839405	-	-	-	D	-	F	Grille/Kickplate, white
74	240354302	A	B	C	D	E	F	Shield-light, frzr
81	5304455650	A	B	C	D	E	F	Screw, hex washer head, 8-15A x 0.625, low profile
82	5304418225	A	B	C	D	E	F	Roller, compressor base, rear, (2)
83	5304455655	A	B	C	D	E	F	Rivet, flat head, 1/4 OD x 1-3/4, roller pin
89	241733907	A	B	C	D	E	F	Cover-access, with label
89*	241500304	A	B	C	D	E	F	Screw, hex washer head, 8-18AB x 0.625
92	241710601	A	B	C	D	E	F	Screw, hex washer hd, 1/4 x 7/8, hinge mtg
114	241554901	A	B	C	D	E	F	Switch-light/lamp
*	240479601	A	B	C	D	E	F	Plug, button, cab liner holes
*	5303321321	A	B	C	-	E	-	Paint, touch-up, black
*	5303321319	-	-	-	D	-	F	Paint, touch-up, white

**SHELVES**



**N05SADAFX1**



**SHELVES**

*Model Index:* A GLHT186J (GLHT186JB0)  
 B GLHT186J (GLHT186JK0)  
 C GLHT186J (GLHT186JS0)  
 D GLHT186J (GLHT186JW0)  
 E GLHT186J (GLHT186JPB0)  
 F GLHT186J (GLHT186JPW0)

POS. NO	PART NO.		DESCRIPTION
11	240358005	A B C D E F	Shelf, freezer, full-width, wire
12	241542001	A B C D E F	Diffuser, air, top
13	240362601	A B C D E F	Diffuser, air, bottom
14 #	241554901	A B C D E F	Switch-light/lamp
15	241555401	A B C D E F	Light Bulb
15A	241552802	A B C D E F	Light Bulb
16	240364202	A B C D E F	Socket-light/lamp, dual
16A	241507803	A B C D E F	Socket-light
16A*	241593901	A B C D E F	Harness-wiring
17	240352701	A B C D E F	Control Box
17*	241566801	A B C D E F	Harness-wiring, c/box M/Level
18	240360801	A B C D E F	Knob, temp control
21 #	5304421256	A B C D E F	Control, temperature
22A	240468201	A B C D E F	Tube, sensor sleeve, 31 inch, plastic, white
23 #	215846606	A B C D E F	Timer, defrost, 60 Hz, 0.25 W, 120 V, 10 hour/30 min
23*	5304455649	A B C D E F	Screw-timer mtg, pan hd, 6-20 x 0.438, (2)
24	241616604	A B C D E F	Shelf, fixed, Spill Safe
24A	241730501	A B C D E F	Shelf-"Spill-Safe", cantilever, sliding
25	240364714	A B C D E F	Cover-crisper pan
25B	241613501	A B C D E F	Control-humidity, RH
25C	241613502	A B C D E F	Control-humidity, LH
26	240337103	A B C D E F	Pan-crisper, clear, (2), no graphics
31	240530811	A B C D E F	Pan-meat, w/o graphics, clear
42	240356501	A B C D E F	Track, meat pan hanger, RH
42	240365401	A B C D E F	Track, meat pan hanger, LH
47	241711220	A B C D E F	Insert-pan cover, glass
81	5304455650	A B C D E F	Screw, hex washer head, 8-15A x 0.625, low profile
123	215005101	A B C D E F	Screw, hanger/r/r mtg, 8-10 x 7/16
141	241562101	A B C D E F	Shield-heat, Mid Level
142	241562202	A B C D E F	Shield-light Mid Level
*	241868092	A B C D - -	Energy Guide
*	241868093	- - - - E F	Energy Guide

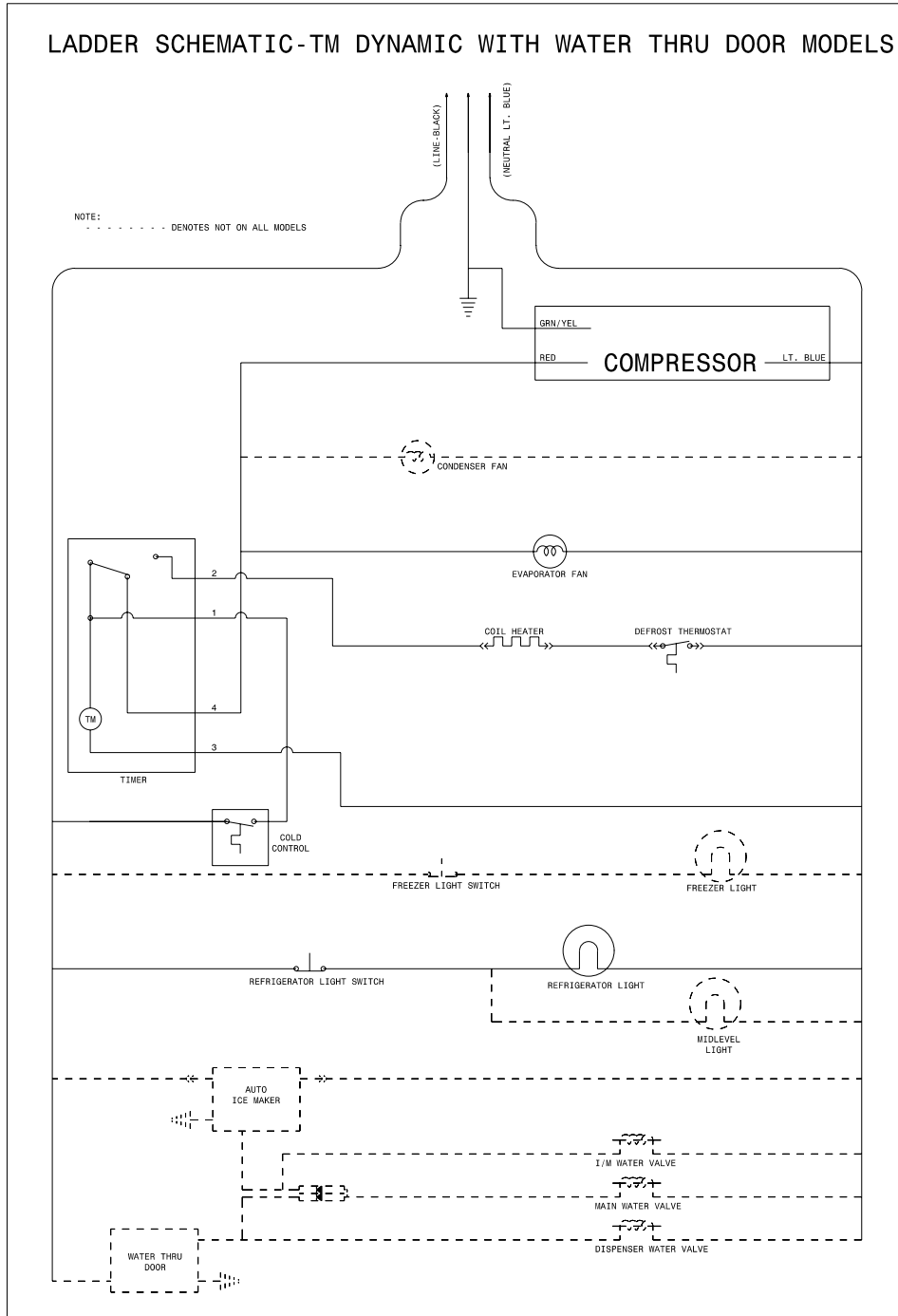


**SYSTEM**

*Model Index:* A GLHT186J (GLHT186JB0)  
 B GLHT186J (GLHT186JK0)  
 C GLHT186J (GLHT186JS0)  
 D GLHT186J (GLHT186JW0)  
 E GLHT186J (GLHT186JPB0)  
 F GLHT186J (GLHT186JPW0)

POS. NO	PART NO.		DESCRIPTION
1 #	241785404	A B C D E F	Condenser, dynamic
4	218944002	A B C D E F	Drier-filter, R134a System
6 #	241607001	A B C D E F	Harness-wiring, machine compt
6* #	241537701	A B C D E F	Wiring Harness, freezer section, with light
6* #	241566801	A B C D E F	Harness-wiring, c/box M/Level
14 #	240356221	A B C D E F	Heater-defrost
15 #	5303918274	A B C D E F	Evaporator Kit
16	5308000110	A B C D E F	Strap-evap/heater, aluminum, (2)
17	241801301	A B C D E F	Trough-drain
20	241551902	A B C D E F	Insulation Block
21 #	5303918202	A B C D E F	Thermostat-defrost, kit
22	241665606	A B C D E F	Base-compressor
22*	218252201	A B C D E F	Screw, #8 truss hd, 10-32CA x 0.500
23	218513300	A B C D E F	Grommet-compr mtg, (4)
24	241812301	A B C D E F	Washer-compr mtg
25	216056401	A B C D E F	Clip-compressor mtg
26	241683601	A B C D E F	Pan-defrost
29 #	5303918350	A B C D E F	Compressor Kit
30 #	241707703	A B C D E F	Starter, PTC
32	216649100	A B C D E F	Clamp, elec cont mtg, compressor
34	240405201	A B C D E F	Grommet, rubber, black, cond tube/wire
41	240433204	A B C D E F	Screw, hex washer head, 8-18 x 5/16
44	5304456288	A B C D E F	Clamp-wiring harness, strain relief, galv steel
45	241500304	A B C D E F	Screw, hex washer head, 8-18AB x 0.625
55	218909913	A B C D E F	Capacitor, run, 220 VAC, 15 microfarad
57	240542601	A B C D E F	Clip-wiring harness
58	240569201	A B C D E F	Screw, 8-18 x 0.500
59	240315502	A B C D E F	Shroud-cond fan
59*	240346701	A B C D E F	Tape-foam seal, shroud
59*	240359403	A B C D E F	Screw-fan shroud, (2)
59A	240346501	A B C D E F	Bracket-support, cond mtr, (3)
59B	240346601	A B C D E F	Grommet-bracket, (3)
60	241584301	A B C D E F	Motor-condenser fan
61	241639501	A B C D E F	Blade-condenser fan
82	5304418225	A B C D E F	Roller, compressor base, rear, (2)
83	5304455655	A B C D E F	Rivet, flat head, 1/4 OD x 1-3/4, roller pin
84	240500801	A B C D E F	Tube-drain, rubber, lower
85	241856901	A B C D E F	Tube-connector, suction
86	240409302	A B C D E F	Spacer-cond tube, black
*	240396801	A B C D E F	Clamp, tube/wiring, nylon, black/natural
*	5303918263	A B C D E F	Heat Exchanger Kit, suction line
*	5303918222	A B C D E F	Hot Tube Repair Kit, service

### WIRING SCHEMATIC



# WIRING DIAGRAM

