



Freezer

FFFU17M1QW

Manual Defrost
17 Cu. Ft. Upright



Product Dimensions

Height (Including Hinges)	67-11/16"
Width	34"
Depth (Including Door)	28-1/2"

More Easy-To-Use Features

Colour-Coordinated Handle

Adjustable Temperature Control
Select the correct temperature for your needs.

Available in:



White
(W)

Signature Features

Bright Lighting

Our bright lighting makes it easy to see what's inside.

Lock with Pop-Out Key

The freezer key automatically ejects after locking the door so you won't leave it in the door.

Power-On Indicator Light

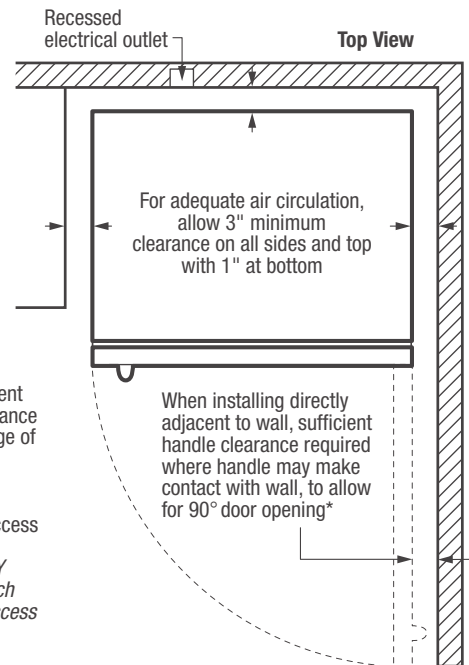
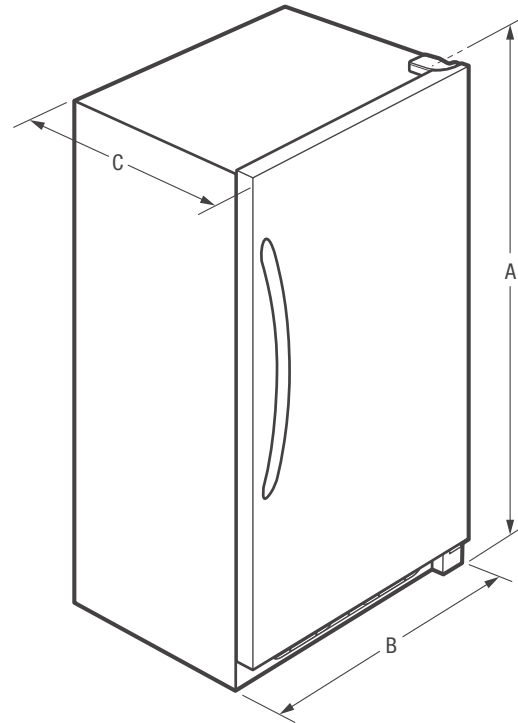
Know at a glance that your freezer is working.

Defrost Water Drain

Use the drain to conveniently remove water during defrosting.

Features	
Door Handle Design	Reach-Through
Reversible Door	
Automatic Door Closer	Yes
Leveling Legs	Yes
Lock with Pop-Out Key	Yes
Defrost	Manual
Adjustable Temperature Control	Mechanical Dial
Front Digital Display	
Temp Display Mode	1-7
High-Temp Duration Readout	
High-Temp Alarm	
Door Ajar Alarm	
Airflow Ports	
Interior Lighting	Incandescent
Full-Width Adjustable Shelves	
Full-Width Fixed Shelves	3 Wire
Removable Trivet	
Mid-Level Baskets	
Lower Storage Basket	
Basket Dividers	
Retractable Pizza Shelf	
Full-Width Door Bins	
Fixed Door Racks	5
Defrost Drain	Yes
Power-On Light	Yes
Certifications	
CSA Rating	Household
Specifications	
Total Capacity (Cu. Ft.)	17.35
Shelf Area (Sq. Ft.)	12
Annual Energy (kWH)	362
Annual Energy Cost (.12/kWH)	\$43
Power Supply Connection Location	Lower Right Rear
Voltage Rating	115V, 60Hz
Connected Load (kW rating) @ 115 Volts ¹	.60
Amps @ 115 Volts	5
Minimum Circuit Required (Amps)	15
Shipping Weight (Approx.)	198 Lbs.

¹An electrical supply with grounded three-prong receptacle is required. The power supply circuit must be installed in accordance with current local codes & ordinances.



* When installing freezer adjacent to wall, cabinet or other appliance that extends beyond front edge of unit, 20" minimum clearance recommended to allow for optimum 140° door swing, providing complete basket access and removal. (Absolute 3" minimum clearance will ONLY allow for 90° door swing which will provide limited basket access with restricted removal.)

NOTE: For planning purposes only. Always consult local and national electric codes. Refer to Product Installation Guide for detailed installation instructions on the web at frigidaire.ca.



Product Dimensions	
A - Height (Including Hinges)	67-11/16"
B - Width	34"
C - Depth (Including Door)	28-1/2"
Depth with Door Open 90°	60-1/4"

Accessories information available on the web at frigidaire.ca