

FRIGIDAIRE

FFFU20F4VN
FFFU20F4VW

Available Colors : Carbon, White

Version : 06/19

Upright Freezer

20.0 Cu. Ft Upright Freezer



Product Specifications

Exterior

Auto Close Door	Yes
Cabinet Finish	White
Reversible Door	Yes

Freezer

Automatic Defrost	Yes
Door Bin Color	Clear
Interior Lighting	LED
Number of Adjustable Shelves	4
Number of Fixed Door Bins	5
Shelf Material	Glass

Controls

Control Location	External
Control Type	Electronic user interface
Door Ajar Alarm	Yes
High Temp Alarm	Yes
Power On/Off	Yes
Sabbath Mode	Yes

Electrical Specifications

Minimum Circuit Required (Amps)	15
Power Cord Location	Right Bottom Rear
Voltage Rating	115V 60Hz

General Specifications

Refrigerant Type	R600a
------------------	-------

Certifications & Approvals

ENERGY STAR® Certified	No
CSA Listed	Yes

Dimensions and Volume

Total Capacity (Cu. Ft.)	20
Depth With Door	28-1/4"
Depth With Door 90° Open	58"
Depth With Door and Handle	29-7/8"
Depth of Cabinet	24-1/4"
Height With Hinge	71-3/4"
Width	32-5/8"

Note: For planning purposes only. Always consult local and national electric, gas and plumbing codes. Refer to Product Installation Guide for detailed installation instructions on the web at frigidaire.com/frigidaire.ca. Specifications subject to change. Accessories information available on the web at frigidaire.com/frigidaire.ca

FRIGIDAIRE

USA • 10200 David Taylor Drive • Charlotte, NC 28262 • 1-800-FRIGIDAIRE • frigidaire.com
CANADA • 5855 Terry Fox Way • Mississauga, ON L5V 3E4 • 1-800-265-8352 • frigidaire.ca

©2018 Electrolux Home Products, Inc.

FFFU20F4VN
FFFU20F4VW

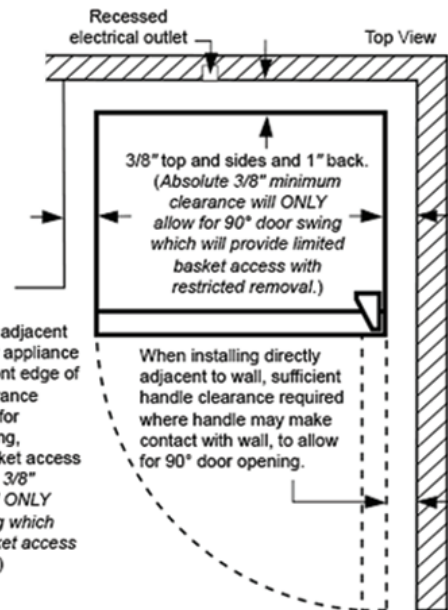
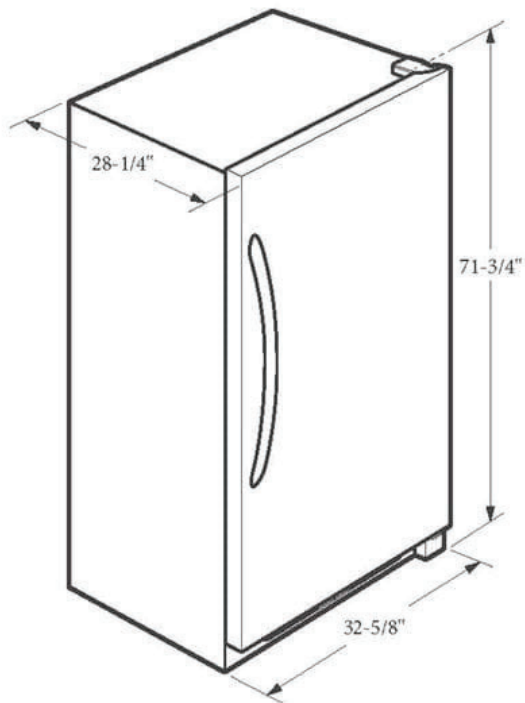
Available Colors : Dark Gray, White

Version : 06/19

Upright Freezer

20.0 Cu. Ft Upright Freezer

Installation Drawing



When installing freezer adjacent to wall, cabinet or other appliance that extends beyond front edge of unit, 20" minimum clearance recommended to allow for optimum 125° door swing, providing complete basket access and removal. (Absolute 3/8" minimum clearance will ONLY allow for 90° door swing which will provide limited basket access with restricted removal.)

When installing directly adjacent to wall, sufficient handle clearance required where handle may make contact with wall, to allow for 90° door opening.

Note: For planning purposes only. Always consult local and national electric, gas and plumbing codes. Refer to Product Installation Guide for detailed installation instructions on the web at frigidaire.com/frigidaire.ca. Specifications subject to change. Accessories information available on the web at frigidaire.com/frigidaire.ca.