

U19 All Refrigerator and All Freezer Trim Kit Installation

Product Line: U19 All Refrigerator and All Freezer Models

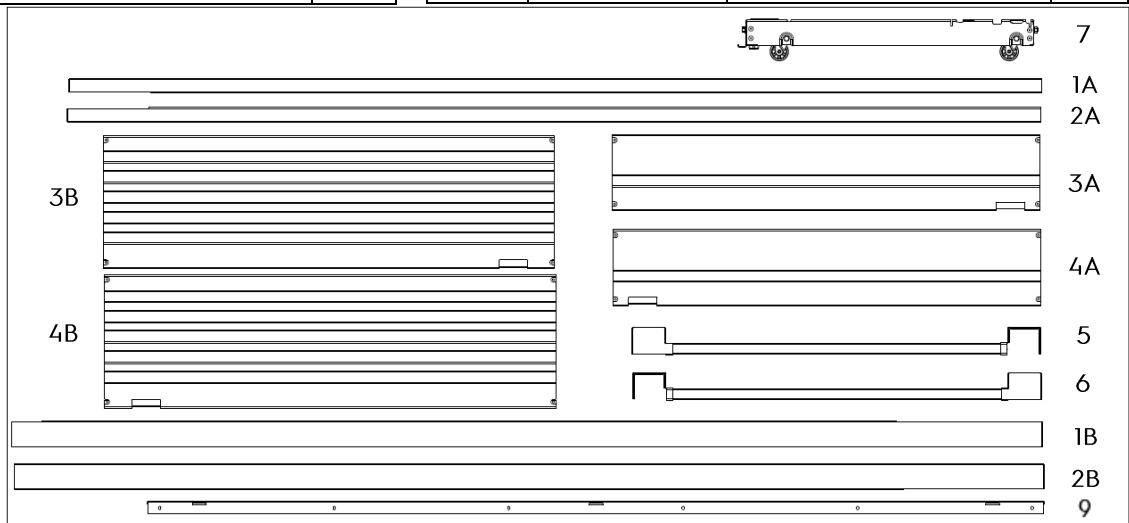
Serial Number Range: All Serial number ranges

Single Trim Kit Components (79" & 84"-Tall Cabinet Cutouts)

Parts Included in Kit TRMKTEZ1FL79 (Frigidaire):
Parts Included in Kit TRMKTSSILV84 (Electrolux):

Single Trim Kit A16405201			
ITEM	PART NUMBER	DESCRIPTION	QTY
1A	A18684901	Side Trim, RH	1
2A	A18684902	Side Trim, LH	1
3A	A16766503	Top Trim, Flat RH	1
4A	A16766505	Top Trim, Flat LH	1
5	A18684505	Toe Kick, RH	1
6	A18684507	Toe Kick, LH	1
7	A17111301	Leveler Assembly	2
8	A20841303	Hardware Pack U19, Single	1

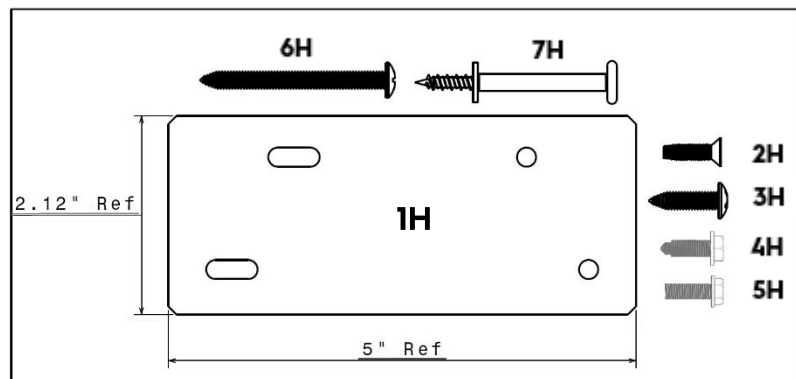
Single Trim Kit A19895901			
ITEM	PART NUMBER	DESCRIPTION	QTY
1B	A19036503	Side Trim, RH	1
2B	A19036504	Side Trim, LH	1
3B	A19036402	Top Trim, Louver RH	1
4B	A19036403	Top Trim, Louver LH	1
5	A18684506	Toe Kick, RH	1
6	A18684508	Toe Kick, LH	1
7	A17111301	Leveler Assembly	2
8	A20841304	Hardware Pack U19, Single	1
9	A19036701	Side Trim Attachment	2



Hardware Pack A20841303			
ITEM	PART NUMBER	DESCRIPTION	QTY
1H	A18695801	Tie Bar, Top	1
2H	297142600	Screw, Flathead, 8-32	2
3H	050149	Screw, Round, 8-18	4
4H	A16955502	Bolt, M5x16	6
5H	A21188301	Bolt, 1/4-20	2
6H/7H	A20706101	Trim Base Screw	1

Hardware Pack A20841304			
ITEM	PART NUMBER	DESCRIPTION	QTY
1H	A18695801	Tie Bar, Top	1
2H	297142600	Screw, Flathead, 8-32	2
3H	050149	Screw, Round, 8-18	12
4H	A16955502	Bolt, M5x16	6
5H	A21188301	Bolt, 1/4-20	2

NOTE: All Hardware Pack components mentioned throughout this instruction sheet will have an "H" after the item number.



Dual Trim Kit Components (75" & 79"-Tall Cabinet Cutouts)
Parts Included in Kit TRMKTEZ2FL75 (Frigidaire):
Parts Included in Kit TRMKTEZ2LV79 (Frigidaire):

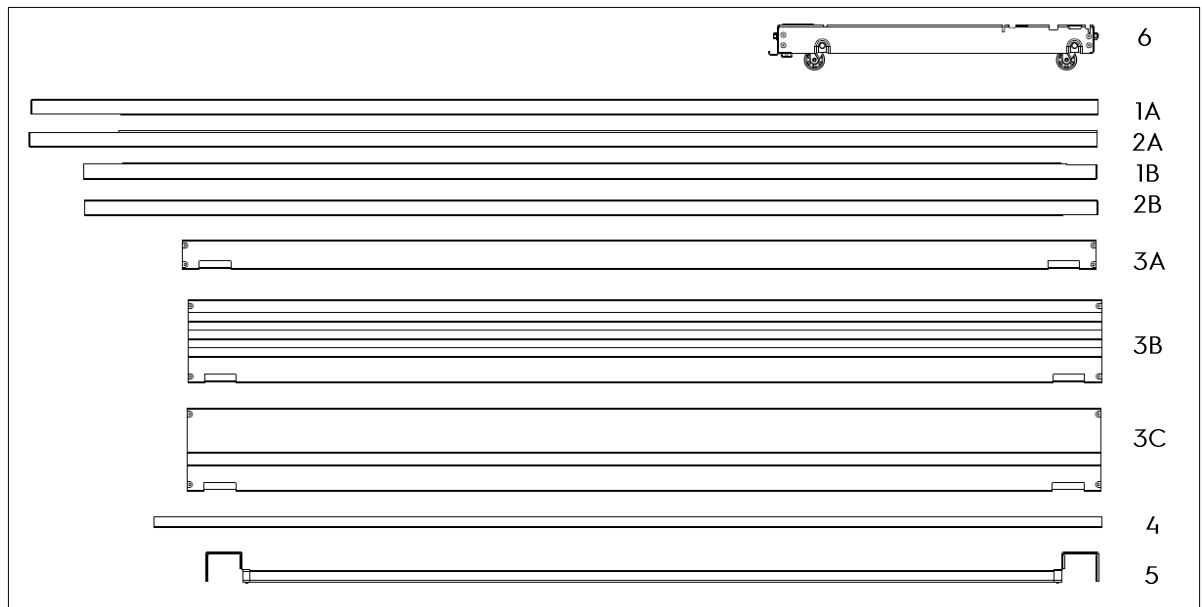
Double Trim Kit A18643301			
ITEM	PART NUMBER	DESCRIPTION	QTY
1B	A18685001	Side Trim, RH	1
2B	A18685002	Side Trim, LH	1
3A	A18694901	Top Trim, Collar	1
4	A18685101	Center Trim	1
5	A18684501	Toe Kick	1
6	A17111301	Leveler Assembly	4
7	A20841301	Hardware Pack U19, Single	1

Double Trim Kit A16405401			
ITEM	PART NUMBER	DESCRIPTION	QTY
1A	A18684901	Side Trim, RH	1
2A	A18684902	Side Trim, LH	1
3B	A18804301	Top Trim, Louver	1
4	A18685101	Center Trim	1
5	A18684501	Toe Kick	1
6	A17111301	Leveler Assembly	4
7	A20841301	Hardware Pack U19, Single	1

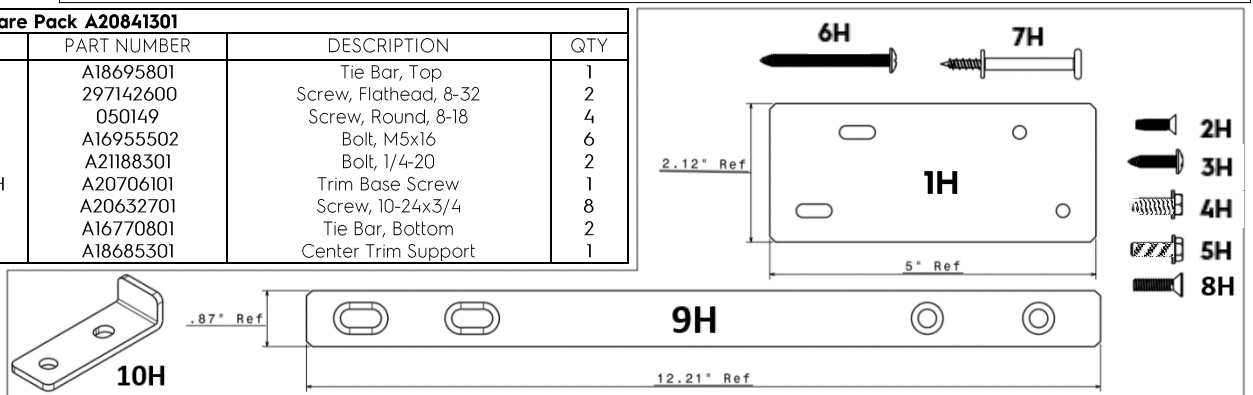
Parts Included in Kit TRMKTEZ2FL79 (Frigidaire):
Parts Included in Kit TRMKTSS2FL79 (Electrolux):

Double Trim Kit A16404901			
ITEM	PART NUMBER	DESCRIPTION	QTY
1A	A18684901	Side Trim, RH	1
2A	A18684902	Side Trim, LH	1
3C	A16766501	Top Trim, Flat	1
4	A18685101	Center Trim	1
5	A18684501	Toe Kick	1
6	A17111301	Leveler Assembly	4
7	A20841301	Hardware Pack U19, Single	1

Double Trim Kit A16404902			
ITEM	PART NUMBER	DESCRIPTION	QTY
1A	A18684903	Side Trim, RH	1
2A	A18684904	Side Trim, LH	1
3C	A16766502	Top Trim, Flat	1
4	A18685102	Center Trim	1
5	A18684502	Toe Kick	1
6	A17111301	Leveler Assembly	4
7	A20841301	Hardware Pack U19, Single	1

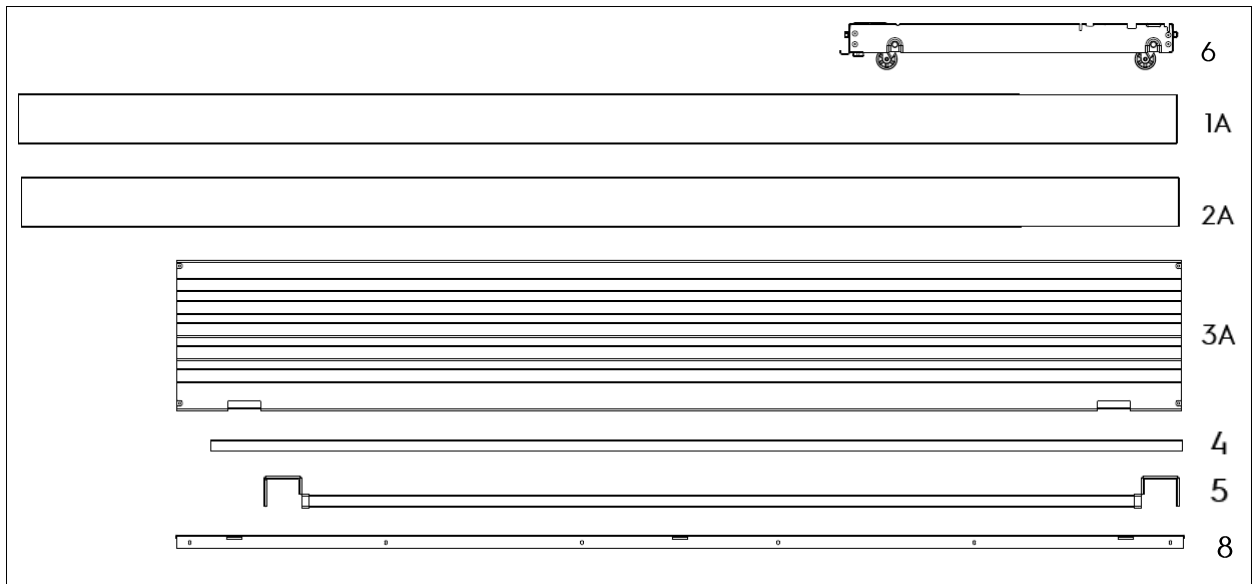


Hardware Pack A20841301			
ITEM	PART NUMBER	DESCRIPTION	QTY
1H	A18695801	Tie Bar, Top	1
2H	297142600	Screw, Flathead, 8-32	2
3H	050149	Screw, Round, 8-18	4
4H	A16955502	Bolt, M5x16	6
5H	A21188301	Bolt, 1/4-20	2
6H/7H	A20706101	Trim Base Screw	1
8H	A20632701	Screw, 10-24x3/4	8
9H	A16770801	Tie Bar, Bottom	2
10H	A18685301	Center Trim Support	1

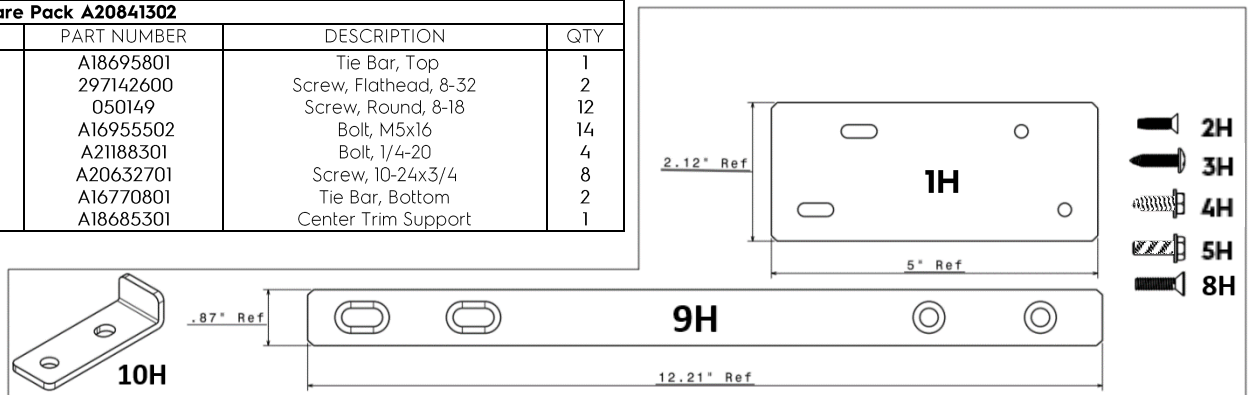


Dual Trim Kit Components (84"-Tall Cabinet Cutouts)
Parts Included in Kit TRMKTSS2LV84 (Electrolux):

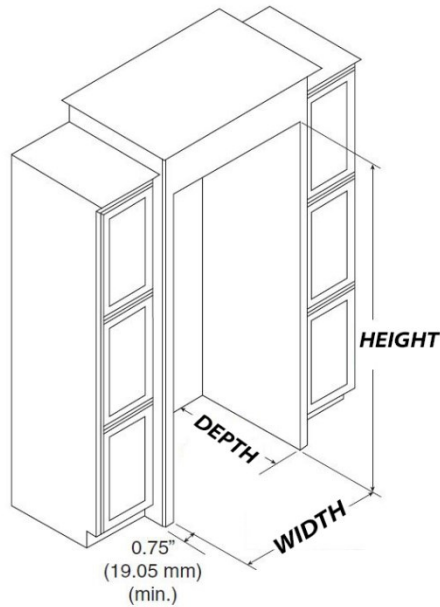
Double Trim Kit A16405301			
ITEM	PART NUMBER	DESCRIPTION	QTY
1A	A19036501	Side Trim, RH	1
2A	A19036502	Side Trim, LH	1
3A	A19036401	Top Trim, Louvered	1
4	A18685102	Center Trim	1
5	A18684502	Toe Kick	1
6	A17111301	Leveler Assembly	4
7	A20841302	Hardware Pack U19, Double	1
8	A19036701	Side Trim Attachment	2



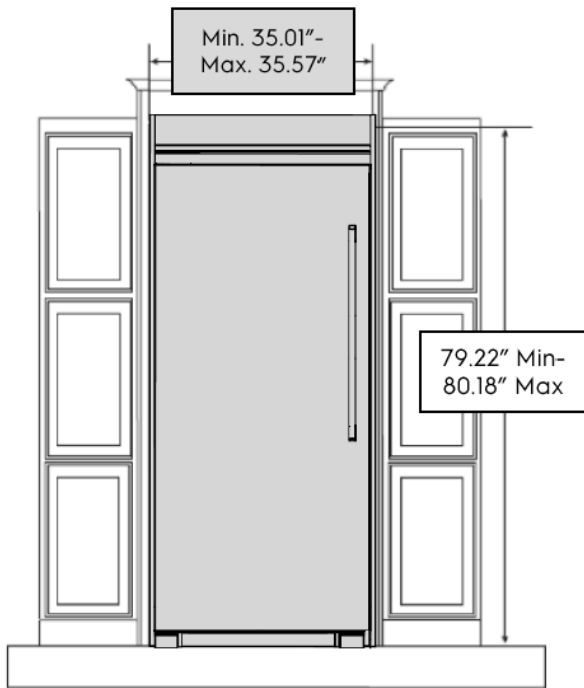
Hardware Pack A20841302			
ITEM	PART NUMBER	DESCRIPTION	QTY
1H	A18695801	Tie Bar, Top	1
2H	297142600	Screw, Flathead, 8-32	2
3H	050149	Screw, Round, 8-18	12
4H	A16955502	Bolt, M5x16	14
5H	A21188301	Bolt, 1/4-20	4
8H	A20632701	Screw, 10-24x3/4	8
9H	A16770801	Tie Bar, Bottom	2
10H	A18685301	Center Trim Support	1



Single Trim Kits (79" & 84"-Tall Cabinet Cutouts)

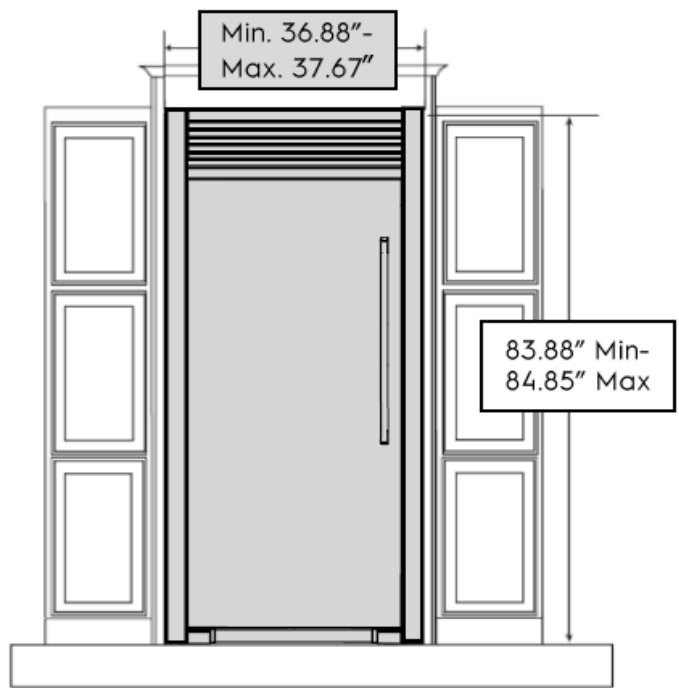


TRMKTEZIFL79 (Frigidaire)

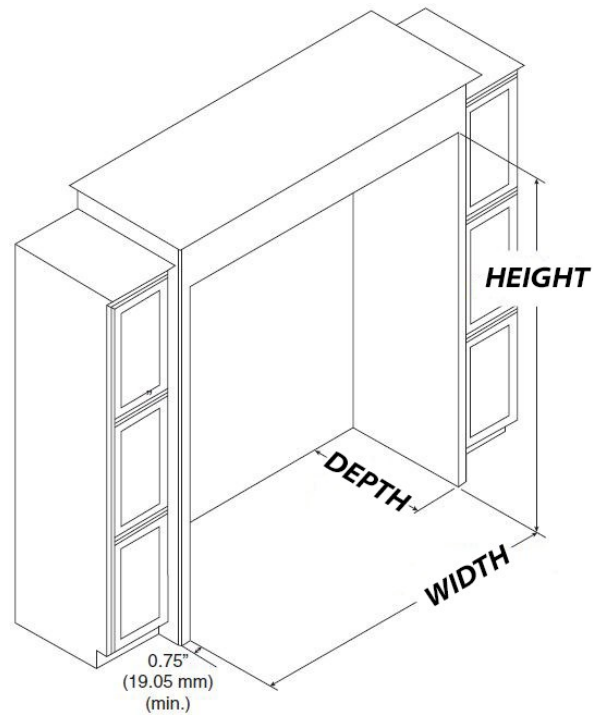
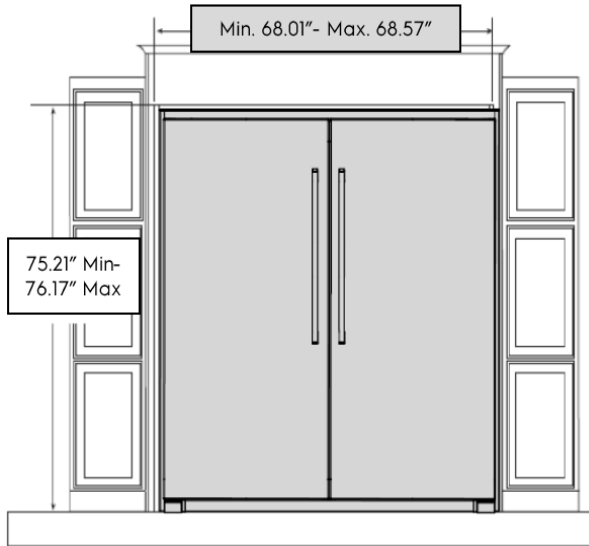


Recommended cutout size:
 Height: 79" +/- 0.06"
 Width: 33" +/- 0.032"
 Depth: 25.25" minimum

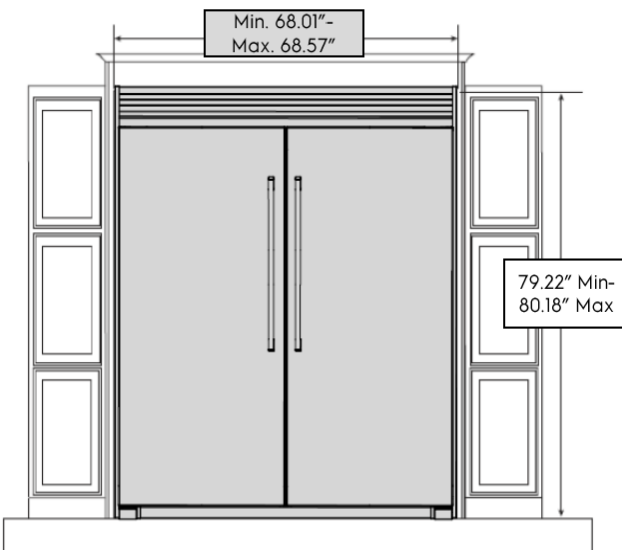
TRMKTSSILV84 (Electrolux)



Recommended cutout size:
 Height: 83.75" +/- 0.06"
 Width: 35.5" +/- 0.032"
 Depth: 24.00" minimum

Dual Trim Kits (75" & 79"-Tall Cabinet Cutouts)
TRMKTEZ2FL75 (Frigidaire)


Recommended cutout size:
 Height: 75" +/- 0.06"
 Width: 66.25" +/- 0.032"
 Depth: 25.25" minimum

TRMKTEZ2LV79 (Frigidaire)


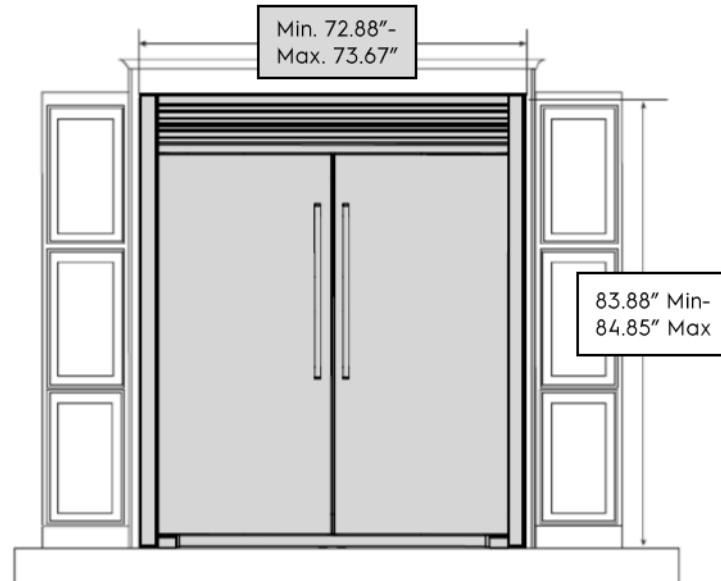
Recommended cutout size:
 Height: 79" +/- 0.06"
 Width: 66.25" +/- 0.032"
 Depth: 25.25" minimum

**TRMKTEZ2FL79 (Frigidaire)
 TRMKTSS2FL79 (Electrolux)**


Recommended cutout size:
 Height: 79" +/- 0.06"
 Width: 66.25" +/- 0.032"
 Depth: 25.25" minimum

Dual Trim Kits (84"-Tall Cabinet Cutouts)

TRMKTSS2LV84 (Electrolux):

**Recommended cutout size:**

Height: 83.75" +/- 0.06"

Width: 71.5" +/- 0.032"

Depth: 24.00" minimum

Safety: Always wear safety glasses when using power tools.**Tools Needed:**

- Phillips™ Screwdriver
- Flathead Screwdriver
- Safety Glasses
- Tape Measure
- 3/8" & 5/16" socket wrench
- 3/8" nut driver
- Power Drill and 5/16" nut driver bit
- Step Ladder
- Tape Measure
- Gloves

Before you begin:

- Be careful when unpacking components. Do not use sharp objects when removing packaging material. This may scratch the surface of the trim components
- Use extreme care when handling the metal trim pieces. Gloves are recommended. Corners are very sharp and easily damaged if dropped.

Instructions for Dual Installation Trim Kits:

TRMKTEZ2FL75 (Frigidaire)
TRMKTEZ2LV79 (Frigidaire)
TRMKTEZ2FL79 (Frigidaire)
TRMKTSS2FL79 (Electrolux)
TRMKTSS2LV84 (Electrolux)

Leveling System Installation

1. a. Lay refrigerator & freezer on its back on packaging material or a drop cloth to prevent damage.
- b. Remove all four rear leg levelers by unscrewing counterclockwise (Figure 1, left detail).
- c. Remove all four front leg levelers by unscrewing the outer peg and two bolts on each front leveler with a 5/16" nut driver. Remove the hinge cover if installed (Figure 1, right detail).

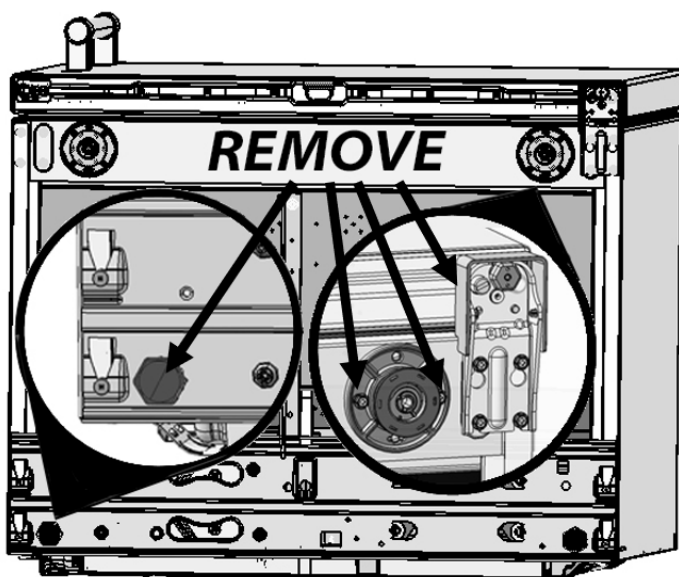


Figure 1

2. Lay the parts out on a cleared area face down. Be sure to place a drop cloth over the floor to prevent scratching trim kit and/or floor. (Figure 2.)

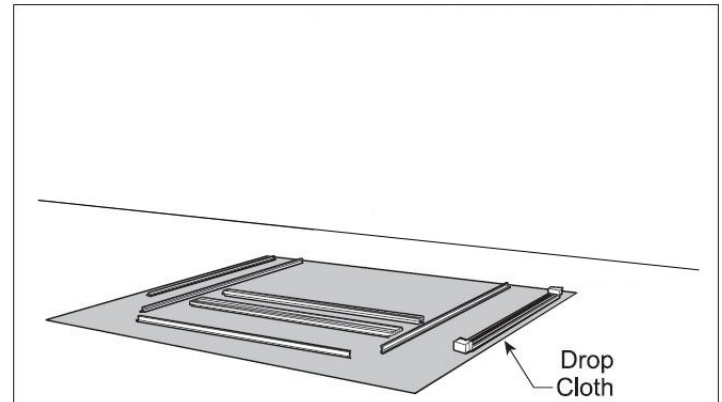


Figure 2

3. a. Fit the first Leveler Assembly onto a refrigerator/freezer as shown in Figure 3:

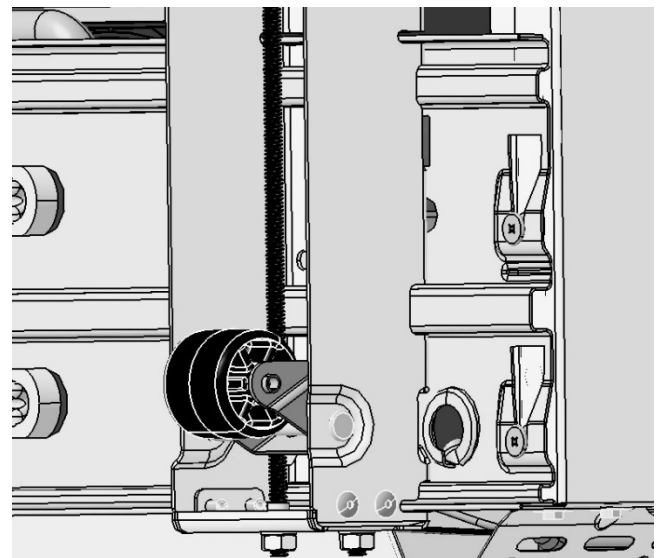


Figure 3

- b. Using the 4H bolts from step 1, fasten the front of the Leveler Assembly to the refrigerator/freezer using a 5/16" Nut Driver (Figure 4). If more fastening space is required, rotate the bolt labeled "F" clockwise (Figure 5) using a flat head screwdriver or a 3/8" socket wrench.

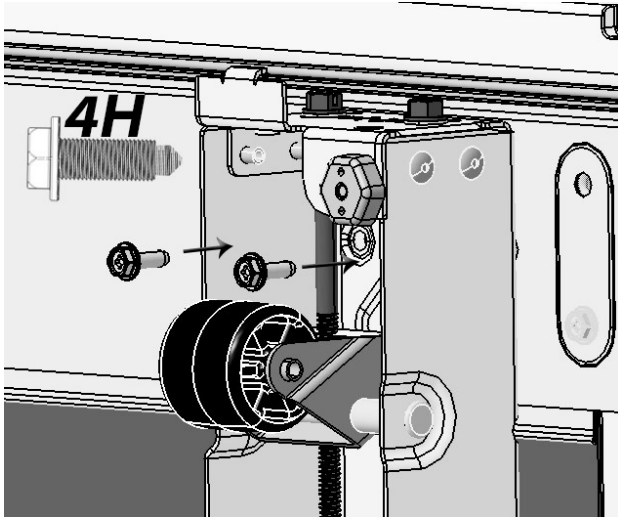


Figure 4

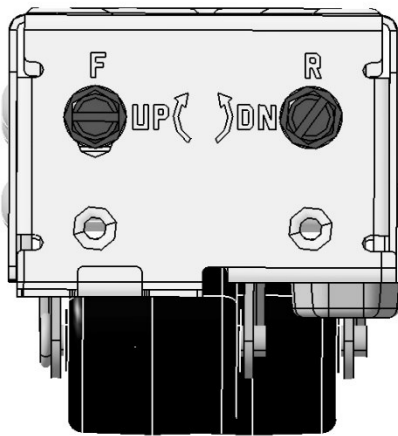


Figure 5

- c. Using a 5H bolt and a power drill, fasten the bottom of the Leveler Assembly with a 3/8" Hex drill bit in whichever hole overlaps the screw hole (Figure 6).

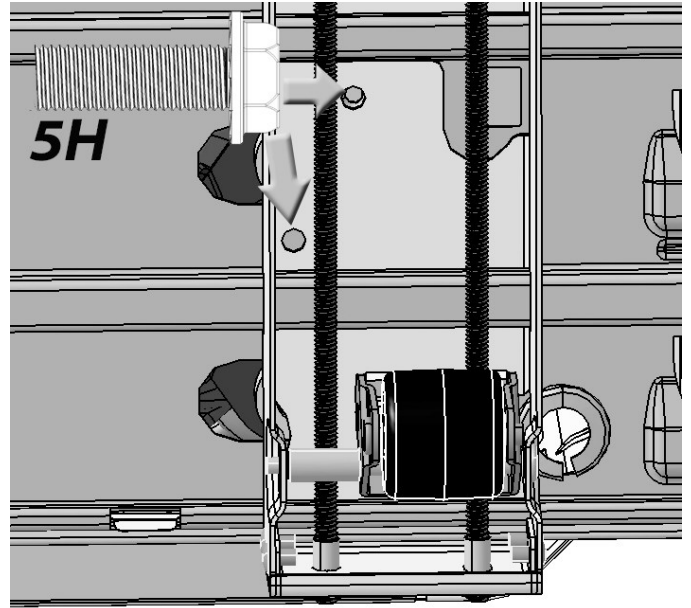


Figure 6

- d. Attach remaining 3 Leveler Assemblies as described in the previous 3 steps. With the unit(s) still on their backs, adjust all leveling wheels to approximately the orientation in Figure 7:

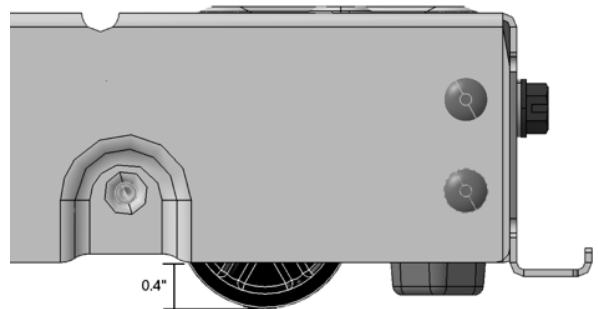


Figure 7

Trim Kit Tie Bar Installation

4. With the refrigerator still on its back, use a 5/16" nut driver to remove two 4H bolts, and fasten the 10H L-Bar as shown in Figure 8.

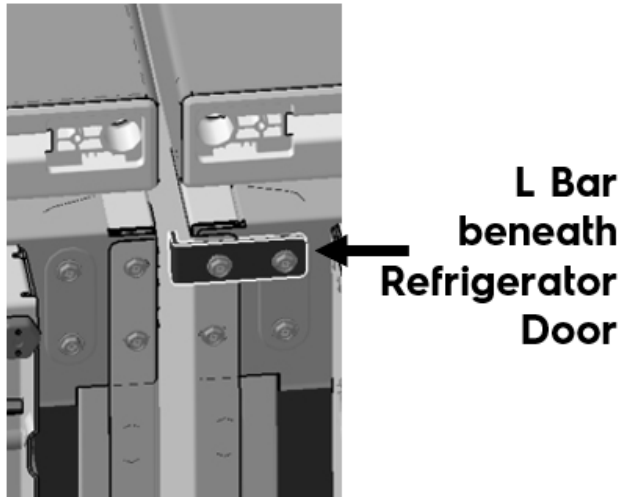


Figure 8

Leveling the Refrigerator and Freezer

5.
 - a. Tilt the units upright.
 - b. Place the units into the cabinet space, or as close to the final position as possible. (do not hook up power or water yet). This step is important to accurately level the units prior to further installs.

- c. Use a flat head screw driver or a 3/8" socket wrench to adjust the front ("F") and rear ("R") bolts of the Leveler Assemblies as seen in Figure 5. Raise or lower the front and back wheels as needed (Figure 9), ensuring the refrigerator is parallel to the freezer.

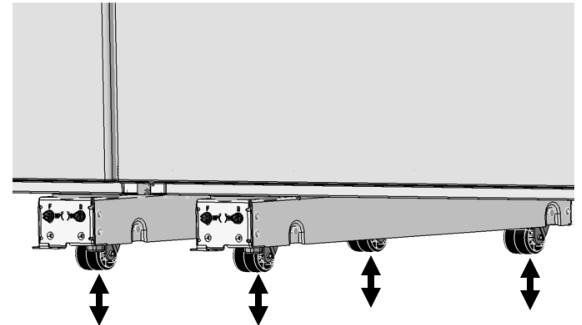


Figure 9

- d. Once the Leveler Assemblies have been checked, roll out the refrigerator and freezer in front of the cabinetry for accessibility.

6. Having the refrigerator/freezer standing side by side 0.5" apart, fasten a 9H bracket to the front of the Levelers as shown in Figure 10, keeping the left-side 8H screws loose.

Note: One side of the brackets are slotted for fine adjustments in step 8c.

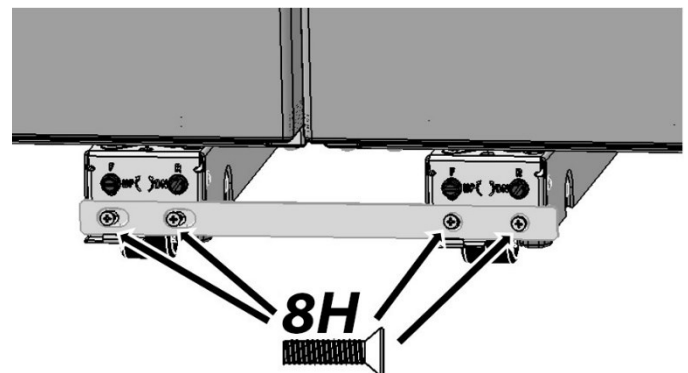


Figure 10

7. Attach the other 9H bracket to the rear levelers as shown in Figure 11, keeping the right screws loose.

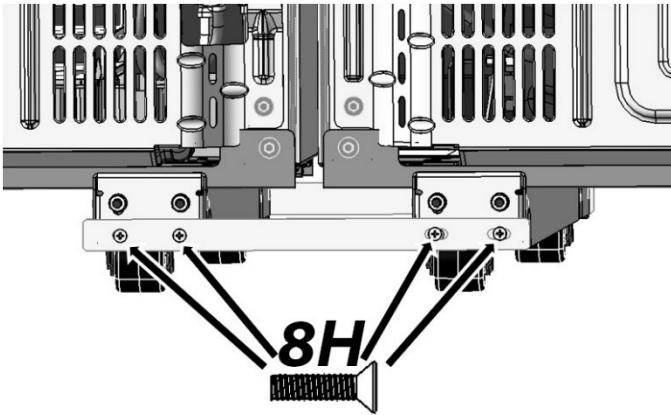


Figure 11

8. Attach the 1H top bracket as shown in Figure 9, keeping the two left 4H bolts loose.

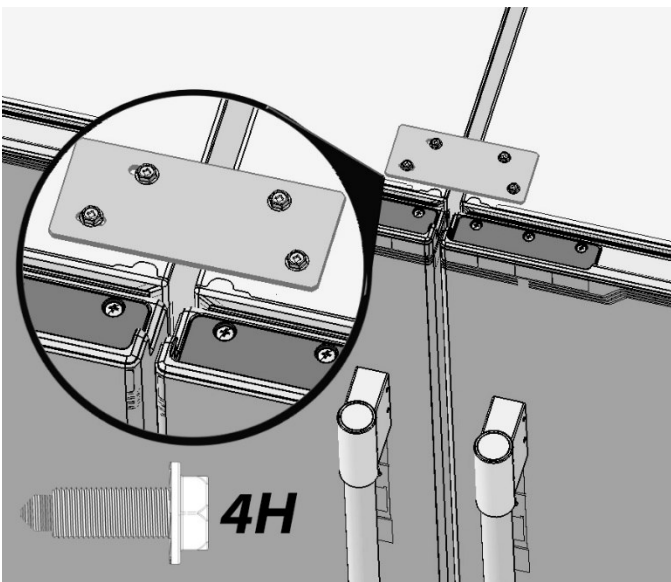


Figure 12

9. a. Open the doors and place the middle trim in between the two units.
- b. Adjust the proximity of the units as needed to centralize the middle trim.

Start by fastening the screws on top 1H bracket in order to evenly space the Center Trim (Figure 13).

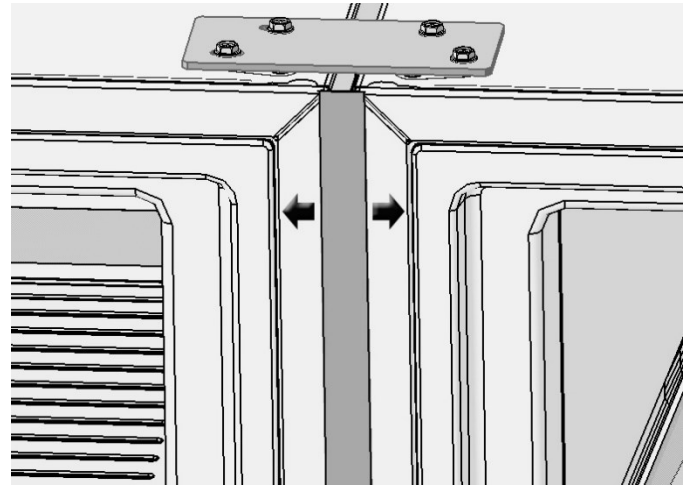


Figure 13

- c. Fasten the four 8H screws (Figure 10 and 11) through two front and back 9H brackets. Several adjustments may be needed for the center trim to be consistently flush and centered to the units.

Note: Before moving on, ensure doors close without interference and remain parallel. Adjusting the height of the wheels can help remedy door alignment issues. Refer to Use and Care Manual if needed to adjust door height.

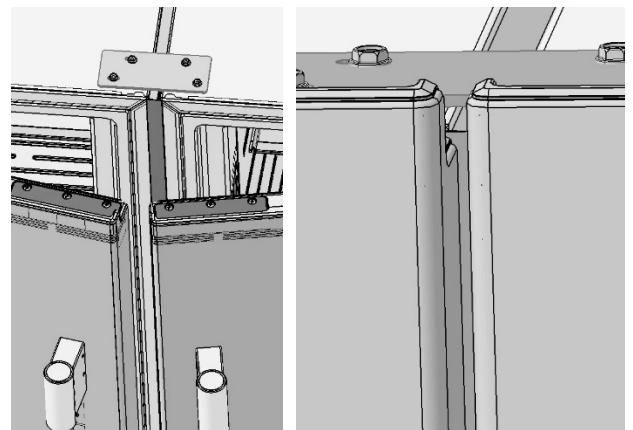


Figure 14

NOTE:

Some cabinet substrates may require pre-drilling holes using a 1/8" (3mm) diameter drill bit.

Electrolux TRMKTSS2LV84 Side Trim Attachment Setup (not all models)

10. Using eight 3H screws and a power drill, attach the two Side Trim Attachment brackets to the front left and right cabinet cut-out edges with the brackets touching the floor (Figure 15). Ensure that the rectangular slots extend over the cabinet edge.

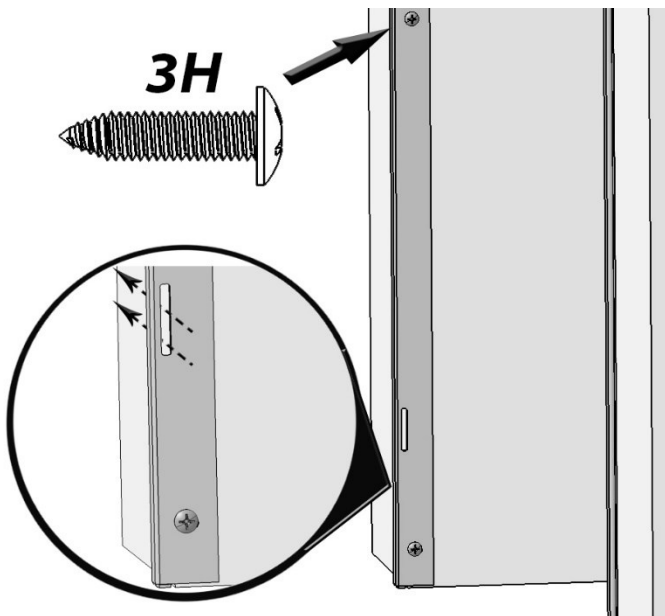


Figure 15

Side Trim Attachment Setup for:

TRMKTEZ2FL75 (Frigidaire)
TRMKTEZ2LV79 (Frigidaire)
TRMKTEZ2FL79 (Frigidaire)
TRMKTSS2FL79 (Electrolux)

11. Depending on which long screw you received (6H or 7H), screw a long screw in the lower left area (Figure 16) of the front cabinet space, approximately in the location described in Figure 17.

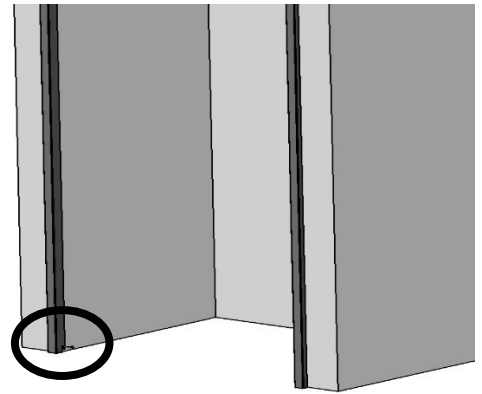


Figure 16

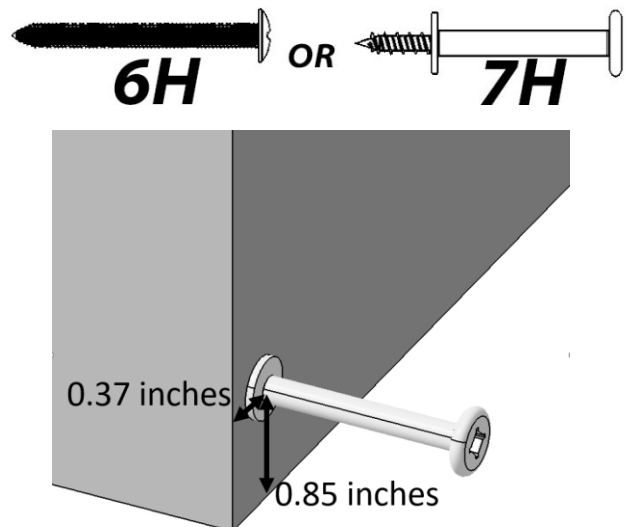


Figure 17

12. Repeat step 11 for the right side of the cabinet using the other 6H/7H screw.

Power and Water Lines

Note: Refer to the Use and Care Manual for power requirements and water supply hook up before proceeding. Service Kit TTFLTRICEKIT for connected water and ice filtration can be found at www.electrolux.com.

Top Trim Attachment

NOTE: Step ladder required for installing top trim components.

13. a. Remove front outer hinge screws common on both sides of the dual installation, as well as the two 4H screws that fasten the 1H Tie Bar in Figure 18.

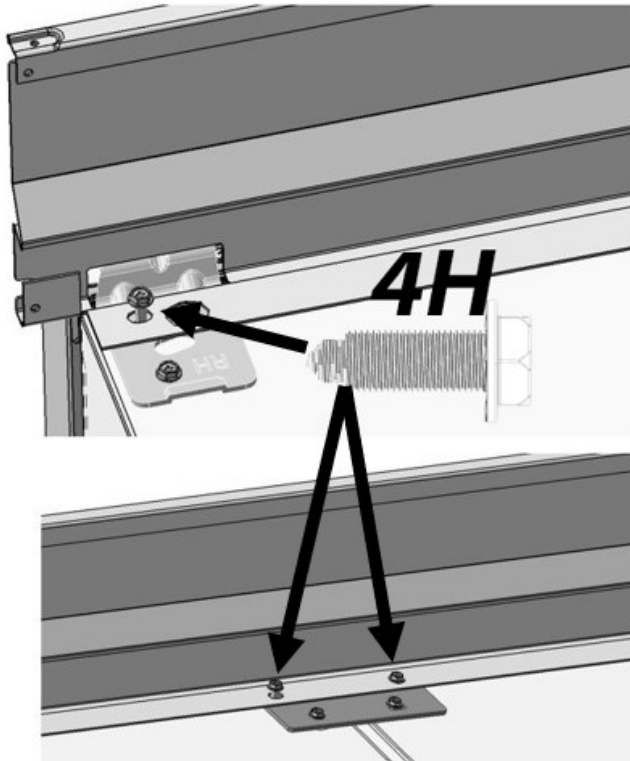


Figure 18

- b. Roll the dual installation into the cabinet, roughly 3-quarters of the way in, ensuring the product is centered in the cabinet cutout.

- c. Install top trim by fastening four 4H screws along the base of the trim with a 5/16" socket wrench (Figure 18).

14. a. Slide dual installation into place, and double check it is center inside the cabinets.

- b. Drill 1/8" pilot holes and fasten two 3H screws on the right side of the Top Trim (one screw per side for Collared top trim) with a Phillips driver to cabinets (Figure 19).

- c. Repeat for the left side.

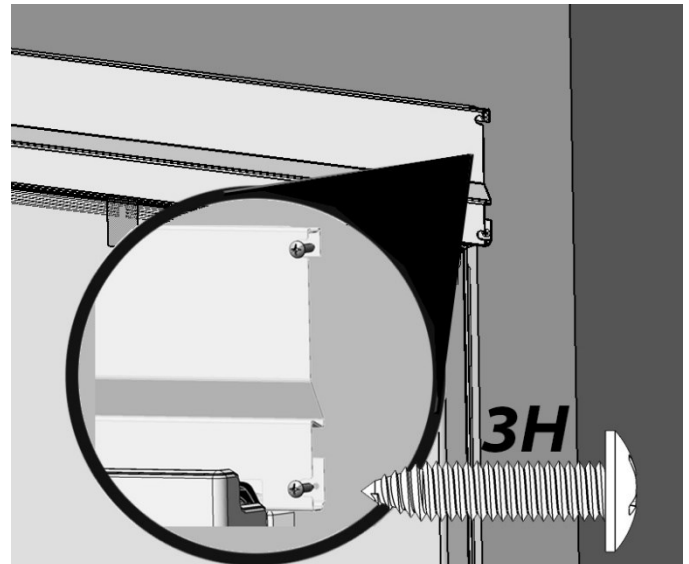


Figure 19

Side Trim Installation for:

TRMKTEZ2FL75 (Frigidaire)
TRMKTEZ2LV79 (Frigidaire)
TRMKTEZ2FL79 (Frigidaire)
TRMKTSS2FL79 (Electrolux)

15. a. Place side trims in position by dropping them over the placement screw as seen in Figure 16 and fitting over the top trim (Figure 20).
- b. Fasten 2H screw to each side of top trim (Figure 20).

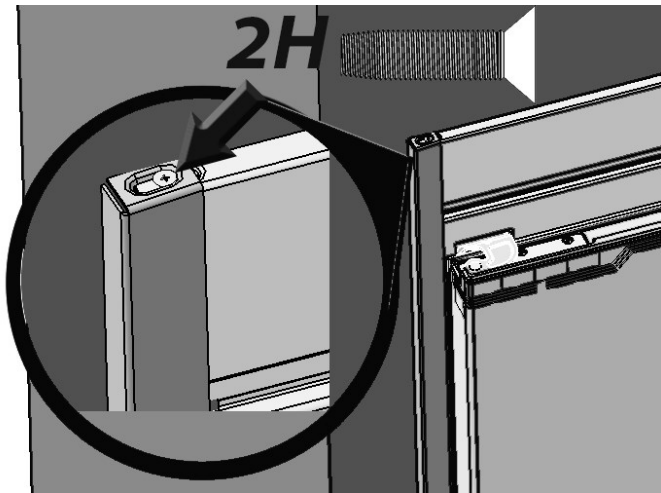


Figure 20

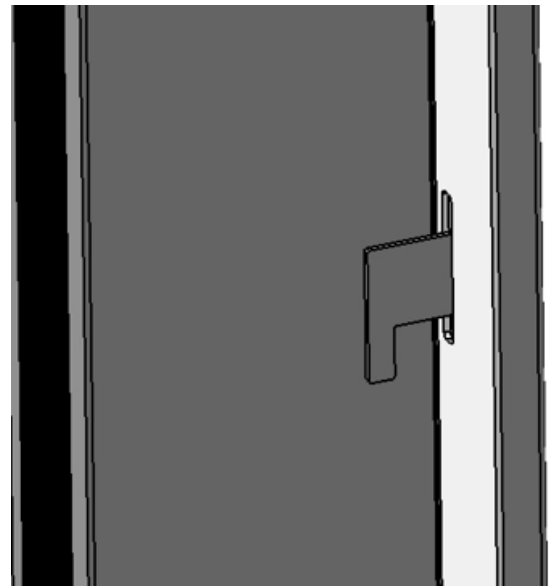


Figure 21

- b. Fasten 2H screws to top trim (See Figure 22) and repeat for right hand side.

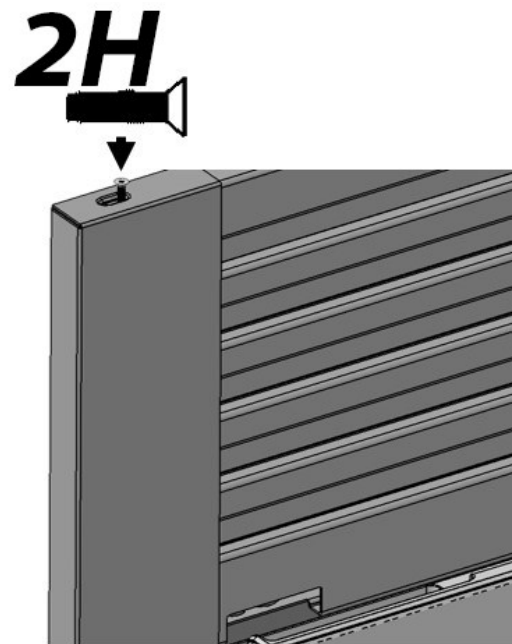


Figure 22

Electrolux TRMKTSS2LV84 Side Trim Installation

16. a. Slide the left Side Trim into place by carefully guiding the Side Trim hooks through the Side Trim Attachment slots. Figure 21 shows an inside view.

17. a. Carefully place the Toe Kick over the four Leveler Assembly Slots. The first Leveler Assembly slot is circled in Figure 23, and the fourth Leveler Assembly slot is circled in Figure 24.
- b. Adjust the Toe kick until the magnets are engaged to the Leveler Assembly bolts and the Toe Kick is resting vertically in place.

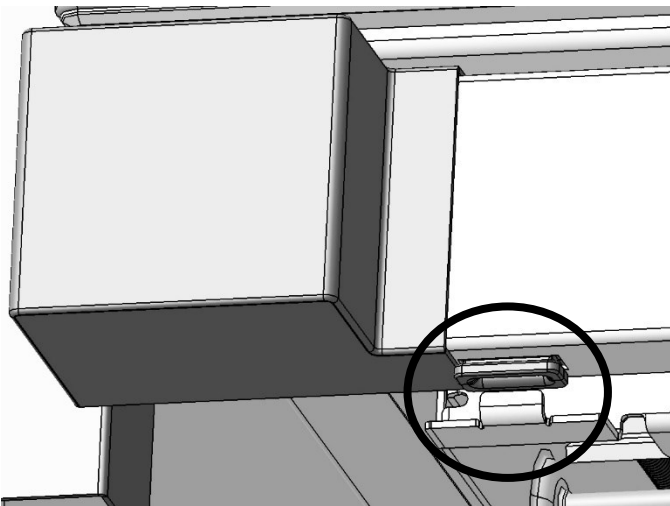


Figure 23

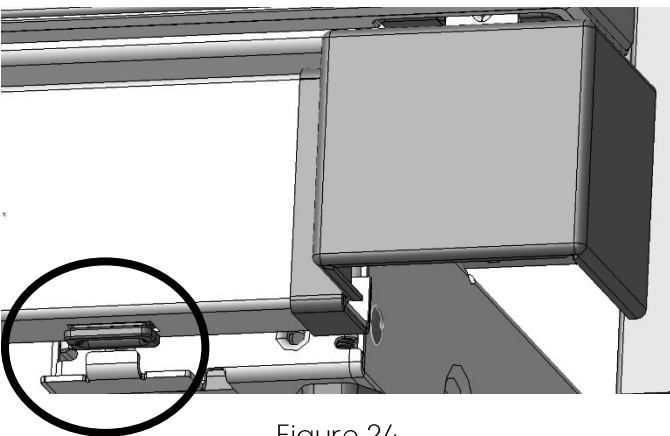


Figure 24

Instructions for Single Installation Trim Kits:

TRMKTEZ1FL79 (Frigidaire)
TRMKTSSILV84 (Electrolux)

Leveling System Installation

1.
 - a. Lay refrigerator or freezer on its back on packaging material or a drop cloth to prevent damage.
 - b. Remove **both** rear leg levelers by unscrewing counterclockwise (Figure 1, left detail).
 - c. Remove **both** front leg levelers by unscrewing the outer peg and two bolts on each front leveler with a 5/16" nut driver. Remove the hinge cover if installed (Figure 1, right detail).

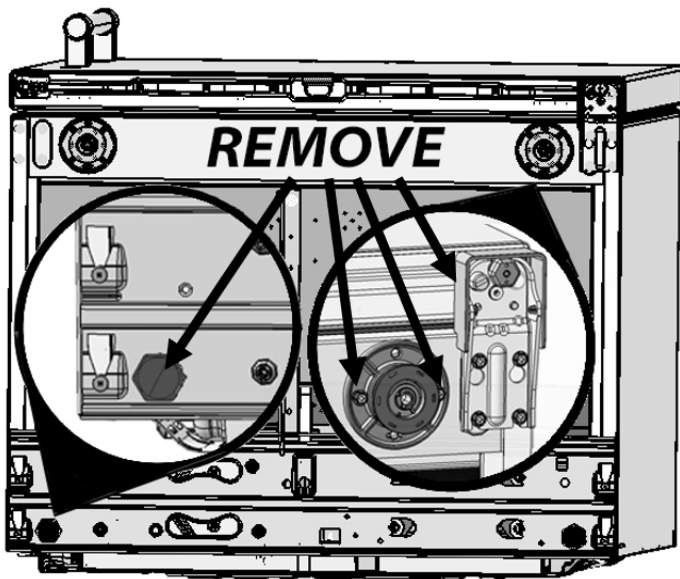


Figure 1

2. Lay the parts out on a cleared area face down. Be sure to place a drop cloth over the floor to prevent scratching trim kit and/or floor. (Figure 2.)

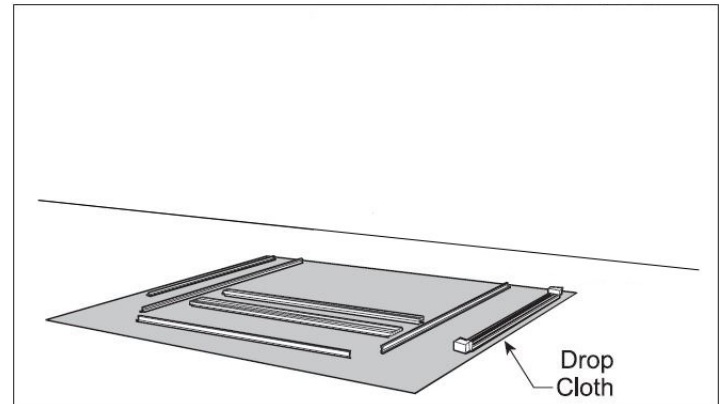


Figure 2

3.
 - a. Fit the first Leveler Assembly onto a refrigerator/freezer as shown in Figure 3:

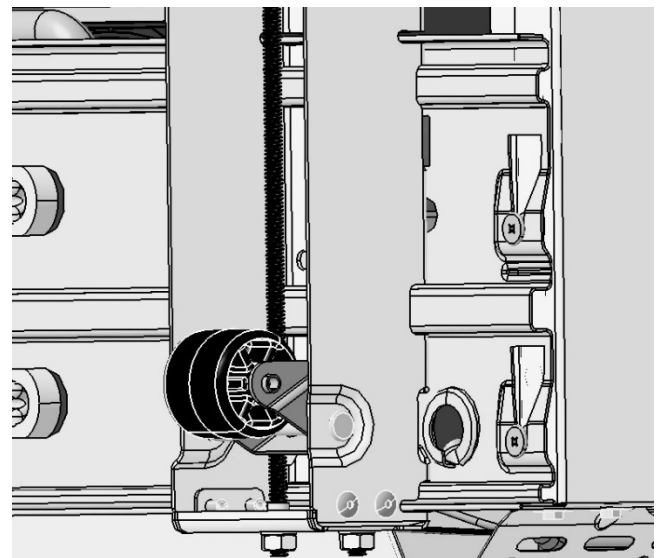


Figure 3

- b. Using the 4H bolts from step 1, fasten the front of the Leveler Assembly to the refrigerator/freezer using a 5/16" Nut Driver (Figure 4). If more fastening space is required, rotate the bolt labeled "F" clockwise (Figure 5) using a flat head screwdriver or a 3/8" socket wrench.

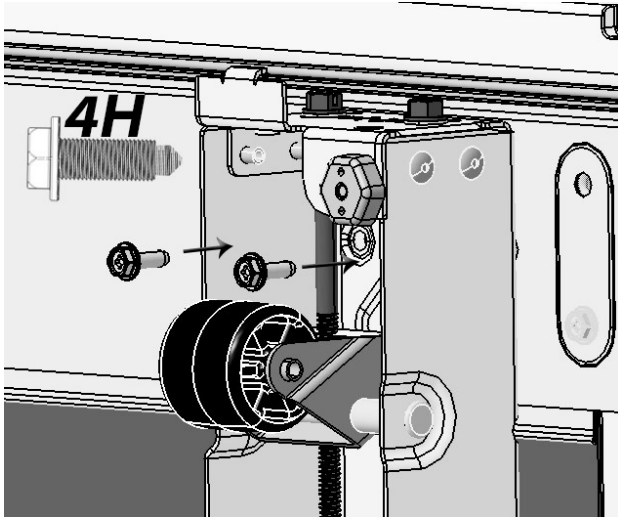


Figure 4

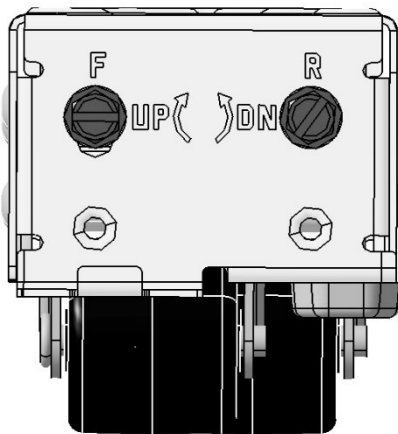


Figure 5

- c. Using a 5H bolt and a power drill, fasten the bottom of the Leveler Assembly with a 3/8" Hex drill bit in whichever hole overlaps the screw hole (Figure 6).

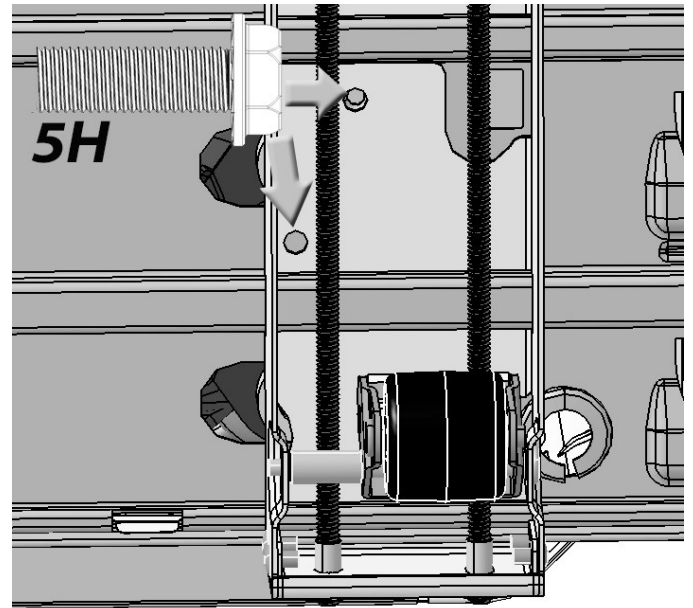


Figure 6

- d. Attach remaining Leveler Assembly as described in the previous 3 steps. With the refrigerator/freezer still on its back, adjust all leveling wheels to approximately the orientation in Figure 7:

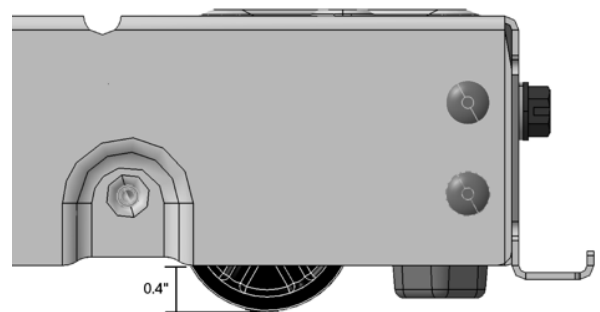


Figure 7

Leveling the Refrigerator or Freezer

4. a. Tilt the refrigerator/freezer upright.
- b. Place the unit into the cabinet space, or as close to the final position as possible. (do not hook up power or water yet). This step is important to accurately level the refrigerator/freezer prior to further installs.
- c. Use a flat head screw driver or a 3/8" socket wrench to adjust the front bolts of the Leveler Assemblies as seen in Figure 5. Raise or lower the front and back wheels as needed until the refrigerator/freezer rests properly in the cabinet space.

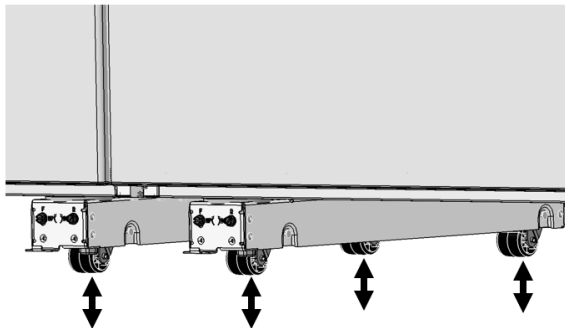


Figure 9

- d. Once the Leveler Assemblies have been checked, roll out the refrigerator/freezer in front of the cabinetry for accessibility.

NOTE:

Some cabinet substrates may require pre-drilling holes using a 1/8" (3mm) diameter drill bit.

Electrolux TRMKTSSILV84 Side Trim Attachment Setup

5. Using eight 3H screws and a power drill, attach the two Side Trim Attachment brackets to the front left and right cabinet cut-out edges with the brackets touching the floor (Figure 15). Ensure that the rectangular slots extend over the cabinet edge.

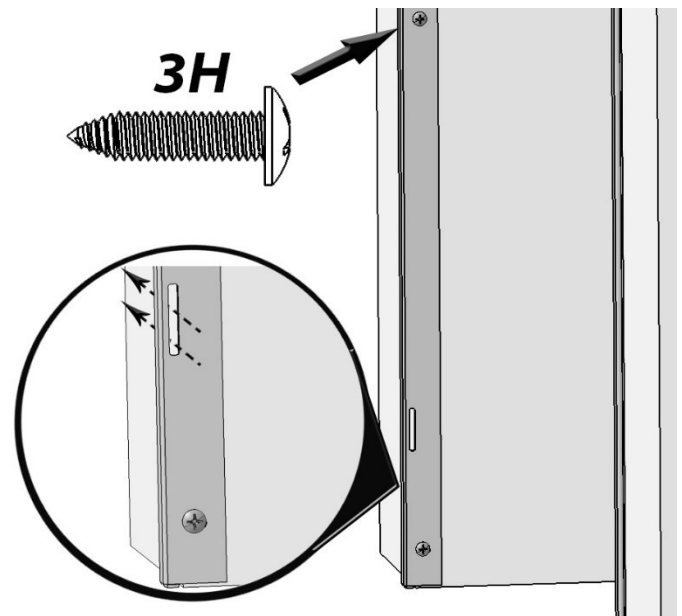


Figure 15

Frigidaire TRMKTEZ1FL79 Side Trim Attachment Setup

6. Depending on which long screw you received (6H or 7H), screw a long screw in the lower left area (Figure 16) of the front cabinet space, approximately in the location described in Figure 17.

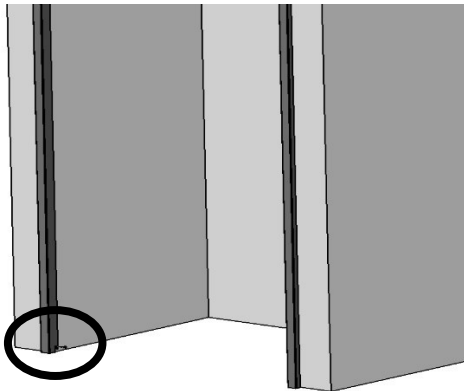


Figure 16

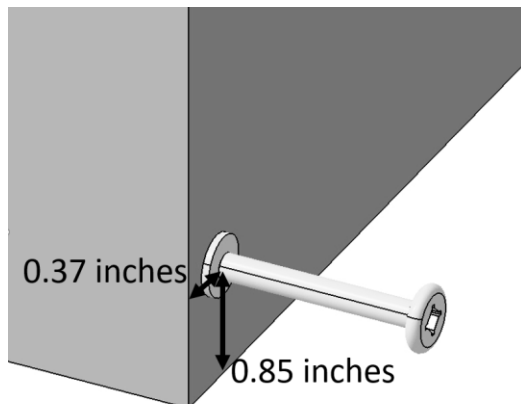
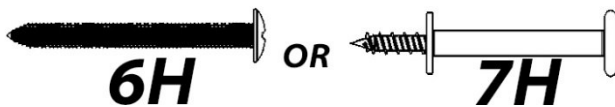


Figure 17

7. Repeat step 11 for the right side of the cabinet using the other 6H/7H screw.

Power and Water Lines

Note: Refer to the Use and Care Manual for power requirements and water supply hook up before proceeding.

Top Trim Attachment

NOTE: Step ladder required for installing top trim components.

8. a. Remove the front outer screw from the top hinge (Figure 26) using a 5/16" socket driver or wrench and save for later. Locate bracket 1H and place it on the top of the unit (Figure 11) to be used on Step 14.

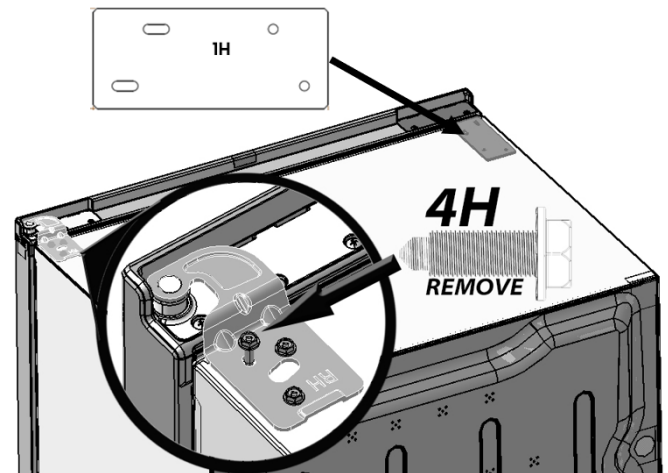


Figure 26

- b. Roll the refrigerator/freezer into the cabinet, roughly 3-quarters of the way in, ensuring the product is centered in the cabinet cutout.

- c. Choose the top trim according to which side the door hinge is on (Figure 27). The other Top Trim is not needed for the installation.



Figure 27

- d. Install top trim by fastening two 4H screws along the base of the trim with a 5/16" socket wrench (Figure 28). Screw through the 1H bracket in part (a) to properly level the Top Trim.

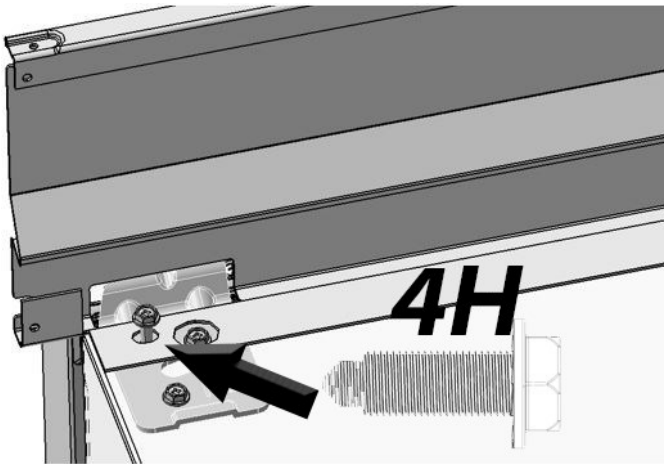


Figure 28

9. a. Slide refrigerator/freezer into place, and double check the dual installation is center.
- b. Drill 1/8" pilot holes and fasten two 3H screws on the right side of the Top Trim with a Phillips driver to cabinets (Figure 19).
- c. Repeat for the left side.

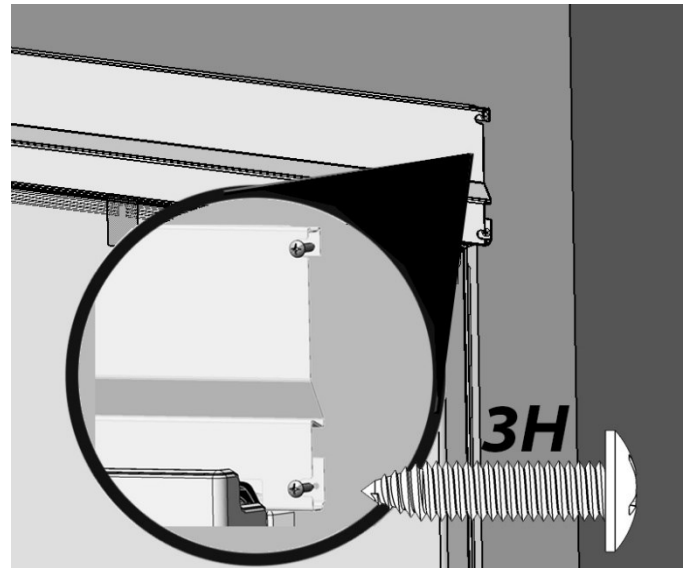


Figure 19

Frigidaire TRMKTEZ1FL79 Side Trim Installation

10. a. Place side trims in position by dropping them over the placement screw as seen in Figure 16 and fitting over the top trim (Figure 20).
- b. Fasten 2H screw to each side of top trim (Figure 20).

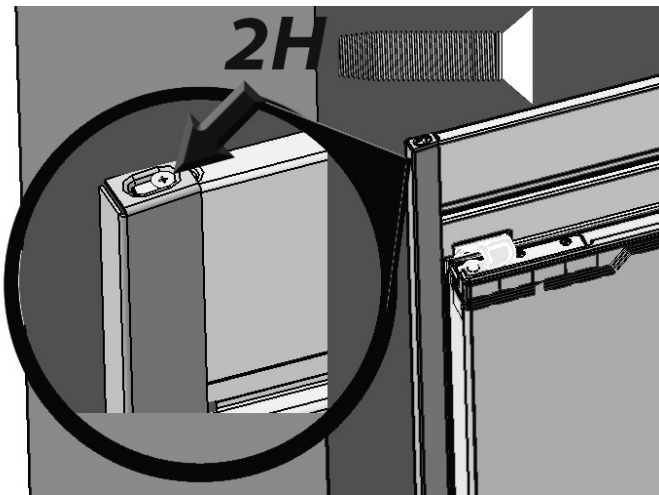


Figure 20

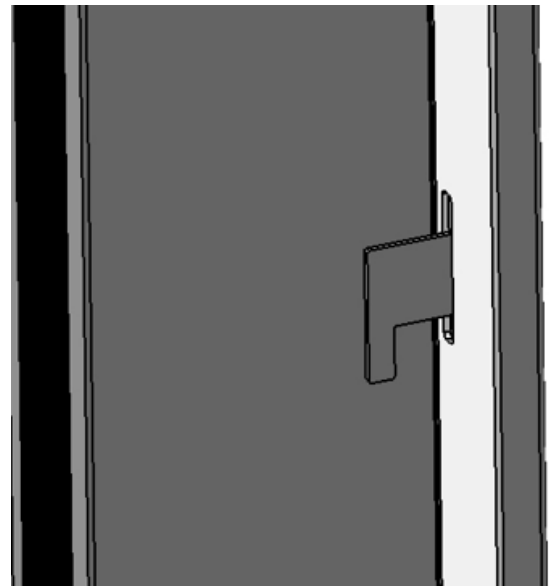


Figure 21

- b. Fasten 2H screws to top trim (See Figure 22) and repeat for right hand side.

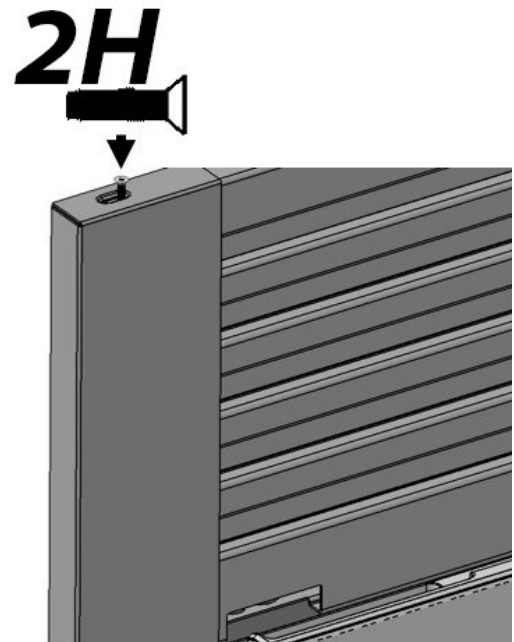


Figure 22

Electrolux TRMKTSS1LV84 Side Trim Installation

11. a. Slide the left Side Trim into place by carefully guiding the Side Trim hooks through the Side Trim Attachment slots. Figure 21 shows an inside view.

12. a. Choose which Toe Kick to place below the unit based on which side the door hinge is on. The other Toe Kick is not needed.

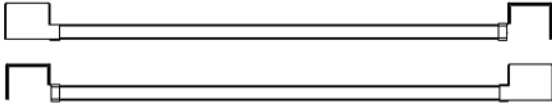


Figure 29

- b. Carefully place the Toe Kick over the two Leveler Assembly Slots. The first Leveler Assembly slot is circled in Figure 23, and the second Leveler Assembly slot is circled in Figure 24.

- c. Adjust the Toe kick until the magnets are engaged to the Leveler Assembly bolts and the Toe Kick is resting vertically in place.

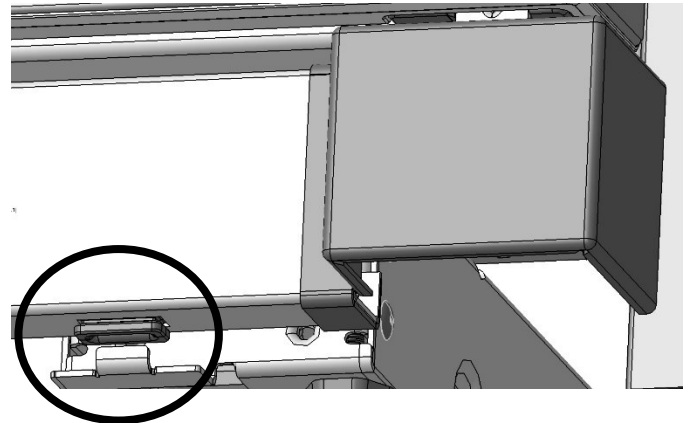


Figure 24

Note: Refer to Use and Care Manual if needed to adjust door height.

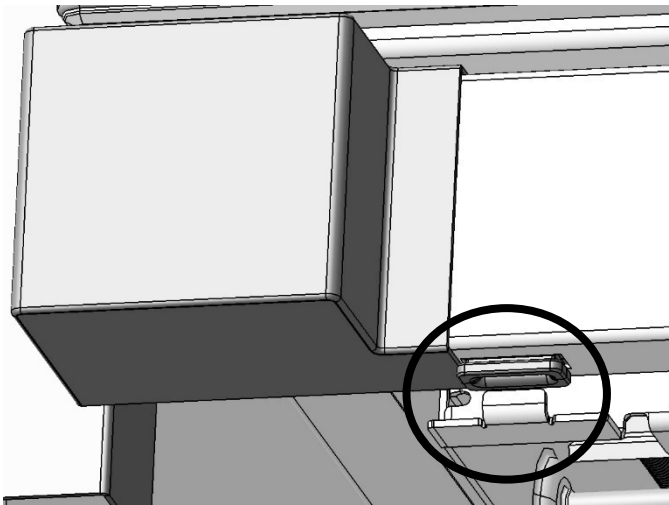


Figure 23