

## 24" BUILT-IN COFFEE MACHINE



CODE ID

MATTEO COFFEE MACHINE - STAINLESS STEEL

**F7MBC24S1**



LED Lighting



Cappuccino/Latte Maker



On-demand Hot Water



Bean Hopper - Adjustable Grinder

### PERFORMANCE

Espresso / Double Espresso  
Coffee / Double Coffee  
Latte  
Cappuccino  
Milk froth  
Warm milk  
Hot water  
Water heating time: 1 minute  
Automatic rinsing cycle

### FEATURES

3 temperature settings  
5 coffee strength settings:  
extra-strong, strong, medium,  
mild, extra-mild  
5 cup size settings: espresso,  
small, medium, large, mug  
Cappuccino  
Steam  
Hot water  
Stand-by (energy saving)

### MAINTENANCE

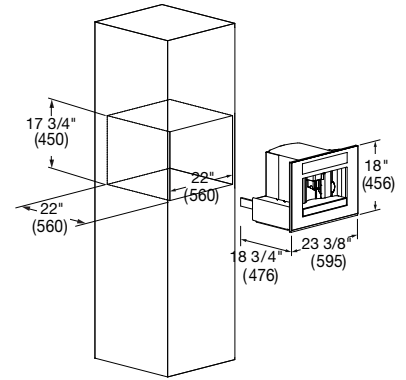
Water hardness setting  
Coffee and water refill indicators  
Empty waste container indicator  
Cleaning indicator  
Descaling indicator

### INCLUDED ACCESSORIES

Container for milk  
Telescopic rails  
Power cord with plug

# 24" BUILT-IN COFFEE MACHINE

MATTEO COFFEE MACHINE



<b>F7MBC24S1</b>		
Type	Coffee machine	
Finish	Stainless Steel	
<b>FEATURES</b>		
Total number of modes	30	
Automatic modes	Coffee, Steam, Hot water	
User Interface	Full touch electronic	
Water tank capacity	60 fl. oz	1.8 L
Bean hopper capacity	7 oz	200 g
Adjustable grinder with 13 settings	•	
Cups of coffee dispensed at a time	1 or 2	
Maximum cup height 3.93 in / 100 mm	•	
Dispenser for steam and hot water	•	
LED lighting	•	
Automatic system rinsing	•	
Auto wakeup	•	
Auto shutoff	•	
Milk container 25 fl.oz - 740 ml	•	
Drip tray	•	
Fill Water Tank warning on the display (Water tank only - cannot be plumbed in)	•	
<b>ELECTRICAL SPECIFICATION (120V, 60 HZ)</b>		
Max rated power (W)	1350 W	
Pump pressure (bar)	15	
<b>SIZE</b>		
Overall dim - width	23 3/8"	(595mm)
Overall dim - height	18"	(456mm)
Overall dim - depth	18 3/4"	(476mm)
Cutout - width	22"	(560mm)
Cutout - height (min)	17 3/4"	(450mm)
Cutout - depth (min)	22"	(560mm)
<b>INSTRUCTION FOR USE</b>		
Use & Care Manual / Installation Manual	EN, SP, FR	