

24" MULTIFUNCTION SELF-CLEANING OVEN



CODE ID

700 SERIES OVEN

F7MSP24S1



PIZZA COOKING MODE 590° F



CREACTIVE COOKING SYSTEM



True Convection



Multi-level cooking



Automatic Cooking



Self-Cleaning Oven



Nickel-free Enamel



Meat Probe



AirFry



Soft Closing

SPECIFICATIONS

OVEN

15 cooking modes
Automatic cooking with preselected and customizable recipes (weight, temperature, cooking time)
Sabbath Mode
BOOST to rapidly reach the pre-selected temperature
PYROLYSIS Self-cleaning
Pizza cooking mode 590° F

SAFETY

Cool door with 4-pane glass
2-speed tangential cooling ventilation
Keypad and door safety lock function
Smoke catalyst
Soft Closing

FEATURES

Control panel with touch controls
Meat Probe
Black Porcelain enameled interior
Internal lighting
Total capacity 66,8 lt
Total capacity 2,36 cu.ft.
AirFry

INCLUDED ACCESSORIES

1 wide enameled tray with anti-splash insert
2 flat grill racks
Power cable
1 wide enameled airfry tray

OPTIONAL ACCESSORIES

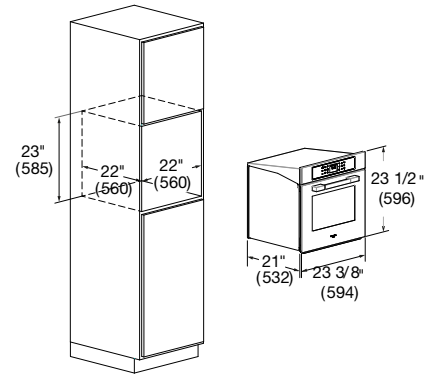
FMTELG 24" Telesc. Guides



This product meets ADA (Americans with Disabilities Act) requirements. Please check with your local municipality's codes and stipulations for additional details to ensure compliance.

MATTEO

24" MULTIFUNCTION SELF-CLEANING OVEN



CODE ID	24" MULTIFUNCTION SELF-CLEANING OVEN F7MSP24S1
Type	PYRO
Size	24"
Colour	STAINLESS STEEL
Oven Type	Multifunction (True Euro Conv.)
Temperature Regulation	Electronic
CONTROL PANEL	
Control type	MODULAR - Electronic
Display	TFT 3,5"
Menu Recipes	•
Commands	Dual Fuel Touch keyboard
Language	6
SPECIAL FEATURES	
Demo Mode	•
Brightness setting (ON condition)	•
Brightness setting (OFF condition)	•
Beeper volume setting	•
Date format	•
Child Door Lock	•
Sabbath mode	•
12/24 hours clock format	•
kg/lb weight unit	•
°C/°F degree unit	•
Door micro switch	•
Pizza cooking mode	590° F (310 °C)
Pyrolytic self cleaning	•
Maximum cooking temperature	590° F (290°C)
Event logs (for Service)	•
OVEN DOOR	
Oven Glass Window	Panoramic Glass
Door Cooling System	4 Pane Heat Resistant Glass
Door Hinges	Steady Tilt (Soft Close)
Handle style	Flat Steel
OVEN CAVITY	
Total Capacity (lt)	66,8
Total Capacity (cu. ft.)	2,36
Cavity Enameling Colour	Black
Rack Positions	5
Oven Lights	1 x 20W Halogen
Broil Upper Heating Element	1200 W (240V)
Upper Heating Element	1000W (240V)
Concealed Bake Lower Heating Element	1100 W (240V)
Convection Element Wattage	2300W (240V)
OVEN ACCESSORIES	
Flat Chromed racks	2
Tray n./type	1/ enameled
Telescopic chromed rack	-
Meat probe	-
AirFry Tray n./type	1/ enameled
DIMENSIONS/WEIGHT - (IN OR LBS)	
Overall dim - width	23 3/8" (594mm)
Overall dim - height	23 1/2" (596mm)
Overall dim - depth	21" (532mm)
Cutout - width	22" (560mm)
Cutout - height (min)	23" (585mm)
Cutout - depth (min)	22" (560mm)
POWER / RATINGS	
KW/Amps rating at 120/240V, 60Hz	3.45kW - 14.3Amps
KW/Amps rating at 120/208V, 60Hz	2.59kW - 12.4Amps
Cable + Conduit	•
INSTRUCTIONS FOR USE	
Instruction Manual	EN, FR, ES