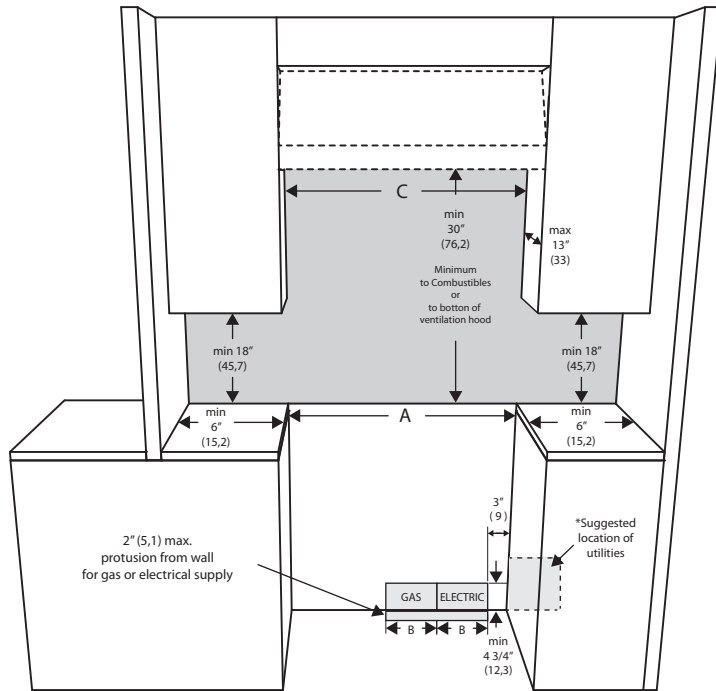


FULGOR MILANO

30" Full Electric Ranges 600 SERIES

Weight & Dimensions



OPENING WIDTH	A & C	B
Range 30"	30" (76,2)	6" (15,2)

SHADE AREA:
The surface of the entire back wall above the range and below the hood must be covered with a noncombustible material.
*Consult local code for exact location requirements.

Clearances to non-combustible materials must conform with local codes or, in the absence of local codes, with the National Fuel Gas Code, ANSI Z223.1/NFPA 54.

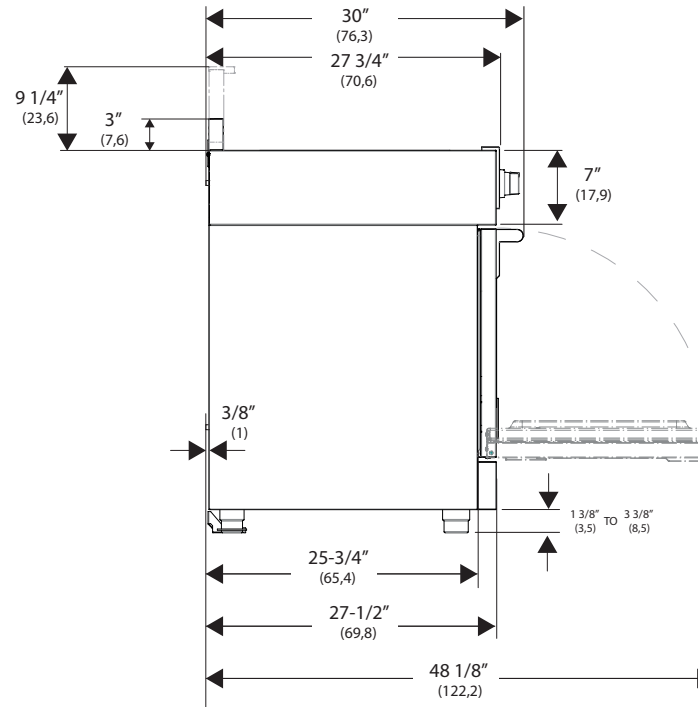
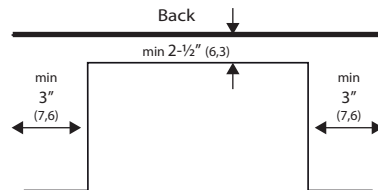
Minimum clearances:

Above cooking surface (above 36" [91.4 cm])

- Sides - 3" (7.6 cm)
- Within 3" (7.6 cm) side clearance, wall cabinets no deeper than 13" (33.0 cm) must be minimum 18" (45.7 cm) above cooking surface
- Wall cabinets directly above product must be a minimum of 30" (76.2 cm) above cooking surface.
- Rear - 0" with 3" (7.6 cm) backguard.

ADDITIONAL CLEARANCES:

For island installation, maintain 2-1/2 in. minimum from cutout to back edge of countertop and 3 in. minimum from cutout to side edges of countertop (see top view).



PACKAGING 30"		lb / inch	Kg / mm
GROSS WEIGHT		291 lb	132 Kg
DIMENSION	W	33"	840
	D	45"3/4	1162
	H	32"1/4	820

