

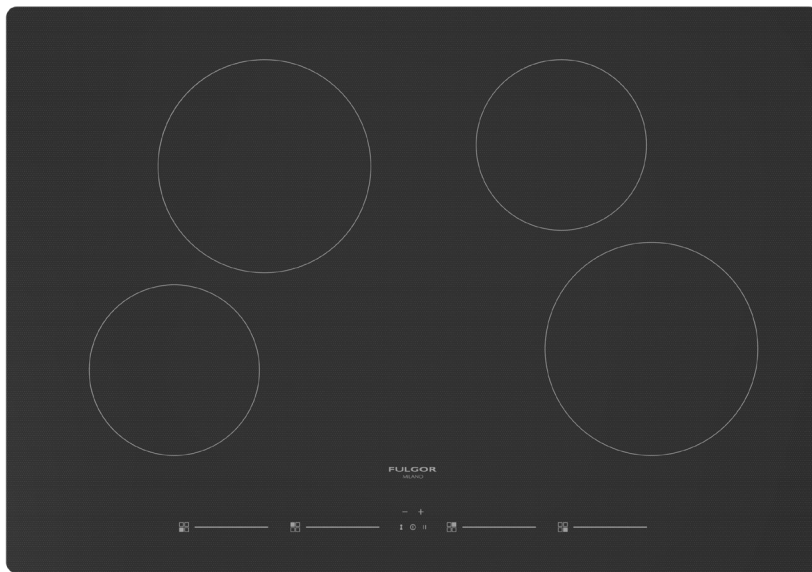
30" INDUCTION COOKTOP

400 SERIES



CODE ID

F4IT30B2



Easy Clean Ceramic Glass



Slide Touch Control



Pan Detection system



Residual Heat Sensor



Digital Minute Minder

INDUCTION COOKTOP

4 Induction cooking zones
Slide touch control for power setting
Elegant Ceramic glass surface
Premium induction technology
for unsurpassed performance
Melt Function
Residual heat and Power on Indicators
Digital Minute Minder

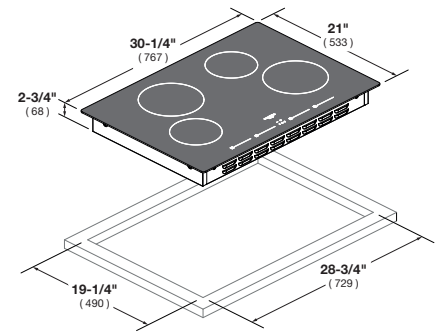
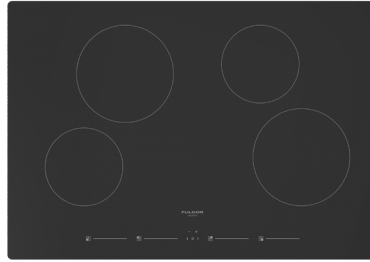
Pot Detection System
Child Lock Function
Independent timer for each zone
Pause function
Booster function for each cooking zone
Failure Codes Indication
Digital Display for Power Level
Automatic Heat-up Time



This product meets ADA (Americans with Disabilities Act) requirements. Please check with your local municipality's codes and stipulations for additional details to ensure compliance.

DISTINTO

30" INDUCTION COOKTOP



CODE ID		30" BUILT-IN INDUCTION COOKTOP F4IT30B2
Size		30"
Colour		Black
Heating Technology		EGO Induction B4 (UL certified)
Glass Type		Glass Ceramic
Control type		Touch
CONTROL FEATURES		
Pot Detection System		Standard
Child lock function		•
Cooling fan system		•
Failure Codes indication		•
Slide touch control for power setting		•
Power levels		1 to 9
Digital display for power level indication (7 segments)		•
Led bar for power level indication		•
Melting Func. 113°F / 45°C (inside the pot 108°F / 42°C) (MELT. led cap)		•
Booster/Fast boil function for each zone		•
Heat up time automatic function for each zone		•
Residual heat indication for each zone (HOT led caps)		•
Minute minder functions for each zone + one general (Led Indicator)		1+4
Key Lock (Led Indicator)		•
Pause/recall (Led Indicator)		•
General ON/OFF Key (Led Indicator)		•
Dedicated ON/OFF Key for each zone		•
Acoustic buzzer		•
ZONE 1		Front Right Zone
Size		7" 7/8 (200mm)
Power L9		2300W
Booster		3000W
ZONE 2		Front Left Zone
Size		6" 1/4 (160mm)
Power L9		1400W
Booster		2100W
ZONE 3		Rear Left Zone
Size		7" 7/8 (200mm)
Power L9		2300W
Booster		3000W
ZONE 4		Rear Right Zone
Size		6" 1/4 (160mm)
Power L9		1400W
Booster		2100W
DIMENSIONS/WEIGHT - (IN OR LBS)		
Overall dim - width		30" 1/4 (767mm)
Overall dim - depth		21" (533mm)
Overall dim - height (without Conduit)		2" 7/8 (73mm)
Cutout - width (min - max)		min. 28-11/16" (729 mm) - max 28 15/16" (735 mm)
Box - height		2" 3/4" (68mm) + conduit 1" 1/8 (30mm)
Cutout - depth (min - max)		min. 19-1/4" (490 mm) - max 19 9/16" (497 mm)
Approx ship weight		35lb (16Kg)
POWER / RATINGS (208/240 V, 60 HZ)		
KW/Amps rating at 240V, 60Hz		7.40kW - 31Amps
KW/Amps rating at 208V, 60Hz		6.40kW - 31Amps
Cable + Conduit		•
INSTRUCTIONS FOR USE		
Use & Care Manual		EN, SP, FR
Installation Manual		EN, SP, FR