

SOFIA PROFESSIONAL 30"





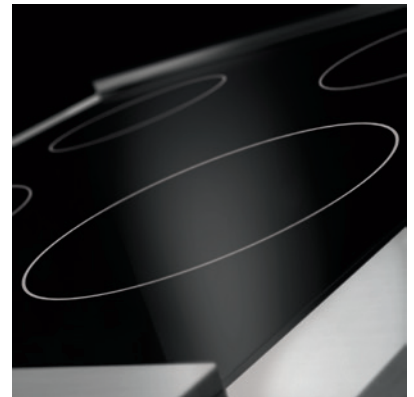
CODE ID

30" PROFESSIONAL INDUCTION RANGE TOP

F6IRT304S1



-  Easy Clean Ceramic Glass
-  Power Boost Burner
-  Pan Detection system
-  Digital Controls
-  Residual Heat Sensor
-  Warming Function



INDUCTION RANGE TOP

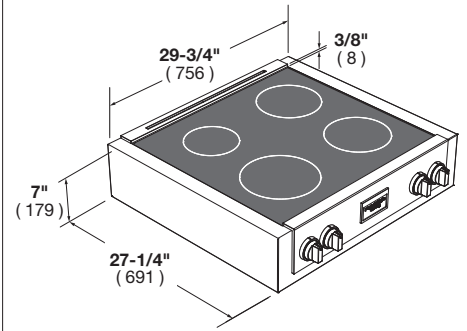
4 Single Induction cooking zones
Elegant Ceramic glass surface
Premium induction technology for unsurpassed performance
Booster function for each cooking zone
Residual heat and Power on Indicators
Melting and Simmering functions
Pot Detection System
Child Lock Function
Failure Codes Indication
Digital Display for Power Level
Automatic Heat-up Time

OPTIONAL ACCESSORIES

F6BG30BCI Island trim
F6BG30STD Standard trim
F6BG30HBT High back trim
INDUKIT4 Induction plate adapters

SOFIA

30" PROFESSIONAL INDUCTION RANGE TOP



CODE ID	F6IRT304S1 - 30" PROFESSIONAL INDUCTION RANGE TOP			
Series and Finish	600 Series - Professional Design - Stainless Steel			
CONTROL PANEL				
Control Type	4 Heavy Duty Knobs			
COOKTOP				
Type	INDUCTION			
Cooking Surface	Ceramic Glass			
INDUCTION COOKTOP FEATURES				
Pot Detection System	•			
Child Lock Function	•			
Failure Codes Indication	•			
Knob for Power Setting (illuminated)	•			
Power Levels	1 to 9			
Digital Display for Power Level	Optional			
Melting Function 113°F / 45°C	2			
Warming Function 158°F / 70°C	4			
Booster/Fast Boil Function for Each Zone	•			
Automatic Heat-up Time	•			
Residual Heat Indication	•			
Cooking Zones	4			
Burners types (Front-L) - Power (Max/Booster)	Inductor	9"	(230 mm)	2300W / 3700W
Burners types (Rear-L) - Power (Max/Booster)	Inductor	6 - 1/2"	(165 mm)	1400W / 2200W
Burners types (Front/Rear-R) Power (Max/Booster)	Inductor	7 - 3/4"	(200 mm)	1850W / 3000W
DIMENSIONS/WEIGHT				
Overall dim - Width	29 - 3/4"			(758 mm)
Overall dim - Height	7"			(179 mm)
Overall dim - Depth	29 - 3/4"			(756 mm)
Cut-out - Width	30"			(762 mm)
Cut-out - Height (min)	7"			(179 mm)
Cut-out - Depth (min - max)	24", 25 - 3/8"			(610 mm) - (644 mm)
Gross Weight	100 lbs			(45 kg)
POWER / RATINGS (120 V, 60 HZ)				
kW / Amps rating at 240V, 60Hz	7.2 kW - 30A			
Power Cable	Conduit			
INSTRUCTIONS FOR USE				
Use & Care Manual / Installation Manual	English / French / Spanish			