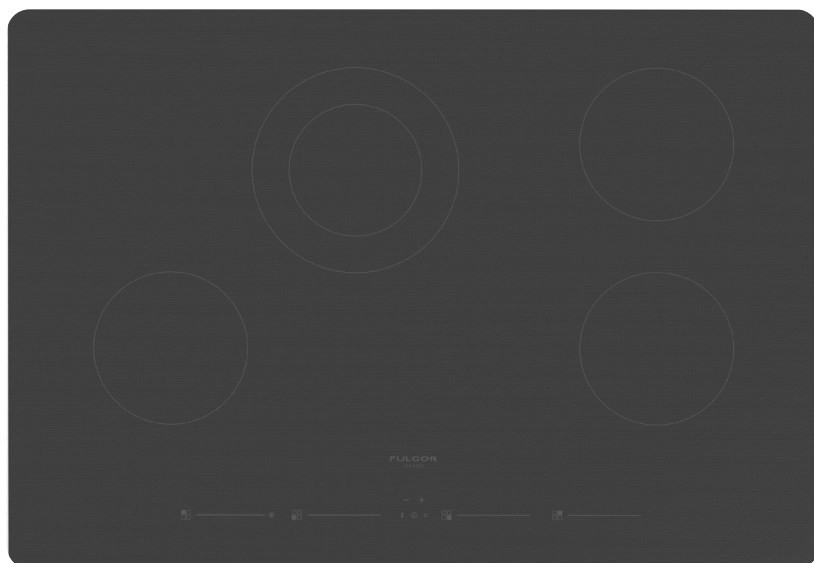


# 30" VETROCERAMIC COOKTOP

700 SERIES

CODE ID

**F7RT30B1**



Easy Clean Ceramic Glass



Slide Touch Control



Residual Heat Sensor



Digital Minute Minder

## VETROCERAMIC COOKTOP

4 Vetroceramic cooking zones  
Slide touch control for power setting  
Elegant Ceramic glass surface  
Melt Function  
Residual heat and Power on Indicators  
Digital Minute Minder

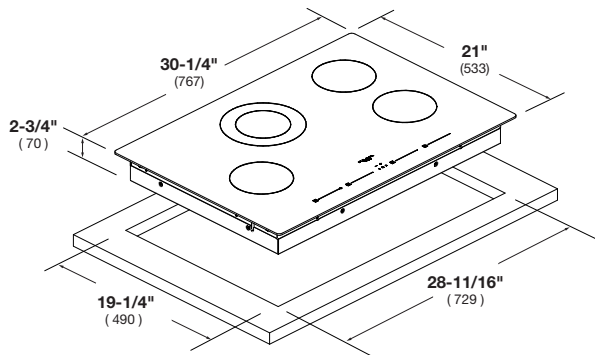
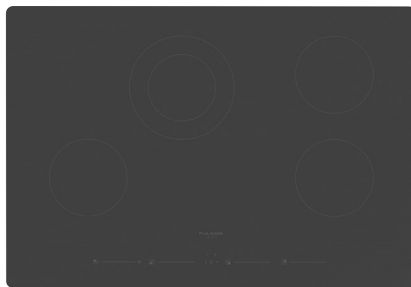
Child Lock Function  
Independent timer for each zone  
Pause function  
Failure Codes Indication  
Digital Display for Power Level  
Automatic Heat-up Time



This product meets ADA (Americans with Disabilities Act) requirements. Please check with your local municipality's codes and stipulations for additional details to ensure compliance.

# 30" VETROCERAMIC COOKTOP

700 SERIES



30" BUILT-IN VETROCERAMIC COOKTOP F7RT30B1	
<b>CODE ID</b>	
Size	30"
Colour	Black
Heating Technology	Radiant Heaters
Glass Type	Glass Ceramic
Control type	Touch TC FLEX
<b>CONTROL FEATURES</b>	
Slide touch control for power setting	•
Power levels	1 to 9
Digital display for power level indication (7 segments)	•
Led bar for power level indication	•
Melting Function (Led Indicator)	•
Residual heat indication for each zone (HOT)	•
Minute minder functions for each zone + one general (Led Indicator)	1+4
Key Lock (Led Indicator)	•
Pause/recall (Led Indicator)	•
General ON/OFF Key (Led Indicator)	•
Dedicated ON/OFF Key for each zone	•
Acoustic buzzer	•
<b>SINGLE ZONE 1</b>	
	<b>Front Right Zone</b>
Size	5" 3/4 (145mm)
Power	1200W
<b>SINGLE ZONE 2</b>	
	<b>Front Left Zone</b>
Size	5" 3/4 (145mm)
Power	1200W
<b>SINGLE ZONE 3</b>	
	<b>Rear Left Zone</b>
Size	7-5/8" / 4-7/8" (195/125mm)
Power L9	1900W (1100+800W)
<b>SINGLE ZONE 4</b>	
	<b>Rear Right Zone</b>
Size	5" 3/4 (145mm)
Power L9	1200W
<b>DIMENSIONS/WEIGHT - (IN OR LBS)</b>	
Overall dim - width	30 1/4" (767mm)
Overall dim - depth	21" (533mm)
Overall dim - height (without Conduit)	3" (75mm)
Cutout - width (min - max)	min. 28-11/16" (729 mm) - max 28 15/16" (735 mm)
Box - height	2 3/4" (70mm)+ conduit 1" 1/8 (30mm)
Cutout - depth (min - max)	min. 19-1/4" (490 mm) - max 19 9/16" (497 mm)
Approx ship weight	33lb (15Kg)
<b>POWER / RATINGS (208/240 V, 60 HZ)</b>	
KW/Amps rating at 240V, 60Hz	5.50kW - 22.9 Amps
KW/Amps rating at 208V, 60Hz	4.10kW - 19.7Amps
Cable + Conduit	•
<b>INSTRUCTIONS FOR USE</b>	
Use & Care Manual	EN, SP, FR
Installation Manual	EN, SP, FR