



F4DWD24**
F4MWD24**

WARMING DRAWER

TIROIR CHAUFFE-PLAT

**CAJÓN CALIENTA
ALIMENTOS**

EN INSTRUCTIONS FOR INSTALLATION AND USE

FR INSTRUCTIONS POUR L'INSTALLATION ET L'UTILISATION

ES INSTRUCCIONES PARA LA INSTALACIÓN Y USO

Dear Customer,

we would like to thank you and congratulate you on your choice.

This new product has been carefully designed and built using top quality materials, and meticulously tested to ensure that it meets all your culinary requirements.

Please read and observe these simple instructions, which will enable you to achieve excellent results from the very first time you use it.

This state-of-the-art appliance comes to you with our very best wishes.

The Manufacturer

TABLE OF CONTENTS	PAGE
Precautions	2
Instructions for recycling - protection of the environment	2
Opening of the the push to open drawer	3
Before you Begin	3
Heating System	3
Warming Drawer	4
Operation	4
Heating Time	4
Defrosting	4
Leavening	4
Food warmer	4
Slow cooking	5
Warnings for slow cooking	5
Cleaning and Maintenance	6
Front and panel commands	6
Inside space	6

TABLE OF CONTENTS	PAGE
Troubleshooting	6
Appliance installation	6
Tools you will need	7
Packaging	7
Power requirements	7
Choosing drawer location	7
Steps for installation	7
Technical data	8
Installation notes	8
Electrical Requirements	9
General Information	9
Electrical Connection	9
Installation procedure	10

**CONSUMER INSTRUCTIONS:**

Includes recommendations for use, description of commands and correct procedures for the care and clearing of the appliance.

**INSTALLATION INSTRUCTIONS:**

Use intended for qualified technicians.

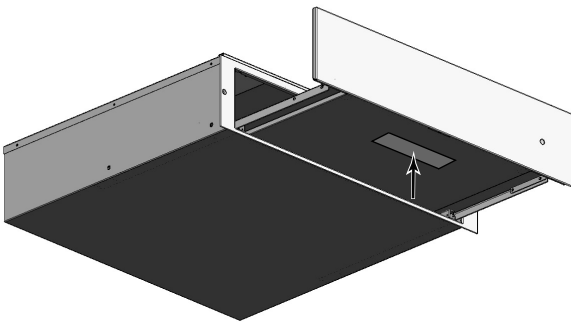
Precautions

This guide is an integral part of the appliance. Keep these instructions with you during use of your warming drawer. Read these instructions before installing and using the appliance. Installation should be performed by qualified personnel only, in conformity with current law. This appliance is intended for domestic use only in conformity with current EEC directives. The manufacturer will not be held liable in the event of a failure to follow THESE WARNINGS AND SAFETY INSTRUCTIONS. KEEP THESE INSTRUCTIONS WITH THE APPLIANCE. IF THE APPLIANCE SHOULD BE GIVEN TO ANOTHER PERSON MAKE SURE THESE INSTRUCTIONS ARE SUPPLIED WITH IT.

DO NOT OBSTRUCT THE OPENINGS AND FIXTURES INTENDED FOR HEAT CIRCULATION.

THE LABELS LOCATED ON THE APPLIANCE WHICH SHOW THE SERIAL NUMBER AND MODEL ARE FOUND ON THE HEATING BLOCK. Never remove the data label.

LOCATION OF RATING PLATE



WARNING

NEVER USE SHARP METAL OBJECTS OR ABRASIVE SCRUBBING PADS THAT COULD CAUSE DAMAGE TO THE SURFACE OF THE APPLIANCE. IF NECESSARY, USE STANDARD NON-ABRASIVE UTENSILS MADE OF WOOD OR PLASTIC.

Instructions for recycling - protection of the environment

Our products are made solely from non-polluting materials that do not harm the environment and are recyclable. We ask for your effort and collaboration in disposing of the packaging in a proper manner. Contact the product retailer or local organizations for further information on recycling. Dispose of the packaging properly. Parts of the package especially plastic, pose a risk for children. Your old appliance must also be disposed of properly.



IMPORTANT

Consign the appliance to the proper local organization authorized to collect broken appliances. Proper and intelligent disposal consists of recovering materials of value.

Remove the plugs or electrical cords of appliances that are no longer being used so that they no longer pose a threat to children.



IMPORTANT SAFEGUARDS

When using electrical appliances, basic safety precautions should always be followed including the following:

1. Read all instructions.
2. Do not touch hot surfaces. Use handles or knobs.
3. To protect against electrical shock do not immerse cord, plugs, in water or other liquid.
4. Close supervision is necessary when any appliance is used by or near children.
5. Unplug from outlet when not in use and before cleaning. Allow to cool before putting on or taking off parts.
6. Do not operate any appliance with a damaged cord or plug or after the appliance malfunctions or has been damaged in any manner. Return appliance to the nearest authorized service facility for examination, repair, or adjustment.
7. The use of accessory attachments not recommended by the appliance manufacturer may cause injuries.
8. Do not use outdoors.
9. Do not let cord hang over edge of table or counter, or touch hot surfaces.
10. Do not place on or near a hot gas or electric burner, or in a heated oven.
11. Extreme caution must be used when moving an appliance containing hot oil or other hot liquids.
12. Always attach plug to appliance first, then plug cord into the wall outlet. To disconnect, turn any control to "off", then remove plug from wall outlet.
13. Do not use appliance for other than intended use.

14. The inside of the appliance can reach temperatures of 170 F (77 C) depending on the selected temperature and the time of operation. If necessary use gloves to remove things from the drawer.
 15. Do not lean or sit on the warming drawer when opened, this could cause damage to the telescopic guide. The maximum carrying weight of the warming drawer is 22 lbs. (10 kg).
 16. Do not keep plastic containers or any flammable objects in the appliance. Such objects pose a risk of catching fire once the warming drawer is turned on.
17. **Save these Instructions.**

CLEANING:

- Never use a vacuum cleaner. The vacuum could create pressure on the components causing a short circuit. The vacuum may also damage the surface and the components of the appliance: damages for which the manufacturer will not be liable.
- For cleaning the appliance we recommend following the suggestions listed under "Cleaning and Maintenance" of the manual.



ATTENTION

REPAIRS:

Maintenance work and/or repairs must be performed exclusively by specialized personnel. Incorrect installation and maintenance can cause personal injury to the consumer for which the manufacturer will not be liable.

During the warranty period, the appliance may only be serviced by technicians authorized by the manufacturer or the warranty will be void.

Before beginning maintenance, installation, or repair work disconnect the appliance from the electrical outlet. The appliance is disconnected only if:

- The electrical fuse is disconnected.
- The cord of the appliance is disconnected from the electrical outlet – to disconnect the appliance from the outlet pull the cord away from the outlet, manually disconnect the cord. The manufacturer will not be liable for damage caused by a failure to follow current regulations or the use of non-original replacement parts.

CONSUMER INSTRUCTIONS:



Opening of the the push to open drawer

- To open the drawer press the front of the drawer
- Grasp the drawer pull it towards you until it is opened completely.

Closing the drawer

- To close the drawer, gently push the drawer back, pushing the front until it has completely gone back.

Before you Begin

Do not leave parts of the packaging in the home. Separate the remaining packaging materials by category and deliver them to your nearest recycling center.

Before using the appliance for the first time, gently clean it with a moist cloth and dry it completely as described under "Cleaning and Maintenance".

Heat the warming drawer for at least two hours. Once heated, set the temperature to 170 F (77 C). Be sure that the kitchen is kept well ventilated during the heating period.

The metal parts have been specially treated with a protective coating that can sometimes cause odors the first time the drawer is heated. These odors will quickly dissipate and should not be considered a defect of the appliance.

Heating System

The appliance is equipped with a hot air ventilating system. A fan distributes in an optimal way towards the internal space of the warming drawer.

The thermostat allows the user to control and set the appliance at the desired temperature.

The circulation of the air heats the drawer in a rapid and uniform way.

With the protective measures in place it is not possible to accidentally touch the heating element or the fan.

Warming Drawer

Operation

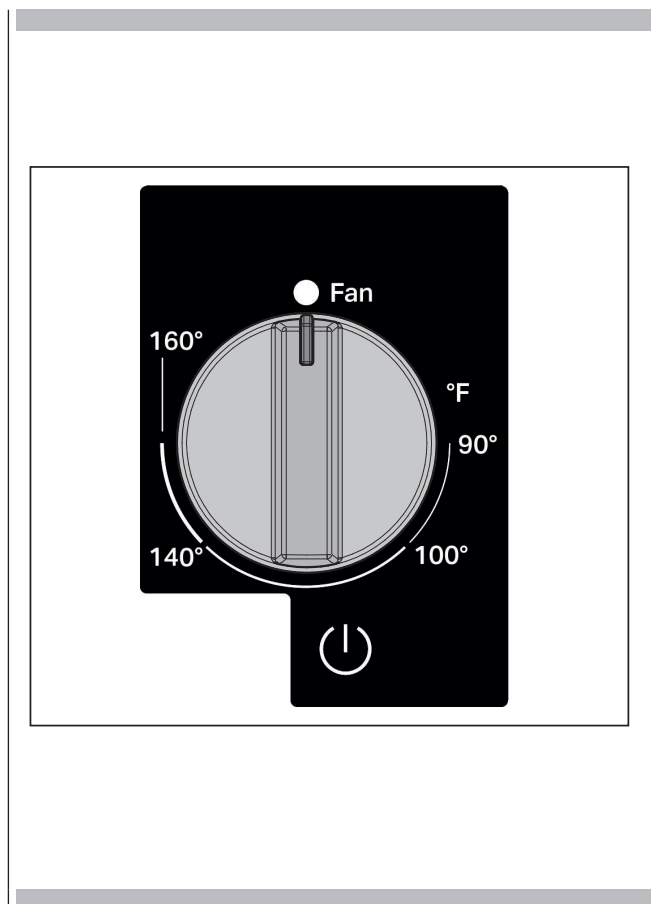
Open the drawer. Turn the handle in order to set the desired temperature and then press the red button. A red light will turn on and will remain on throughout use. To turn off the appliance, turn the handle to the 0 position and then press the button. The red light will turn off.

Heating Time

Different factors influence the time in which it takes to heat up:

- Thickness and material of the drawer;
- Number of drawers loaded;
- The arrangement of the loaded drawers;
- The desired temperate set.

So, there is no general rule. To set the temperature above 60 C in order to have a stable temperature, follow these suggestions:



DISHES	TIME (MIN)
DISHES FOR 6 PERSONS	30-35

You can also use your own experience in determining the optimal temperature setting for your needs.

Defrosting

The defrosting function only uses forced ventilation without any active heating element.

Procedure

- Press the ON / OFF button to activate the indoor fan.
- Turn the knob to the defrost setting.

Leavening

The leavening function maintains the drawer temperature between 77 F (25 C) and 90 F (30 C).

Procedure

1. Preheat the drawer for 5 minutes by turning the knob to 90 F (30 C).
2. Place the dough, wrapped in a slightly damp cloth, in the middle of the drawer.

Food warmer

Food recommended for warming: meat, chicken, fish, sauces, vegetables, side dishes and soups.

- To stop the food spilling over into the drawer, do not overfill the dishes.
- Arrange the dishes in the drawer and close it carefully so that any liquids do not spill.
- It is advisable not to warm food for more than an hour to prevent it from losing nutritional value.
- Cover moist food and liquids with a lid or heat-resistant cling film. This will prevent the moisture from escaping, condensation from forming and moisture settling on the outside the dishes.
- Do not cover roast or fried dishes which need to stay crisp. Keep these dishes hot at high temperatures.

Procedure

1. Place the dishes in the drawer.
2. Switch the drawer on and turn the thermostat knob to between 100 F (40 C) and 140 F (60 C), depending on the temperature required, and preheat the drawer for 10 minutes.
3. Put the food in the preheated dishes.
4. Close the drawer again. The ON indicator light stays lit and the drawer heats up.

Switching off

Turn the knob to OFF. Take the dishes out of the drawer using a cloth or oven gloves.

NOTE: Never transfer hot dishes directly from the hot stove top to the glass base of the heating drawer. This could damage the glass drawer base.

Slow cooking

Slow cooking is ideal for cooking tender meat which needs to be medium rare or rare. This cooking method means the meat will always be pink inside. This does not, however, mean that the meat is raw or undercooked.

This cooking method not only keeps the juices inside, but it also makes it easy to keep the meat hot.

Suitable dishes to use: glass, porcelain or ceramic with a lid.

Procedure

1. Preheat the warming drawer with the chosen dish to the maximum temperature for 15 minutes.
2. Heat some butter or oil in a pan. Brown the meat well for the time indicated in the table, then place it immediately in the preheated pan and cover with the lid.
3. Set the thermostat to 140 F (60 C) for the time required to finish the cooking.

Warnings for slow cooking

Only use fresh meat in perfect condition.

- Trim off any excess fat.
- The pieces of meat do not necessarily have to be turned.
- Once cooked, the meat can be carved immediately; it does not have to rest.
- Meat that is slow cooked is not as hot as meat cooked in the traditional way, so it is advisable to put the plates in the warming drawer on the left-hand side for the last 20-30 minutes as well.
- Serve the meat with piping hot sauces.
- If you want to keep the meat hot after cooking, turn the thermostat knob to between 100 F (40 C) and 140 F (60 C). The smaller pieces of meat can be kept hot for 45 minutes and the larger pieces for two hours.

Table

Slow cooking is suitable for all tender cuts of beef, pork, veal, lamb, game and poultry. The initial browning times and the subsequent cooking times depend on the size of the slices of meat.

The time parameters refer to meat placed in a pan with preheated butter or oil.

DISH	INITIAL BROWNING	COOKING IN DRAWER
Small slices of meat		
Strips	about 1 - 2 minutes	20 - 30 minutes
Small steaks or medallions	about 1 - 2 minutes per side	35 - 50 minutes
Medium size slices of meat		
Tenderloin 0.80-1.75lbs (400-800g)	about 4 - 5 minutes per side	75 - 120 minutes
Lean roast 1.30-2.20lbs (600-1000g)	about 10 - 15 minutes per side	120 - 180 minutes
Large slices of meat		
Tenderloin from 2.00lbs (900g)	about 6 - 8 minutes per side	120 - 180 minutes
Roast beef 2.20-2.65lbs (1000-1200g)	about 8 - 10 minutes per side	210 - 300 minutes

Cleaning and Maintenance

Generally speaking, cleaning is the only form of maintenance necessary.

ATTENTION

Before you begin cleaning, disconnect the appliance from the outlet. Disconnect the cord from the outlet and turn off the appliance.

WARNING

Do not use harsh detergents or abrasive products and/or scrubbing pads and sponges and sharp objects as they can stain and damage the appearance of the appliance.

Never use a vacuum cleaner on the internal parts of the appliance.

Front and panel commands

The use of a moist cloth is sufficient when cleaning the appliance. In the event the appliance requires further cleaning, add drops of detergent in the water. Dry the appliance with a dry cloth. The steel front of the appliance can be cleaned with products specifically designed for steel. Such products prevent the formation of dirt on the surface of the drawer. Apply a minimal amount of the product on a soft and apply it to the surface of the appliance.

Inside space

To clean the inside space use a moist cloth. In the event the appliance requires further cleaning add drops of detergent to the water. Dry the surface with a dry cloth. Make sure to avoid water draining into the ventilation holes. Only use the appliance after the drawers are dry completely.

Troubleshooting

ATTENTION

Repairs must only be performed by specialized and qualified personnel. Any repair work not performed by professional personnel may cause damage to the appliance for which the manufacturer will not be liable. The following problems can be fixed by the consumer without the assistance of the Service Department.

The drawer is not hot enough. Make sure that:

- The appliance is turned on;
- The correct temperature has been set;
- The opening of the ventilation fan is not blocked by plates or other large obstructions;
- The drawers have had sufficient time to heat up.

The drawer is not hot at all. Make sure that:

- You hear the fan running;
- If the fan is turned on this means that the heating system is working;
- If the fan does not work this means it is defective;
- The circuit fuse is blown.

INSTALLATION INSTRUCTIONS:



Appliance installation

IMPORTANT: Save these instructions for the local electrical inspector use.

INSTALLER: Please leave this manual with owner for future reference.

OWNER: Please keep this manual for future reference.

WARNING

If the information in this manual is not followed exactly, a fire or explosion may result causing property damage, personal injury or death.

Please read these instructions **COMPLETELY AND CAREFULLY**. They will save you time and effort and help to ensure optimum drawer performance.

Be sure to observe all **WARNINGS**. These installation instructions are intended for use by a qualified installer.

- Assure that electrical installation is adequate and in conformance with National Electrical Code, ANSI/NFPA 70 - latest edition**, or Canadian Electrical Code, part 1 C22.1 (latest edition)*** and all local codes and ordinances.

These shall be carefully followed at all times.

Tools you will need

The following tools are needed to install your new warming drawer:

- Tape measure and straightedge or ruler
- Pencil
- Phillips screwdriver
- Level
- Wire cutters and wire stripper
- Hand or saber saw
- 1" (2,5cm) Hole saw
- Drill and drill bit
- Safety gloves and goggles
- Volt meter (0-250VAC)

Packaging

Remove all tape and packaging before using the warming drawer.

Destroy the packaging after unpacking the drawer following the rules in force in your town. Never allow children to play with packaging material.

Power requirements

The warming drawer must be supplied with the proper voltage and frequency. The drawer is manufactured to be connected to a three-wire, single phase, 120 Volt, 60 Hz AC electrical supply.

Choosing drawer location

Carefully select the location where the warming drawer will be placed.

It should be located for convenient use in the kitchen.

Make sure that electrical power can be provided to the location selected.

Steps for installation

The following pages provide the necessary information for proper installation of the appliance and are arranged as follows:

- Technical Data
- Installation Cutout Dimensions, Required Clearances and Mounting instructions
- Electrical Supply and Wiring Requirements
- Final Checklist

Technical data

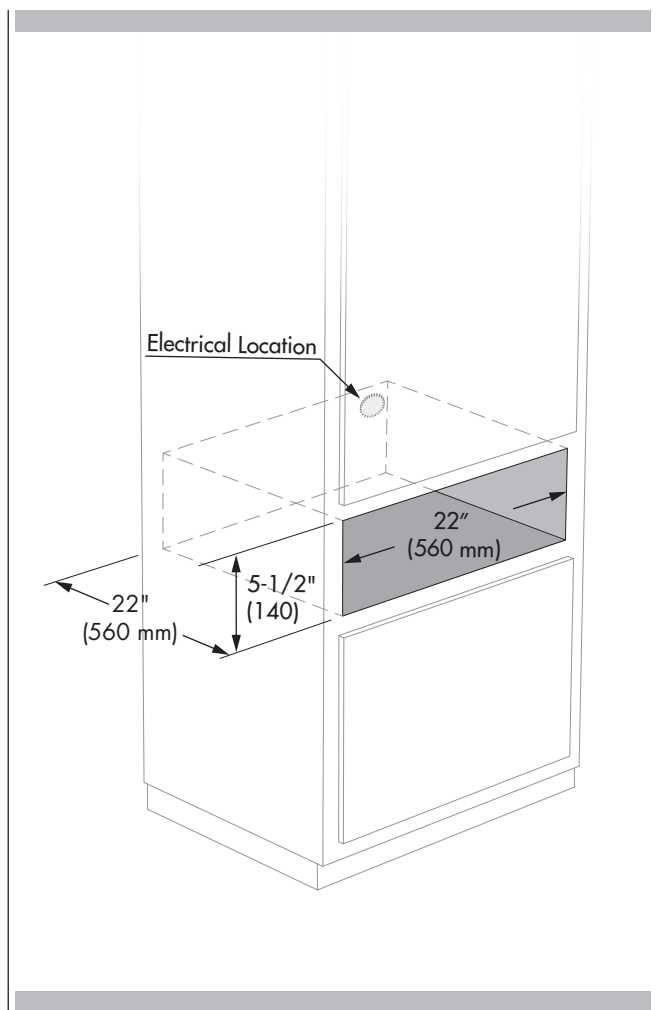
Power Supply	
120 Volts 60 Hz	
Amperes	Watts
3,3	400

Installation notes

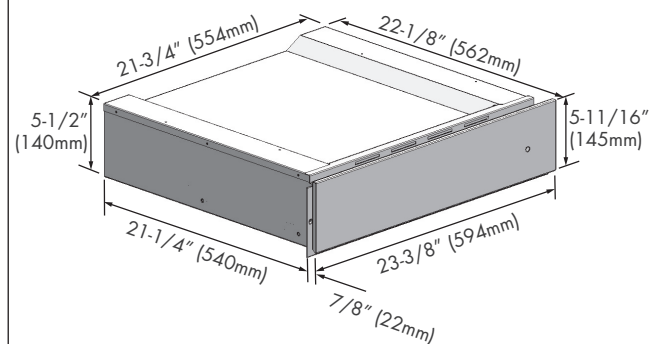
1. The warming drawer support surface must be a minimum 3/4" (2cm) thick plywood platform. It must support 100 pounds. The platform must be solid, level and flush with the bottom of the cabinet cut out.
2. Use extreme caution when moving or installing the drawer. It is very heavy. **DO NOT LIFT THE WARMING DRAWER BY THE DRAWER HANDLE.**
3. Be very careful when moving or installing the warming drawer to avoid damage to the frame or damage to the cabinets.
4. For best performance results make sure the warming drawer is leveled before completing installation. There is no way to level the warming drawer after it has been installed. If the installation is not level, the door may slide open or not seal tightly, allowing heat to escape.

NOTE: If installing the warming drawer below another product, refer to that product's literature for any installation requirements.

5. Be careful when placing drawer. **DO NOT** pinch the conduit between the drawer back.



DIMENSIONS



WARNING

Before installing or removing, turn power OFF at the service panel. Lock service panel to prevent power from being turned ON accidentally.

Securely fasten drawer to cabinet using the screws provided. Failure to do so could result in warming drawer moving or tipping during use and causing damage to the drawer or cabinets or personal injury.

Know how to disconnect the power to the warming drawer at the circuit breaker or fuse box in case of an emergency.

CAUTION

Unit is heavy and requires at least two people or proper equipment to move.

Electrical Requirements

General Information

This appliance must be supplied with the proper voltage and frequency and connected to an individual, properly grounded branch circuit, protected by a circuit breaker or fuse having amperage as noted on the rating plate. We recommend you have the electrical wiring and hookup of your appliance connected by a qualified electrician.

After installation, have the electrician show you where your main appliance disconnect is located. Check with your local utilities for electrical codes which apply in your area. Failure to wire your warming drawer according to governing codes could result in a hazardous condition.

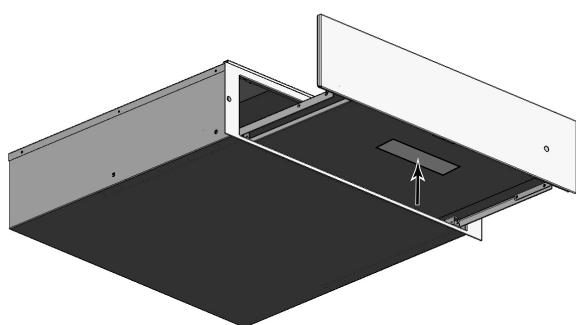
If there are no codes, your appliance must be wired and fused to meet the requirements of the National Electrical Code, ANSI/NFPA No. 70 - Latest edition.

In Canada your appliance must be wired and fused to meet the requirements of the Canadian Electrical Code.

Be sure the installation of this product in a mobile home conforms with the Manufactured Home Construction and Safety Standard, Title 24 CFR, Part 3280.

If this standard does not apply, you must follow the standard for Manufactured Home Installations, ANSI A225.1 and Manufactured Home Installations, Sites and Communities and ANSI/NFPA 501A or with local codes.

LOCATION OF RATING PLATE



Electrical Connection

An adequate electrical supply and outlet must be used to operate the electrical parts of your appliance.

WARNING



Electrical Grounding Instruction Plug into a grounded 3 prong outlet.

- Do not remove ground prong.
- Do not use an adapter.
- Do not use an extension cord.

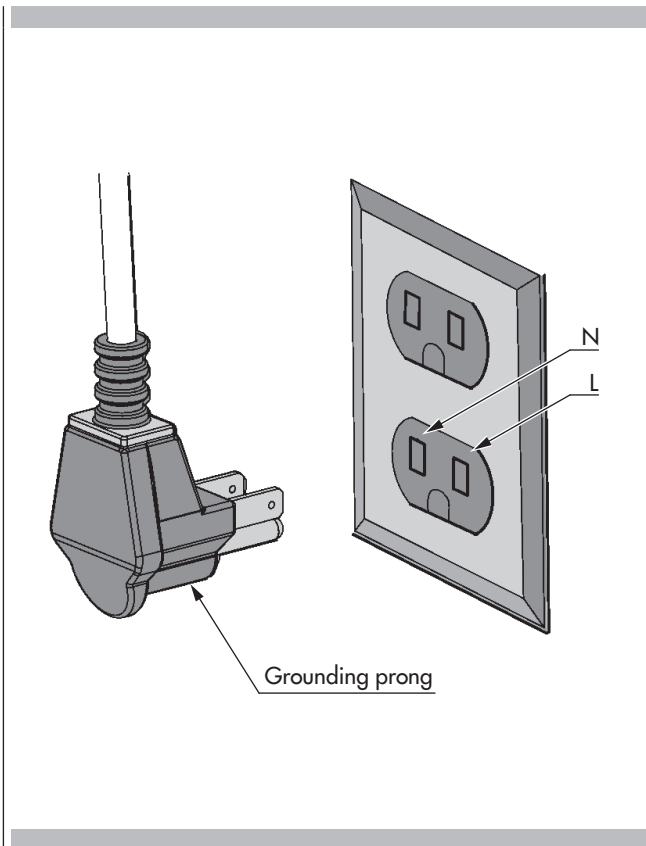
Failure to follow these instructions can result in death, fire, or electrical shock.

IMPORTANT

FOR PERSONAL SAFETY, THIS APPLIANCE MUST BE PROPERLY GROUNDED.

The power cord of this appliance is equipped with a 3-prong (grounding) plug which must be used with a properly grounded 3-hole outlet with a standard 120 Volt, 60 cycle AC household current. If you do not have a 3-hole grounded outlet, have a qualified electrician change your old one. A grounding adaptor will be needed to convert the old one until the outlet can be replaced. This method is only temporary, and a qualified electrician should test it to be sure it meets requirements.

Do not under any circumstances cut or remove grounding prong from the appliance cord.



WARNING

- If cold water pipe is interrupted by plastic, non metallic gaskets, union connections or other insulating materials, DO NOT use for grounding.
- DO NOT ground to a gas pipe.
- DO NOT have a fuse in the NEUTRAL or GROUNDING circuit. A fuse in the NEUTRAL or GROUNDING circuit could result in an electrical shock.
- Check with a qualified electrician if you are in doubt as to whether the appliance is properly grounded.
- Failure to follow these instructions could result in serious injury or death.

CAUTION

Do not repair or replace any part of the appliance unless specifically recommended in the manual. All other servicing should be done by a qualified technician. This may reduce the risk of personal injury and damage to the appliance.

Never modify or alter the construction of the appliance by removing panels, wire covers, screws, or any other part of the product.

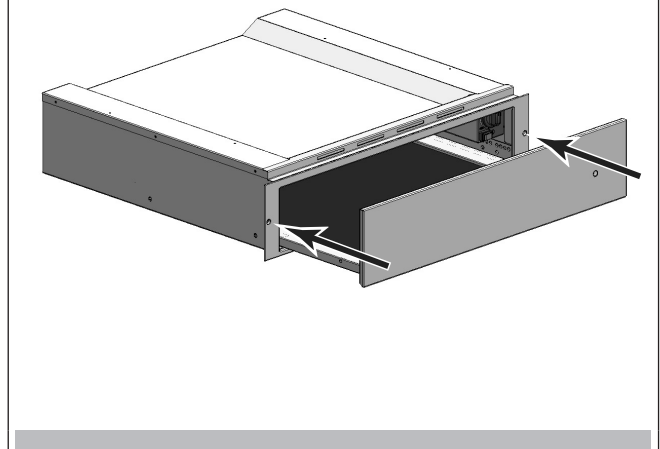
Installation procedure

Before you begin assembling the drawers of the appliance, make sure there is enough room to fit the drawer and the appliance.

The precise dimensions for the installment are indicated in inches and mm.

- Turn power off to the electrical outlet.
- Insert plug into three-prong, grounded outlet (see "Power Requirements and Grounding" for electrical specification).
- Position the drawer so that it is directly centered and slide warming drawer assembly into cutout until it is flush with cabinet.
- Avoid pinching the power cord between the unit and cabinet wall.
- Open the warming drawer to full extension and fix the structure to the wall with the two screws provided.

INSTALLATION



- Turn power back on to the electrical outlet.
- Turn the warming drawer on. Close the drawer for approximately 1 minute then check for warmth.

Cher Client,

Vous venez d'acheter l'un de nos produits et nous vous en remercions vivement.

Ce nouveau produit, minutieusement conçu et construit avec des matériaux de tout premier choix, a été soigneusement testé afin de satisfaire chacune de vos exigences en matière de cuisson.

Nous vous prions de lire et de respecter ces instructions simples qui vous permettront d'obtenir d'excellents résultats dès la première utilisation.

Nous vous souhaitons une bonne cuisine avec cet appareil moderne.

Le Constructeur

TABLES DES MATIERES	PAGE
Precautions d'emploi	2
Instructions pour l'élimination - Notre politique de sauvegarde de l'environnement	2
Ouverture du tiroir- Pousser pour ouvrir le tiroir.	3
Avant l'utilisation	3
Système de chauffage	3
Tiroir chauffe-vaisselle	4
Réglages	4
Temps de réchauffage	4
Décongélation	4
Levée	4
Chauffe-plat	4
Cuisson lente	5
Mises en garde pour la cuisson lente	5
Nettoyage et entretien	6
Bandeau frontal et panneau de commandes	6
Compartiment interne	6
Que faire en cas de panne?	6

TABLES DES MATIERES	PAGE
Instructions d'Installation	6
Outils nécessaires	7
Emballage	7
Alimentation nécessaire	7
Choisir l'emplacement du tiroir	7
Etapas de l'installation	7
Donnees techniques	8
Remedes d'installation	8
Exigences électriques	9
Information Général	9
Branchement Electrique	9
Procédure d'installation	10

**INSTRUCTIONS POUR L'UTILISATEUR:**

elles comprennent les recommandations pour l'utilisation, une description des commandes ainsi que les procédures correctes pour le nettoyage et le soin de l'appareil.

**INSTRUCTIONS POUR L'INSTALLATION:**

elles sont réservées au technicien qualifié qui s'occupera de l'installation, de la mise en marche et des essais de l'appareil.

Precautions d'emploi

Le présent manuel fait partie intégrante de l'appareil. Prenez-en soin et conservez-le à portée de main pendant toute la durée de vie du tiroir chauffe-vaisselle.

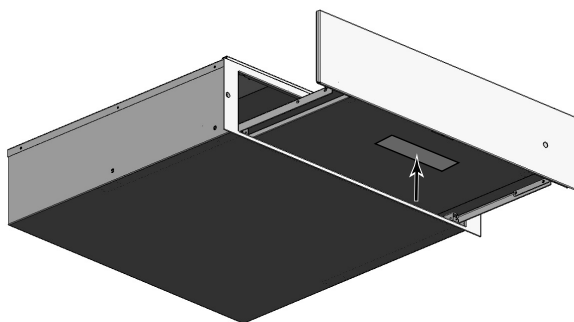
Avant d'utiliser l'appareil, on recommande de lire le présent manuel et toutes les informations qu'il contient. L'installation doit être confiée à du personnel qualifié, conformément aux normes appropriées. Cet appareil est conçu pour un usage domestique et il est conforme aux directives CE actuellement en vigueur. LE PRODUCTEUR DÉCLINE TOUTE RESPONSABILITÉ EN CAS D'UTILISATIONS DIFFÉRENTES DE CELLES INDICÉES CI-DESSUS.

CONSERVEZ TOUJOURS CES INSTRUCTIONS D'UTILISATION À PORTÉE DE MAIN ET REMETTEZ-LES AU FUTUR UTILISATEUR ÉVENTUEL EN CAS DE CESSIION DE L'APPAREIL!

N'OBSTRUEZ JAMAIS LES OUVERTURES ET LES FENTES PRÉVUES POUR L'AÉRATION ET LA DISPERSION DE LA CHALEUR.

LA PLAQUE DES DONNÉES CONTENANT LES DONNÉES TECHNIQUES, LE NUMÉRO DE SÉRIE ET LA MARQUE EST APPLIQUÉE DANS UNE POSITION VISIBLE SUR LE BLOC CHAUFFANT. N'enlevez jamais l'étiquette des données.

POSITION DE LA PLAQUE SIGNALÉTIQUE



WARNING

N'UTILISEZ JAMAIS DE PAILLETES ABRASIVES, MÉTALLIQUES NI DES RACLOIRS ACÉRÉS RISQUANT D'ENDOMMAGER LA SURFACE. SI NÉCESSAIRE, UTILISEZ DES PRODUITS STANDARD NON ABRASIFS À L'AIDE D'OUTILS EN BOIS OU EN PLASTIQUE. RINCEZ SOIGNEUSEMENT ET SÉCHEZ AVEC UN CHIFFON DOUX OU UNE PEAU DE CHAMOIS.

Instructions pour l'élimination - Notre politique de sauvegarde de l'environnement

Nos produits sont généralement emballés avec des matériaux non polluants, non nocifs pour l'environnement et recyclables. On demande aux utilisateurs de collaborer, en éliminant les emballages de manière inadéquate. Contactez votre revendeur ou les organisations locales compétentes pour demander les adresses des structures de collecte, de recyclage et d'élimination.

Ne jetez jamais l'ensemble ou une partie de l'emballage dans les environs. Les parties de l'emballage et en particulier les sachets en plastique représentent un risque d'étouffement pour les enfants.

Votre ancien appareil doit lui aussi être éliminé de façon adéquate.



IMPORTANT

Remettez l'appareil à l'organisation locale autorisée à collecter les appareils mis au rebut. Une élimination correcte permet une récupération intelligente de matériel de valeur.

Les appareils qui ne sont plus utilisés doivent être débranchés du secteur d'alimentation et il faut enlever tous les fils électriques conducteurs, de manière à ce qu'ils ne représentent pas un danger pour les enfants.



CONSIGNES IMPORTANTES

Quand on utilise des appareils électriques, il convient de toujours respecter des consignes de sécurité de base, y compris les suivantes :

1. Lire toutes les instructions.
2. Ne pas toucher les surfaces chaudes. Utiliser les poignées et les boutons.
3. Pour se protéger contre les électrocutions, ne pas mettre le cordon, les prises dans l'eau ou autre liquide.
4. Une étroite surveillance est nécessaire quand un appareil est utilisé par des enfants ou à proximité de ces derniers.
5. Débrancher la fiche de la prise quand l'appareil n'est pas utilisé et avant le nettoyage. Le laisser refroidir avant de monter ou retirer des pièces.
6. Ne pas utiliser un appareil dont la fiche, le cordon est endommagé ou après des dysfonctions de l'appareil ou après que ce dernier a été endommagé de quelque manière que ce soit. Retourner l'appareil au centre de service agréé le plus proche pour l'examiner, des réparations ou des réglages.
7. Le fabricant de l'appareil déconseille l'utilisation de fixations accessoires qui pourraient causer des blessures.
8. Ne pas utiliser les appareils à l'extérieur.
9. Ne pas laisser le cordon dépasser du bord de la table ou d'un plan de travail et ne pas le laisser toucher des

surfaces chaudes.

10. Ne pas placer l'appareil sur ou à proximité d'une plaque électrique, d'un brûleur à gaz ou d'un four chaud.
11. Faire très attention quand on déplace un appareil contenant de l'huile chaude ou tout autre liquide chaud.
12. Toujours fixer la fiche à l'appareil en premier puis brancher le cordon dans la prise électrique murale. Pour débrancher, désactiver toute commande ("off") puis retirer la fiche de la prise murale.
13. Ne pas utiliser l'appareil pour un usage autre que celui pour lequel il a été conçu.
14. L'intérieur de l'appareil peut atteindre des températures de 170 F (77 C) en fonction de la température sélectionnée et du temps de fonctionnement. Si nécessaire, utiliser des gants pour retirer ce qui se trouve dans le tiroir.
15. Ne pas s'appuyer ni s'asseoir sur le tiroir chaud quand il est ouvert, cela pourrait endommager le rail télescopique. Le poids maximal de charge du tiroir chauffant est de 22 lbs. (10 kg).
16. Ne pas ranger des récipients en plastique ou des objets inflammables dans l'appareil. Ces objets représentent un risque d'incendie si le tiroir est mis en marche.
17. **Conserver ces instructions.**

NETTOYAGE:

- N'utilisez jamais de nettoyeur à vapeur. La vapeur pourrait en effet atteindre les éléments sous tension et provoquer des courts-circuits. La précision de la vapeur risque également d'endommager de façon permanente les surfaces et les éléments de l'appareil: le constructeur décline toute responsabilité en cas de dommages de ce type.
- On recommande de suivre les instructions concernant le nettoyage figurant au paragraphe « Nettoyage et Entretien ».



ATTENTION

RÉPARATIONS:

Les travaux de montage, d'entretien ou de réparation doivent exclusivement être effectués par du personnel spécialisé. Les travaux d'installation, d'entretien ou de réparation non conformes peuvent représenter des dangers pour l'utilisateur; dans ce cas, le constructeur décline toute responsabilité.

Seul le Service d'Assistance autorisé par le constructeur est autorisé à effectuer des réparations sur l'appareil durant la période de garantie; dans le cas contraire, le droit à la garantie tombe en cas de dommages successifs.

Avant d'effectuer les travaux d'installation et d'entretien ou de réparation, débranchez l'appareil du réseau.

L'appareil n'est effectivement débranché du réseau que si:

- le fusible du circuit domestique s'est déclenché.
- la fiche de l'appareil est débranchée du réseau: - pour débrancher l'appareil du réseau, ne tirez pas sur le câble d'alimentation, mais extraire manuellement la fiche de la prise.

INSTRUCTIONS POUR L'UTILISATEUR:



Ouverture du tiroir- Pousser pour ouvrir le tiroir.

- Pour ouvrir le tiroir, appuyer sur la partie frontale de ce dernier.
- Saisir le tiroir et le tirer vers soi jusqu'à ce qu'il soit complètement ouvert.

Fermeture du tiroir

- Pour fermer le tiroir, accompagnez-le en fermeture, et appuyez sur la partie frontale jusqu'à l'enclenchement.

Avant l'utilisation

N'abandonnez jamais les résidus de l'emballage dans la maison. Séparez le matériel résiduel de l'emballage par type et remettez-le au centre d'élimination le plus proche.

Avant d'utiliser l'appareil pour la première fois, nettoyez-le avec un chiffon humide puis séchez-le soigneusement tel qu'on le décrit au chapitre « Nettoyage et entretien ».

Chauffez le tiroir vide pendant au moins 2 heures. Pour cela, réglez la température à 170 F (77 C). Durant cette période de réchauffage, veillez à ce que la cuisine soit bien aérée.

Les éléments en métal ont été traités avec un produit de protection adéquat.

Ce produit pourrait être la cause de mauvaises odeurs lors du premier réchauffage du tiroir. Ces odeurs et les éventuelles fumées disparaissent rapidement et elles ne sont pas dues à un branchement non conforme ou à un défaut de l'appareil.

Système de chauffage

L'appareil est muni d'un système de ventilation à air chaud. Un ventilateur distribue de façon optimale la chaleur de la résistance de réchauffage à l'intérieur du tiroir.

Le thermostat permet de déterminer et de contrôler la température souhaitée pour la vaisselle introduite.

La circulation de l'air réchauffe la vaisselle de manière uniforme et rapide.

Une grille de protection empêche le contact accidentel avec les résistances de réchauffage et le ventilateur.

Tiroir chauffe-vaisselle

Réglages

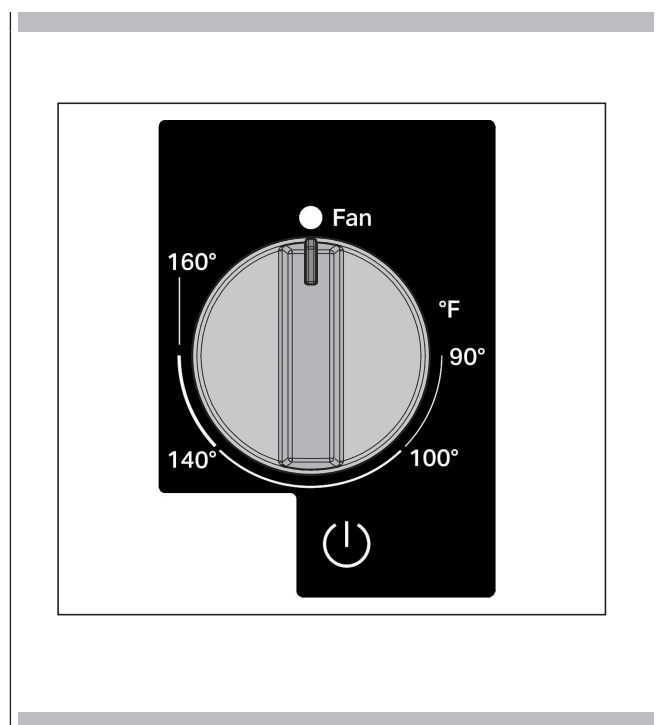
Ouvrez le tiroir. Tournez le bouton en sélectionnant la température souhaitée, puis enfoncez le bouton rouge. Le voyant rouge du bouton s'allumera et restera allumé pendant toute la durée du fonctionnement. Pour mettre l'appareil hors tension, tournez la poignée sur 0 et enfoncez le bouton. Le voyant rouge s'éteindra.

Temps de réchauffage

Différents facteurs influencent les temps de réchauffage:

- matériel et épaisseur de la vaisselle;
- quantité de vaisselle chargée;
- disposition de la vaisselle chargée;
- sélection de la température.

Il est donc impossible de fournir des indications absolues. En réglant la température sur 60 °C et pour obtenir un réchauffage homogène, on peut tenir compte des valeurs indicatives suivantes:



VAISSELLE	TEMPS (MIN)
VAISSELLE POUR 6 PERSONNES	30-35

C'est l'expérience pratique qui vous enseignera quelles sont les sélections optimales pour vos exigences.

Décongélation

La fonction de décongélation utilise uniquement la ventilation forcée sans aucun élément chauffant actif.

Procédure

- Appuyez sur le bouton ON / OFF pour activer le ventilateur interne.
- Tourner le bouton sur la position décongélation.

Levée

La fonction de levée maintient la température du tiroir entre 77 F (25 C) et 90 F (30 C).

Procédure

1. Préchauffer le tiroir pendant 5 minutes en tournant le bouton sur 90 F (30 C).
2. Placer la pâte au centre du tiroir après l'avoir enveloppé dans un torchon légèrement humide.

Chauffe-plat

Aliments conseillés pour être laissés au chaud : viande, poulet, poisson, sauces, légumes, garnitures et soupes.

- Pour éviter que les aliments ne débordent dans le tiroir, ne pas remplir excessivement les plats.
- Disposer les plats dans le tiroir et fermer ce dernier avec précaution afin d'éviter que les éventuels liquides ne sortent.
- Il est conseillé de ne pas réchauffer les aliments pour des intervalles de temps supérieurs à une heure afin d'éviter que ceux-ci ne perdent leurs substances nutritives.
- Couvrir les aliments humides et liquides avec un couvercle ou une pellicule résistant aux températures élevées. De cette manière, on évite que l'humidité ne s'échappe, que de la condensation ne se forme et dépose de l'humidité hors des plats.
- Ne pas couvrir les aliments rôtis ou les frites qui doivent rester croustillants. Tenir ces plats au chaud avec des températures élevées.

Procédure

1. Placer les plats dans le tiroir.
2. Allumer le tiroir et mettre le thermostat entre 100 F (40 C) et 140 F (60 C) en fonction de la température souhaitée et préchauffer l'appareil pendant 10 minutes.
3. Mettre la nourriture dans les plats préchauffés.
4. Refermer le tiroir. Le voyant lumineux de ON reste allumé et l'appareil chauffe.

Désactivation

Mettre le bouton en position OFF. Extraire les plats du tiroir à l'aide d'un chiffon ou de maniques.

Remarque: Ne jamais transférer la vaisselle chaude directement du plan de cuisson chaud à la base en verre du tiroir thermique. Le fond en verre peut être endommagé.

Cuisson lente

La fonction de cuisson lente est idéale pour cuire la viande tendre qui doit s'avérer peu cuite ou saignant. Grâce à ce mode de cuisson, la viande est encore rose à l'intérieur. Cependant, ceci ne signifie pas que la viande est crue ou peu cuite.

En plus de retenir les jus dans la viande, cette fonction permet de maintenir la viande chaude plus facilement.

Vaisselle adaptée à l'utilisation : en verre, porcelaine ou céramique avec couvercle.

Procédure

1. Préchauffer le tiroir chauffe-plat avec la vaisselle choisie préalablement, au niveau maximum pendant 15 minutes.
2. Faire chauffer du beurre ou de l'huile dans un plat. Laisser la viande rissoler pendant le temps indiqué dans le tableau puis remettre le tout immédiatement dans la casserole préchauffée en recouvrant avec le couvercle.
3. Mettre le thermostat sur 140 F (60 C) pour le temps nécessaire à terminer la cuisson.

Tableau

La fonction de cuisson lente est adaptée à toutes les pièces tendres de bœuf, porc, veau, agneau, gibier et volaille. Le temps initial pour faire rissoler la viande et la suite de la cuisson dépendent des dimensions des tranches de viande.

Les paramètres de temps se réfèrent au cas où la viande est reposée dans un plat avec du beurre et de l'huile déjà chaude.

PLAT	Rissolage initial	Poursuite de la cuisson dans le tiroir
Petites tranches de viande		
Languettes de viande	Environ 1 - 2 minutes	20 - 30 minutes
Petits steaks ou médaillons	Environ 1 - 2 minutes par côté	35 - 50 minutes
Tranches de viande de dimensions moyennes		
Filet 0.80-1.75lbs (400-800g)	Environ 4 - 5 minutes par côté	75 - 120 minutes
Rôti maigre 1.30-2.20lbs (600-1000g)	Environ 10 - 15 minutes par côté	120 - 180 minutes
Grandes tranches de viande		
Filet à partir de 2.00lbs (900g)	Environ 6 - 8 minutes par côté	120 - 180 minutes
Roastbeef 2.20-2.65lbs (1000-1200g)	Environ 8 - 10 minutes par côté	210 - 300 minutes

Mises en garde pour la cuisson lente

- Utiliser uniquement de la viande fraîche et en parfaite condition.
- Eliminer, avec soin, les zones de graisse.
- Les parties charnues ne doivent pas être nécessairement retournées.
- Une fois la cuisson terminée, il est possible de couper la viande ; il n'est pas nécessaire de la laisser reposer.
- Avec la cuisson lente, la viande n'est pas chaude comme la viande cuite traditionnellement ; il est conseillé, pour les 20-30 dernières minutes de cuisson de remettre aussi les assiettes dans le tiroir chauffe-plat, dans la partie gauche.
- Servir la viande avec des sauces très chaudes.
- Si on souhaite maintenir la viande chaude une fois que la cuisson est terminée, mettre le bouton du thermostat entre 100 F (40 C) et 140 F (60 C). Les petites pièces de viande peuvent être maintenues chaudes pendant 45 minutes et les plus grandes pendant deux heures.

Nettoyage et entretien

Le nettoyage représente généralement le seul type d'entretien nécessaire.

ATTENTION

Avant de commencer le nettoyage, débranchez l'appareil du réseau. Retirez la fiche des prises ou désactivez le circuit d'alimentation de l'appareil.

AVERTISSEMENT

N'utilisez pas de détergents agressifs, de produits abrasifs, d'éponges abrasives ni d'objets pointus, car ils risquent de tacher l'appareil.

N'utilisez jamais de jets de vapeur pour le nettoyage des parties internes de l'appareil.

Bandeau frontal et panneau de commandes

Il suffit de nettoyer l'appareil avec un chiffon humide. S'il est particulièrement sale, ajoutez deux gouttes de détergent à l'eau de nettoyage. Ensuite, séchez l'appareil avec un chiffon sec.

On peut nettoyer les bandeaux frontaux en acier inoxydable des chauffe-vaisselle avec des détergents spéciaux. Ces produits ralentissent la formation de la saleté à la surface du tiroir. Appliquez une quantité minimale de produit avec un chiffon doux sur toute la surface à traiter.

Compartment interne

Nettoyez le compartiment interne avec un chiffon humide après chaque utilisation. S'il est particulièrement sale, ajoutez deux gouttes de détergent à l'eau de nettoyage. Ensuite, séchez les surfaces avec un chiffon sec. Évitez que l'eau ne coule à travers les orifices de ventilation. Réutilisez le tiroir uniquement lorsqu'il est complètement sec.

Que faire en cas de panne?

ATTENTION

Tout type de réparation ne doit être effectué que par un personnel spécialisé et diplômé. Dans le cas contraire, les réparations pourraient s'avérer dangereuses. Les pannes suivantes peuvent être rétablies par l'utilisateur sans l'intervention du Service d'Assistance.

Le vaisselle ne chauffe pas suffisamment ? Vérifiez si:

- l'appareil est sous tension;
- vous avez sélectionné la température correcte;
- les ouvertures de ventilation ont été obstruées par les assiettes ou les assiettes creuses de grandes dimensions;
- la vaisselle a été chauffée pendant une période suffisamment longue.

La vaisselle ne se réchauffe pas ? Vérifiez si:

- le ventilateur est bruyant;
- Si la casserole est en fonction, cela signifie que la résistance de réchauffage est défectueuse.
- Si le ventilateur ne fonctionne pas, cela signifie qu'il est défectueux.
- le fusible de l'installation domestique s'est déclenché.

INSTRUCTIONS POUR L'INSTALLATION:



Instructions d'Installation

IMPORTANT: Gardez ces instructions pour une utilisation d'inspection électrique locale

INSTALLATEUR: Veuillez laisser ce manuel au propriétaire pour de futures références.

PROPRIETAIRE: Veuillez garder ce manuel pour de futures références.

AVERTISSEMENT

Si l'information de ce manuel n'est pas suivie exactement, cela peut provoquer un incendie ou une explosion pouvant entraîner des dégâts, des blessures ou la mort.

Merci de lire ces instructions ENTIEREMENT ET AVEC ATTENTION. Elles vous permettront de gagner du temps et d'éviter de gaspiller votre énergie et vous aideront à garantir les performances optimales du tiroir.

Assurez-vous de bien observer tous les AVERTISSEMENTS. Ces instructions d'installation sont conçues pour l'utilisation d'un installateur qualifié.

- Veuillez vous assurer que l'installation électrique est adéquate et conforme à la Réglementation Électrique Nationale ANSI/NFPA 70 – dernière édition** ou à la Réglementation Électrique du Canada, C22.1 – 1982 et C22.2 N 01982 (ou dernière édition)*** et à tous les règlements et ordonnances en vigueur localement.

Il faut toujours les suivre soigneusement.

Outils nécessaires

Les outils suivants sont nécessaires pour installer le nouveau tiroir chauffant :

- Mètre enrouleur et règle à tracer ou règle
- Crayon
- Tournevis Philips
- Niveau
- Cutter de fils électriques et des dénude - fil
- Scie sauteuse ou scie à main
- Scie - cloche de 1" (2,5cm)
- Mèche et perceuse
- Gants et lunettes de sécurité
- Voltmètre (0-250VAC)

Emballage

Retirer tout le ruban adhésif et l'emballage avant d'utiliser le tiroir chauffant.

Détruire l'emballage après avoir déballé le tiroir en suivant les règles en vigueur dans votre ville. Ne jamais laisser des enfants jouer avec le matériel d'emballage.

Alimentation nécessaire

Le tiroir chauffant doit être alimenté avec la tension et la fréquence appropriées. Le tiroir est fabriqué pour être branché à une alimentation CA, 3 conducteurs, monophasé, 120 volts, 60 Hz.

Choisir l'emplacement du tiroir

Sélectionner attentivement l'emplacement où le tiroir chauffant sera placé.

Il devrait être placé de manière à pouvoir être utilisé facilement dans la cuisine.

Assurez-vous que le branchement peut arriver jusqu'à l'emplacement choisi.

Étapes de l'installation

Les pages suivantes fournissent les informations nécessaires à une installation correcte de l'appareil et elles sont organisées comme suit :

- Données techniques
- Dimensions de découpe pour l'installation, espaces libres nécessaires et instructions pour le montage.
- Alimentation électrique et branchement électrique nécessaires.
- Liste finale de vérifications.

Données techniques

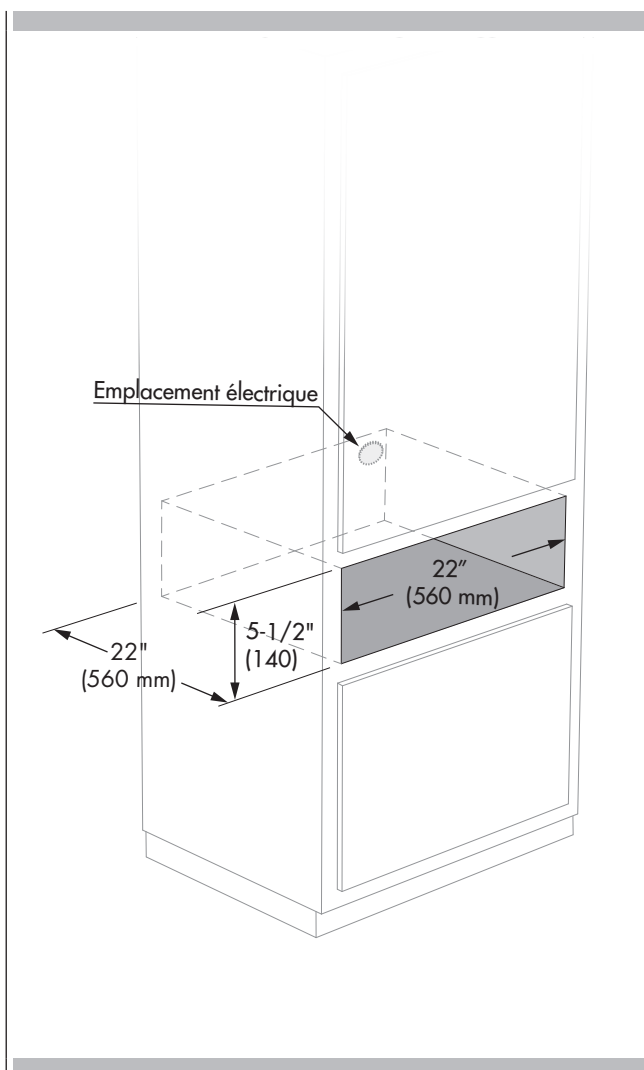
Alimentation	
120 Volts 60 Hz	
Ampères	Watts
3,3	400

Remarques d'installation

1. La surface de support du tiroir chauffant doit être une plateforme en contreplaqué d'au moins 3/4" (2cm) d'épaisseur. Elle doit supporter 100 pounds (45 kg). La plate-forme doit être solide, plane avec le fond du meuble découpé.
2. Rester extrêmement attentif quand on déplace ou on installe le tiroir. Celui-ci est particulièrement lourd. **NE PAS SOULEVER LE TIROIR CHAUFFANT PAR LA POIGNEE DU TIROIR.**
3. Faire très attention quand on déplace ou on installe le tiroir chauffant pour éviter d'endommager le cadre ou d'endommager les meubles.
4. Pour des résultats optimaux, s'assurer que le tiroir chauffant est mis à niveau avant de terminer l'installation. Il n'existe aucun moyen de niveler le tiroir chauffant après que celui-ci a été installé. Si l'installation n'est pas nivelée, la porte risque de s'ouvrir ou de ne pas fermer correctement, laissant ainsi la chaleur s'échapper.

REMARQUE : Si le tiroir chauffant est installé en dessous d'un autre produit, consulter la documentation de ce produit pour toute exigence concernant l'installation.

5. Faire attention quand on positionne le tiroir. **NE PAS** pincer le conduit entre le dos du tiroir.



AVERTISSEMENT

Avant d'installer ou de déplacer le tiroir, coupez l'alimentation au panneau de service. Fermez le tableau de service pour éviter que le courant soit remis accidentellement.

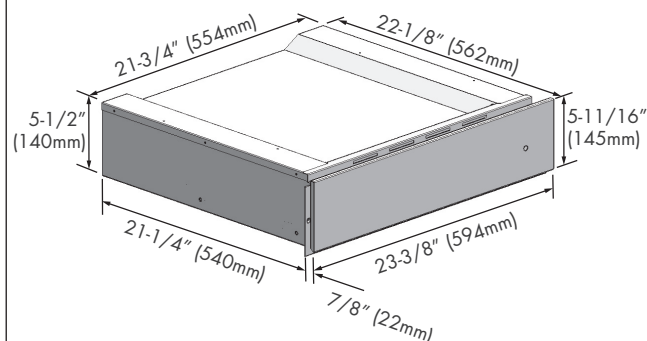
Fixer le tiroir au meuble de manière sûre avec les vis fournies. Si vous ne le faites pas, le four peut bouger ou basculer pendant l'utilisation et endommager le tiroir ou le meuble ou blesser quelqu'un.

Sachez comment déconnecter l'alimentation du tiroir au disjoncteur ou au boîtier de fusibles en cas d'urgence.

ATTENTION

L'appareil est lourd et il faut au moins deux personnes ou un équipement approprié pour le déplacer.

POUSSER TIRER



Exigences électriques

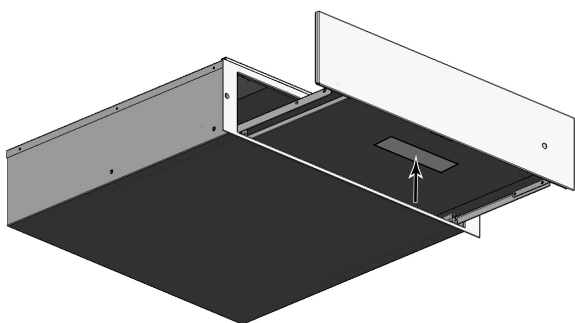
Information Général

Le voltage et la fréquence de cet appareil doivent être conformes à ceux du réseau; en outre, il doit être correctement relié à la terre et protégé par un disjoncteur général ou un fusible ayant un ampérage comme spécifié sur la plaque signalétique. Nous vous recommandons de faire exécuter le branchement électrique de votre appareil par un électricien compétent. Après l'installation, demandez-lui de vous montrer où se situe l'interrupteur général de la appareil. Vérifiez auprès des autorités locales les normes d'électricité qui s'appliquent à votre zone d'habitation. Ne pas câbler le tiroir chauffant conformément aux codes réglementaires pourrait causer une situation dangereuse.

Dans le cas où il n'y aurait pas de normes spéciales, votre appareil sera branchée et protégée par des fusibles aux termes des Normes d'Électricité Nationales, ANSI/NFPA N 70-dernière édition.

Au Canada, le branchement électrique de votre appareil et les fusibles doivent être conformes aux Normes d'Électricité du Canada. Assurez-vous que l'installation de ce produit dans une autocaravane est conforme aux Normes de Construction et de Sécurité des Habitations, Titre 24CFR, Partie 3280, ou lorsque de telles normes ne sont pas applicables, à la Norme pour les Installations d'Habitations, ANSI A225.1, à la Norme pour les Installations des Habitations, Emplacements et Communautés et ANSI/NFPA 501A ou aux réglementations locales.

POSITION DE LA PLAQUE SIGNALÉTIQUE



Branchement Electrique

Vous devez disposer d'une fourniture et d'une sortie électrique adéquate pour que les pièces électriques de votre appareil fonctionnent.



AVERTISSEMENT



RISQUE D'ÉLECTROCHOC

Branchez dans une prise à 3 fils avec mise à la terre.

- Ne pas enlever le conducteur de mise à la terre.
- Ne pas utiliser un adaptateur.
- Ne pas utiliser un câble d'extension.

La non-observation de ces instructions peut entraîner la mort, un incendie ou un électrochoc.

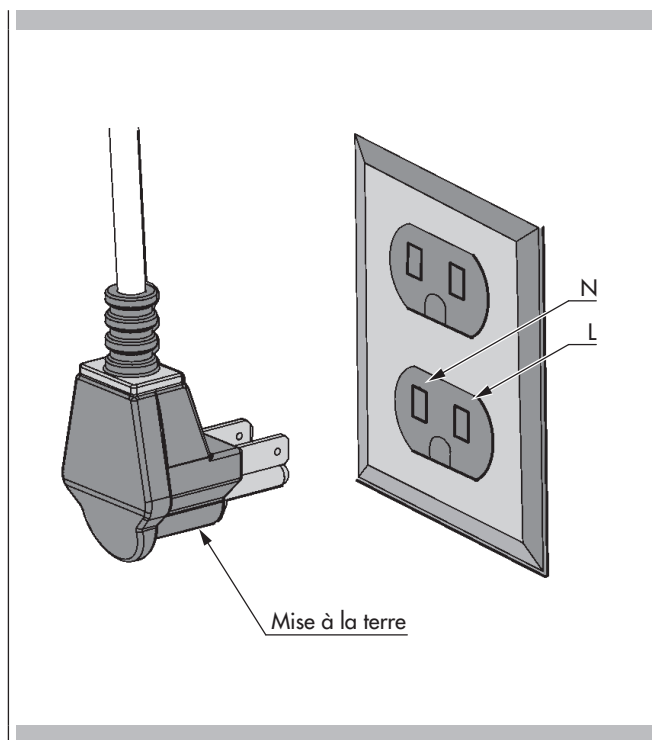


IMPORTANT

POUR VOTRE SÉCURITÉ PERSONNELLE, CET APPAREIL DOIT NÉCESSAIREMENT ÊTRE RELIÉ À LA TERRE.

Le câble d'alimentation de cet appareil est équipé d'une fiche à 3 fils (mise à la terre) qui doit être branchée dans une prise à 3 fils mise à la terre correctement et disposant d'un courant alternatif standard de 120 Volt et 60 cycles. Si votre prise n'est pas reliée à la terre, demandez à un électricien de vous la remplacer; et en attendant, utilisez un adaptateur reliant à la terre pour convertir la vieille prise. Cette solution ne peut être que temporaire et un électricien compétent devrait la tester pour être sûr qu'elle correspond aux normes.

Ne jamais en aucun cas couper ou enlever la mise à la terre du câble électrique de la appareil.



AVERTISSEMENT

- Si un tuyau d'eau froide est interrompu par un plastique, des joints non métalliques; des connexions d'union ou d'autres matériaux isolants. **NE L'UTILISEZ pas** pour mettre à la masse.
- Ne branchez pas la masse à un tuyau à gaz.
- **N'AYEZ PAS** de fusible en position neutre ou un circuit à la masse.
- Un fusible dans un circuit neutre ou à la masse pourrait entraîner une électrocution.
- Vérifiez avec un électricien qualifié si vous avez un doute si votre appareil est correctement raccordé à la masse.
- Si vous ne suivez pas bien ces instructions, cela peut entraîner des blessures graves ou la mort.



IMPORTANT

Ne réparez ou ne remplacez pas des pièces de l'appareil si ce n'est pas spécifiquement recommandé dans le manuel.

Tous les autres dépannages doivent être effectués par un technicien qualifié. Ce qui réduirait les risques de blessures et d'endommagements du appareil.

Ne modifiez jamais ou n'altérez jamais la construction de l'appareil en enlevant des panneaux, des couvertures de fil, des vis, ou toute autre pièce du produit.

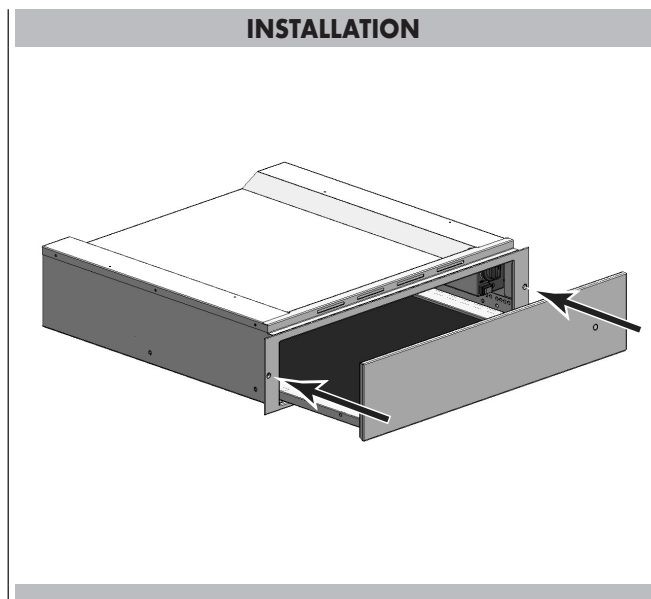
Procédure d'installation

Avant de commencer le montage des tiroirs de l'appareil, s'assurer qu'il y a suffisamment d'espace pour installer le tiroir et l'appareil.

Les dimensions précises pour l'installation sont indiquées en pouces et en mm.

- Couper l'alimentation à la prise électrique.
- Insérer la fiche dans la prise bipolaire avec terre (voir "Exigences d'alimentation et mise à la terre", pour les spécifications électriques).
- Positionner le tiroir de façon à ce qu'il soit centré directement et faire coulisser le tiroir chauffant dans la découpe jusqu'à ce qu'il soit à niveau avec le meuble.
- Eviter de pincer le cordon d'alimentation entre le tiroir et le panneau du meuble.
- Ouvrir le tiroir chauffant sur toute sa longueur et fixer la structure au mur avec les deux vis fournies.

INSTALLATION



- Remettre la prise électrique sous tension.
- Mettre le tiroir chauffant sous tension. Fermer le tiroir pendant environ 1 minute puis vérifier la chaleur.

Estimado cliente,

Le agradecemos sinceramente y nos complace que haya escogido uno de nuestros productos.

Este nuevo producto, cuidadosamente diseñado y construido con materiales de primera calidad, se ha verificado cuidadosamente para poder satisfacer todas sus exigencias de una perfecta cocción.

Por lo tanto, le rogamos que lea y respete estas sencillas instrucciones que le permitirán conseguir resultados excelentes ya desde su primera utilización.

Con este moderno aparato le deseamos lo mejor.

El Fabricante

TABLA DE MATERIAS	Pagina
Precauciones de uso	2
Instrucciones para la eliminación de residuos - Nuestra política de protección medioambiental	2
Apertura del pulsador para abrir la gaveta	3
Antes de la primera utilización	3
Sistema de Calentamiento	4
Cajón calentaplatos	4
Ajustes de funcionamiento	4
Tiempos de calentamiento	4
Descongelación	4
Fermento	4
Calientaplatos	4
Cocción lenta	5
Advertencias para la cocción lenta	5
Limpieza y mantenimiento	6
Placa frontal y cuadro de control	6
Compartimento interior	6

TABLA DE MATERIAS	Pagina
Qué hacer en caso de avería	6
Instalación del aparato	6
Herramientas necesarias	7
Embalaje	7
Requerimientos eléctricos	7
Elección de la ubicación de la gaveta	7
Pasos para la instalación	7
Datos técnicos	8
Notas de Instalación	8
Requerimientos Eléctricos	9
Information Général	9
Conexión Eléctrica	9
Procedimiento de instalación	10

**INSTRUCCIONES PARA EL USUARIO:**

incluyen las recomendaciones de uso, una descripción de los mandos y los procedimientos correctos de limpieza y cuidado del aparato.

**INSTRUCCIONES PARA LA INSTALACIÓN:**

dirigidas al técnico cualificado encargado de la instalación, la puesta en marcha y el ensayo del aparato.

Precauciones de uso

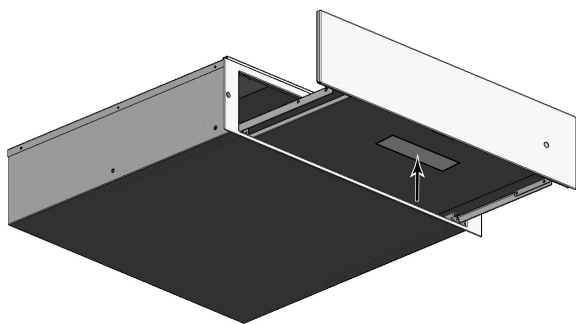
Este manual constituye parte integrante del aparato. Cúidelo y guárdelo en un lugar accesible durante toda la vida útil del cajón calentaplatos.

Antes de utilizar el aparato, recomendamos leer este manual y todas las informaciones contenidas en el mismo. La instalación debe llevarse a cabo por parte de un técnico cualificado que actuará de acuerdo con las normativas aplicables. Este aparato es para uso doméstico y se ajusta a las directivas CE actualmente vigentes. EL FABRICANTE SE EXIME DE TODA RESPONSABILIDAD EN CASO DE UTILIZACIÓN DIFERENTE DE LA ARRIBA INDICADA. MANTENGA SIEMPRE ESTAS INSTRUCCIONES PARA EL USO AL ALCANCE DE LA MANO Y, EN CASO DE FUTURO TRASPASE DEL APARATO, ENTRÉGUESELAS A SU NUEVO USUARIO.

NO OBSTRUIR JAMÁS LAS ABERTURAS Y RENDIJAS PREVISTAS PARA LA VENTILACIÓN Y LA DISPERSIÓN DEL CALOR.

LA PLACA DE IDENTIFICACIÓN, EN LA QUE FIGURAN LOS DATOS TÉCNICOS, EL NÚMERO DE SERIE Y LA MARCA, SE HALLA EN UNA POSICIÓN VISIBLE EN EL BLOQUE CALEFACTOR. No eliminar nunca la etiqueta de datos.

UBICACIÓN DE LA PLACA DE CARACTERÍSTICAS



ADVERTENCIA

NO UTILIZAR NUNCA ESTROPAJOS ABRASIVOS, METÁLICOS O RASQUETAS PUNTIAGUDAS QUE PODRÍAN DAÑAR LA SUPERFICIE. EN CASO DE NECESIDAD, UTILIZAR PRODUCTOS ESTÁNDAR NO ABRASIVOS Y AYUDARSE CON UTENSILIOS DE MADERA O DE PLÁSTICO. ACLARAR A FONDO Y SECAR CON UN PAÑO SUAVE O UNA GAMUZA.

Instrucciones para la eliminación de residuos - Nuestra política de protección medioambiental

Nuestros productos se embalan utilizando exclusivamente materiales no contaminantes, no dañinos para el medio ambiente y reciclables. Pedimos a los usuarios que colaboren, eliminando los embalajes de forma adecuada. Contacte con su revendedor o con las organizaciones locales competentes para pedir las direcciones de las estructuras de recogida, reciclaje y tratamiento.

No tire nunca el embalaje o parte del mismo en las zonas cercanas. Las partes del embalaje, y en particular las bolsitas de plástico, constituyen un posible riesgo de sofoco para los niños. También su aparato viejo ha de ser eliminado de forma correcta.



IMPORTANTE

Entregar el aparato a la organización local autorizada para la recogida de los aparatos eliminados. Una eliminación correcta permite recuperar inteligentemente materiales valiosos.

Cuando un aparato ya no se utiliza, hay que desenchufarlo de la toma de corriente y quitar todos los hilos eléctricos conductores para que dejen de constituir un peligro para los niños.



IMPORTANTES MEDIDAS DE SEGURIDAD

Cuando se usen aparatos, las precauciones básicas de seguridad deberían ser siempre cumplidas incluyendo las siguientes:

1. Lea todas las instrucciones.
2. No toque las superficies calientes. Use las asas o manillas.
3. Con el fin de protegerse de una descarga eléctrica, no sumerja cables, enchufes dentro del agua u otro líquido.
4. Es necesaria una atenta supervisión cuando cualquier aparato es usado por niños o cerca de ellos.
5. Desconecte el enchufe cuando no esté en uso y antes de limpiarlo. Déjelo enfriar antes de poner o quitar ciertas partes.
6. No opere ningún aparato con un cable o enchufe dañado o después que el mismo no haya funcionado o haya sido dañado de alguna manera. Devuelva el aparato al centro de servicio técnico autorizado más cercano para que lo examine, repare o ajuste.
7. El uso de dispositivos de accesorios que no estén recomendados por el fabricante del aparato podría causar daños.
8. No lo utilice la intemperie.
9. No deje que el cable cuelgue sobre el borde de una mesa o mostrador, o que esté en contacto con superficies calientes.

10. No coloque el artefacto sobre o cerca de un quemador a gas o eléctrico o en un horno caliente.
11. Debe tener mucho cuidado al mover un aparato que contenga aceite caliente u otros líquidos calientes.
12. Siempre conecte el enchufe al aparato primero, y luego enchúfelo al tomacorriente de la pared. Para desconectarlo, gire cualquier selector a la posición de "apagado", luego remueva el enchufe del tomacorriente de la pared.
13. No use este aparato para otro uso que no sea el previsto.
14. El interior del aparato puede alcanzar temperaturas de 170 F (77 C) dependiendo de la temperatura seleccionada y del tiempo de operación. Si fuese necesario, use guantes para retirar objetos de la gaveta.
15. No se apoye o se sienta sobre la gaveta de calentamiento cuando esté abierta, esto podría causar daños a la guía telescópica. El peso máximo de carga de la gaveta de calentamiento es de 22 libras (10 kg).
16. No conserve envases plásticos o cualquier objeto inflamable dentro del aparato. Tales objetos constituyen un riesgo de incendio una vez que la gaveta de calentamiento esté encendida.
17. **Conserve estas instrucciones.**

LIMPIEZA:

- No utilice bajo ningún concepto un limpiador por chorro de vapor. El vapor podría alcanzar los elementos bajo tensión y provocar un cortocircuito. La precisión del vapor podría también dañar de forma permanente las superficies y los elementos del aparato. El fabricante se exime de toda responsabilidad por este tipo de daños.
- Recomendamos encarecidamente respeten las instrucciones de limpieza indicadas en el aparato "Limpieza y mantenimiento".



ATENCIÓN

REPARACIONES:

Las operaciones de montaje, mantenimiento o reparación deben realizarse exclusivamente por parte de personal especializado. Un trabajo de instalación, mantenimiento o reparación realizado de forma no conforme a normas puede provocar peligros para el usuario con relación a los cuales el fabricante se exime de toda responsabilidad.

Durante el periodo de garantía, cualquier reparación del aparato deberá ser realizada única y exclusivamente por el Servicio de asistencia técnica autorizado por el fabricante; de lo contrario, perdería eficacia el derecho a la garantía para posibles daños posteriores.



ATENCIÓN

Antes de realizar las operaciones de instalación, mantenimiento o reparación, desconecte el aparato de la instalación eléctrica. El aparato está desconectada de la alimentación eléctrica si:

- el fusible de la instalación doméstica ha saltado;
- la clavija del aparato está desenchufada de la red eléctrica;
- para desconectar el aparato de la red, no tire del cable de alimentación, sino extraiga manualmente la clavija. El fabricante se exime de toda responsabilidad en caso de accidentes o de daños causados por la no conformidad a las normativas ya mencionadas o provocados por la alteración no autorizada incluso de una sola parte del aparato, o bien por el uso de piezas de repuesto no originales.

INSTRUCCIONES PARA EL USUARIO:



Apertura del pulsador para abrir la gaveta

- Para abrir la gaveta presione la parte frontal de la misma.
- Tome la gaveta y hálala hacia usted hasta que esté completamente abierta.

Cierre del cajón

- Para cerrar el cajón, acompañelo en la dirección de cierre y presione la placa frontal hasta que se enganche. Retire la mano.

Antes de la primera utilización

No abandone nunca los restos de embalaje en casa. Separe los materiales residuales del embalaje por tipo y entréguelos al centro de tratamiento más cercano.

Antes de utilizar el aparato por primera vez, límpielo con un paño húmedo y séquelo cuidadosamente tal como se describe en el apartado "Limpieza y mantenimiento".

Calentar el cajón vacío durante al menos 2 horas. Para ello, regular la temperatura a 170 F (77 C). Durante este tiempo de calentamiento, asegúrese de que la cocina está bien aireada. Los elementos de metal han sido tratados con un producto de protección específico.

Este producto podría causar malos olores la primera vez que se calienta el cajón. Estos olores y posibles humos desaparecen rápidamente y no han de atribuirse a una conexión no conforme a normas o a un defecto del aparato.

Sistema de Calentamiento

El aparato está dotado de un sistema de ventilación de aire caliente. Un ventilador distribuye el calor de la resistencia de calentamiento de forma óptima dentro del cajón.

El termostato permite determinar y controlar la temperatura deseada para los platos.

La circulación del aire calienta los platos de manera uniforme y rápida.

Una rejilla de protección impide que se toquen accidentalmente las resistencias de calentamiento y el ventilador.

Cajón calentaplatos

Ajustes de funcionamiento

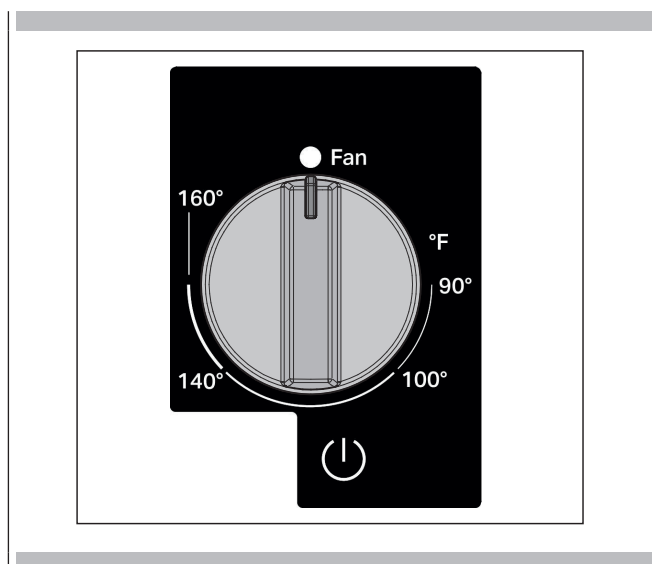
Abra el cajón. Gire la manilla para regular la temperatura deseada y pulse el botón rojo. Se encenderá la luz testigo roja del botón, que permanecerá encendida durante todo el funcionamiento. Para apagar el aparato, gire la manilla a la posición 0 y pulse el botón. La luz testigo roja se apagará.

Tiempos de calentamiento

Los tiempos de calentamiento dependen de varios factores:

- material y espesor de los platos;
- cantidad de platos introducidos;
- disposición de los platos introducidos;
- ajuste de la temperatura.

Por lo tanto, no se pueden facilitar indicaciones absolutas. Ajustando la temperatura en 60 C y para lograr un calentamiento homogéneo, se pueden considerar los siguientes valores indicativos:



PLATOS	TIEMPO (MIN)
PLATOS PARA 6 PERSONAS	30-35

Podrá deducir cuáles son los ajustes óptimos para sus necesidades sobre la base de su experiencia práctica.

Descongelación

La función de descongelación utiliza únicamente la ventilación forzada sin ningún elemento de calentamiento activo.

Procedimiento

- Presione el botón ON / OFF para activar el ventilador interno.
- Girar la perilla en posición de descongelación.

Fermento

La función de fermento mantiene la temperatura del cajón entre 77 F (25 C) y 90 F (30 C).

Procedimiento

1. Precalentar el cajón durante 5 minutos girando la perilla en la posición 90 F (30 C).
2. Colocar el amasijo en el centro del cajón envolviéndolo con un trapo levemente húmedo.

Calientaplatos

Alimentos recomendados para ser mantenidos calientes: carne, pollo, pescado, salsas, verdura, guarniciones y sopas.

- Para evitar que el alimento desborde en el cajón no llenar excesivamente las vajillas.
- Colocar las vajillas en el cajón y cerrarlo con precaución para que no salgan eventuales líquidos.
- Se recomienda no calentar el alimento durante intervalos de tiempo superiores a una hora para evitar que los alimentos pierdan las sustancias nutritivas.
- Cubrir los alimentos húmedos y líquidos con una tapa o una película resistente a las altas temperaturas. De esta manera se evita que salga humedad, se forme agua de condensación y se deposite humedad fuera de las vajillas.
- No cubrir las comidas asadas o fritas que deben permanecer crujientes. Mantener calientes estas comidas con temperaturas elevadas.

Procedimiento

1. Colocar las vajillas en el cajón.
2. Encender el cajón y programar la perilla del termostato entre 100 F (40 C) y 140 F (60 C) en base a la temperatura deseada y precalentar el aparato por 10 minutos.
3. Colocar el alimento en las vajillas precalentadas
4. Cerrar nuevamente el cajón. El indicador luminoso ON permanece encendido y el aparato calienta.

Desactivación

Colocar la perilla en posición OFF. Sacar las vajillas del cajón utilizando un trapo o guantes específicos.

NOTA: Nunca transfiera las vajillas calientes directamente de la superficie de cocción caliente a la base de vidrio del cajón térmico. El fondo de vidrio puede dañarse.

Cocción lenta

La función de cocción lenta es ideal para cocinar carne tierna que debe resultar poco cocida o jugosa. Gracias a este método de cocción, la carne en su interior permanece siempre rosa. Sin embargo esto no significa que la carne esté cruda o poco cocida.

Además de conservar los jugos en su interior esta función permite mantener fácilmente la carne caliente.

Vajillas adecuadas para el uso: de vidrio, porcelana o cerámica con tapa.

Procedimiento

1. Precalentar el cajón calentaplatos con la vajilla elegida al máximo nivel durante 15 minutos.
2. Calentar un poco de mantequilla o de aceite en una sartén. Dorar bien la carne por el tiempo indicado en la tabla y luego colocar inmediatamente todo en la olla precalentada colocando la tapa.
3. Programar el termostato en 140 F (60 C) por el tiempo necesario para terminar la cocción.

Tabla

La función de cocción lenta es adecuada para todas las partes tiernas de buey, cerdo, ternera, cordero, caza y carne de ave. Los tiempos de doradura inicial y de prosecución de la cocción dependen de las dimensiones de las tajadas de carne.

Los parámetros de tiempo se refieren al caso en que la carne se coloque en una sartén con mantequilla o aceite ya caliente.

COMIDA	DORADURA INICIAL	Prosecución de la cocción en el cajón
Tajadas pequeñas de carne		
Tiras de carne	aproximadamente 1 - 2 minutos	20 - 30 minutos
Bistecs pequeños o medallones	aproximadamente 1 - 2 minutos por lado	35 - 50 minutos
Tajadas de carne de tamaño medio		
Filete 0.80-1.75lbs (400-800g)	aproximadamente 4 - 5 minutos por lado	75 - 120 minutos
Asado magro 1.30-2.20lbs (600-1000g)	aproximadamente 10 - 15 minutos por lado	120 - 180 minutos
Tajadas grandes de carne		
Filete a partir de 2.00lbs (900g)	aproximadamente 6 - 8 minutos por lado	120 - 180 minutos
Rosbif 2.20-2.65lbs (1000-1200g)	aproximadamente 8 - 10 minutos por lado	210 - 300 minutos

Limpieza y mantenimiento

La limpieza es generalmente el único tipo de mantenimiento necesario.

ATENCIÓN

Antes de empezar la limpieza, desconecte el aparato de la alimentación de red. Extraiga la clavija del enchufe o desactive el circuito de alimentación del aparato.

ADVERTENCIA

No utilice detergentes agresivos ni productos abrasivos, esponjas abrasivas u objetos puntiagudos, ya que podrían manchar el equipo.

No utilice nunca chorros de vapor para limpiar las partes internas del aparato.

Placa frontal y cuadro de control

Basta con limpiar el aparato con un paño húmedo. Si estuviera muy sucio, echar unas gotas de detergente en el agua de limpieza. Secar el aparato con un paño seco.

Las placas frontales de acero inoxidable de los calentaplatos pueden limpiarse con detergentes especiales específicos. Estos productos frenan la formación de suciedad en la superficie del cajón. Aplique una mínima cantidad de producto con un paño suave en toda la superficie a tratar.

Compartimento interior

Limpiar el compartimento interior con un paño húmedo después de cada uso. Si estuviera muy sucio, echar unas gotas de detergente en el agua de limpieza.

Secar las superficies con un paño seco. Evitar que fluya agua por los orificios de ventilación.

Esperar a que el cajón esté completamente seco antes de utilizarlo nuevamente.

Qué hacer en caso de avería

ATENCIÓN

Cualquier tipo de reparación tiene que efectuarla sólo personal especializado y cualificado. Toda reparación no realizada por personal autorizado por el fabricante podría resultar peligrosa.

Indicamos a continuación algunas averías que el usuario puede solucionar sin que sea necesaria la intervención del Servicio de Asistencia.

Los platos no se calientan bastante? Compruebe si:

- el aparato está encendido;
- se ha ajustado la temperatura correcta;
- las aberturas de ventilación han quedado obstruidas por platos o platos soperos de gran tamaño;
- los platos se han calentado durante un tiempo suficientemente largo.

Los platos no se calientan? Compruebe si:

- se oye un ruido de ventilador:
- Si la cacerola está en función, significa que la resistencia de calentamiento está defectuosa.
- Si el ventilador no funciona, significa que está defectuoso.
- el fusible de la instalación doméstica ha saltado.

INSTRUCCIONES PARA LA INSTALACIÓN



Instalación del aparato

IMPORTANTE: Guarde estas instrucciones para el uso del inspector eléctrico local.

INSTALADOR: Por favor, deje este manual a propietario para futuras consultas.

PROPIETARIO: Por favor, conserve este manual para futuras consultas.

ATENCIÓN

Si no se siguen exactamente las siguientes instrucciones de este manual, puede provocarse un incendio o explosión causando daños a la propiedad, heridas a la persona o la muerte.

Por favor lea estas instrucciones COMPLETA Y CUIDADOSAMENTE. Ellas le ahorrarán tiempo y esfuerzo y le ayudarán a asegurar un óptimo funcionamiento de la gaveta. Asegúrese de que respeta todas las ADVERTENCIAS. Estas instrucciones de instalación están concebidas par el uso de un instalador cualificado.

- Debe asegurarse de que la instalación es adecuada y conforme con el Código eléctrico americano (National Electrical Code), ANSI/NFPA 70 (última edición**) o con el Código eléctrico canadiense (Canadian Electrical Code), C 22.1 – 1982 y C22.2 N° 01982 (o la última edición)*** y con todos los códigos y ordenanzas locales.

Estos deben ser cuidadosamente seguidos en todo momento.

Herramientas necesarias

Para instalar su nuevo cajón necesitará las siguientes herramientas:

- Cinta de medir y una regla o un metro
- Un lápiz
- Un destornillador Phillips
- Un nivel
- Alicates y pelador de cales
- Una sierra perforadora de 1-pulgada
- Sierra de mano o sierra de vaivén
- Una sierra perforadora de 1"
- Taladro y brocas
- Guantes y gafas de seguridad
- Voltímetro (0-250VAC)

Embalaje

Retire toda la cinta y el empaque antes de usar la gaveta de calentamiento.

Destruya el envoltorio después de desembalar la gaveta siguiendo las instrucciones vigentes en su localidad. Nunca permita que los niños jueguen con el material de embalaje.

Requerimientos eléctricos

La gaveta de calentamiento debe ser suministrada con el adecuado voltaje y frecuencia. La gaveta está fabricada para ser conectada a una fase sencilla de tres cables, 120 Voltios, 60Hz, suministro eléctrico AC.

Elección de la ubicación de la gaveta

Seleccione cuidadosamente el lugar donde la gaveta de calentamiento será ubicada.

Para su uso conveniente, debería ser colocada en la cocina. Asegúrese que la energía eléctrica pueda ser suministrada en el lugar seleccionado.

Pasos para la instalación

Las siguientes páginas proporcionan la información necesaria para la instalación adecuada del aparato y están ordenadas así:

- Información Técnica
- Instalación de las Dimensiones del Cortocircuito, los Accesos Requeridos y las Instrucciones para el Ensamblaje.
- Electrical Supply and Wiring Requirements
- Final Checklist

Datos técnicos

Suministro Eléctrico	
120 Volts 60 Hz	
Amperes	Watts
3,3	400

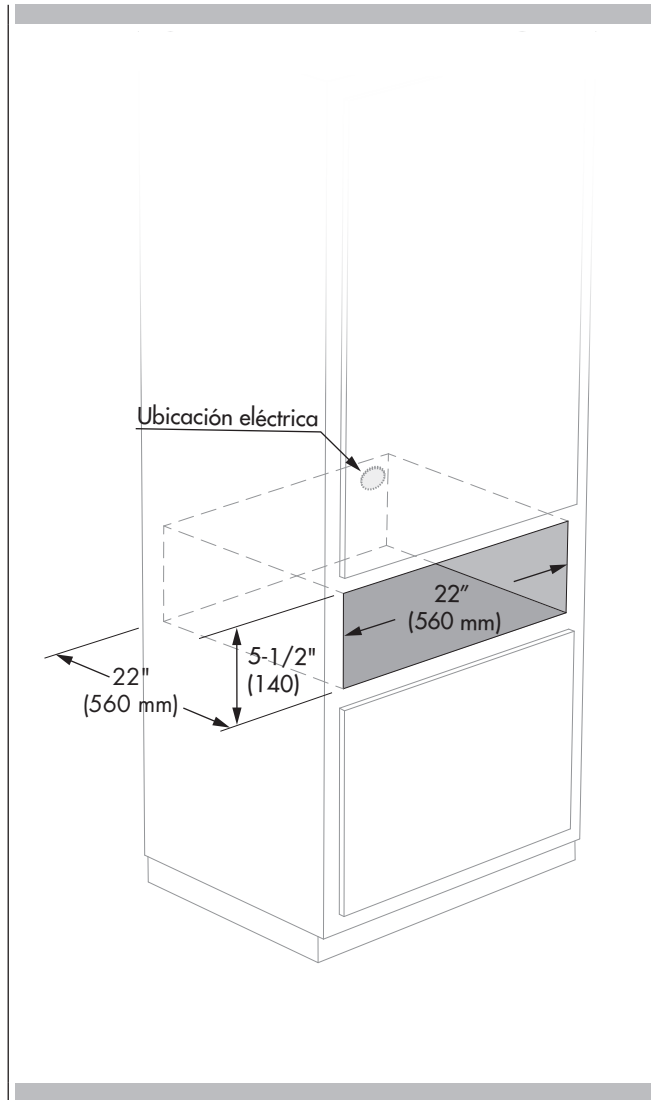
Notas de Instalación

1. La superficie de apoyo de la gaveta de calentamiento debe ser una plataforma de madera contrachapada de un mínimo de 3/4" (2cm) de grosor. Esta debe soportar 100 libras. La plataforma debe ser sólida, estar nivelada y alineada con la parte inferior del cortocircuito del gabinete.
2. Tenga cuidado extremo cuando mueva o instale la gaveta. Esta es muy pesada. **NO LEVANTE LA GAVETA DE CALENTAMIENTO POR EL ASA.**
3. Sea muy cuidadoso cuando mueva o instale la gaveta de calentamiento con el fin de evitar daños al marco o a los gabinetes.
4. Para mejores resultados de funcionamiento asegúrese que la gaveta de calentamiento esté nivelada antes de completar la instalación.

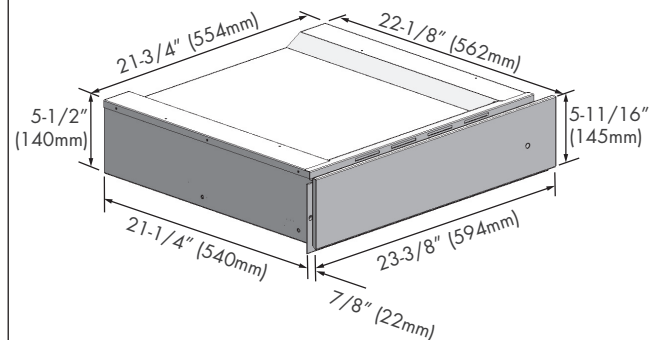
No hay manera de nivelarla después que haya sido instalada. Si la instalación no está nivelada, la puerta pudiese quedar abierta o no estar fijamente sellada permitiendo que el calor se escape.

NOTA: Si instala la gaveta de calentamiento debajo de otro producto, refiérase a la información sobre el mismo para saber sobre requerimientos de instalación.

5. Tenga cuidado al colocar la gaveta. **NO** apriete el conducto que está entre la parte trasera de la gaveta.



EMPUJAR



ADVERTENCIA

Antes de instalar o quitar el cajón, apague en OFF el panel de servicio. Cierre el panel de servicio para evitar que llegue corriente debido a que se ha encendido ON accidentalmente.

Ajuste la gaveta al gabinete con seguridad usando los tornillos suministrados.

El incumplimiento de esto puede provocar que el cajón se mueva o se vuelque durante el uso y provoque daños al cajón y a los muebles o heridas personales.

Sepa como se desconecta la corriente del cajón del cortocircuito y de la caja de fusibles en caso de emergencia.



PRECAUCIÓN

El aparato es pesado y para moverlo requiere como mínimo dos personas o el equipamiento apropiado.

Requerimientos Eléctricos

Information Général

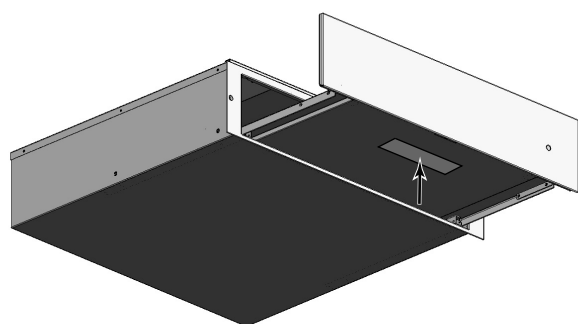
Este electrodoméstico debe suministrarse con la tensión y la frecuencia adecuadas y debe conectarse a un circuito individual con una toma de tierra, protegido por un interruptor de circuito o por fusibles, que tenga la tensión de corriente indicada en la placa de datos técnicos del aparato. Le recomendamos que contacte con un electricista cualificado para que lleve a cabo la conexión de la placa de cocción. Cuando el electricista haya finalizado la instalación de la placa de cocción, haga que le muestre dónde puede desconectarla. Controle con la empresa de servicio público local las normativas que se aplican en su área. Si no instala la placa de cocción de acuerdo con las normativas vigentes, podría provocar situaciones de peligro.

Si no hubiera normativas al respecto, la placa de cocción debe instalarse en conformidad con el Código eléctrico americano (National Electrical Code), ANSI/NFPA n. 70 (última edición).

En Canadá, la instalación de esta placa de cocción debe cumplir con las normativas del Código eléctrico canadiense (Canadian Electrical Code). Asegúrese de que la instalación de este producto en una casa móvil cumple con el Título 24 CFR, sección 3280 de las Normas de seguridad y construcción de viviendas prefabricadas o móviles estadounidenses (Manufactured Home Construction and Safety Standards).

Si estas normas no son aplicables, debe cumplir las normas para casas prefabricadas: Manufactured Home Installations, ANSI A225.1 y Manufactured Home Installations, Sites and Communities y ANSI/NFPA 501 A o bien las normas locales vigentes.

POSICIÓN DE LA PLACA DE SEÑALIZACIÓN



Conexión Eléctrica

Para utilizar las partes eléctricas de la placa de cocción es necesario que estén conectadas a un suministro eléctrico y a un enchufe adecuados.

⚠ ADVERTENCIA



Peligro de descarga eléctrica. El aparato debe conectarse a un enchufe de 3 clavijas con toma de tierra.

- No extraiga la clavija de la toma de tierra.
- No utilice un adaptador.
- No utilice alargadores.

La inobservancia de estas instrucciones puede derivar en muerte, incendio o descarga eléctrica.

⚠ IMPORTANTE

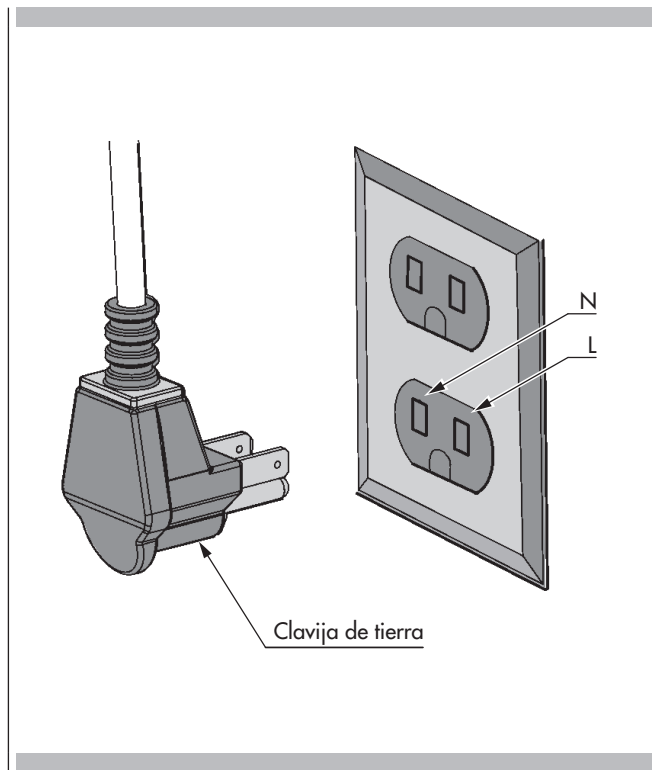
PARA SU SEGURIDAD PERSONAL ESTE APARATO DEBE ESTAR DEBIDAMENTE CONECTADO A UNA TOMA A TIERRA.

El cable del suministro eléctrico de este aparato está dotado de un enchufe de 3 clavijas (con toma de tierra) que debe utilizarse con un enchufe de pared con toma de tierra (3 agujeros) y con una tensión doméstica estándar de 120 V y una frecuencia de 60 Hz. Si no dispone de un enchufe de 3 clavijas con toma de tierra, encargue a un técnico electricista que cambie el enchufe.

Se puede colocar un adaptador de tierra para convertir el enchufe estándar hasta que pueda ser cambiado. El uso del adaptador es una solución temporal.

El electricista deberá probar el enchufe para asegurarse de que cumple los requisitos.

No corte o retire la tercera clavija (la toma de tierra) del cable del suministro de energía eléctrica, bajo ninguna circunstancia.



Procedimiento de instalación

Antes de comenzar a ensamblar las gavetas del aparato, asegúrese de que haya suficiente espacio para que encajen la gaveta y el aparato.

Las dimensiones precisas para la instalación están indicadas en pulgadas y milímetros.

Instale un bloque contra la pared trasera del gabinete. Verifique que los tornillos estén asegurados adecuadamente y que no penetren el cableado eléctrico o la tubería.

- Desconecte el tomacorriente.
- Inserte el enchufe en el tomacorriente de tres puntas con conexión a tierra (Vea "Los Requerimientos de Electricidad y Conexiones a Tierra" para especificaciones eléctricas).
- Coloque la gaveta de manera tal que esté directamente centrada y que la lámina de la gaveta de calentamiento ensamble dentro del cortocircuito hasta que esté alineado con el gabinete.
- Evite apretar el cable de electricidad entre la unidad y la pared del gabinete.
- Abra la gaveta de calentamiento a su extensión completa y fije la estructura a la pared con los dos tornillos suministrados.

ADVERTENCIA

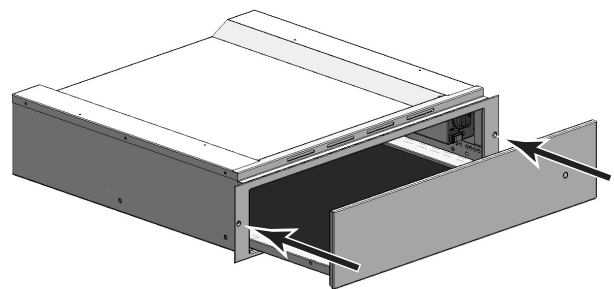
- Si la línea de agua fría se interrumpe con empaques de plástico, no con juntas de estanquidad metálicas, conexiones de unión o materiales aislantes, NO utilice para la puesta a tierra.
- NO conecte a tierra a la tubería del gas.
- NO tenga un fusible en el circuito de NEUTRO o de TIERRA.
- Un fusible en el circuito de NEUTRO o en el de TIERRA puede provocar descargas eléctricas.
- Consulte con un electricista cualificado en el caso de que tenga alguna duda si su aparato está bien conectado a tierra.
- Equivocarse al seguir estas instrucciones puede provocar heridas graves o la muerte.

PRECAUCIÓN

No repare o reemplace ninguna parte del aparato si no está específicamente recomendado en el manual. Todas las demás operaciones de mantenimiento tiene que realizarlas un técnico cualificado. Para reducir el riesgo de heridas personales o daños al aparato.

Nunca modifique o altere la construcción del aparato eliminando paneles, forros de hilos, tornillos o cualquier otra parte del producto.

INSTALACIÓN



- Vuelva a conectar la electricidad al tomacorriente.
- Encienda la gaveta de calentamiento. Cíerrela por 1 minuto aproximadamente y luego chequee para verificar el calor.

FULGOR
MILANO

————— SINCE 1949 —————